

## **TABLE OF CONTENTS**

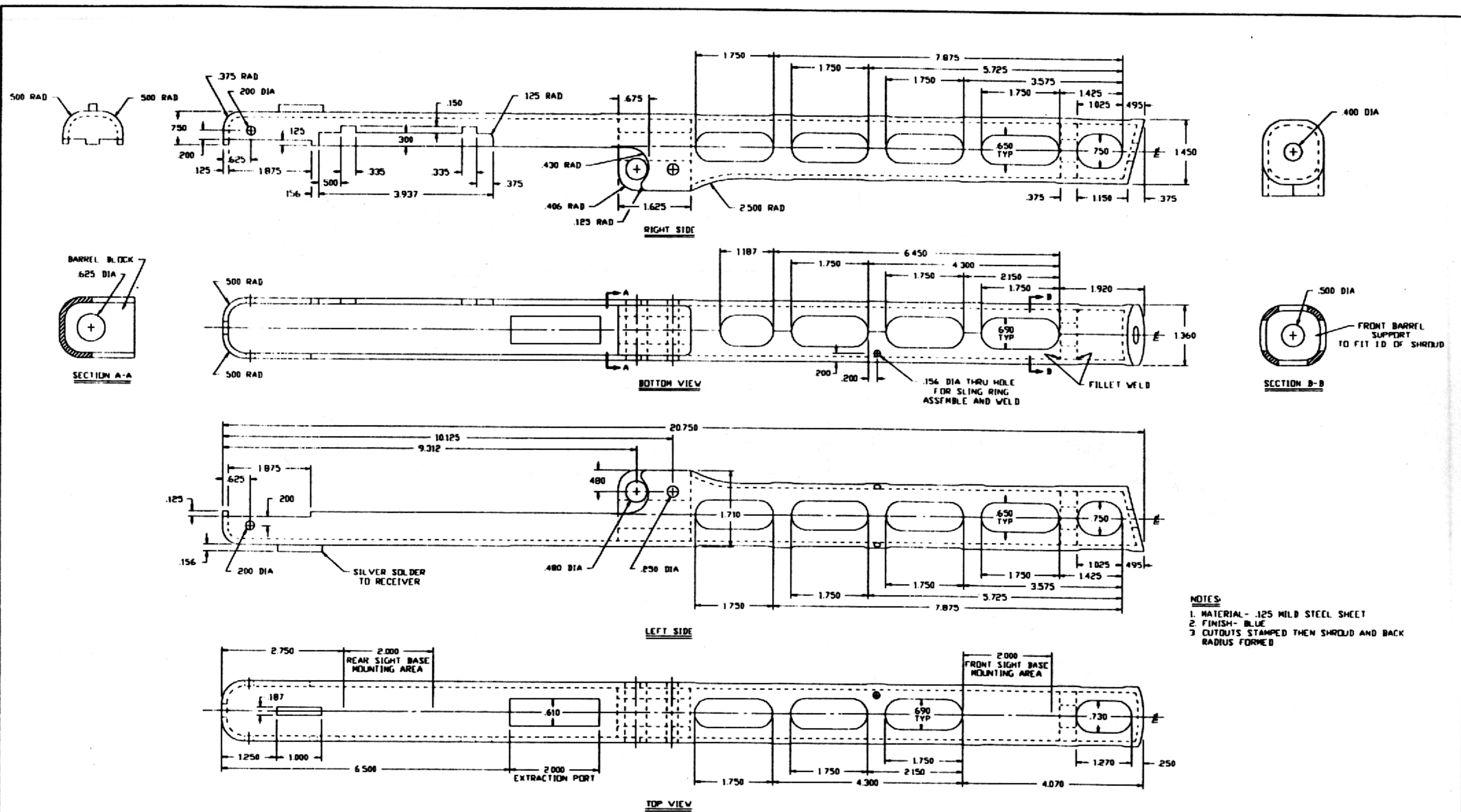
**1- scale print of RUSSIAN PPSH-41**

**1- scale print of YUOGOSLAV 49/57**

**1- scale print of AMERICAN 180**

**1- scale print of BROWNING 1919A4/A6  
right and left sides**

**PARTS SUPPLIERS ON LAST PAGE**

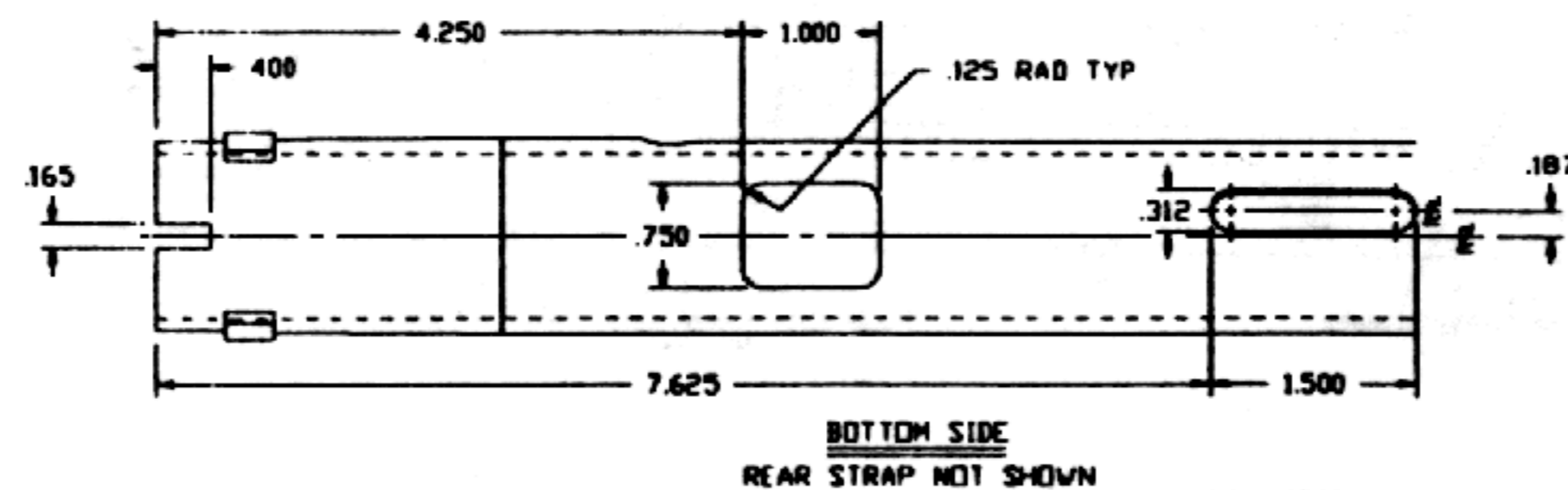
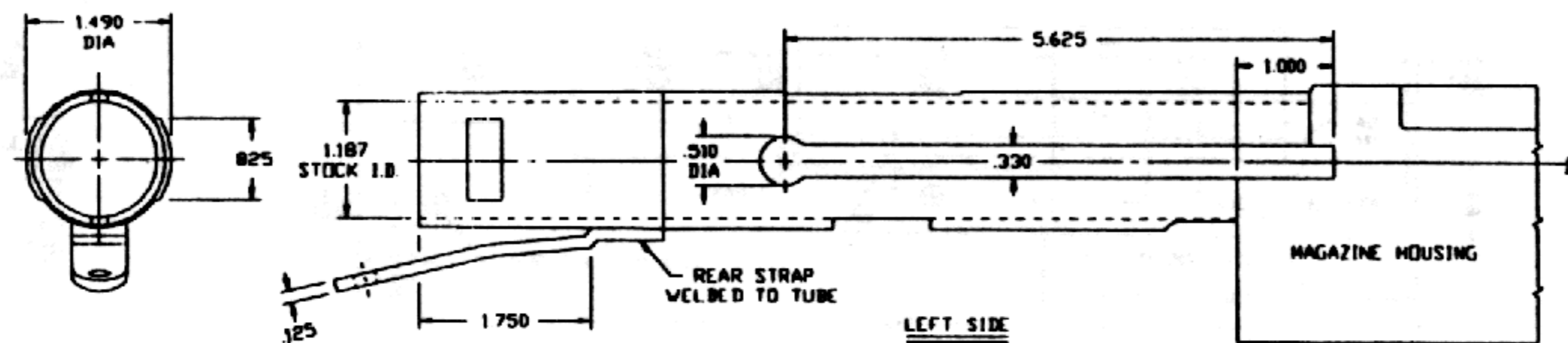
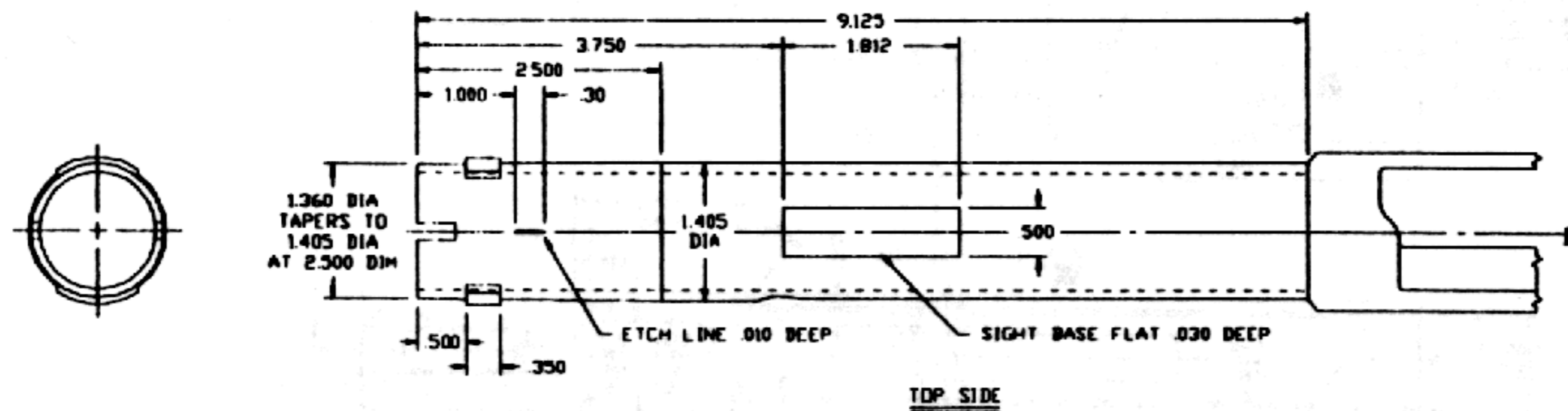


- NOTES**
1. MATERIAL - .125 MILD STEEL SHEET
  2. FINISH - BLUE
  3. CUTOUTS STAMPED THEN SHROUD AND BACK RADIUS FORMED

RESTRICTED MATERIAL

CONFIDENTIAL

SCALE: FULL	MATERIAL: SEE NOTE 1	CRD	TOLERANCES
DATE	FINISH: SEE NOTE 2	DATE	DEC. 21. 50
TITLE: RUSSIAN SUBMACHINE GUN PPSH-41	REV.		DEC. 21. 50
			ANGLES: 3°



**CONFIDENTIAL**

**NOTES**

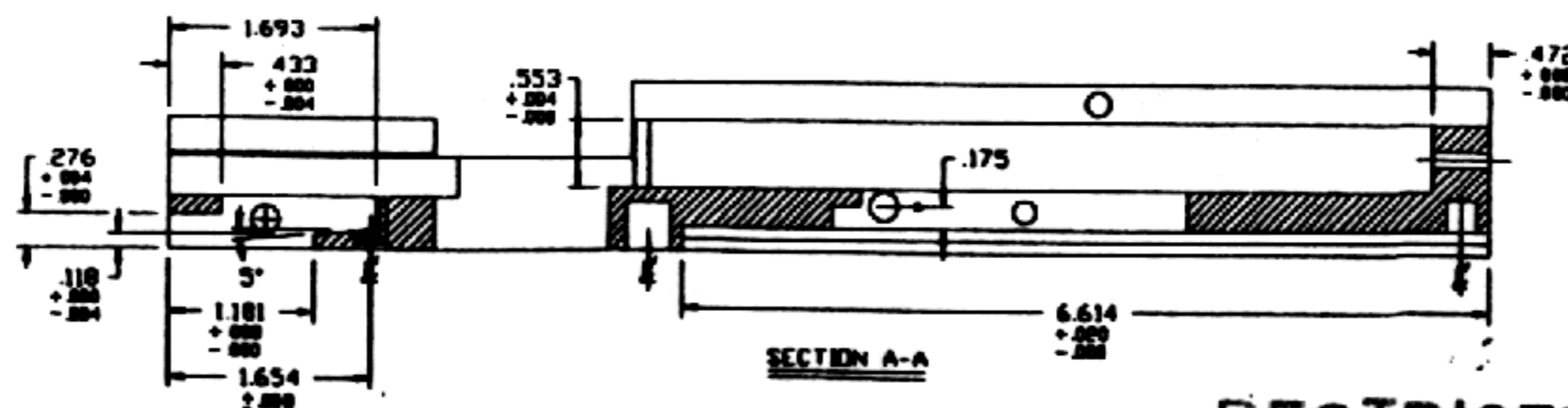
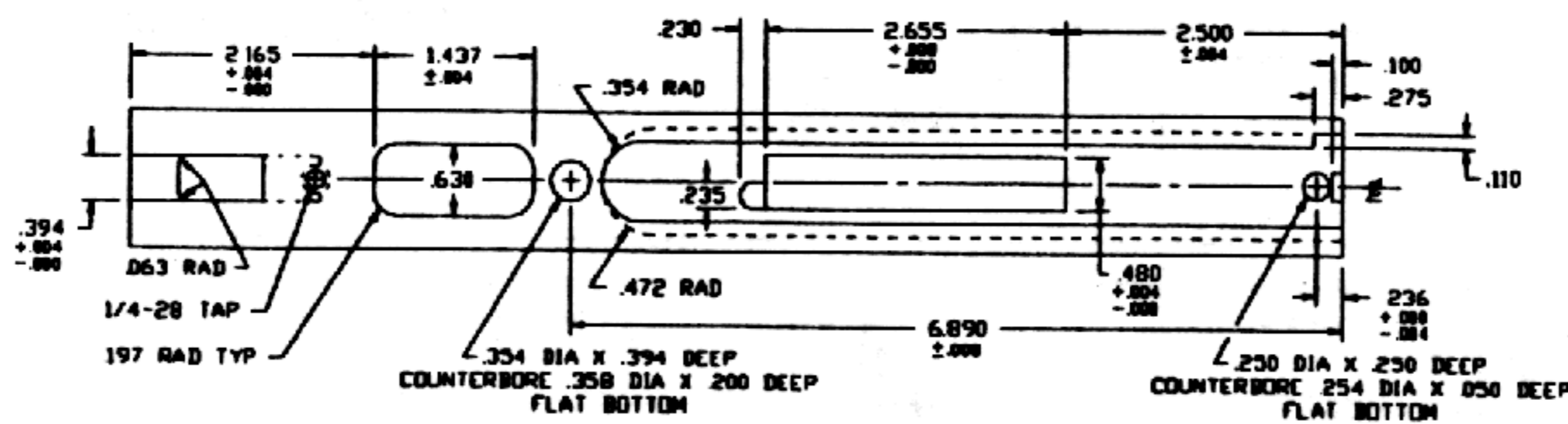
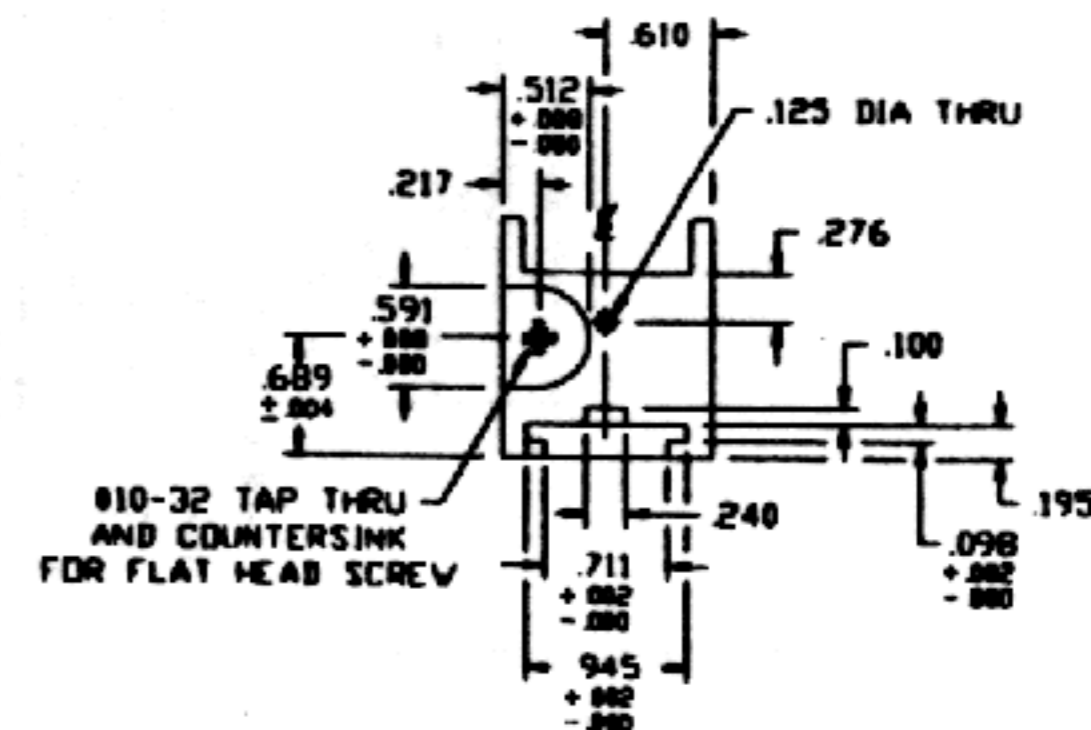
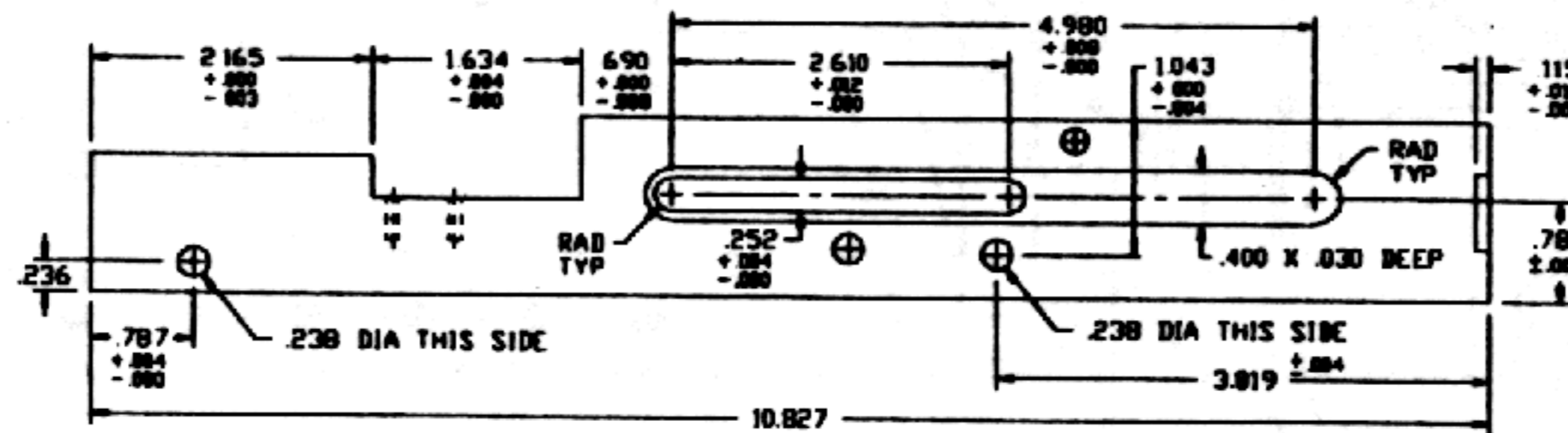
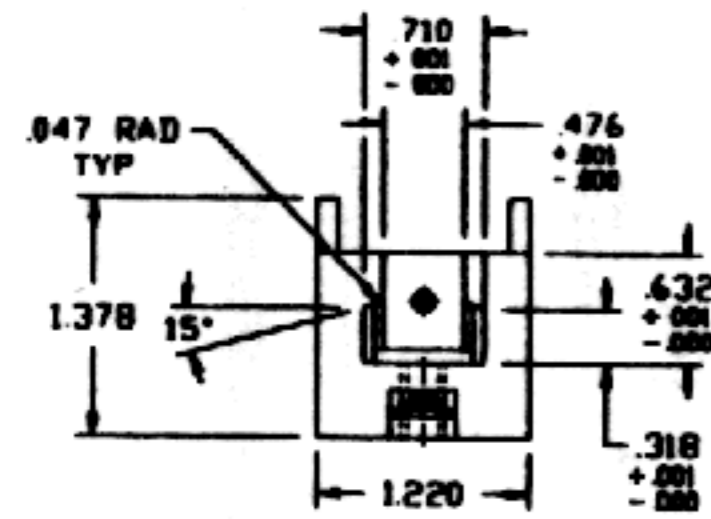
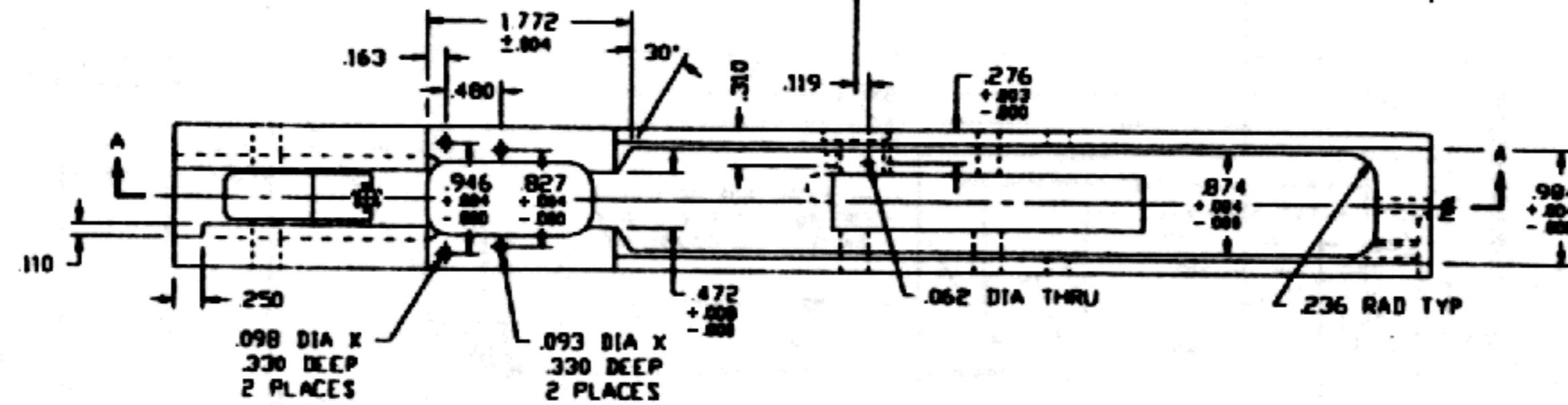
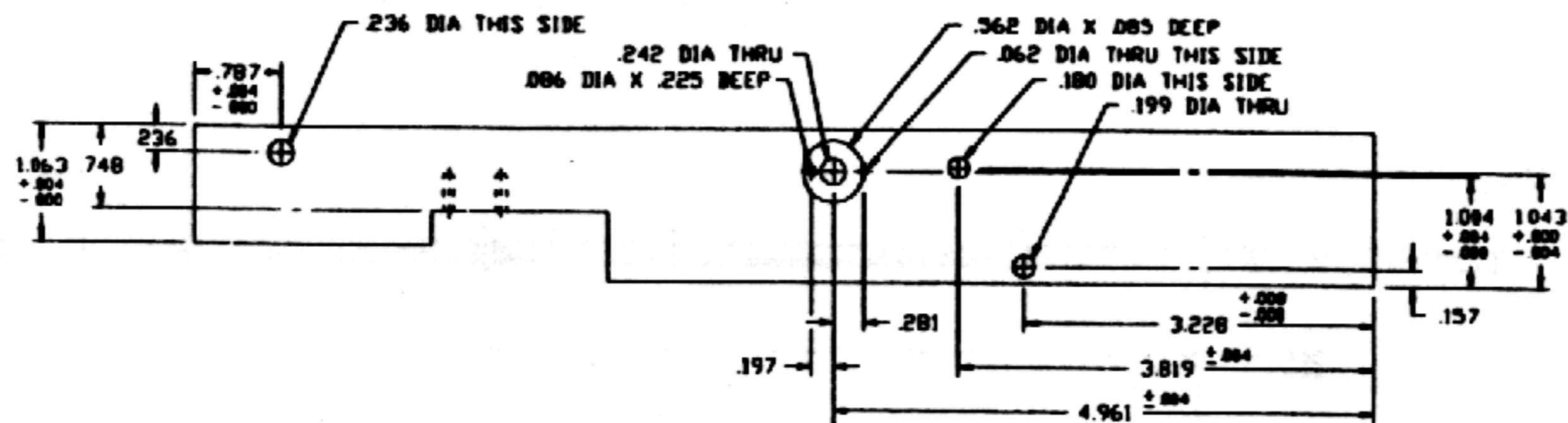
1. MATERIAL - 1.500 O.D. X 1.187 I.D. D.D.M. STEEL TUBE
2. FINISH - BLUE
3. CALIBER - 7.62 TOKAREV
4. THE ORIGINAL RECEIVER WAS THE FULL LENGTH OF GUN. IT WAS MADE FROM ROLLED STEEL AND WELDED FULL LENGTH. THE HOUSING WAS BRAZED IN PLACE AND ALL VOIDS WERE FILLED WITH BRASS.
5. THIS RECEIVER TUBE IS CUT TO A LENGTH AND BUTT WELDED TO EXISTING PORTION OF RECEIVER TUBE. FINAL OVERALL LENGTH TO BACK OF MAGAZINE HOUSING SHOULD BE 9.125.

**RESTRICTED MATERIAL**

**RESTRICTED MATERIAL**

SCALE	MATERIAL	DATE	TOLERANCES
FULL	SEE NOTE 1		DEC 21 1957
	FROM SEE NOTE 2		DEC 21 1957
TITLE	REV.		ANGLES ± 30°
YUGOSLAV 49/57 RECEIVER			





**CONFIDENTIAL**

NOTES:  
 1. MATERIAL - ALUMINUM 6061-T6  
 2. FINISH - ANODIZE, DYE BLACK

**RESTRICTED MATERIAL**

SCALE	FULL	MATERIAL	SEE NOTE 1	CR	TELEPHONE
DATE		FINISH	SEE NOTE 2	DATE	44-3886-1
FILE	AMERICAN 100 RECEIVER (FULL AUTO)			REV.	44-3886-1







## **LIST OF PARTS SUPPLIERS**

**wholesale guns and ammo, inc.  
232 blydenburgh rd.  
central islip, NY 11722**

**[www.gunsnammo.com](http://www.gunsnammo.com)**

**international military antiques , inc.  
p.o.box 256 millington ,NJ 07946**

**[www.ima-usa.com](http://www.ima-usa.com)**

**inter ordnance of america l.p.  
3305 westwood industrial drive  
monroe , NC 28110**

**[www.inter-ordnance.com](http://www.inter-ordnance.com)**

**sarco , inc.  
323 union st. p.o. box 98  
stirling , NJ 07980**

**jeffs shooters supply  
p.o.box 1054 trussville , AL 35173**

**rpb industries  
p.o.box 367 avondale est. GA 30002**