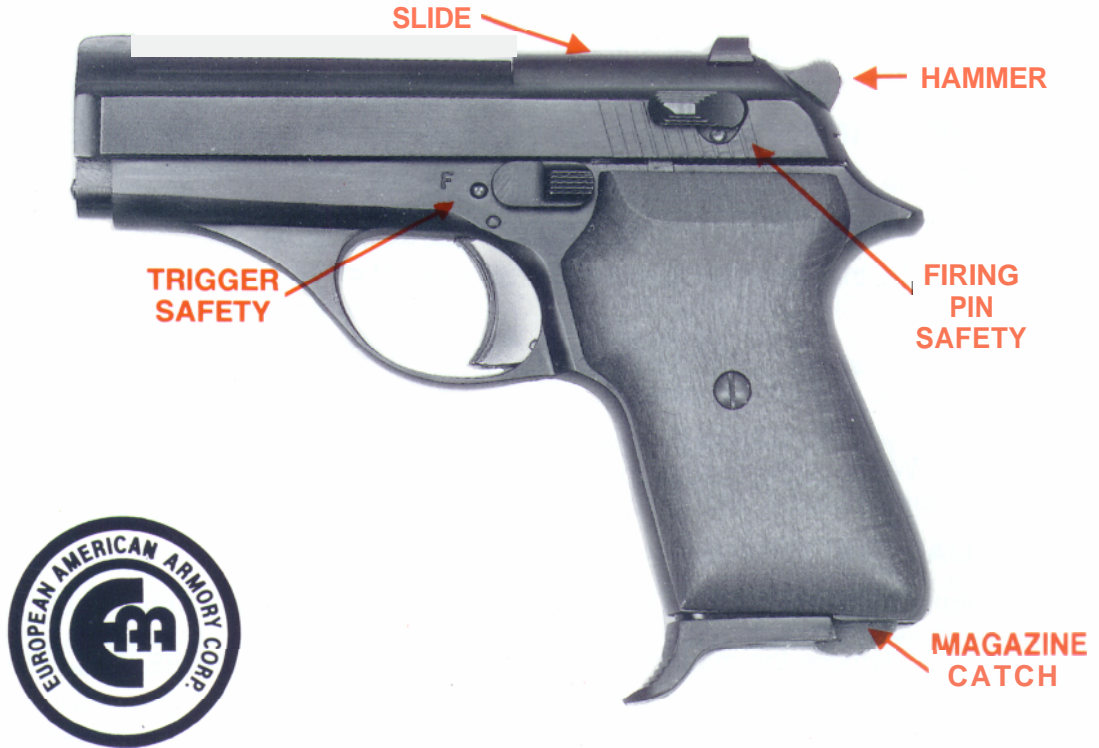


EA380

READ THIS OWNERS MANUAL BEFORE USING THIS FIREARM
Always keep it with the pistol. If you lend, give or sell this pistol be sure the manual goes with it. You can get a copy of this manual from:

EUROPEAN AMERICAN ARMORY CORP.
P.O. BOX 1299
SHARPES, FL. 32959



SEMI-AUTOMATIC PISTOL MODEL: EUROPEAN

Specification:

Caliber: .380ACP, .32ACP., .22LR!
Barrel: 3.88 inches
Overall: 7.38 inches
Weigh: 26 ounces

Capacity: .380&.32 Rounds 7
.22LR! Rounds 10
Finish: Blue or Chrome
Sights: Drift Adjustable
Frame: ORDINANCE STEEL

Safety Features:

Exposed External Hammer
Magazine Disconnect Safety

Firing Pin Block
Trigger Safety

TO LOAD THE PISTOL

1. Engage the trigger safety and firing pin safety.
2. KEEP FINGER AWAY FROM TRIGGER. Point the muzzle of the pistol in a safe direction. Push back the magazine catch and remove the magazine.
3. Load 7 cartridges of .380.32 ammunition in the magazine. Insert the loaded magazine into the frame of the pistol making sure that the magazine catch secures the magazine in place. KEEP FINGER AWAY FROM THE TRIGGER when inserting magazine. DO NOT FORCE extra rounds into the magazine. (FOR 22LR USE 10 ROUNDS)
4. Holding the pistol, grasp the serrations on the slide and pull the slide rearward until it cannot travel any further. Release the slide and allow it to go forward into the closed position. It will automatically take a cartridge from the magazine and load it into the chamber. Your pistol is now loaded and cocked.

TO FIRE THE PISTOL

1. Point the muzzle of the pistol in a safe direction.
2. KEEP FINGER AWAY FROM TRIGGER.
3. Move the trigger safety lever to position where "F" shows. YOUR PISTOL NOW IS FULLY COCKED AND READY TO FIRE. If you are not going to fire immediately put the thumb lever on position where "S" shows and engage Firing Pin safety. KEEP FINGER AWAY FROM TRIGGER AT ALL TIMES UNTIL YOU ARE READY TO SHOOT.
4. Should you not wish to fire the pistol, unload it. Do not carry or store loaded guns. We do not recommend carrying, holstering or handling this pistol with the chamber loaded. LOAD THE CHAMBER ONLY IF YOU INTEND TO SHOOT.

UNLOAD THE PISTOL

1. Keep the muzzle pointing in a safe direction and finger away from the trigger. Make sure the thumb lever is in position where "S" shows and engage firing pin safety. Remove the magazine from the frame. **CAUTION: THERE WILL STILL BE A LIVE CARTRIDGE IN THE CHAMBER.**
2. Remove the cartridge from the chamber in the following manner. KEEP FINGER AWAY FROM TRIGGER. Make sure "S" shows as in the previous step. Pull back the slide directly to the rear. Cartridge will be ejected from the chamber when the slide is pulled back. Do not pull slide up as it moves rearward. Pulling the slide up will remove the slide or cause it to hang on the rear of the frame (as per disassembly instructions). Keep the pistol pointed in a safe direction when emptying the chamber and remember to VISUALLY INSPECT THE CHAMBER TO BE ABSOLUTELY SURE IT IS EMPTY BEFORE STORING THE PISTOL.

TO PUT THE PISTOL IN HALF-COCK

Point the pistol in a safe direction. KEEP YOUR FINGER AWAY FROM THE TRIGGER. Remove the magazine. Inspect the chamber and remove chambered cartridge if present. VISUALLY INSPECT THE CHAMBER TO BE SURE IT IS EMPTY. Put the selector to "F" position and pull the trigger. Move the lever to "S" position and KEEP FINGER AWAY FROM TRIGGER. Draw back the hammer gently until you hear and feel it click into the half cock position. This position is about half way to the rear as opposed to the full cock which is all the way to the rear.

IMPORTANT GUN WARNINGS

Loaded or unloaded, NEVER carry or store this pistol with hammer in full cock position. Carry or store with hammer in half-cock and with thumb lever covering letter "F" and with chamber empty and with magazine removed. Consult dealer or gunsmith or firearm instructor for clarification.

NEVER point a gun at anybody or **anything** that you don't **intent** to shoot, NEVER put your finger on the **trigger** unless you are ready to shoot.

The thumb lever locks the trigger only. It is engaged when it is rotated to cover the letter "F" on side of frame, it is disengaged when rotated to cover letter "S"

If this gun is dropped **with a live** round in the chamber, it is possible for it to go off

Removal of the **magazine** or "**clip**" does not mean that the gun is unloaded There still may be a live round in the chamber.

NEVER assume that a gun is empty. Inspect any gun personally to verify whether or not a cartridge is in the chamber. Too **many** people have been injured or killed by supposedly empty guns. **TREAT EVERY GUN AS THOUGH IT WAS LOADED.**

Again, we urge you to consult a **firearms** Instructor or **gunsmith** before **using this** gun or any other gun Firearms can be dangerous. There are no safe guns, there are safe shooters

Get **instructions** from a competent firearm instructor before **using** any gun

Never point a gun at any person or at any object that you don't intend to shoot

Always empty guns before carrying into house, car, truck, R.V., boat, etc.

Be sure of your backstop and what lies beyond before you shoot.

Never accept a gun without opening it to check for yourself whether or not it is loaded

Always load guns with muzzle pointing at the ground.

Always unload guns with muzzle pointing at the ground.

Reloaded cartridges can be dangerous to you and to your gun.

Never leave an unattended gun loaded.

Store guns and ammunition separately AND BEYOND THE REACH OF CHILDREN.

Never take alcohol, drugs or medications immediately before or during shooting activities.

Never shoot at flat hard **surfaces** or at the surface of water

Check **ammunition** to see if it is the right size Old **ammunition** is not safe to use

Should a gun fail to discharge after trigger has been pulled, keep gun **pointing** at target for at least 30 seconds, **Sometimes** a slow burning **primer** will not **ignite** promptly and properly and cause a "hang fire"

Write to us **concerning** any **items** or circumstances **which** you don't understand and **which might** relate to your safety and the operation of any of our products.

Wear fluorescent orange vest, hat, jacket when in the woods or fields.

Spectators should always be at least **10** feet in back of and not in line with, the breach of any gun when you are shooting.

Alterations of trigger pull will usually alter sear engagement and can cause accidental discharge.

Never carry a pistol or revolver in your pocket or tucked into your belt. If a handgun is to be carried on your person, it must be in an appropriate holster.

Never put your hand over the muzzle of a gun

Never take a gun out of a car, boat or R.V. by **pulling it** toward you by the muzzle

Never leave a gun where it could fall and **accidentally** discharge.

Never pull the trigger unless shooting at a target or unless you have checked to make sure whether the gun was unloaded.

Never assume that a gun is unloaded.

Never have a loaded gun in a house, car, boat or R.V

Always load your gun **ONLY** when on the range or in the **field** and ready to shoot When you stop shooting unload before leaving the **field** or range, then double check it.

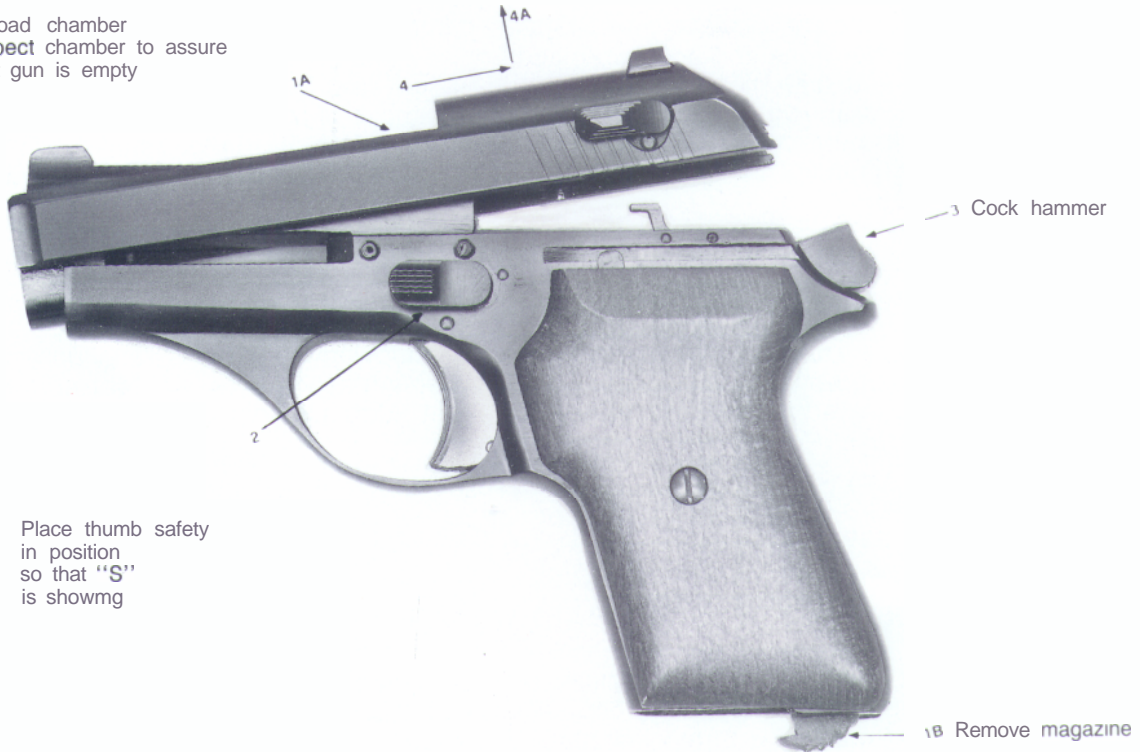
Always keep your finger off the trigger until you are ready to shoot.

Never rely on a gun's "safety" to compensate for unsafe gun handling. A safety is only a mechanical device; it's not a substitute for common sense.

DISASSEMBLY (TAKE-DOWN) INSTRUCTIONS

Pull slide back as far as possible. Lift the rear of slide upward and while holding it in this position, allow the recoil spring to slowly pull it forward over barrel. Remove recoil spring assembly.

Unload chamber
Inspect chamber to assure
that gun is empty



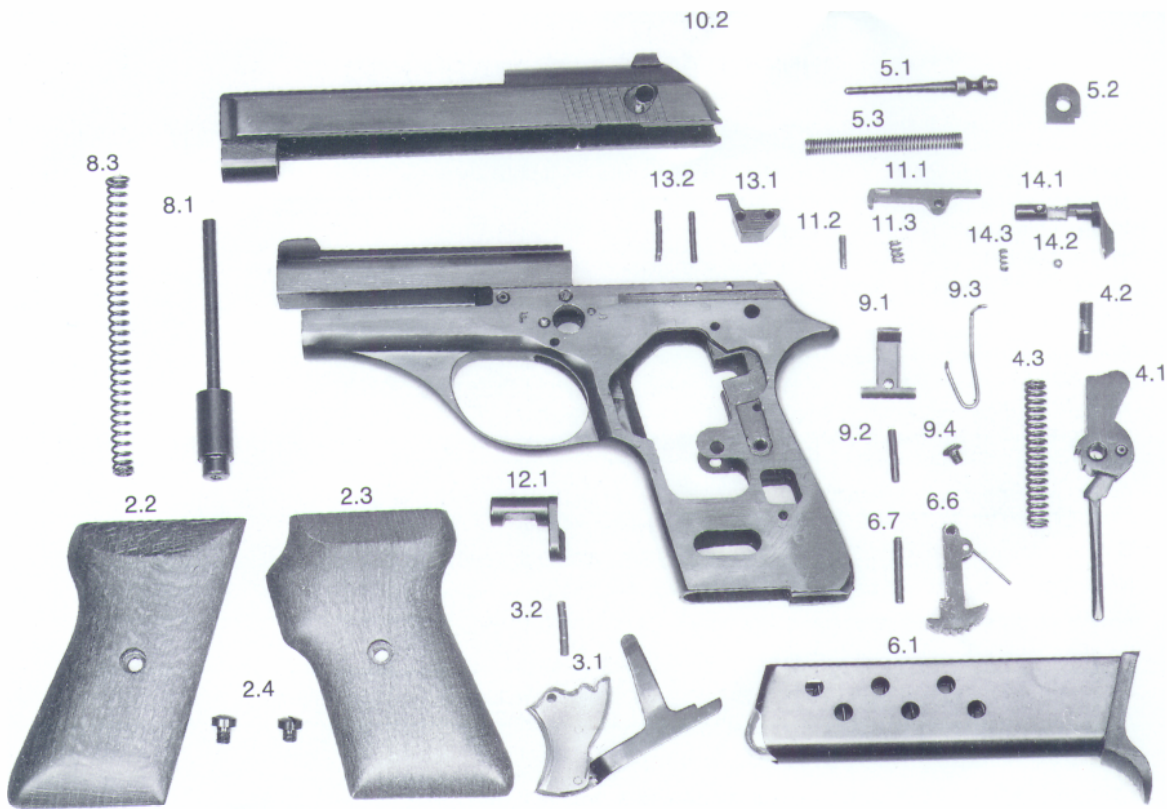
Place thumb safety
in position
so that "S"
is showing

DISASSEMBLY (TAKE-DOWN) INSTRUCTIONS:

1. Unload chamber, Remove magazine, Inspect chamber to assure that gun is empty.
2. Place thumb safety in position so that "S" is showing.
3. Cock hammer.
4. Pull slide back as far as possible. Lift rear end of slide upward and while holding it in this position, allow the recoil spring to slowly pull it forward over barrel. Remove recoil spring assembly.

ASSEMBLY INSTRUCTIONS:

1. With magazine removed, place thumb safety lever in forward safe position and cock hammer.
2. Insert recoil spring assembly in position under barrel with small end under muzzle and large end toward trigger.
3. Slip slide over muzzle with recoil spring assembly small end in round slide hole and pull slide to rear as far as possible. Push rear end of slide down and allow it to go forward into assembled position.



SEMIAUTOMATIC PISTOL MODEL: EUROPEAN

- | | | |
|----------------------|-------------------------------|--------------------------------|
| 2.2 Right Grip | 5.2 Firing Pin Retainer plate | 9.4 Sear Spring Screw |
| 2.3 Left Grip | 5.3 Firing Pin Spring | 10.2 Rear Sight |
| 2.4 Grip Screws | 6.1 Magazine | 11.1 Extractor |
| 2.5 Wood Grip Set | 6.6 Magazine Catch and Spring | 11.2 Extractor Pin |
| 3.1 Trigger Assembly | 6.7 Magazine Catch Pin | 11.3 Extractor Spring |
| 3.2 Trigger Pin | 8.1 Recoil Spring Guide | 12.1 Trigger Safety |
| 4.1 Hammer and guide | 8.3 Recoil Spring | 13.1 Ejector |
| 4.2 Hammer Pin | 9.1 Sear | 13.2 Ejector Pin |
| 4.3 Hammer Spring | 9.2 Sear Pin | 14.1 Firing Pin Safety |
| 5.1 Firing Pin | 9.3 Sear Spring | 14.2 Firing Pin Safety Plunger |
| | | 14.3 Firing Pin Safety Spring |

WARNING: This gun was manufactured to perform properly with the original parts as designed. It is your duty to make sure any parts you buy are installed correctly and that neither replacements nor originals are altered or changed. Your gun is a complex tool with many parts that must relate correctly to other parts. Putting a gun together wrong or with modified parts can result in a damaged gun, danger, and injury or death to you and others through malfunction. Always let a qualified gunsmith work on your gun or at least check any work not performed by a gunsmith. We think this is a small price to pay for firearms safety.

WARNING: The actual firearm does not contain any lead; however, it does fire ammunition containing lead or lead compounds known to the State of California to cause cancer, birth defects and/or reproductive toxicity. Those who discharge a firearm, stand near someone who discharges a firearm or cleans firearms are hereby warned of the dangers presented by lead and lead compounds and should take protective health measures. Avoid exposure to lead while handling and wash your hands after contact. Proper air ventilation is absolutely necessary when shooting indoors.

WARNING: Lead or lead compounds are known to the State of California to cause cancer, birth defects and/or reproductive toxicity. Those who clean firearms should take protective measures to avoid contact or exposure to such chemicals.

Barrel, frame and slide are not available. Parts and service for all models are available from:
EUROPEAN AMERICAN ARMORY CORP. P.O. BOX 1299 SHARPS, FL. 32959

STATEMENT OF LIMITED WARRANTY

All EAA Products are warranted to the original retail customer for LIFE from date of original purchase against defects in material and or workmanship. All parts and labor or replacement, at our option, are covered.

Transportation to and from our repair facilities, damage caused by failure to perform normal maintenance, sales outside the United States, damage due to the use of high pressure, reloaded or other nonstandard ammunition, or any unauthorized repair, modification, misuse, abuse or alteration of the product is not covered by this Limited Warranty.

Any implied warranties, including the implied warranties of merchantability and fitness for a particular purpose, are limited to one year from date of original retail purchase. Consequential or incidental damages or expenses, or any other expenses are not covered by this warranty.

TO OBTAIN SERVICE UNDER WARRANTY

Send your firearm to us via UPS along with a photocopy of your proof of retail purchase freight charges prepaid. Be sure to include a statement as to the reason for return and make sure to include your complete return street address. Ship your product to the following address:

**EUROPEAN AMERICAN ARMORY CORP.
3855 NORTH US HIGHWAY ONE
COCOA, FL. 32926**

HOME SAFETY IS PROBABLY YOUR BIGGEST CONCERN

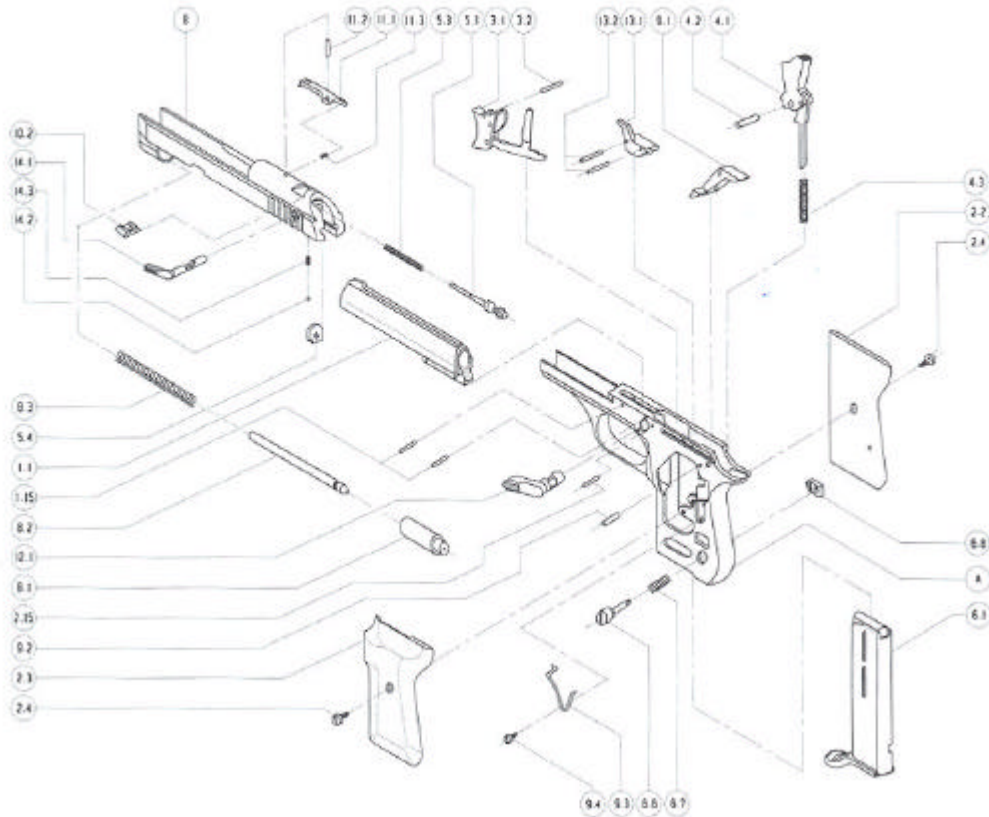
Hoppe's Gun Guardian is a good inexpensive gun lock kit. It works on any firearm (rifle, pistol or shotgun) yet is instantly removable by an adult.

Hoppe's Gun Guardian kits are available in gun shops and sporting goods departments, or from Hoppe's, Airport Industrial Mall, Coatesville, PA 19320. After all, you have invested this much in your new pistol why not invest a little more in your children's safety.

Mailing Address
EUROPEAN AMERICAN ARMORY CORP.
P.O. BOX 1299 - SHARPS, FL. 32959

Factory Service & Repair
Facilities Locateds at:
EUROPEAN AMERICAN ARMORY CORP.
3855 NORTH US HIGHWAY ONE
COCOA, FL. 32926





PARTS LIST

- | | |
|---------------------------------------|---|
| 1 - BARREL | 8.2 - RECOIL GUIDE |
| 1.15 - BARREL PIN | 8.3 - RECOIL SPRING |
| 2.2 - RIGHT GRIP | 9.1 - SEAR |
| 2.3 - LEFT GRIP | 9.2 - SEAR PIN |
| 2.4 - GRIP SCREWS | 9.3 - SEAR SPRING |
| 2.15 - AUTOMATIC SAFETY RETAINING PIN | 9.4 - SEAR SPRING SCREW |
| 3.1 - TRIGGER KIT | 10.2 - REAR SIGHT |
| 3.2 - TRIGGER PIN | 11.1 - EXTRACTOR |
| 4.1 - HAMMER KIT | 11.2 - EXTRACTOR PIN |
| 4.2 - HAMMER PIN | 11.3 - EXTRACTOR SPRING |
| 4.3 - HAMMER SPRING | 12.1 - TRIGGER SAFETY - DISASSEMBLY LATCH |
| 5.1 - FIRING PIN | 13.1 - EJECTOR |
| 5.3 - FIRING PIN SPRING | 13.2 - EJECTOR PIN |
| 5.4 - FIRING PIN RETAINER | 14.1 - FIRING PIN SAFETY |
| 6.1 - MAGAZINE | 14.2 - FIRING PIN SAFETY PLUNGER |
| 6.6 - MAGAZINE CATCH BUTTON | 14.3 - FIRING PIN SAFETY SPRING |
| 6.7 - MAGAZINE CATCH SPRING | |
| 6.8 - MAGAZINE CATCH | A - FRAME |
| 8.1 - RECOIL GUIDE HEAD | B - SLIDE |

WARNING:
 IN THIS GUN WAS MODIFIED THE MAGAZINE CATCH COD. 6.6
 ABOVE THE NEW PARTS LIST.

WARNING: Children are attracted to and can operate firearms that can cause severe injuries or death. Prevent child access by always keeping guns locked away and unloaded when not in use. If you keep a loaded firearm where a child obtains and improperly use it, you may be fined or sent to prison.

ADVERTENCIA: A los niños los atraen las armas de fuego y las pueden hacer funcionar. Ellos pueden causarse lesiones graves y la muerte. Evite que los niños tengan acceso a las armas de fuego guardándolas siempre con llave y descargadas cuando no las esté utilizando. Si usted tiene un arma de fuego cargada en un lugar en que un niño tiene acceso a ella y la usa indebidamente, la pueden dar una multa o enviarlo a la cárcel.