

INSTRUCTION MANUAL FOR

BLUED
STEEL



CALIBERS
.17HMR, .22 LR,
.22 MAGNUM,
& .44 MAGNUM

RUGER® **MODEL 96™** LEVER ACTION RIFLES



**READ THE INSTRUCTIONS AND
WARNINGS IN THIS MANUAL CAREFULLY
BEFORE USING THIS FIREARM**

**For Product Service on This Model Please Call:
(603) 865-2442 (See p. 29)**

**STURM, RUGER & Company, Inc.
Southport, Connecticut 06890 U.S.A.**

THIS INSTRUCTION MANUAL SHOULD ALWAYS ACCOMPANY THIS FIREARM AND BE
TRANSFERRED WITH IT UPON CHANGE OF OWNERSHIP, OR WHEN THE FIREARM IS LOANED OR
PRESENTED TO ANOTHER PERSON.

State-By-State Warnings

Certain states require by law that their own specified warning notices in larger-than-normal type be conspicuously included by the manufacturer, distributor, or retail dealer with firearms sold in that state. Sturm, Ruger sells its products in compliance with applicable laws and regulations. Because our products may be sold in these states, we include the following:

California:

⚠ WARNING

“Children are attracted to and can operate firearms that can cause severe injuries or death. Prevent child access by always keeping guns locked away and unloaded when not in use. If you keep a loaded firearm where a child obtains and improperly uses it, you may be fined or sent to prison.”

⚠ ADVERTENCIA

“A los niños los atraen las armas de fuego y las pueden hacer funcionar. Ellos pueden causarse lesiones graves y la muerte. Evite que los niños tengan acceso a las armas de fuego guardándolas siempre con llave y descargadas cuando no las esté utilizando. Si usted tiene un arma de fuego cargada en un lugar en que un niño tiene acceso a ella y la usa indebidamente, le pueden dar una multa o enviarlo a la cárcel.”

Connecticut:

“UNLAWFUL STORAGE OF A LOADED FIREARM MAY RESULT IN IMPRISONMENT OR FINE.”

Florida:

“IT IS UNLAWFUL, AND PUNISHABLE BY IMPRISONMENT AND FINE, FOR ANY ADULT TO STORE OR LEAVE A FIREARM IN ANY PLACE WITHIN THE REACH OR EASY ACCESS OF A MINOR UNDER 18 YEARS OF AGE OR TO KNOWINGLY SELL OR OTHERWISE TRANSFER OWNERSHIP OR POSSESSION OF A FIREARM TO A MINOR OR A PERSON OF UNSOUND MIND.”

Maine:

“ENDANGERING THE WELFARE OF A CHILD IS A CRIME. IF YOU LEAVE A FIREARM AND AMMUNITION WITHIN EASY ACCESS OF A CHILD, YOU MAY BE SUBJECT TO FINE, IMPRISONMENT OR BOTH. KEEP FIREARMS AND AMMUNITION SEPARATE. KEEP FIREARMS AND AMMUNITION LOCKED UP. USE TRIGGER LOCKS.”

Maryland:

“WARNING: Children can operate firearms which may cause death or serious injury. It is a crime to store or leave a loaded firearm in any location where an individual knew or should have known that an unsupervised minor would gain access to the firearm. Store your firearm responsibly!”

Massachusetts:

“WARNING FROM THE MASSACHUSETTS ATTORNEY GENERAL: This handgun is not equipped with a device that fully blocks use by unauthorized users. More than 200,000 firearms like this one are stolen from their owners every year in the United States. In addition, there are more than a thousand suicides each year by younger children and teenagers who get access to firearms. Hundreds more die from accidental discharge. It is likely that many more children sustain serious wounds, or inflict such wounds accidentally on others. In order to limit the chance of such misuse, it is imperative that you keep this weapon locked in a secure place and take other steps necessary to limit the possibility of theft or accident. Failure to take reasonable preventive steps may result in innocent lives being lost, and in some circumstances may result in your liability for these deaths.”

“IT IS UNLAWFUL TO STORE OR KEEP A FIREARM, RIFLE, SHOTGUN OR MACHINE GUN IN ANY PLACE UNLESS THAT WEAPON IS EQUIPPED WITH A TAMPER-RESISTANT SAFETY DEVICE OR IS STORED OR KEPT IN A SECURELY LOCKED CONTAINER.”

New Jersey:

“IT IS A CRIMINAL OFFENSE TO LEAVE A LOADED FIREARM WITHIN EASY ACCESS OF A MINOR.”

New York City:

“THE USE OF A LOCKING DEVICE OR SAFETY LOCK IS ONLY ONE ASPECT OF RESPONSIBLE FIREARM STORAGE. FOR INCREASED SAFETY, FIREARMS SHOULD BE STORED UNLOADED AND LOCKED IN A LOCATION THAT IS BOTH SEPARATE FROM THEIR AMMUNITION AND INACCESSIBLE TO CHILDREN AND OTHER UNAUTHORIZED PERSONS.”

North Carolina:

“IT IS UNLAWFUL TO STORE OR LEAVE A FIREARM THAT CAN BE DISCHARGED IN A MANNER THAT A REASONABLE PERSON SHOULD KNOW IS ACCESSIBLE TO A MINOR.”

Texas:

“IT IS UNLAWFUL TO STORE, TRANSPORT, OR ABANDON AN UNSECURED FIREARM IN A PLACE WHERE CHILDREN ARE LIKELY TO BE AND CAN OBTAIN ACCESS TO THE FIREARM.”

Wisconsin:

“IF YOU LEAVE A LOADED FIREARM WITHIN THE REACH OR EASY ACCESS OF A CHILD YOU MAY BE FINED OR IMPRISONED OR BOTH IF THE CHILD IMPROPERLY DISCHARGES, POSSESSES, OR EXHIBITS THE FIREARM.”

* * * * *

Please check with your licensed retailer or state police for additional warnings which may be required by local law or regulation. Such regulations change constantly, and local authorities are in the best position to advise you on such legal

LOCKING DEVICE INSTALLATION INSTRUCTIONS



WARNING – USE OF LOCKING DEVICES



- Always keep your firearm pointed in a safe direction, including when you are installing or removing your locking device.
- Always verify that your firearm is completely **unloaded** before installing your locking device.
- Do **not** install locking devices in the trigger guard; always keep your fingers and locking device outside the trigger guard during device installation and removal.
- Store firearms, ammunition and keys separately and securely, away from children and careless adults; do **not** store your firearm with the keys in the locking device.
- Do not attempt to work the action of your firearm with the locking device in place; this may damage your firearm.
- While locking devices are an important aid to security measures, they are not a substitute for safe firearm handling and proper storage. Remember that any mechanical device can be bypassed with enough time, knowledge, determination and equipment.

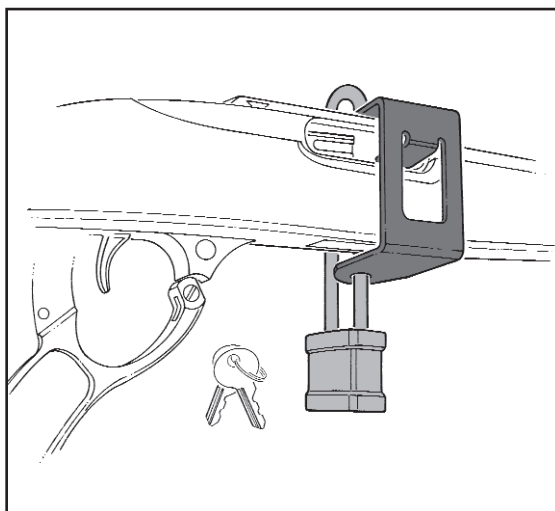
**LOCKING DEVICES MUST BE USED
SAFELY AND RESPONSIBLY**

Use the Correct Lock: While the basic locking device is substantially similar for all Ruger firearms, due to the different shapes of the many Ruger firearms, some firearms utilize different locking devices. The 3 1/2" lock and clamp are for use with **RUGER® MODEL 96™** Rifles. **It is very important to use the correct locking device!**

To Install the Factory-Supplied Locking Device:

1. **Keep the muzzle pointed in a safe direction and your fingers outside the trigger guard at all times!**
2. **Be sure the firearm and its magazine are completely unloaded and contain no cartridges or cartridge cases! Remove the magazine from your firearm.**

3. Open the action completely. Use the bolt lock to keep the action open during installation of the locking device.
4. Apply the clamp as shown below.
5. Apply the lock by placing the shackle of the lock into your Ruger Model 96™ Rifle as shown below.
6. Close the lock by pressing the shackle into the body of the lock (the part that receives the key) as tightly together as possible. The lock has bumpers and the shackle is coated with a non-marring material that will not harm the metal finish of your firearm; be careful not to dent or scratch wooden stocks.
7. Once the lock is securely closed, remove the key and pull firmly on the lock to test the connection and be sure it is locked. **Do not leave or store your firearm with the key in the lock!** Store your locked unloaded firearm and the key in secure, separate locations, away from ammunition, children, or unauthorized adults.



*Correct Installation of Lock
For Ruger Model 96™ Rifles Only*

SAFETY MUST BE THE FIRST AND CONSTANT CONSIDERATION OF EVERY PERSON WHO HANDLES FIREARMS AND AMMUNITION.

This Instruction Manual is designed to assist you in learning how to use and care for your **RUGER® MODEL 96™** properly. Please contact us if you have any questions about it.

Only when you are certain you fully understand the Manual and can properly carry out its instructions should you practice loading, etc., with live ammunition. If you have any doubts about your ability to handle or use a particular type of gun safely, then you should seek supervised instruction. Such personalized instruction is often available from gun dealers, gun clubs or police departments. If none of these sources can help you, write to the National Rifle Association, 11250 Waples Mill Road, Fairfax, VA 22030-7400. They will assist you.

The person possessing a gun has a full-time job. You cannot guess; you cannot forget. You must know how to use your firearm safely. **Do not use any firearm without having a complete understanding of its particular characteristics and safe use.** Remember: There is no such thing as a foolproof gun.

TABLE OF CONTENTS

	Page
State-By-State Warnings	2
Locking Device Installation Instructions	5
General Information and Mechanical Characteristics	8
Operation of Safety	10
Operation of Lever	11
Ammunition	12
To Load and Fire (With Magazine)	14
To Load and Fire (Without Magazine)	17
To Unload	17
To Extract and Eject a Chambered Cartridge	18
To Clear a Malfunction (“Jam”)	19
To Minimize Malfunctions (“Jams”)	19
To Disassemble	21
Reassembly	23
Magazine Inspection and Care	24
Care and Cleaning	25
Storage	26
Attaching Scope Base Adapter	27
Attaching Ruger Scope Rings	28
Sight Adjustment	28
Service and Parts Policy	29
Shipping Firearms For Repair	29
Ordering Parts	30
Parts List	31 - 35
Parts Drawings	36 - 38
The Basic Rules of Safe Firearms Handling	39 - 42
Warranty Information	44

“**RUGER**” is a registered U.S. trademark. “Model 96” is a Sturm, Ruger trademark.



WARNINGS OF GREAT IMPORTANCE ARE FOUND ON THE FOLLOWING PAGES:

Locking Devices	6	Unloading	17
Alterations	8	Malfunctions	20
Manual Safety	10	Disassembly	21
Ammunition	13	Lubrication	25
Lead Exposure	13	Storage	26
Firing	16	Shipping	29
Handling	16	Parts Purchasers	30

OTHER CAUTIONS AND WARNINGS APPEAR THROUGHOUT THE MANUAL.

**FIREARMS ARE DANGEROUS WEAPONS—
READ THE INSTRUCTIONS AND WARNINGS
IN THIS MANUAL THOROUGHLY AND
CAREFULLY BEFORE USING.**



WARNING—ALTERATIONS



This product was designed to function properly in its original condition. Alterations can make it unsafe. Do not alter any part or add or substitute parts or accessories not made by Sturm, Ruger & Co. Inc.

DO NOT ALTER ANY GUN

GENERAL INFORMATION AND MECHANICAL CHARACTERISTICS

The **RUGER® MODEL 96™** is a manually operated lever action rifle available in models chambered for the .44 Magnum, .22 WMR, .22 Long Rifle, or .17 HMR cartridge. It uses a 4, 9 or 10-shot rotary magazine, depending upon caliber. When the underlever is fully lowered, it opens the bolt and cocks the internal hammer. When the lever is raised shut, it closes the bolt and, if a loaded magazine is in place, strips a cartridge from the magazine and chambers the cartridge. The bolt is securely locked closed by its rear portion tilting upward into a reinforced recess in the receiver when the lever is fully shut.

Pulling the trigger releases the hammer, which strikes the firing pin. The firing pin indents the cartridge case rim or primer and ignites the priming compound. This ignites the powder in the cartridge case and instantly generates a great volume of gas, which acts on the interior of the cartridge case in all directions.

Because the bullet offers the least resistance, it moves out of the cartridge case and exits the muzzle. When the lever is operated by lowering it fully, the bolt moves rearward, extracting and ejecting the fired cartridge case, and cocking the internal hammer as described above. Once the lever is closed, the rifle is ready to fire again.

Each time the lever is opened and closed, the same cycle is repeated until there are no more cartridges in the magazine or in the chamber.

The rifle will fire if there is a cartridge in the chamber and the trigger is pulled, whether or not there is a magazine in place! Removing the magazine does not unload the rifle. Never assume the rifle is unloaded. Visually inspect the chamber and the magazine each time the rifle is handled to be certain there are no cartridges in either.

All models have the same basic operating mechanism and include the following features with which the gun user should be thoroughly familiar.

NOMENCLATURE (Standard Model Shown)

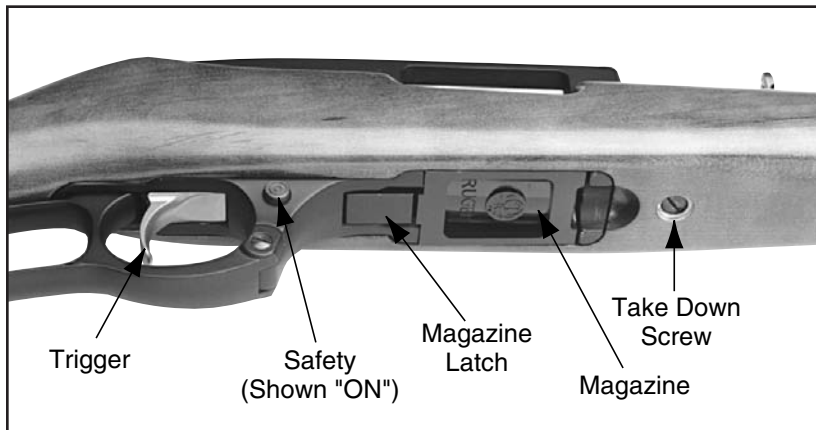
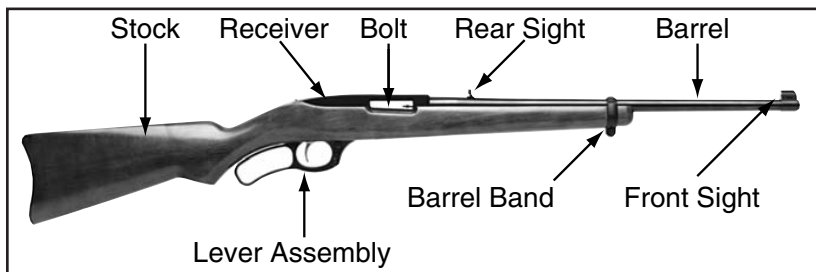


Figure 1. In these illustrations the frequently used operating components are identified. Note that the safety is protruding fully from the right side of the trigger guard and is therefore in its "on" (safe) position.

OPERATION OF SAFETY

The **RUGER® MODEL 96™** has a cross-button safety which is located in the forward portion of the trigger guard (Figure 1, p. 9). The safety can be operated only when the hammer is cocked.

The safety is “on” when it protrudes fully from the right side (the bolt side) of the lever housing assembly, as shown in Figure 1, p. 9. In this position the sear is blocked, and the gun cannot be fired by a normal pull on the trigger.

The safety should always be in the “on” (safe) position except when the shooter is actually firing the gun. The safety should be moved to the “on” position whenever the shooter ceases firing, even temporarily.

The safety is “off” (fire) when it protrudes from the left side of the trigger guard assembly, as shown in Figure 2. When the safety is off, a red band shows on the safety button; but do not totally rely on the appearance of the red band to indicate that the safety is off. In poor light or if dirt is present, the red band may not be visible. **If the safety is “off” and the trigger is pulled, the rifle will fire.**

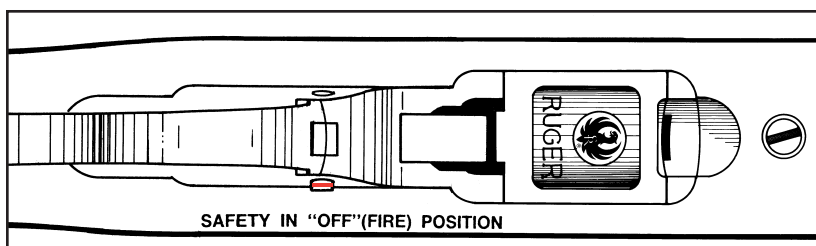




Figure 2. The underside of the trigger guard section of the rifle. In this illustration the safety is shown in the “off” (fire) position. The position of the safety and red band indicate the safety is “off.”



WARNING – MANUAL SAFETY



Keep the safety on unless actually firing. Always move the safety fully to its intended position and **check** it. The safety is not “ON” unless it is completely “ON”. Never depend on a safety mechanism or any other mechanical device to justify careless handling or permitting the rifle to point in an unsafe direction. The only “safe” rifle is one in which the bolt is open, the chamber is empty, and there is no magazine in the gun.

KNOW HOW TO USE THE SAFETY

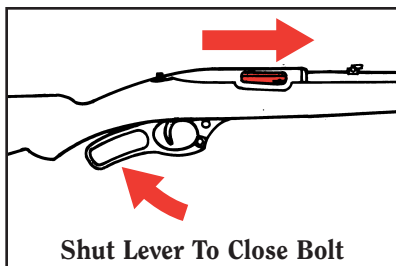
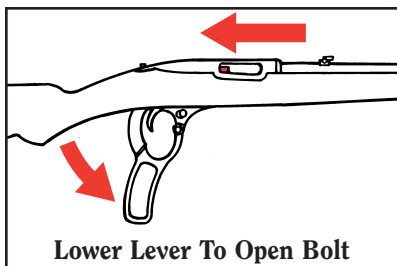
The safety is held in its “on” or “off” position by a plunger that is under spring tension. When the safety is moved to either the “on” or “off” position, a distinct “click” should be heard. Frequently check the position of the safety to be certain the safety has not been inadvertently moved. If the safety seems to move too easily, or if the click is not heard when the safety is moved, stop using the rifle and return it to the Newport Service Department for repair (see p. 29).

OPERATION OF LEVER TO OPEN AND CLOSE BOLT

The **RUGER® MODEL 96™** is a lever-action rifle.

The bolt is operated by manually lowering and raising the lever located underneath the pistol grip of the stock. It should be operated briskly and fully in order to minimize the possibility of improper feeding, extraction, and ejection of cartridges, but it need not be “slammed” open or shut. The rifle normally will not fire unless the lever is fully shut; nevertheless, you should still take care to operate it correctly to its fully open and fully shut positions to properly actuate the bolt.

The lever should be fully lowered to open the bolt for inspection immediately upon picking up the rifle. When the bolt is fully open, the rifle is in the correct condition for inspection of the chamber, cleaning, etc. **Do not close the lever unless the rifle is pointed in a safe direction or you are ready to fire.**



Cocking Indicator: When the lever is operated, the internal hammer is automatically cocked by the action of the bolt moving rearward. A small brass-colored pin will rise up and protrude about 1/16” above the rear of the rifle’s receiver whenever the internal hammer is cocked. This pin only indicates whether the hammer is cocked and does not indicate if a cartridge or fired case is in the chamber. **If the the rifle is cocked and the bolt is closed, you must assume a cartridge is in the chamber!** This is because a cartridge cannot be loaded into the chamber unless the bolt is first opened, thereby cocking the hammer. **However, never assume that if the cocking indicator does not protrude the chamber is empty** -- the cocking indicator, like any mechanical device, might malfunction, or a misfire may have occurred. **Always operate the lever and visually check to be sure whether a cartridge is in the chamber.** Closing the lever will chamber a cartridge if one is in the magazine, or ready the rifle for firing if a cartridge has been manually inserted into the chamber (see “To Load and Fire,” pp. 14 - 17).

To Operate Lever for Magazine Insertion or Removal: Note that the lever must be opened at least 1/2" for either insertion or removal of the magazine. This can be done either by manually operating the lever to an open position or by pushing up firmly on the magazine latch (located on the underside of the stock), which will open the lever slightly to the point where the magazine can be inserted or removed (see "To Load and Fire With Magazine," pp. 14 - 17).

AMMUNITION

The **RUGER® MODEL 96™** rifles are chambered for either the .44 Magnum, .22 WMR, .22 Long Rifle, or .17 HMR cartridges. The particular caliber for each rifle is rollmarked on the barrel. Use cartridges only of the designated caliber that is marked on the barrel.

Rifles chambered for the .44 Magnum cartridge should not be used with any other .44 caliber ammunition. Most .44 Magnum ammunition factory loaded to U.S. industry specifications is suitable for use. However, "Medium Velocity" non-jacketed ammunition may not give optimum accuracy and is not recommended.

The .22 Magnum rifles are chambered for .22 Winchester Magnum Rimfire cartridge only, both jacketed and hollow point. Do not use any other .22 caliber ammunition in this rifle as burst cases and the release of hot powder gases can result, possibly causing injury.

The .22 Long Rifle version is chambered for, and designed to properly function with only the .22 caliber Long Rifle rimfire cartridge, standard, high velocity, or hyper-velocity, manufactured to U.S. industry standards.

The .17 HMR rifles are chambered for the .17 Hornady Magnum Rimfire cartridge **only**. Do not use any other rimfire ammunition in this rifle. Use only ammunition that functions correctly in your rifle. See "Warning – Malfunctions," p. 20.



WARNING: SOME TYPES OF LONG RIFLE CARTRIDGES HAVE BLUNT-NOSE OR SHARP-SHOULDER BULLETS WHICH CAN INTERFERE WITH SMOOTH AND RELIABLE FEEDING FROM MAGAZINE TO CHAMBER. SUCH CARTRIDGES SHOULD **NOT** BE USED BECAUSE THEY MAY DISCHARGE BEFORE BEING FULLY CHAMBERED AND THEREBY POSSIBLY INJURE THE SHOOTER AND THOSE NEARBY. THE SHOOTER MUST BE ALERT TO THIS POTENTIALLY DANGEROUS SITUATION AND SHOULD AT ONCE DISCONTINUE THE USE OF ANY CARTRIDGE WHICH APPEARS TO BE THE CAUSE OF FEEDING PROBLEMS OR JAMMING.



WARNING: DO NOT ATTEMPT TO LOAD .22 SHORT, .22 LONG, .22 SHOT OR ANY OTHER TYPE OF .22 CALIBER CARTRIDGE (OTHER THAN THE .22 LONG RIFLE) **INTO THE MAGAZINE** OF THE **96/22** RIFLE. THE USE OF OTHER CARTRIDGES IN THE MAGAZINE CAN CAUSE POTENTIALLY DANGEROUS JAMS AND MALFUNCTIONS RESULTING IN DAMAGE TO THE FIREARM AND INJURY TO THE SHOOTER AND OTHER PERSONS. TAKE CARE TO USE THE CORRECT CARTRIDGES. **DO NOT FIRE .17 HMR CARTRIDGES IN .22 MAGNUM RIFLES!**



WARNING – AMMUNITION



Death, serious injury, and damage can result from the use of wrong ammunition, bore obstructions, powder overloads, or incorrect cartridge components. .22 cases are very thin and sometimes split when fired. Always wear shooting glasses and hearing protectors.



**IMPROPER AMMUNITION
DESTROYS GUNS**



WARNING – LEAD EXPOSURE



Discharging firearms in poorly ventilated areas, cleaning firearms, or handling ammunition may result in exposure to lead and other substances known to the state of California to cause birth defects, reproductive harm, and other serious physical injury. Have adequate ventilation at all times. Wash hands thoroughly after exposure.

**SHOOTING OR CLEANING GUNS
MAY EXPOSE YOU TO LEAD**

TO LOAD AND FIRE (WITH MAGAZINE)

Practice this important aspect of gun handling (with an unloaded rifle) until you can perform each of the steps described below with skill and confidence. But before you do anything with the rifle, please first read completely through this manual.

1. **Keep the muzzle is pointed in a safe direction. (See Rule 2, p. 39.)**
2. **Put the safety “on” (fully protruding from the right side of the lever housing assembly). (See Figure 1, p. 9.)**
3. Open the lever. Check the chamber to be certain it is empty.
4. Note that the lever must be at least 1/2” open in order to either remove or insert a magazine. To remove the magazine, use thumb to depress magazine latch and at the same time grasp the magazine between thumb and forefinger of the same hand to draw it out of the magazine well. (See Figure 3.)

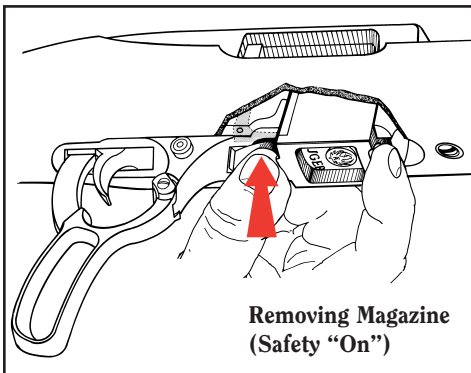
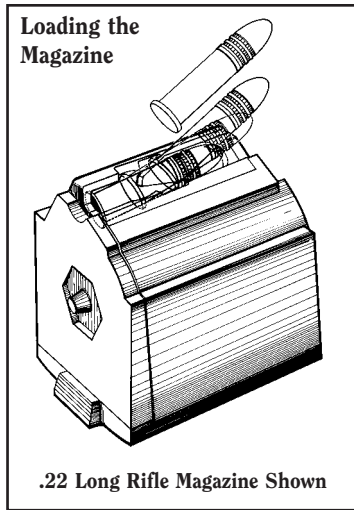


Figure 3. The lever should be open and the safety should be “on” when the magazine is being removed or inserted. When the forward section of the magazine latch is pushed in (pivoted upward), the magazine is released. Depress the latch with the thumb and at the same time grasp the magazine between the thumb and forefinger and draw it out of the rifle.

5. Load the magazine by sliding cartridges (up to 10 in the .22 LR magazine, 9 in the .22 WMR or .17 HMR magazine, or 4 in the .44 magnum magazine) into the magazine throat-opening. (See Figure 4, p. 15.) The Ruger Model 96™ is designed to function properly only with standard Ruger rotary magazines loaded with cartridges of the correct type and caliber.


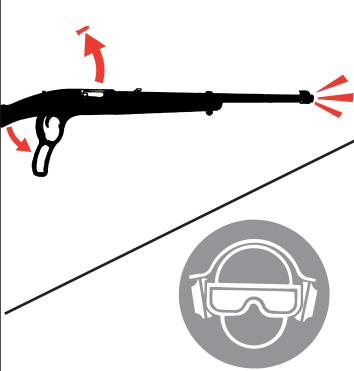
Figure 4. To load the magazine, press the rim of the cartridge against the magazine rotor at the widest section of the magazine throat until the cartridge enters far enough to be pushed to the rear end of the magazine. With the first cartridge in place, each succeeding cartridge is pressed against the body of the top cartridge and slid to the rear of the magazine until a maximum of ten .22 LR cartridges (or nine .22 WMR or .17 HMR cartridges, or four .44 Magnum cartridges, depending upon the magazine being loaded) are in the magazine.

The magazine must at all times be in good condition or malfunctions can occur. Please carefully read the sections in this manual on “Magazine Inspection and Care” and the section and warning on “Malfunctions.”

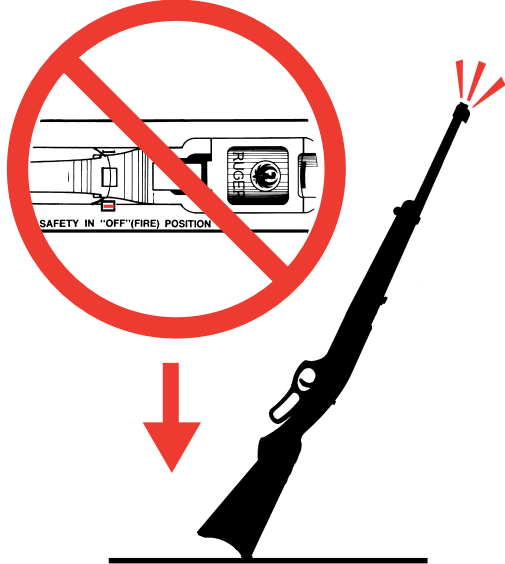


NOTE: The 9 shot Ruger .22 Magnum and .17 HMR magazines are **not** interchangeable with any other magazine. The .44 magnum magazines for the Ruger 96/44 lever action rifle and the Deerfield Carbine rifle will **not** fit into the Ruger 77/44 bolt action rifle due to dimensional differences. Do not attempt to use either of them in the Ruger 77/44.

6. With lever open, insert magazine into the firearm, with bullet end of the cartridges toward the muzzle. (Magazine cannot be seated if reversed, or if lever is not at least 1/2" open.) Do not strike magazine if it does not insert readily. Just be sure the lever is open, or firmly push the magazine latch, which will open the lever sufficiently to allow full insertion of the magazine.
7. Load a cartridge into the chamber by fully closing the lever. It is not necessary to “slam” the lever shut. Do not apply excessive force to the lever to chamber a cartridge. If a cartridge does not readily chamber, open the lever, eject it from the rifle, and reload with ammunition that chambers readily. If it still fails to chamber smoothly, open the bolt, remove the magazine and see “Warning – Malfunctions,” p. 20. If a “jam” occurs (usually due to damaged or improper ammunition), see “To Clear A Malfunction,” p. 19.
8. The rifle is now fully loaded. **If the rifle is not to be fired immediately, the safety should remain “ON” (see Figure 1, p. 9). When the safety is moved to the “off” position, the rifle will fire when the trigger is pulled.** The lever is then fully opened, ejecting the fired cartridge case, and closed to reload another cartridge from the magazine into the chamber. The rifle is again ready to fire by pulling the trigger and this cycle can be repeated until all the cartridges in the magazine, and the one in the chamber, have been fired. Operating the lever will automatically reload and cock the rifle. **Keep your finger away from the trigger while operating the lever! Note that every time the trigger is pulled, if a cartridge is in the chamber and the bolt is closed, the rifle will fire -- be careful!**

 <h2 style="margin: 0;">WARNING – FIRING</h2>	
	<p>Be sure that bystanders are well clear of the shooter and standing a safe distance to the rear. Empty cartridge cases are hot and are normally ejected from the rifle to the right. They could cause injury to any person who is standing too closely alongside the shooter. Shooters who fire right-hand rifles from the left shoulder should be particularly cautious concerning ejected cartridge cases. Always wear shooting glasses and hearing protectors.</p>
<h3 style="margin: 0;">EJECTED BRASS IS HOT</h3>	



9. Immediately following the firing of a shot and operating the lever to eject the empty cartridge case, if a subsequent shot is not to be fired at once, put the safety “ON” while the rifle is still pointing in a safe direction down range. The safety should be moved to the “on” position as soon as firing is completed, and it should be “on” at all times except when the rifle is on target and being fired.

 <h2 style="margin: 0;">WARNING – HANDLING</h2>	
	<p>If dropped or struck with the safety “off”, any rifle may fire. Keep chamber empty unless actually firing! Keep safety “on” unless actually firing!</p>
<h3 style="margin: 0;">ANY GUN MAY FIRE IF DROPPED</h3>	

10. The bolt and lever do not automatically remain open after the last cartridge or fired case has been extracted and ejected, or when the magazine is empty. When firing is completed, retract the bolt by opening the lever fully, and visually check the chamber to be sure it is empty. **If the lever or bolt is shut, the shooter should always assume that there is a cartridge in the chamber. Don't rely on your memory to know if a gun or magazine is loaded. Visually inspect the magazine and the chamber.**

TO LOAD AND FIRE (WITHOUT MAGAZINE)

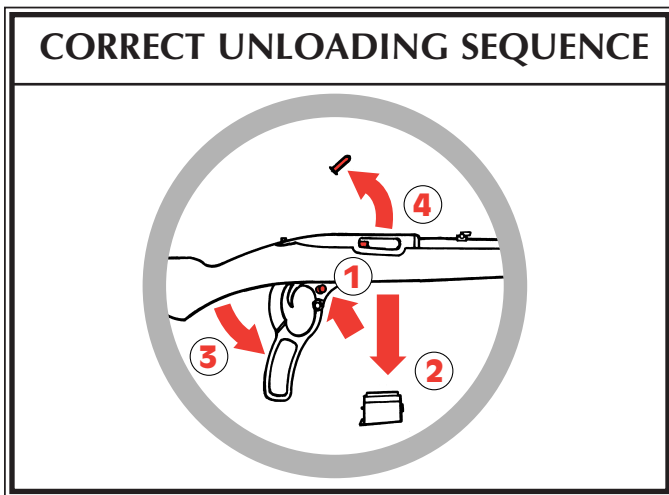
The rifle can be used as a single shot rifle in the absence of a magazine or for safety or training purposes. To do so, follow steps 1 & 2, p. 14. Then load a cartridge into the chamber, and follow steps 6, 7 and 8 on p. 15, disregarding the magazine. Engage the safety between shots.

 WARNING – UNLOADING	
	So that the rifle can be used as a single loader, it will fire whether or not a magazine is in the gun if a cartridge is chambered. Removing magazine does not unload the rifle! To unload, first remove magazine, then fully open lever to pull bolt to rear, eject chambered cartridge, and <u>visually inspect chamber</u> . The safety should always be in the “on” (safe) position when loading or unloading the rifle. Keep safety “on.”
	GUN WILL FIRE WITH MAGAZINE OUT

TO UNLOAD

NOTE: This sequence must be followed exactly as spelled out. Failure to do so can result in the rifle's chamber becoming unintentionally loaded with a cartridge!

1. **Keep the muzzle pointed in a safe direction at all times and keep the fingers outside the trigger guard. If the rifle is cocked, move the safety to the “on” position.**
2. Remove the magazine by firmly pressing the magazine latch. This is done more easily if the lever is slightly open, but firmly pressing the latch itself will slightly open the lever, allowing removal of the magazine. **Remember that even though the magazine has been removed, a cartridge remaining in the chamber can still be fired!**
3. Retract the bolt to its fully open position by completely opening the lever. This should extract and eject any cartridge or fired case in the chamber. Leave the lever and bolt open.
4. **Always visually double check the chamber to be certain it is empty.** The only “safe” rifle is one in which the bolt is open and the chamber and magazine are empty.



5. Do **not** unload by cycling cartridges from the magazine into and out of the chamber by repeatedly operating the lever. This is unnecessary and increases the possibility of firing if you pull the trigger when the bolt is closed (and if you have failed to put the safety “on” prior to unloading). First remove the magazine, then operate the lever to unload the chamber.
6. Cartridges can be removed from the magazine by simply pushing them lightly downward and forward with the thumb, forefinger, or the rubber eraser end of a pencil against the rim of the top cartridge. Do not use a loaded cartridge as a ‘tool’ to strip cartridges from the magazine.
7. If desired, the bolt can be left in the open position simply by leaving the lever fully down. If it is desired to close the bolt, again look to be certain the chamber is empty. Assuming that the safety is “on,” close the lever fully against the stock, which will close the bolt as the lever is raised up. **Keep your fingers out of the receiver!**
8. **With the muzzle pointed in a safe direction**, push the safety to the “off” position and pull the trigger to decock the hammer. The rifle can be “dry fired” for practice as long as it is empty and pointed in a safe direction.
9. Push empty (unloaded) magazine into the rifle until the catch locks it in place. Again, this is more easily done if the lever is partially open. Striking or slamming the magazine is not necessary for insertion and may damage it.

TO EXTRACT AND EJECT A CHAMBERED CARTRIDGE

When the bolt is operated by opening the lever, there can be a failure to extract the cartridge from the chamber, or a failure to eject the cartridge clear of the rifle. These failures usually are the result of the lever not being operated correctly, use of improper or damaged ammunition, or an accumulation of bullet lubricant or residue from firing in the chamber. From the foregoing, it is clear that the gun user must:

1. **Always visually check the chamber after opening the bolt to eject a chambered cartridge.** If the lever is not vigorously retracted when opening the bolt, the extracted cartridge can be 'ejected' into the magazine area, instead of outside the rifle.
2. **Thoroughly clean the chamber and the extractor as often as necessary** to prevent the accumulation of grease and dirt.
3. If an empty magazine is in the rifle when the lever is being operated to extract a cartridge, the cartridge may drop on top of the magazine. Then when the bolt goes forward, the cartridge will be chambered again! **Always remove the magazine before clearing the chamber, and visually ensure that no cartridges remain in the gun.**

TO CLEAR A MALFUNCTION ("JAM")

Any firearm may occasionally malfunction. If it does:

1. **Be certain the muzzle is pointed in a safe direction and the safety is "on."**
2. If possible, first remove the magazine. It may be necessary to manually remove a jammed cartridge which has only partially been stripped from the magazine. If so, use extreme care. Open the bolt fully with the lever before attempting to clear the jam. Drawing the bolt fully to the rear may bring the jammed cartridge along. **Keep your face away from the ejection port during this operation.** When attempting to clear a jam, use only wood 'tools' so that a cartridge will not be discharged if you strike a primer and so that the chamber and magazine will not be damaged. A 3/16" wood dowel rod with a point on one end is useful, and can be carefully used to dislodge a jammed cartridge from the chamber or magazine. Remove the magazine and any unfired cartridges from the firearm as soon as it is possible to do so.
3. **Visually check** to make sure all cartridges have been removed from the rifle. Safely dispose of any cartridges involved in a malfunction incident. Do not use damaged ammunition in any firearm.

TO MINIMIZE MALFUNCTIONS ("JAMS")

Most malfunctions are caused by improper or damaged magazines, incorrect ammunition, or poor maintenance.

1. If it appears that the gun and magazine are not at fault and that the jam was caused by the type of cartridge being used, then try another type.
2. If changing to another type or brand of cartridges does not at once eliminate malfunctions, then the following steps should be taken:
 - a. **Make certain the gun and the magazine are unloaded and that the safety is "on". Remember, the magazine should be removed first, then check the chamber and be certain it and the magazine-well are clear of cartridges.**
 - b. Thoroughly clean the magazine and bolt mechanism, paying particular attention to removing accumulated grease. Use a bristle brush and solvent

to remove grease and fouling from the bolt face, the extractor, the chamber, and the feed ramp. (See the “Care and Cleaning” section of this manual for detailed cleaning instructions.)




c. Check to see that the magazine spring tension is adequate. (See p. 24.)

d. Check the magazine lips to be certain they are free of nicks and burrs and are not deformed.

e. Remove excess oil and solvent from all cleaned components, load the magazine, and try the firearm again. As always, proceed slowly. **Be certain bystanders are not close and that you are wearing eye and hearing protection and that your face is a safe distance from the rifle so that any discharge resulting from a jammed cartridge will not injure anyone.**

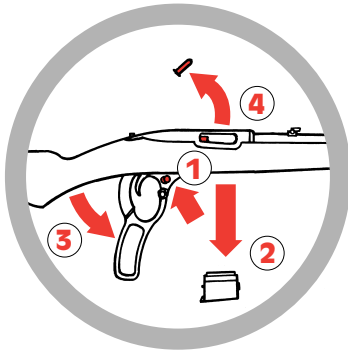
If the above procedures do not result in a smooth and reliably functioning firearm, don't use the gun. The rifle can be returned directly to our Newport, New Hampshire Product Service Department for repair. See the Service and Parts Policy section of this manual for packing and shipping information.

Another precaution: When using any firearm chambered for rimfire cartridges, form the habit of examining fired cartridge cases. If they have bulged heads or frequently show splits on any part of the case, the firearm should be returned to the factory for inspection.

 WARNING – MALFUNCTIONS	
	The .22 Long Rifle rimfire cartridge fires when the firing pin impacts the relatively soft cartridge case rim, and also can be “discharged” before it is chambered if its rim receives a sharp blow. If a cartridge hangs up, jams, or binds when being chambered or when being fed from the magazine into the chamber, do not attempt to force it into the chamber by pushing or striking the bolt. Any jam or feeding problem is a signal to immediately stop using the gun until it can be determined what is wrong. Most failures of a cartridge to feed or to chamber are caused by a damaged magazine, improper gun handling, or defective ammunition. Whatever the cause, cartridge jams can result in the potentially dangerous situation of a cartridge discharging before it is chambered. If this occurs, the cartridge case will rupture and its fragments will fly out of the gun with sufficient force to cause injury. Always wear shooting glasses and hearing protectors! Keep face away from chamber!
	CRUSHING RIM OR PRIMER CAN BURST AMMUNITION



WARNING – DISASSEMBLY

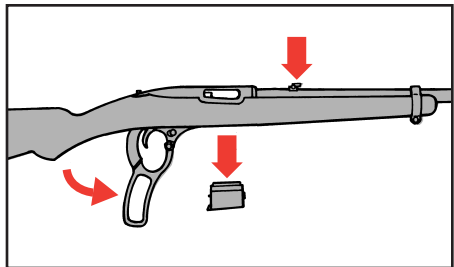


Always unload a firearm before cleaning, lubrication, disassembly or assembly.

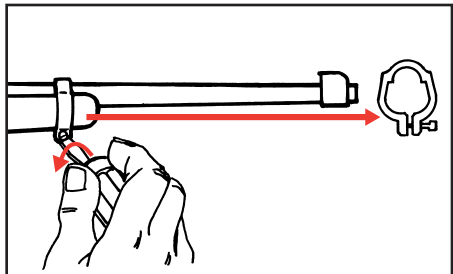
**UNLOAD BEFORE
CLEANING**

TO DISASSEMBLE

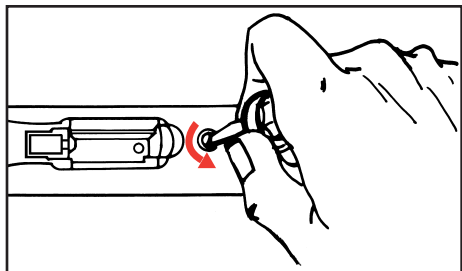
1. With the rifle pointing in a safe direction, remove the magazine. Fully open the lever and bolt to make certain there is not a cartridge in the chamber. The rear sight leaf should be down, and the internal hammer should be cocked. Keep the lever open and the safety “on.”



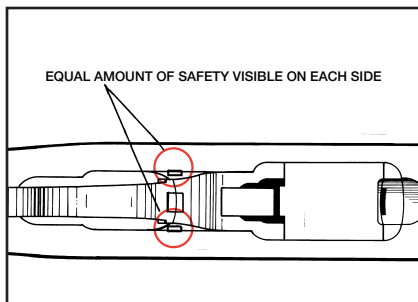
2. Loosen the barrel band screw (B-69) and remove the barrel band (L06801).



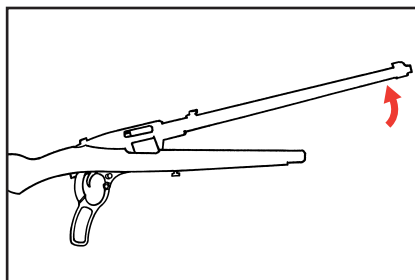
3. Loosen the take-down screw (L04701) completely, but note that it will not come out of the stock.



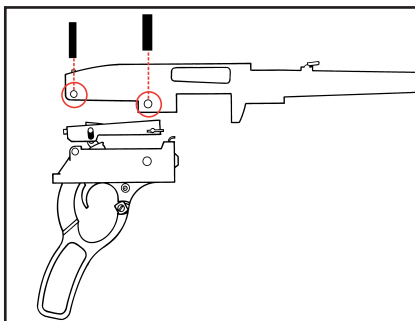
4. Position the safety so an equal amount of the button is exposed on each side. If the safety is not in the middle when the barrel-receiver assembly is lifted out of the stock, the stock will be damaged. Make sure the lever is open.



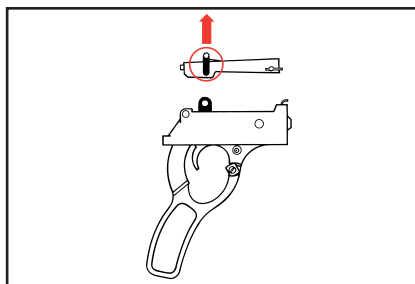
5. Swing the barrel-receiver assembly upward away from the forearm of the stock. Be careful the two receiver cross pins (B-5 & B-46) and bolt stop pin (L00601) do not fall out.



6. To remove the lever housing, again make sure the lever is fully open. Drift out the two larger diameter receiver pins with a small diameter screw driver or punch. Do not drive out any of the smaller pins. Do not disassemble the components of the lever housing assembly. The bolt is removed together with the lever housing.



7. The bolt is separated from the lever by pushing out the bolt link pin (L04900).

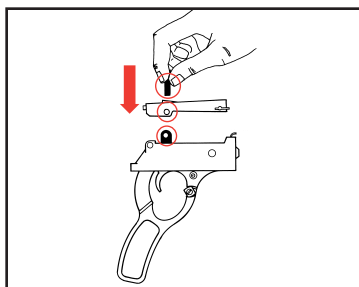


This is the extent of disassembly required for routine inspection, cleaning and lubrication. Further disassembly is not recommended.

REASSEMBLY

1. Reassembling the bolt to the lever:

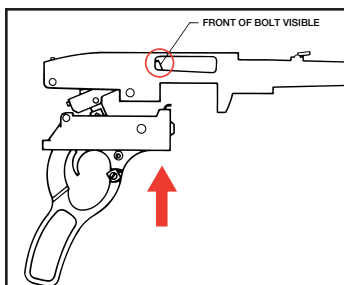
Open the lever. Insert the lever locking link (L00900) on the top of the lever housing into the slot in the bottom of the bolt. Align the hole in the link with the hole in the side of the bolt. Insert the bolt link pin (L04900) into the hole in the side of the bolt and push it through the hole in the link until the pin is flush with the sides of the bolt.



NOTE: Keep assembly level. Until the lever housing and receiver are reassembled, tipping the housing sideways may allow the bolt link pin to fall out of the bolt.

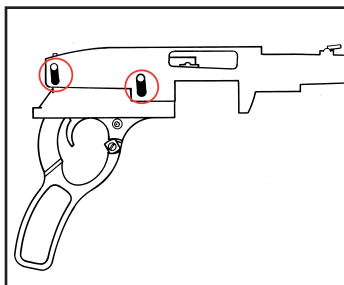
2. Reassembling the lever housing:

With the lever open, assemble the bolt and lever housing to the receiver. The back of the bolt should be against the back of the lever housing as the bolt is inserted into the receiver. Push the front of the bolt upward as you slowly push the lever housing into the receiver until the front of the bolt is visible in the ejection port.



3. Reassembling the receiver:

The lever housing can now be pushed upward fully into place and the two receiver pins can be pushed into their respective holes, locking the receiver and lever housing together.

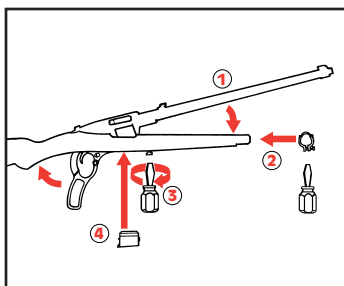


4. Reassembling the remainder of the rifle:

Assemble the barrel - receiver to the stock by following (in reverse order) steps 1 through 5 under the "Disassembly" instructions.

5. Check functioning of assembled rifle. **Be sure it is unloaded!**

Only now should the lever be fully closed. Close the lever and open it a few times. The bolt should lock, unlock, and retract smoothly, and the safety should operate normally.



GUNS SHOULD NOT BE STORED LOADED OR COCKED!

MAGAZINE INSPECTION AND CARE

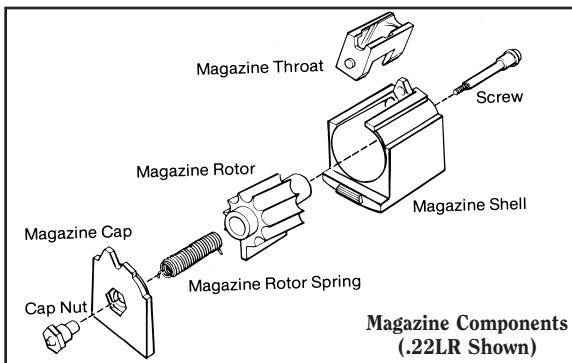
Check the magazine frequently. The rotor must move freely and have adequate tension so that each cartridge is quickly raised to the feeding position. At the time of manufacture, proper rotor tension is set in the .22 caliber magazines by rotating the magazine cap nut until the rotor stops turning. Then the nut is turned an additional 1 1/4 turns beyond the 'stop' position. The .44 magnum magazine is automatically tensioned (rotor wound 1 1/2 turns) if properly assembled.

To test the rotor tension, load one cartridge into the magazine and then firmly press against the side of the cartridge case. Remove your finger quickly. The cartridge should instantly and fully move in to the feeding position. If it does not, the magazine should be cleaned. **If cleaning does not restore proper rotor tension, do not use the magazine.** (NOTE: After testing, remove the test cartridge.)

When cleaning is necessary, use a solvent that will not rust the metal components or adversely affect the plastic magazine box. After the magazine has been soaked in solvent to loosen foreign matter, be certain to shake it vigorously (with the loading opening away from you) to remove solvent or residue from within the magazine.

After cleaning, always check to be certain that rotor movement and tension are correct, and that no solvent or debris remain. Do not disassemble the magazine. **Improper reassembly or improper tensioning of the rotor spring can cause a potentially dangerous malfunction. If you experience a problem with the magazine, don't use it. Get a new one.**

DAMAGED, NON-STANDARD, OR IMPROPERLY ASSEMBLED MAGAZINES SHOULD NOT BE USED. THEY CAN CAUSE THE RIFLE TO MALFUNCTION.



Exploded view of the magazine components. This illustration is included to show the relationship and names of the magazine components. As noted in the text above, the magazine should not be disassembled. The .22 Magnum, .17 HMR, and .44 magnum magazines are slightly different in dimension but are similar in concept and operation.

CARE AND CLEANING

Make Sure Gun is Unloaded!

Before cleaning, be certain the rifle and its magazine contain no cartridges. (See "To Unload," p. 17)

At regular intervals, or whenever the rifle has been exposed to sand, dust, extreme humidity, condensation, immersion in water, or other adverse conditions, disassemble, clean and oil it. Proper periodic maintenance is essential to the reliable functioning of any firearm.

To clean the rifle, proceed as follows:

1. Disassemble (field-strip) the rifle to the extent described on pages 21 & 22.
2. Using a cleaning rod, run a solvent-wetted patch through the bore several times. Then attach a solvent-wetted bristle brush to the rod and run it back and forth the full length of the bore as many times as necessary to remove grease and dirt from the bore and chamber. Clean bore with dry patches and examine. Bore fouling can contribute to reduced accuracy, and grease accumulation in the chamber can interfere with proper feeding of cartridges from the magazine.
3. Using powder solvent on a clean patch or bristle brush, remove powder residue from all components of the mechanism. After cleaning, run a dry patch through the bore, then follow with a patch that is very lightly oiled. Wipe all surfaces clean with cloth, then wipe all surfaces with a patch or cloth that has been very lightly oiled.
4. NOTE: Only a light application of oil is needed to provide adequate lubrication of moving parts and to prevent rust. Excess accumulations of oil tend to attract particles of dust and dirt and may congeal in cold weather which can interfere with the safe and reliable function of the rifle.

	WARNING – LUBRICATION
	<p>Firing a rifle with oil, grease, or any other material even partially obstructing the bore may result in damage to the rifle and serious injury to the shooter and those nearby. Do not spray or apply lubricants directly on ammunition. If the powder of a cartridge is affected by the lubricant, it may not be ignited, but the primer firing may push the bullet into the bore where it may be lodged. Firing a subsequent bullet into the obstructed bore may damage the rifle and cause serious injury or death to the shooter and those nearby. Use lubricants properly. You are responsible for the proper care and maintenance of your firearms.</p>
IMPROPER LUBRICATION DESTROYS GUNS	

STORAGE

GUNS SHOULD NOT BE STORED LOADED!

**USE THE LOCKING DEVICE SUPPLIED WITH THE RIFLE FOR STORAGE.
(SEE PAGE 5)**

Sturm, Ruger also offers gun safes for sale as a means to secure more than one firearm. Please call (801) 377-7199 for details and ordering information.


Do not store the rifle in a leather case or scabbard. Leather attracts moisture, even though the case may appear to be perfectly dry.

TO RENDER THE RIFLE INOPERATIVE FOR SAFE STORAGE

With the muzzle pointed in a safe direction, remove the magazine, open the bolt, and check the chamber to **be sure the rifle is completely unloaded!** Loosen barrel band screw and slide barrel band forward off stock. Move safety button to centered position and carefully lift barrel/receiver assembly out of the stock. Drift out receiver cross pins to the left and remove trigger housing assembly and bolt. Reassemble rifle without trigger housing assembly and bolt, which contain the firing mechanism.

Store the rifle and the trigger housing assembly in different locations. When disassembled in this manner, the rifle is inoperable. It is impossible to fire the rifle until the trigger housing assembly and bolt have been correctly replaced into the rifle.

To reassemble the rifle for firing, remove the barrel/receiver assembly from the stock as above and reinstall the trigger housing and bolt. Replace the receiver cross pins to secure the trigger housing to the receiver. With the safety in the centered position, carefully reinstall the barrel/receiver/trigger housing into the stock. Check to be sure the bolt, lever, trigger, and safety mechanisms can be operated fully and freely. The rifle is now reassembled and can be loaded and fired normally.

 WARNING – STORAGE	
	<p>Never place or store any firearm in such a manner that it may be dislodged. Firearms should always be stored securely and unloaded, away from children and careless adults. Use the locking device supplied with the rifle for storage.</p> <p>The use of a locking device or safety lock is only one aspect of responsible firearms storage. For increased safety, firearms should be stored unloaded in a location that is both separate from their ammunition and inaccessible to children and any other unauthorized person.</p>
STORE SECURELY & UNLOADED	

While the rifle is less likely to be used by unauthorized persons when disassembled in the above manner, it is always safest to store any firearm with the supplied locking device correctly installed, or to store the firearm in a gun safe or other secure location away from children and unauthorized adults. Guns should always be stored securely, unloaded and separate from their ammunition.

ATTACHING SCOPE BASE ADAPTER (.22 & .17 HMR Caliber Rifles Only)

1. Swing lever fully downward to open bolt and push safety to “on” position. **Be sure gun is completely empty.**
2. Unscrew the four filler (headless) screws from the receiver. These screws may be quite tight.



3. Position adapter on receiver and place a base-mounting screw in each hole of the adapter. Turn each screw until it just catches the threads in the receiver hole, but don't tighten the screws at this point.
4. Starting at the first screw, turn each screw part way in; then move to the next screw, repeating the procedure until all four screws are snugly tightened.
5. Operate the lever to open and close the bolt several times, permitting it to fully open and shut. If the bolt seems to bind, determine which screw is binding the top of the bolt. If it is necessary to shorten a screw, be certain to chamfer it so it does not cross thread the hole in the receiver.
6. Attach scope bases and scope to the adapter in accordance with their instructions.

Scope mounting precautions: Do not remove the scope base filler screws (there are four in the receiver) unless the supplied scope base adapter or other suitable base is to be mounted with properly fitting screws. Do not deepen or alter the screw holes that are in the Ruger Model 96. Do not place any sealant into the screw holes in the receiver, as the sealant can drip into the bolt or receiver and cause malfunctions.

ATTACHING RUGER SCOPE RINGS (.44 Magnum Rifles Only)

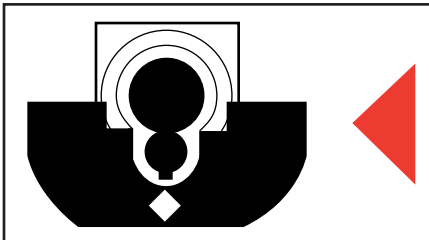
Each Ruger telescope ring is a mated assembly of a top and a base. Do not mix the parts of the two ring assemblies as they are not interchangeable. On the underside of each mounting ring assembly there is an integral lug, located off center with respect to the front and back sides of the mount. The lug is nearer to the front surface. By reference to the lug, the mounting ring can be correctly assembled with the front of the ring toward the muzzle of the rifle.

1. Disassemble one ring and reassemble over the scope body between the turret and the eyepiece. Remember - the lug on the base should be on the front side of the scope.
2. Install the four top screws. Do not tighten.
3. Disassemble the other ring and install it on the forward section of the scope tube with the lug forwardly also. Install the four top screws. Again, do not tighten.
4. Assemble the rings to the receiver with the lugs engaging the recesses in the top surface of the receiver. You may have to slide the scope rings along the scope tube to properly locate them with the receiver recesses. Tighten the clamp nuts so that the rings are locked to the semicircular cuts on the sides of the receiver.
5. Rotate the scope until cross-hairs are aligned properly and slide scope to desired eye relief. Then tighten the eight top screws each a bit at a time to grip the scope body.
6. Sight in according to the directions with your scope.

SIGHT ADJUSTMENT

The folding leaf rear sight is adjustable for elevation. The slide must be moved one graduation to change the point of impact by approximately one inch at 25 yards. Use a small screwdriver with a blade tip that exactly fits the screw-head. Loosen the screws only slightly so the slide doesn't move too freely. Move the slide in the direction you want the point of impact of the bullet to move. When the slide is positioned at the desired height, carefully tighten both screws.

Lateral (windage) adjustment is made by 'drifting' the sight base in its slot. Place a short brass rod against the sight base (and only the base) and tap the sight in the direction you wish to move the point of bullet impact. Before moving the sight, pencil mark an index line on the sight base and rib so that sight movement can be detected.



SUGGESTED SIGHT PICTURE

Top of front sight even with top of rear sight slide. Front sight centered in notch of rear sight slide. Target bulls-eye centered on top of front sight.

SERVICE AND PARTS POLICY

If you have any question with regard to the performance of your **RUGER® MODEL 96™** rifle please write or call (603-865-2442) our Product Service Department in Newport, New Hampshire 03773, fully describing all circumstances and conditions involved. If you should return your rifle to the factory for repair, or order parts for it, please comply with the following suggestions for prompt service:



WARNING: BEFORE SHIPPING ANY FIREARM, BE ABSOLUTELY CERTAIN THAT IT AND ITS MAGAZINE ARE UNLOADED. DO NOT SHIP CARTRIDGES WITH A FIREARM.

SHIPPING FIREARMS FOR REPAIR

RUGER® MODEL 96™ rifles returned to the factory for repair should be sent to: Sturm, Ruger & Company, Inc., Product Service Department, 411 Sunapee St., Newport, New Hampshire 03773. Telephone (603) 865-2442.

Guns should be sent prepaid. We will not accept collect shipments.

The Federal Gun Control Act, as well as the laws of most States and localities, do not prohibit an individual (who is not otherwise barred from purchasing or possessing a firearm) from shipping a firearm directly to the manufacturer for repair. However, before you ship your rifle to us, be certain that your State or locality does not have a law or regulation which will prohibit you from receiving the rifle from us after it has been repaired. If such receiving is prohibited, then please have a Federally Licensed firearms dealer ship the gun to us. If your rifle is sent to us by a dealer, it will be returned to him after being repaired. If a handgun (pistol or revolver) is shipped by an individual who does not hold a Federal Firearms License, it must be shipped for overnight delivery via U.P.S., Federal Express or other, similar private overnight service. NOTE: Firearms may not be shipped via U.S. Mail. Persons who do not hold a Federal Firearms License are prohibited by Federal law from shipping a handgun by Mail. Handguns mailed in violation of the law are impounded by the Post Office.

Please do not include rifle case, sling, telescopic sights or custom accessories with a firearm being shipped to the factory for service. **DO NOT SEND GUN BOXES OR LITERATURE THAT YOU CONSIDER TO BE COLLECTOR'S ITEMS – THESE ARE INVARIABLY DAMAGED OR DESTROYED IN SHIPMENT.** Rifles and shotguns may be shipped via Parcel Post. Always insure your shipment.

Enclose a letter which includes your name, address, telephone number, serial number and model of the firearm. Describe in detail the trouble you have experienced with your firearm, or the work you wish to have done. Merely stating that the firearm “needs repair” is inadequate information.

Work performed will bear a net minimum labor charge of \$20.00 plus a \$12.00 shipping and handling charge. The charge for rebluing the **RUGER® MODEL 96™** rifle is \$50.00 plus a \$12.00 shipping and handling charge. Aluminum alloy components cannot be reblued. Custom gunsmithing service or nonstandard alterations are NOT AVAILABLE from Ruger Product Service Departments.



WARNING – PARTS PURCHASERS



It is the purchaser's responsibility to be absolutely certain that any parts ordered from the factory are correctly fitted and installed. Firearms are complicated mechanisms and **IMPROPER FITTING OF PARTS MAY RESULT IN A DANGEROUS MALFUNCTION, DAMAGE TO THE FIREARM, AND SERIOUS INJURY TO THE SHOOTER AND OTHER PERSONS.** The purchaser and installer of parts must accept full responsibility for the correct adjustment and functioning of the firearm after such installation.

PARTS MUST FIT CORRECTLY

ORDERING PARTS

Please contact the New Hampshire Product Service Department for parts availability and current prices. All part orders for the **RUGER® MODEL 96™** should be sent to: Sturm, Ruger & Co., Inc., Product Service Department, 411 Sunapee Street, Newport, New Hampshire 03773, 603-865-2442. We cannot comply with open account or C.O.D. orders. Payment in the form of a check, money order, Visa or Mastercard must accompany your order. Credit Card orders must include the account number, expiration date and whether it is a Visa or Mastercard account. Minimum parts order is \$1.00 plus \$3.50 shipping and handling charge. Order parts by Part Name and Part Number and include the entire serial number of the firearm for which the parts are being ordered. There is a minimum net labor charge of \$20.00 plus \$12.00 shipping and handling charge if the parts are factory fitted. All factory fitted parts are fit on an exchange basis only. We will not return the replaced parts.

*Parts designated by an asterisk must be factory fitted. These parts are fitted on an exchange basis only. We will not return the replaced parts. We will not return any part that is broken, malfunctioning, badly worn or has been modified. See "Warning – Parts Purchasers" above.



CAUTION: A gun containing modified, broken, malfunctioning, or badly worn parts should not be fired.

RUGER® MODEL 96™

PARTS LIST

Design, prices and specifications subject to change without notice.

SPECIFY MODEL AND CALIBER WHEN ORDERING

(See Exploded Views Pages 36, 37 & 38)

Part Name	Part No.	Model
* Barrel	0L8001	96/22 Long Rifle
* Barrel	0L8002	96/22 Magnum
* Barrel	0L8003	96/44 Magnum
* Barrel	0L8004	96/17
Barrel Band	L06801	96/22 Long Rifle, 96/22 Magnum, 96/17
Barrel Band	L06821	96/44 Magnum
Barrel Band Screw	B-69	All Models
Barrel Retainer, V-Block	B-66	96/22 Long Rifle, 96/22 Magnum, 96/17
Barrel Retainer Screw, 2 Req'd.	B-67	96/22 Long Rifle, 96/22 Magnum, 96/17
* Bolt Only	KL01001	96/22 Long Rifle
* Bolt Only	KL01002	96/22 Magnum, 96/17
* Bolt Only	KL01021	96/44 Magnum
* Bolt Assembly, Complete	KL21001	96/22 Long Rifle
* Bolt Assembly, Complete	KL21002	96/22 Magnum, 96/17
* Bolt Assembly, Complete	KL21021	96/44 Magnum
Bolt Link Pin	L04900	All Models
* Bolt Stop Pin	L00601A	96/22 Long Rifle, 96/22 Magnum, 96/17
Butt Plate	C-63	All Models

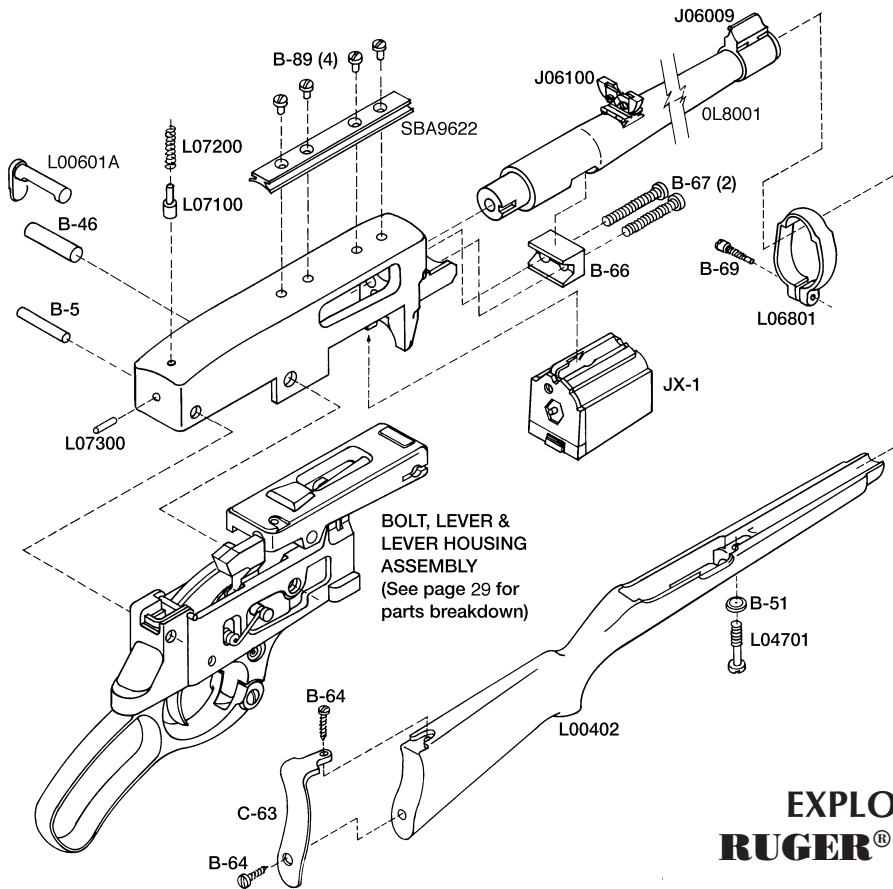
Part Name	Part No.	Model
Butt Plate Screw, 2 Req'd.	B-64	All Models
Cartridge Support	KJ01500	96/22 Long Rifle, 96/22 Magnum, 96/17
Cartridge Support Plunger	KJ01600	96/22 Long Rifle, 96/22 Magnum, 96/17
Cartridge Support Spring	J00700	96/22 Long Rifle, 96/22 Magnum, 96/17
Ejector	L00800	96/22 Long Rifle, 96/22 Magnum, 96/17
Ejector	L00820	96/44 Magnum
Ejector Pin	L04100	All Models
Escutcheon	B-51	96/22 Long Rifle, 96/22 Magnum, 96/17
Escutcheon	L05100	96/44 Magnum
Extractor	KJ01402	96/22 Long Rifle, 96/22 Magnum, 96/17
Extractor	L01421	96/44 Magnum
Extractor Pivot Pin	L05800	96/44 Magnum
Extractor Plunger	KJ01600	96/22 Long Rifle, 96/22 Magnum, 96/17
Extractor Spring	J01900	96/22 Long Rifle, 96/22 Magnum, 96/17
Extractor Spring	L05700	96/44 Magnum
Firing Pin	L01101	96/22 Long Rifle, 96/22 Magnum, 96/17
Firing Pin	L01121	96/44 Magnum
Firing Pin Spring	L01200	All Models
Firing Pin Retaining Pin	L01300	All Models
Front Mounting Block	L05601	96/44 Magnum
Front Mounting Screw	J04701	96/44 Magnum
Front Sight	J06009	96/22 Long Rifle, 96/22 Magnum, 96/17
Front Sight, w/Gold Bead	B27501	96/44 Magnum
* Hammer Assembly	L21701	All Models

Part Name	Part No.	Model
Hammer Pivot Pin	L02600	All Models
Hammer Roller	L00710	All Models
Hammer Roller Pin	L00700	All Models
Hammer Spring, Right	L01800	All Models
Hammer Spring, Left	L01810	All Models
Hammer Spring Support Pin	L02500	All Models
Indicator Lifter	L06900	All Models
Indicator Lifter Pivot Pin	L03500	All Models
Indicator Pin	L07100	All Models
Indicator Retainer	L07300	All Models
Indicator Spring	L07200	All Models
* Lever Assembly	L20501	96/22 Long Rifle, 96/22 Magnum, 96/17
* Lever Assembly	L20521	96/44 Magnum
Lever Detent Plunger	L04500	All Models
Lever Detent Plunger Spring	L04601	All Models
* Lever Housing Assembly	L20201	96/22 Long Rifle
* Lever Housing Assembly	L20211	96/22 Magnum, 96/17
* Lever Housing Assembly	L20221	96/44 Magnum
Lever/Link Pin	L04800	All Models
Lever Locking Link	L00900	All Models
Lever Pivot Bushing	L04300	All Models
Lever Pivot Screw	L04400	All Models
Magazine, Complete, 10-Shot Capacity	JX-1	96/22 Long Rifle
Magazine, Complete, 9-Shot Capacity	JMX-1	96/22 Magnum, 96/17

Part Name	Part No.	Model
Magazine, Complete, 4-Shot Capacity	MAG/9644	96/44 Magnum
Magazine Latch Lever Assembly	L23401	96/22 Long Rifle
Magazine Latch Lever Assembly	L23411	96/22 Magnum, 96/17
Magazine Latch Lever Assembly	L23421	96/44 Magnum
Magazine Latch Pivot Pin	L03500	All Models
Magazine Latch Plunger	L03601	96/22 Long Rifle
Magazine Latch Plunger	L03611	96/22 Magnum, 96/17
Magazine Latch Plunger	L03621	96/44 Magnum
Magazine Latch Spring	L03700	96/22 Long Rifle, 96/22 Magnum, 96/17
Magazine Latch Spring	L03701	96/44 Magnum
Rear Sight	J06100	96/22 Long Rifle, 96/22 Magnum, 96/17
Rear Sight	D-77	96/44 Magnum
Receiver Cross Pin	B-46	All Models
Receiver Cross Pin	B-5	All Models
Receiver Filler Screws, 4 Req'd., Not Illustrated	C-83	96/22 Long Rifle, 96/22 Magnum, 96/17
* Safety Button	L05201	All Models
Safety Detent Plunger	B-53	All Models
Safety Detent Plunger Spring	B-54	All Models
Scope Base Adapter, With 4 Screws	SBA9622	96/22 Long Rifle, 96/22 Magnum
Scope Base Adapter, With 4 Screws	L-88BP	96/17
Scope Base Screws, 4 Req'd.,	B-89	96/22 Long Rifle, 96/22 Magnum, 96/17
Scope Ring Assembly, Medium Rings	S100RM	96/44 Magnum
Scope Ring Clamp	D-74	96/44 Magnum

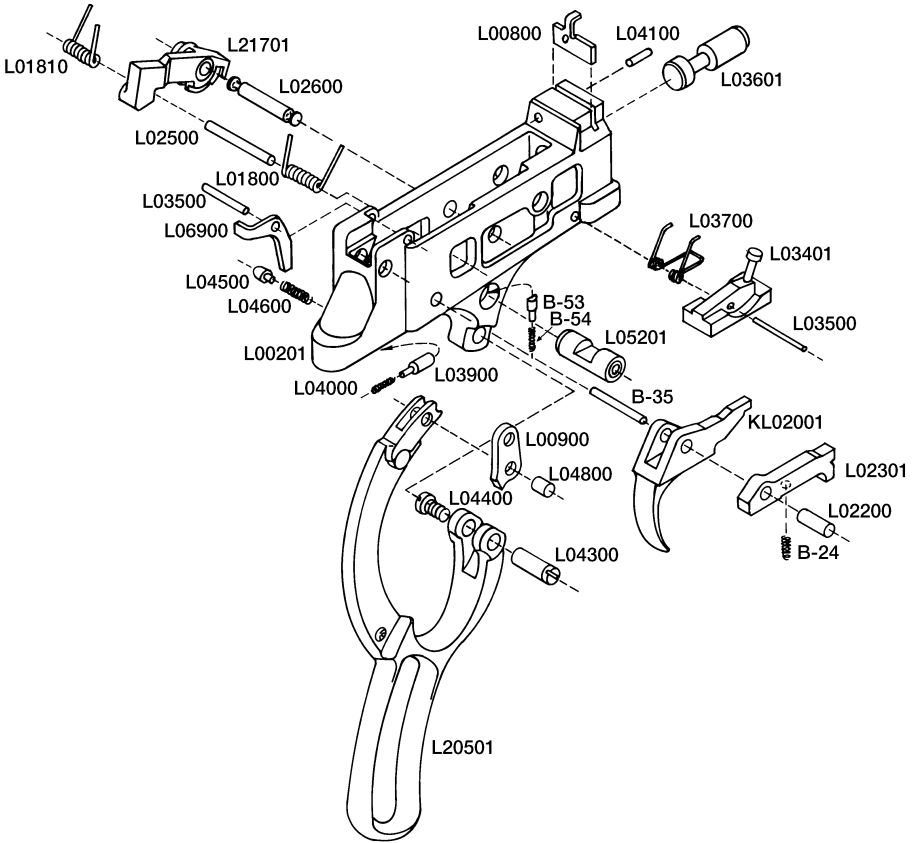
Part Name	Part No.	Model
Scope Ring Nut	D-73	96/44 Magnum
Scope Ring Screw, 4 Req'd	D-76	96/44 Magnum
* Sear	L02301	All Models
Sear Spring	B-24	All Models
Stock Assembly, Complete	L00402	96/22 Long Rifle, 96/22 Magnum, 96/17
Stock Assembly, Complete	L00422	96/44 Magnum
Take-Down Screw	L04701	96/22 Long Rifle, 96/22 Magnum, 96/17
Trigger	KL02001	All Models
Trigger Pivot Bearing	L02200	All Models
Trigger Pivot Pin	B-35	All Models
Trigger Plunger	L03900	All Models
Trigger Plunger Spring	L04000	All Models

* PARTS SO MARKED MUST BE FACTORY FITTED

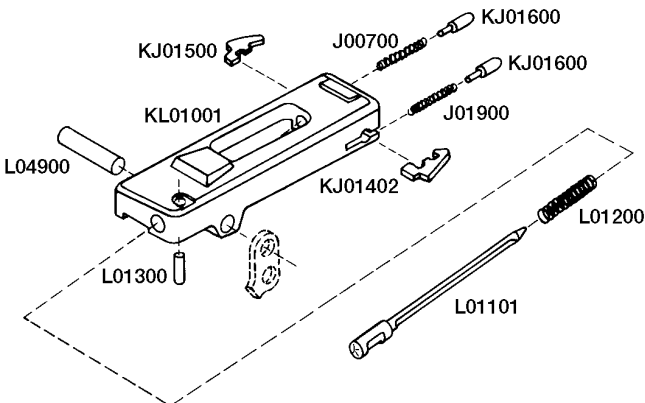


EXPLODED VIEW
RUGER® MODEL 96™

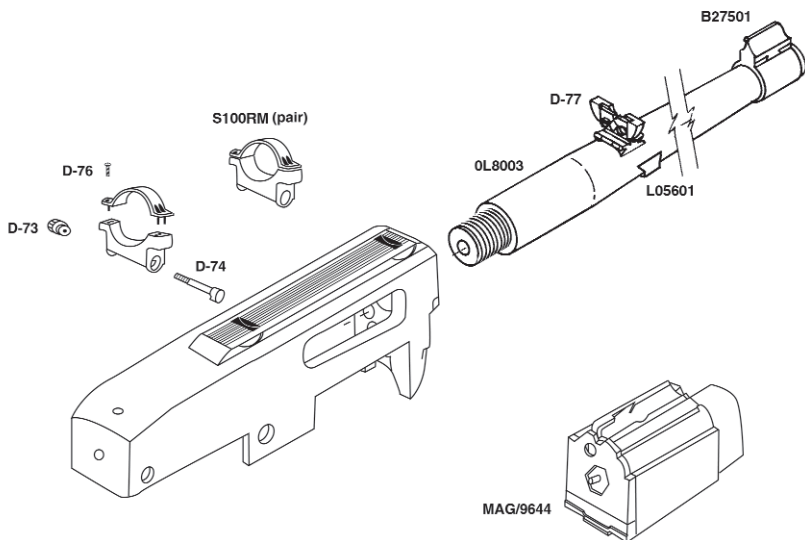
RUGER® MODEL 96™ LEVER HOUSING ASSEMBLY



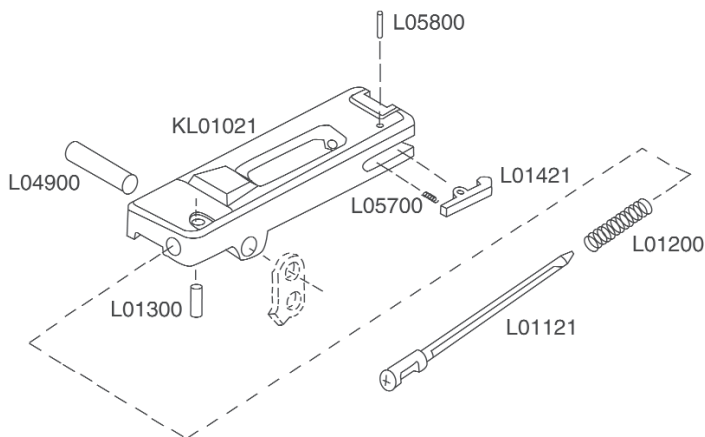
RUGER® MODEL 96™ .22 LR & .22 WMR BOLT ASSEMBLY



RUGER® MODEL 96™ .44 MAG. COMPONENT PARTS



RUGER® MODEL NINETY-SIX .44 MAG. BOLT ASSEMBLY



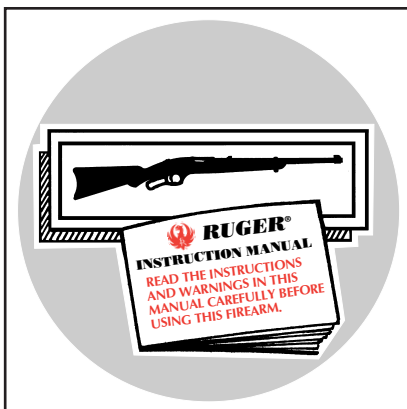
THE BASIC RULES OF SAFE FIREARMS HANDLING

We believe that Americans have a right to purchase and use firearms for lawful purposes. The private ownership of firearms in America is traditional, but that ownership imposes the responsibility on the gun owner to use his firearms in a way which will ensure his own safety and that of others. When firearms are used in a safe and responsible manner, they are a great source of pleasure and satisfaction, and represent a fundamental part of our personal liberty.

Firearms do not cause accidents! Firearms accidents are almost always found to have been the result of carelessness, or ignorance on the part of the shooter of the basic rules of safe gun handling.

The following rules must be observed by gun users at all times. Safe gun handling is not just desirable, it is absolutely essential to your safety, the safety of others, and the continuation of gun ownership and sport shooting as we know it today.

1. LEARN THE MECHANICAL AND HANDLING CHARACTERISTICS OF THE FIREARM YOU ARE USING.



Not all firearms are the same. The method of carrying and handling firearms varies in accordance with the mechanical provisions for avoiding accidental discharge and the various proper procedures for loading and unloading. No person should handle any firearm without first having thoroughly familiarized himself with the particular type of firearm he is using, and with safe gun handling in general.

2. ALWAYS KEEP THE MUZZLE POINTED IN A SAFE DIRECTION.

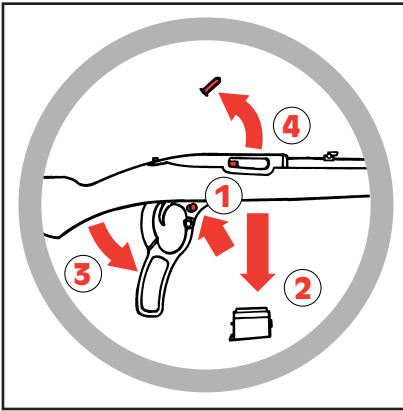


Be sure of the bullet stop behind your target, even when dry-firing. Never let the muzzle of a firearm point at any part of your body or at another person. This is particularly important when loading or unloading a firearm. In the event of an accidental discharge, no injury can occur as long as the muzzle is pointing in a safe direction. A safe direction means a direction which will not permit a

discharged bullet to strike a person, or to strike an object from which the bullet may ricochet.

A safe direction must take into account the fact that a bullet may penetrate a wall, ceiling, floor, window, etc., and strike a person or damage property. Make it a habit to know exactly where the muzzle of your gun is pointing whenever you handle it, and be sure that you are always in control of the direction in which the muzzle is pointing, even if you fall or stumble. Keep your finger off the trigger until you are ready to shoot.

3. FIREARMS SHOULD BE UNLOADED WHEN NOT IN USE.



Firearms should be loaded only when you are in the field or on the target range or shooting area, ready to shoot. Firearms and ammunition should be securely locked in safes, racks or cabinets, or by using the locking device supplied with the firearm, when not in use. Ammunition should safely be stored separate from firearms. Store your firearms out of sight of visitors and children. It is the gun owner's responsibility to be certain that children and

persons unfamiliar with firearms cannot gain access to firearms, ammunition, or components.

4. BE SURE THE BARREL IS CLEAR OF OBSTRUCTIONS BEFORE SHOOTING.

Even a bit of mud, snow or excess lubricating oil or grease in the bore may cause the barrel to bulge, or even burst on firing, and can cause serious injury to the shooter and bystanders. Be sure that you are using ammunition of the proper caliber and loading for the gun you are using. If the report or recoil on firing seems weak, or doesn't seem quite right, CEASE FIRING IMMEDIATELY, unload your firearm, and check to be sure that no obstruction has become lodged in the barrel. Never try to shoot out an obstruction!





5. BE SURE OF YOUR TARGET BEFORE YOU SHOOT.

Don't shoot unless you know exactly where your bullet is going to strike. Be sure of the bullet stop behind your target, even when dry-firing with an unloaded gun. If you are in the field hunting, do not fire at a movement or noise. Take the time to be absolutely certain of your target before you pull the trigger.

6. WEAR SHOOTING GLASSES AND HEARING PROTECTORS WHEN YOU SHOOT.

All shooters should wear protective shooting glasses and adequate hearing protectors when shooting. Exposure to shooting noise can damage hearing, and adequate eye protection when shooting is essential.

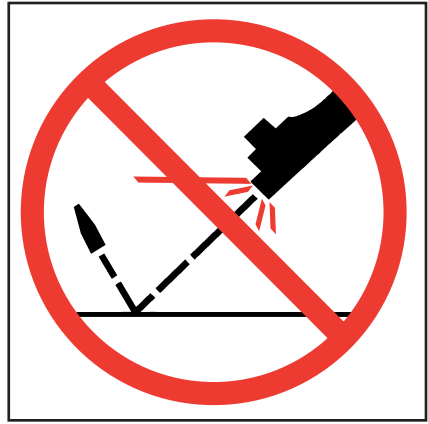


7. NEVER CLIMB A TREE OR FENCE WITH A LOADED FIREARM.

Put the firearm down carefully before climbing a fence, and unload it before climbing or descending a tree or jumping over a ditch or other obstruction. Never pull or push a loaded firearm toward yourself or another person. When in doubt, or whenever you are about to do anything awkward, unload your gun!

8. DON'T SHOOT AT A HARD SURFACE, OR AT WATER.

Bullets can glance off many surfaces like rocks or the surface of water and travel in unpredictable directions with considerable velocity.



9. NEVER TRANSPORT A LOADED FIREARM.

Firearms should always be unloaded before being placed in a vehicle. A suitable carrying case or scabbard should be used to carry an unloaded firearm to and from the shooting area.

10. AVOID ALCOHOLIC BEVERAGES WHEN SHOOTING.

Don't drink until the day's shooting is over. Handling firearms while under the influence of alcohol in any form, or medications that could affect your judgment or coordination, constitutes a criminal disregard for the safety of others.



A BRIEF ACCOUNT OF AN EXTRAORDINARY ACHIEVEMENT: RUGER FIREARMS

One of the few American firearms manufacturers whose management has remained in the same family since starting in business, Sturm, Ruger & Company, Inc., had its beginning in a small machine shop occupying a rented frame building in Southport, Connecticut. In January, 1949, with an initial investment of only \$50,000 and an idea, William B. Ruger and Alexander M. Sturm started production of a 22 caliber autoloading pistol—a design which was so successful that it became the cornerstone upon which one of the most comprehensive lines of sporting firearms ever made in America was established. After Alex Sturm's death in 1951, William B. Ruger continued to direct the Company until his death in 2002. Today, William B. Ruger, Jr. continues to provide guidance which has made this Company a sound and successful enterprise.

Sturm, Ruger & Company, in this relatively short time, has established itself as a leading small arms design organization, developing a unique and broad line of fine quality sporting, military and police firearms to become one of the world's most famous producers of revolvers, pistols, rifles and shotguns. Since 1949 Ruger craftsmen have built many millions of firearms.

During its five decades of growth and progress under the leadership of William B. Ruger, the Company developed a business philosophy and implemented policies which represent a constructive influence in the life of modern America. From the beginning, Sturm, Ruger & Company played a positive role in conservation efforts and has supported the interests of shooters through such groups as the National Rifle Association, National Shooting Sports Foundation, and many regional sportsmen's organizations.

The Company has always endeavored to market its firearms for constructive and recreational purposes, to emphasize the traditional aspects of shooting, to render meaningful public services and to encourage shooters in constructive, responsible, and safe participation in the shooting sports. Its motto is "Arms Makers For Responsible Citizens."

Today, Sturm, Ruger & Company is particularly mindful of those elements which have contributed to the creation of its success, and extends heartfelt thanks to its many loyal employees and customers.

A current catalog of Ruger firearms is available free upon request to
Sturm, Ruger & Co., Inc., Southport, CT 06890

WHY NO WARRANTY CARD HAS BEEN PACKED WITH THIS NEW RUGER FIREARM

The Magnuson-Moss Act (Public Law 93-637) does not require any seller or manufacturer of a consumer product to give a written warranty. It does provide that if a written warranty is given, it must be designated as "limited" or as "full" and sets minimum standards for a "full" warranty. Sturm, Ruger & Company, Inc. has elected not to provide any written warranty, either "limited" or "full", rather than to attempt to comply with the provisions of the Magnuson-Moss Act and the regulations issued thereunder. There are certain implied warranties under state law with respect to sales of consumer goods. As the extent and interpretation of these implied warranties varies from state to state, you should refer to your state statutes. Sturm, Ruger & Company wishes to assure its customers of its continued interest in providing service to owners of Ruger firearms.



STURM, RUGER & Company, Inc.
Southport, Connecticut 06890 U.S.A.

www.ruger.com

Arms Makers For Responsible Citizens®

**A COPY OF THE INSTRUCTION MANUAL FOR ANY RUGER
FIREARM IS AVAILABLE FROM THE FACTORY FREE ON REQUEST, OR IT MAY
BE DOWNLOADED FROM OUR WEBSITE AT WWW.RUGER.COM.
THESE INSTRUCTION MANUALS CONTAIN IMPORTANT
WARNINGS WHICH MUST BE UNDERSTOOD
BEFORE USING THESE FIREARMS.**

"Ruger 10/17," "22/45," "Model 96," "P90," "P91," "P93," "P94," "P95," "P97," "Ruger P345," "P345D," "Mark III," "P345PR," and "Super Redhawk Alaskan" are RUGER TRADEMARKS. "RUGER," THE STURM, RUGER LOGO, "AC-556," "Arms Makers For Responsible Citizens," "10/22," "All-Weather," "Bearcat," "Bisley," "Blackhawk," "Gold Label," "GP100," "Hawkeye," "M77," "Mini Thirty," "Mini-14," "Old Army," "P85," "Redhawk," "Ruger Titanium," "Ruger 77/17," "Ruger 77/22," "Ruger 77/44," "Ruger 77/50," "Ruger SP101," "Ruger Vaquero," "Security-Six," "Service-Six," "Single Six," "Speed-Six," the "SR" Design and "Target Grey" are REGISTERED U.S. TRADEMARKS. "DEERFIELD" is a registered trademark of Blount, Inc.