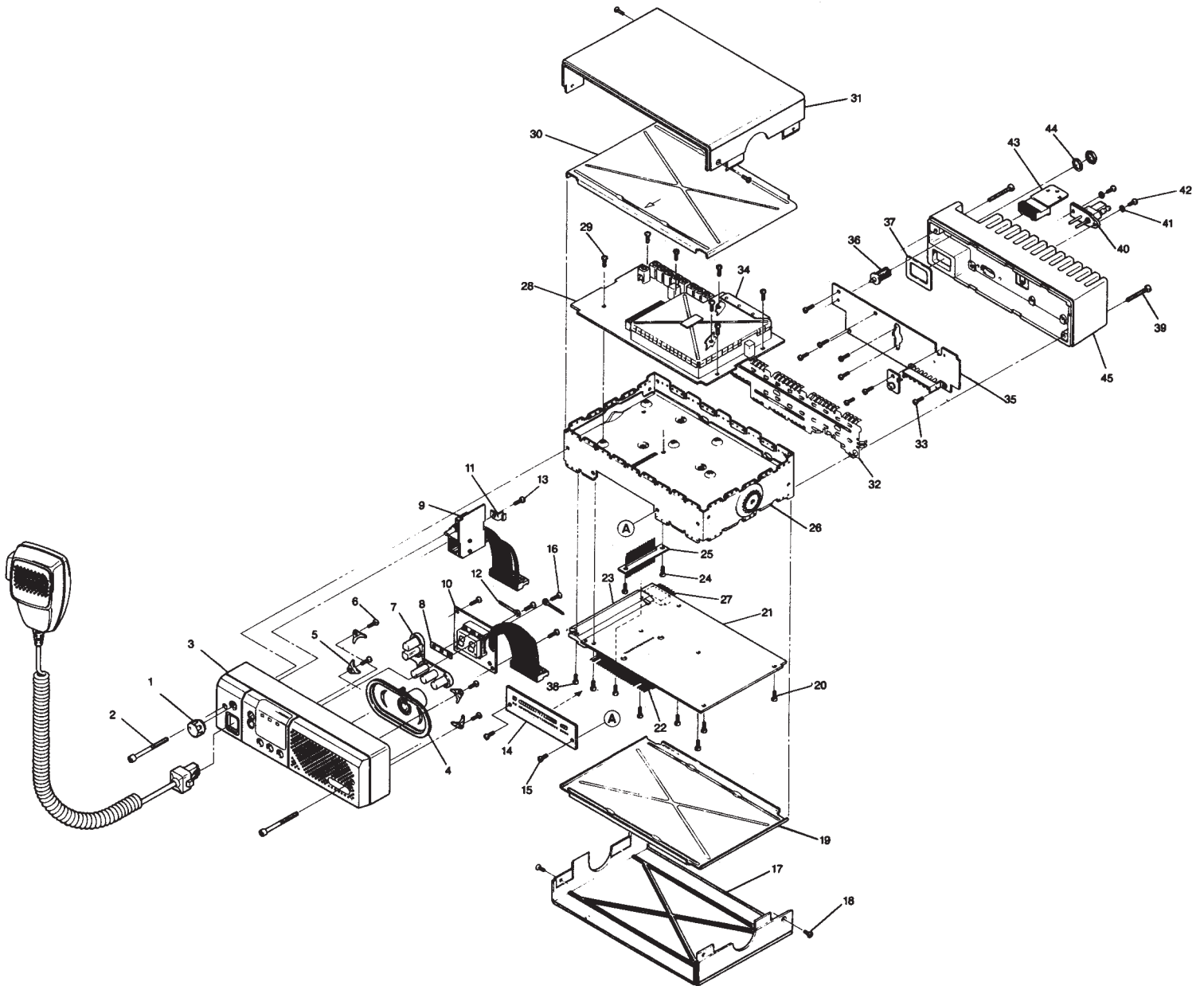


Parts List



GM300 Series

Parts List

REF. NO.	PART NO.	DESCRIPTION	REF. NO.	PART NO.	DESCRIPTION
1	3680106M03	Knob, control	24	0310943M09	Screw (M3.0 x 6.0); 2 used
2	0380270L01	Screw (M4.0 x 0.7 x 38) cap blk; 2 used	25	0180605B01	Feedthrough Assembly, RF/logic
3	1580516B01	Housing, front-panel, 8/16 freq.	26	2780496B01	Chassis
4	5080085D03	Speaker	27	2880923V01	Connector, 16 pin
5	4280253L01	Bracket, speaker; 4 used	28	---	Rf Bd.
6	0310945A11	Screw (M3.0 x 8.0) plastite; 2 used	29	0310943M09	Screw (M3.0 x 6.0); 7 used
7	7580517B01	Keypad, elastomeric, 8/16 freq.	30	2680498B01	Shield, chassis
8	3280039M01	Gasket, LED	31	1580127L01	Cover, housing
9	HLN8071B	Vol/Mic, cable assembly	32	2680223M07	Shield, PA
10	HLN8075A	Display PCB assembly, 8/16 freq.	33	0310943M10	Screw (M3.0 x 8.0); 8 used
11	0780037M01	Bracket, PCB retainer	34	2680229L03	Shield, VCO
12	2900129883	Lug	35	---	
13	0310945A11	Screw (M3.0 x 8.0) plastite	36	0980131M01	Antenna Connector, mini UHF
14	0180704Y83	Front Panel Filter PCB	37	3280014N03	Gasket, accessory connector
15	0310943M09	Screw (M3.0 x 6.0); 2 used	38	0310943M10	Screw (M3.0 x 8.0); 2 used
16	0310945A11	Screw (M3.0 x 8.0) plastite; 4 used	39	0380271L01	Screw (M4.0 x 27); 2 used
17	1580127L01	Cover, housing	40	0980255E01	Power Connector
18	0310943R55	Screw (M3.0 x 8.0); 4 used	41	0482418B09	Washer, power connector
19	0104001J47	Shield, chassis	42	0380043L01	Screw (M3.0 x 10); 2 used
20	0310943M09	Screw (M3.0 x 6.0); 6 used	43	0180701Y58	Connector Assembly
21	---	Logic Board	44	0480943V01	Lockwasher, antenna connector
22	2880600B02	Connector, 27 pin, J8 & J9	45	2680124L03	Heatsink, PA
23	2680497B01	Heatsink, logic board			

GM300 Series

Mobile Accessories

General Accessories

HLN8375A DTMF Decoder Board (GM300—16 channel model only)

HLN9457A Hardware Kit for use with the expanded accessory connector (includes 16 connector pins, (9) 8" wires with pins attached and an extra housing)

HLN9573A Shorting Plug Kit for microphone jack—used when application calls for a deskset (covers microphone jack)

Microphones and Accessories

HMN3596A Compact Palm Microphone with 7 Foot Coil Cord

HMN1035C Heavy Duty Palm Microphone with 10.5 Foot Coil Cord

HMN1037B Non-Backlit Touch-Code Microphone with Hang-Up Clip

AAREX4617A Telephone-style Handset Kit

HLN9073B Microphone Hang-Up Clip (all microphones)



HMN3596A



HMN1035C



HMN1037B

HLN9559A 7 Foot Coil Cord for Microphones (HMN1056 and HMN1035)

HLN9560A 10.5 Foot Extended Coil Cord for heavy duty microphones

External Speaker

HSN8145B 7.5 Watt External Speaker—for receiver audio



HSN8145B

Control Station Accessories

HKN4139C Power Cable for low control station 12V (1-45 watt models) for control stations shipped before 4/93

HLN3199C High Power Control Station Package (25-60 watt models)

HKN9455A Power Cable for high power control station (25-60 watt models) for control stations shipped before 4/93

HPN4002B Power Supply and Cable (1-25 watt)

HPN4001B Power Supply and Cable (25-60 watt models)

HMN3000B Desk Microphone, black

HMN1038E Desk Microphone, beige

HLN5292BR Base Station Tray

HKN9088B Mobile Mini-U Antenna Adapter – 8 foot cable



HMN1038E



HPN4002B

GM300 Series

Mobile Accessories

Public Address Accessories

HLN3145CR Public Address Kit (requires the HSN1000 accessory; includes 2 cables for mobile connection to public address box to speaker cables)

HKN9324AR 15 Foot Public Address/Speaker Cable (one cable per speaker)



HSN1000B 6 Watt Amplified Eternal Speaker for public address audio (minimum of 1 required)

Alarm Accessories

HLN9328C External Alarm Relay Cable—horn and lights

HLN9329B Emergency Push Button Alarm Cable

HLN9330B Emergency Footswitch Alarm Cable (GM300—16 channel only)



Installation Accessories

HKN4137A Low Power Cable to Battery

HKN9327BR Ignition Switch Cable

HKN9557A PL259/Mini-U Antenna Adapter—8" cable (not recommended for 800 MHz)

2880376E84 Mini-U Connector (all bands)



Mounting Accessories

HLN9284A Key Lock Mounting Bracket

HLN5189A Non-Locking Bracket

HLN8413A Slide Mount Tray Bracket for vehicle floor hump mount

HLN9404A Sleeve Mounting Bracket

HLN9450A 45-60 degree Floor Mount Wedge (GM300 – requires HLN9404 or HLN9100)

HLN9100B Three Point Mounting Bracket (for use with HLN9450)



Accessories, Antennas, Aids

Mounting Accessories

HLN5226B Extra Stability Mount

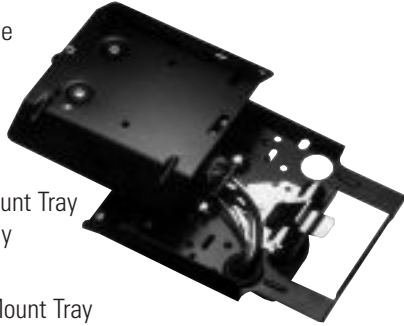
HLN8097A Removable Slide Mount Tray Package (a maximum of two external accessory wires can be attached to the slide tray)

HLN8098A Radio Slide Mount Tray (vehicle half of the slide tray package—HLN8097)

HLN8099A Vehicle Slide Mount Tray (vehicle half of the slide tray package—HLN8097)

HLN8144B Remote Mount Kit—8 foot (assumes use of power cable provided with radio)

HLN9027A In-Dash Bezel Mounting Kit



HLN8097A

Antennas

VHF

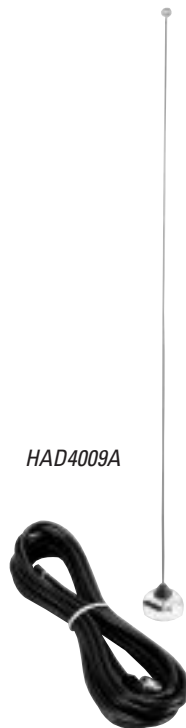
HAD4014A VHF 3 dB Gain Roof Mount Antenna, 140-174 MHz

HAD4006A VHF 1/4 Wave Roof Mount Antenna, 136-144 MHz

HAD4007A VHF 1/4 Wave Roof Mount Antenna, 144-152 MHz

HAD4008A VHF 1/4 Wave Roof Mount Antenna, 150.8-162 MHz

HAD4009A VHF 1/4 Wave Roof Mount Antenna, 162-174 MHz



HAD4009A

Antennas

UHF

HAE4002A UHF 1/4 Wave Roof Mount Antenna, 403-430 MHz

HAE4003A UHF 1/4 Wave Roof Mount Antenna, 450-470 MHz

HAE4004A UHF 1/4 Wave Roof Mount Antenna, 470-512 MHz

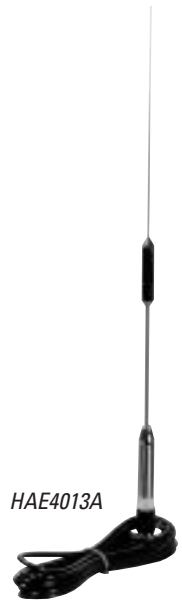
HAE4010A UHF 3.5 dB Gain Roof Mount Antenna, 406-420 MHz

HAE4011A UHF 3.5 dB Gain Roof Mount Antenna, 450-470 MHz

HAE4012A UHF 3.5 dB Gain Roof Mount Antenna, 470-495 MHz

HAE4013A UHF 3.5 dB Gain Roof Mount Antenna, 494-512 MHz

RAE4004ARB UHF 5 dB Gain Roof Mount Antenna, 450-470 MHz



HAE4013A

Service Aids

Computer Interface Cable

Used to connect computer's serial port to Radio Interface Box.

3080369B71 Computer Interface Cable; RIB to 25 pin D

3080369B72 Computer Interface Cable; RIB to 9 pin D

Radio Interface Box

Links radio programming cable and computer interface together. Provides required voltage shift to enable communications between radio and computer. Requires computer interface cable, radio programming cable and a 9 volt snap type battery (6082728J01) or wall mount power supply. Order separately.

RLN4008E Radio Interface Box



RLN4008E

GM300 Series

Service Aids, Tools, Manuals

Service Aids



0180357A57

Wall Mounted Power Supply

Used to supply power to Radio Interface Box.

0180357A57 Wall Mounted Power Supply (110 volts)

0180358A56 Wall Mounted Power Supply (220 volts)

Programming Software

This software enables you to add or reprogram frequencies as your requirements change. Compatible with IBM XT, AT, Model 30, 50, 60 and 80. Requires Radio Interface Box and proper cables; order separately.

HVN8177F Programming Software, includes diskettes (3-1/2" and 5-1/4"), manual, binder, and storage box. Programs GM300, GR300, GR500, M10, M120 and M130 radios.

Program Test Cable

Acts as a link between RIB and radio; required to program radio

3080070N01 Program/Test Cable

Power Supply Cable

HKN4191B Power Supply Cable, High Power (60 watt), replaces HKN9402A

HKN4137A Mobile Power Cable, Low Power (25 watt)

Service Tools



RSX4043A

Torque Screwdriver

Measures the amount of torque being applied. Recommended for precise radio assembly. Bits must be ordered separately.

RSX4043A Adjustable Torque Screwdriver

Service Tools

Crimping Tool

For custom installations requiring crimping of Mini-UHF RF connector.

6680388A26
Crimping Tool



6680388A26

Test Adapter

Used to manually key radio. Must be attached to Program/Test Cable

RLN4137A Test Adapter



RLN4137A



6680388A13

Battery Cable Adapter

6680388A13 Side Mount Battery Cable Adapter

Antenna Adapter

5880367B22 Mini-UHF Adapter

2880376E84 Mini-UHF Adapter



5880367B22

Manuals

6880902Z09 Owners Manual

6880902Z32 Service Manual