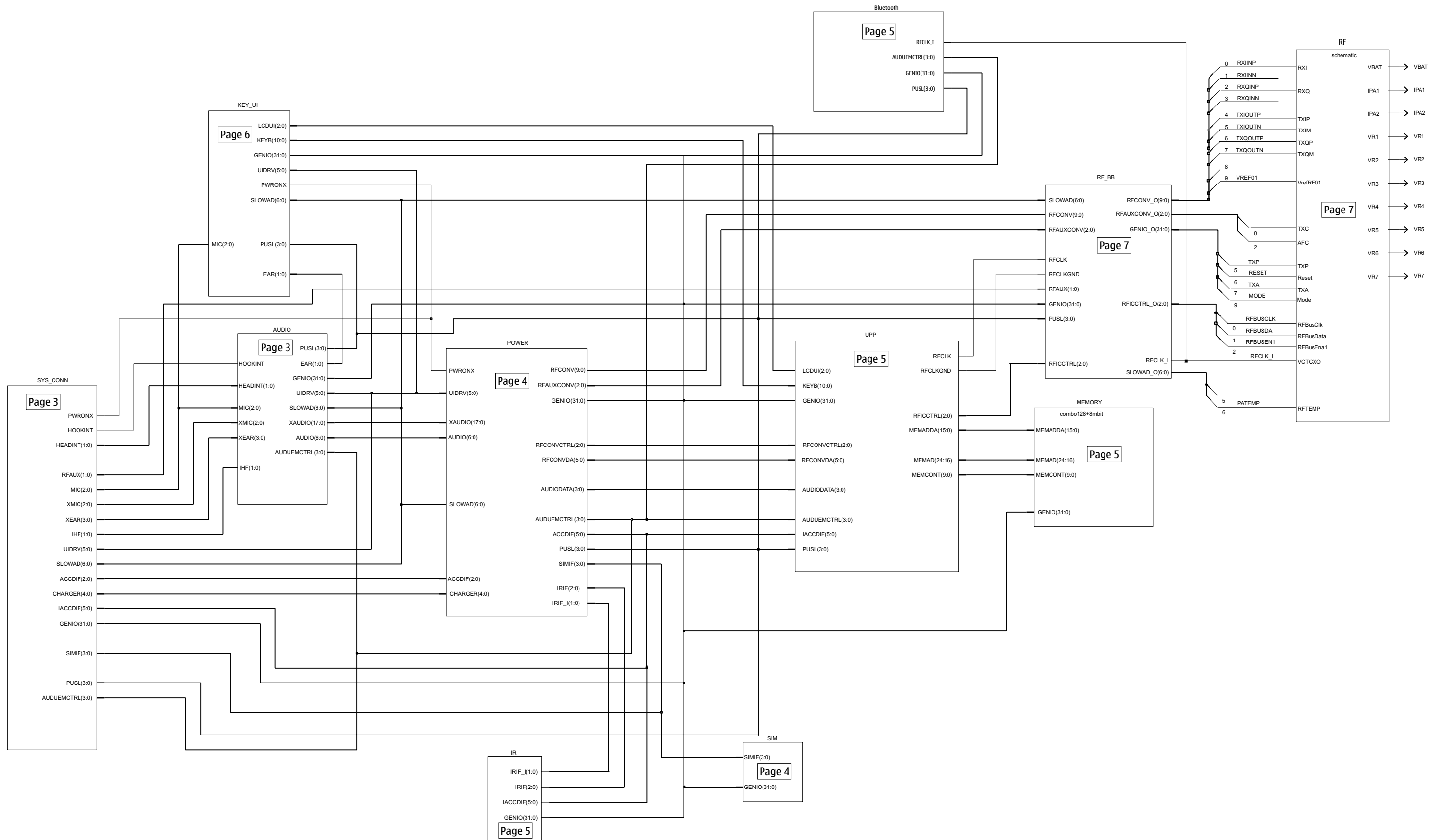


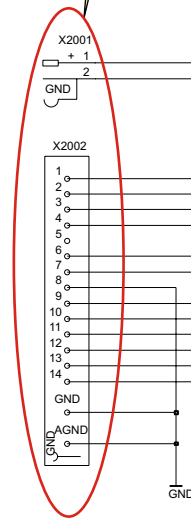
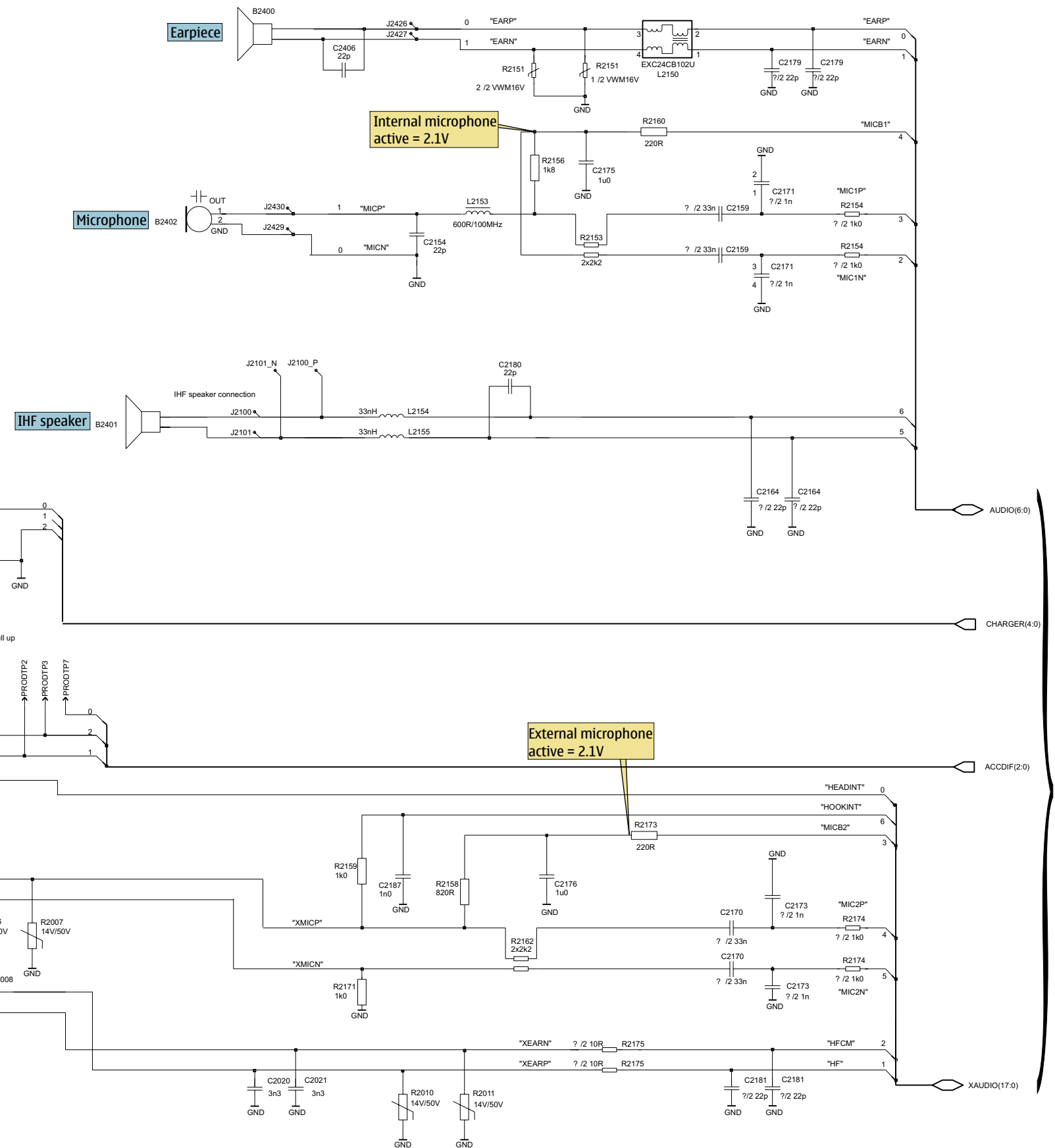
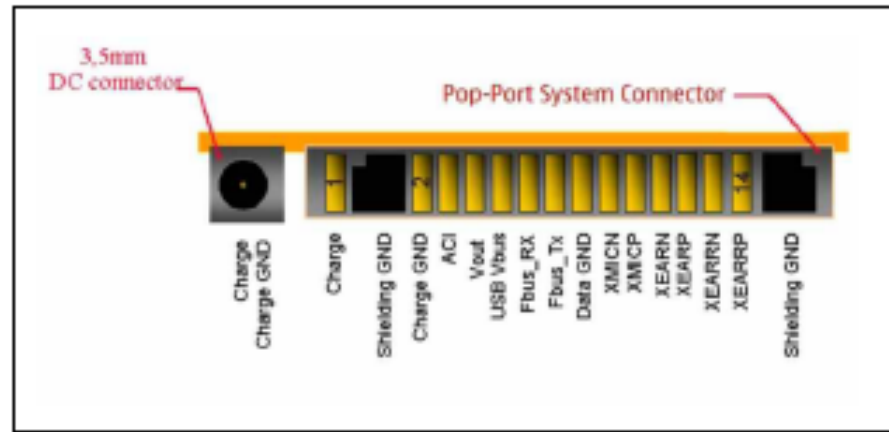
RM-94 Schematic Diagrams

| Table of Contents | Page No |
|------------------------------------|----------------|
| DCT-4 Common Baseband | 2 |
| System Connector, Audio | 3 |
| UEMEK, SIM | 4 |
| UPP, Combo Memory, IRDA, Bluetooth | 5 |
| UI, Vibra, Keyboard | 6 |
| RF Part | 7 |
| Signal Overview | 8 |
| Component Finder | 9 |

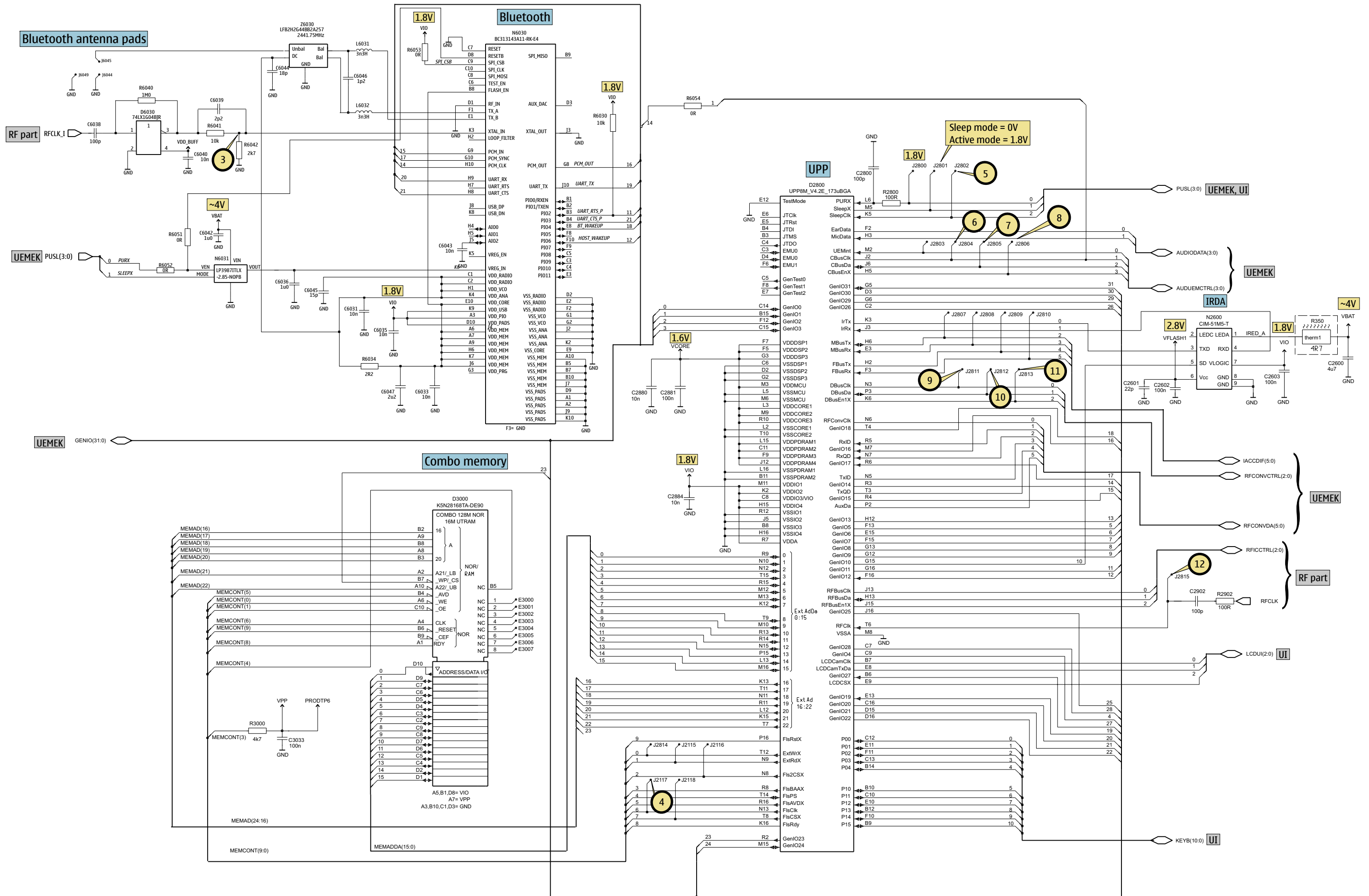
DCT-4 Common Baseband



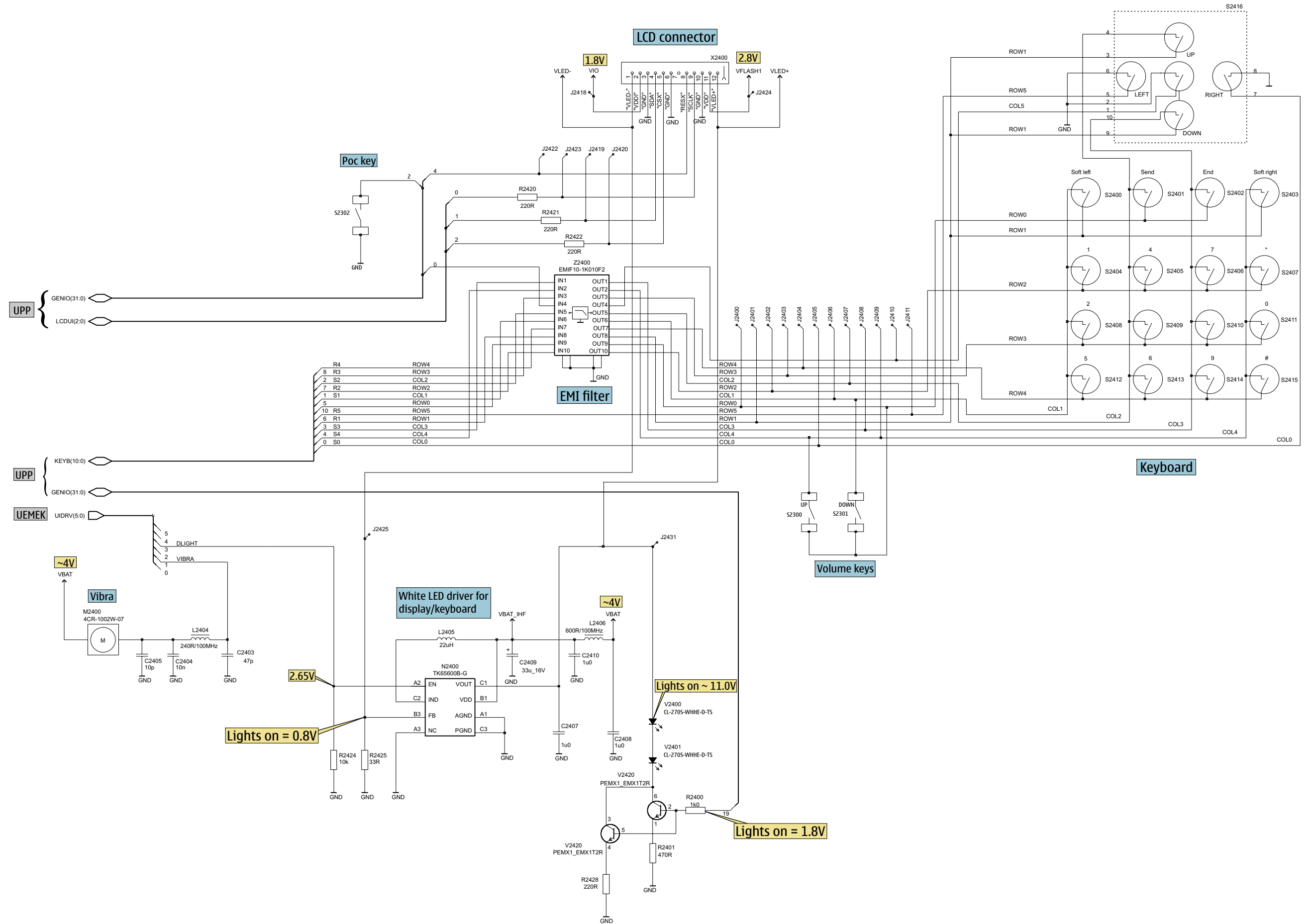
System Connector, Audio



UPP, Combo Memory, IRDA, Bluetooth



UI, Vibra, Keyboard

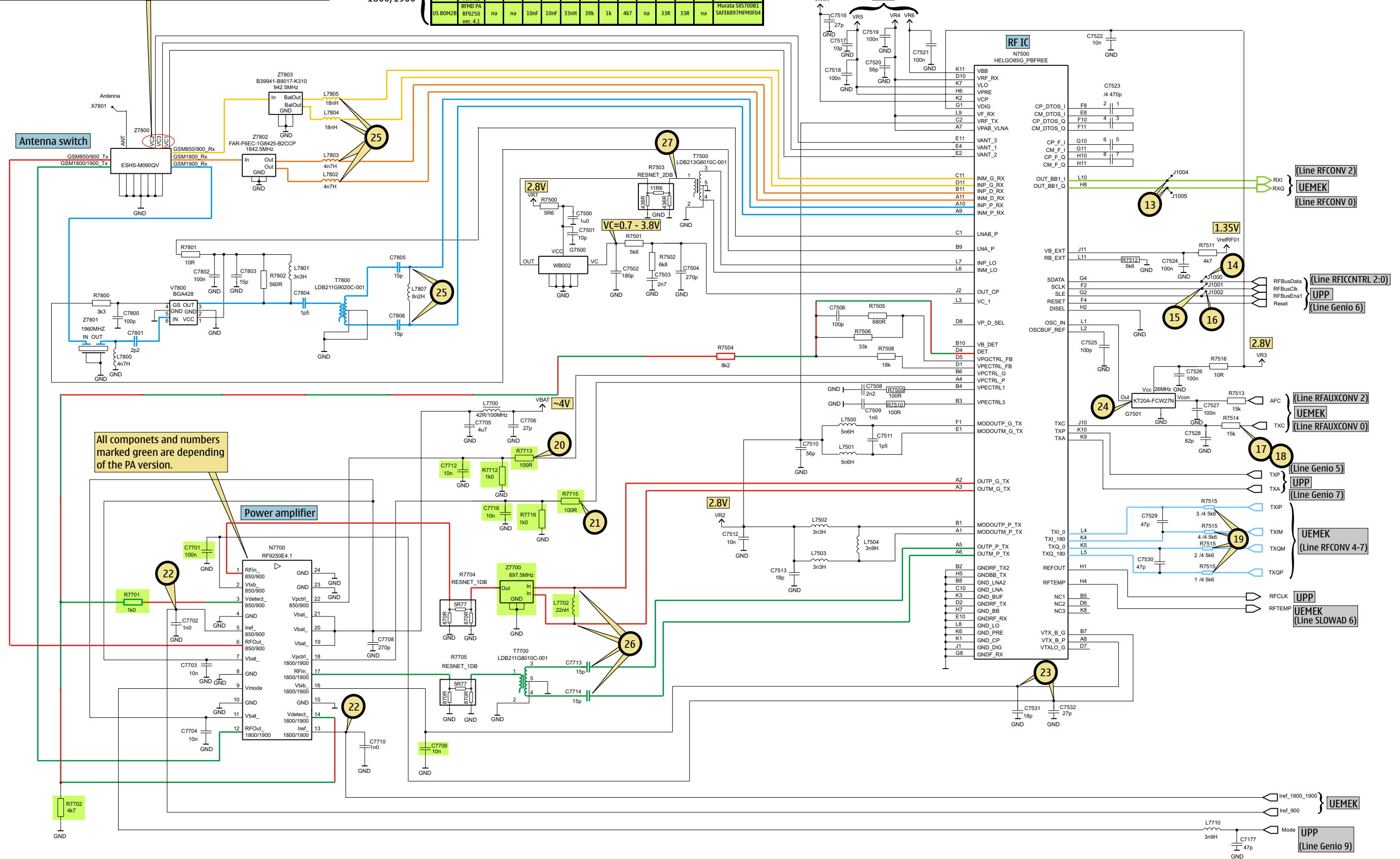


RF Part

| VANT_2 VC1 [Volt] | VANT_3 VC2 [Volt] | VANT_1 VC3 [Volt] | RX 1 GSM900 RX | RX 2 GSM1800 RX | RX 3 GSM1900 RX | TX 1 GSM900 TX | TX 2 GSM1800/1900 TX |
|-------------------------|-------------------------|-------------------------|----------------------|-----------------------|-----------------------|----------------------|----------------------------|
| 0 | 0 | 0 | X | | | | |
| 0 | 0 | 0 | | X | | | |
| 0 | 2.6 | 2.6 | | | | X | |
| 0 | 2.6 | 0 | | | X | | |
| 2.6 | 2.6 | 0 | | | | | X |

| | N7700 | C7701 | C7709 | C7712 | C7716 | L7702 | R7700 | R7701 | R7702 | R7712 | R7713 | R7715 | R7716 | Z7700 |
|----------------------|---|-------|-------|-------|-------|-------|-------|-------|-------|-------|-------|-------|-------|---------------|
| GSM 900 1800/1900 | EU BOM1 Renesas RF9250V3.1 L3, cut 4.2 | 100nF | 10nF | na | na | 22nH | 0R | 0R | na | 1k | 100R | 100R | 1k | FMD B29J V3.1 |
| | EU BOM2 Murata SXS700B1 SAFEK97MFM0F04 | na | na | 10nF | 10nF | 33nH | 39k | 1k | 4k7 | na | 33R | 33R | na | |
| | EU BOM2B Murata SXS700B1 SAFEK97MFM0F04 | na | na | 10nF | 10nF | 33nH | 39k | 1k | 4k7 | na | 33R | 33R | na | |
| GSM 850 1800/1900 | US BOM1 Renesas RF9250 L3, cut 4.2 | 100nF | 10nF | na | na | 18nH | 0R | 0R | na | 1k | 100R | 100R | 1k | FMD B29J V3.1 |
| | US BOM2 Murata SXS700B1 SAFEK97MFM0F04 | 1nF | 1nF | 10nF | 10nF | 33nH | 39k | 1k | 4k7 | na | 33R | 33R | na | |
| | US BOM2B Murata SXS700B1 SAFEK97MFM0F04 | na | na | 10nF | 10nF | 33nH | 39k | 1k | 4k7 | na | 33R | 33R | na | |

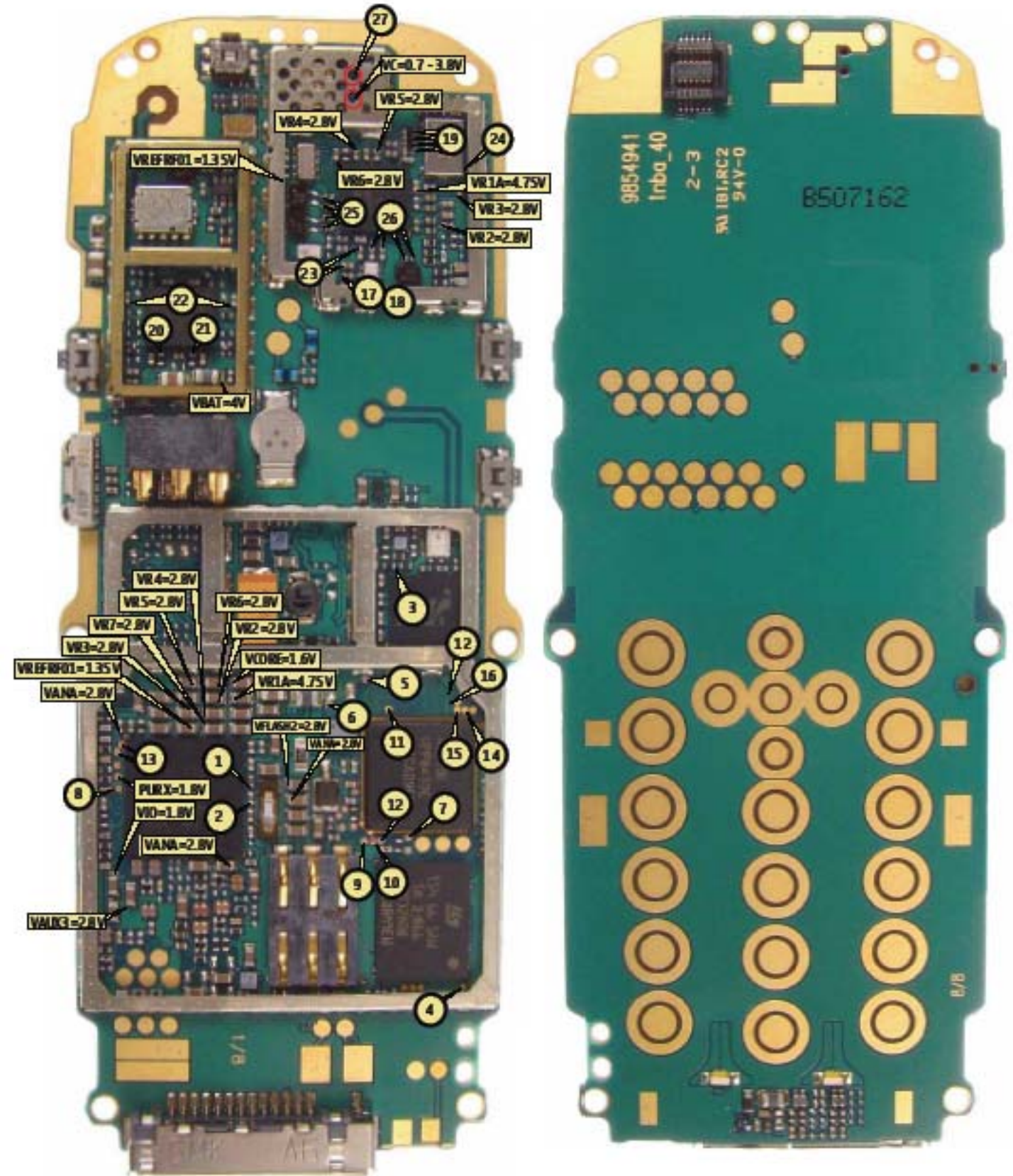
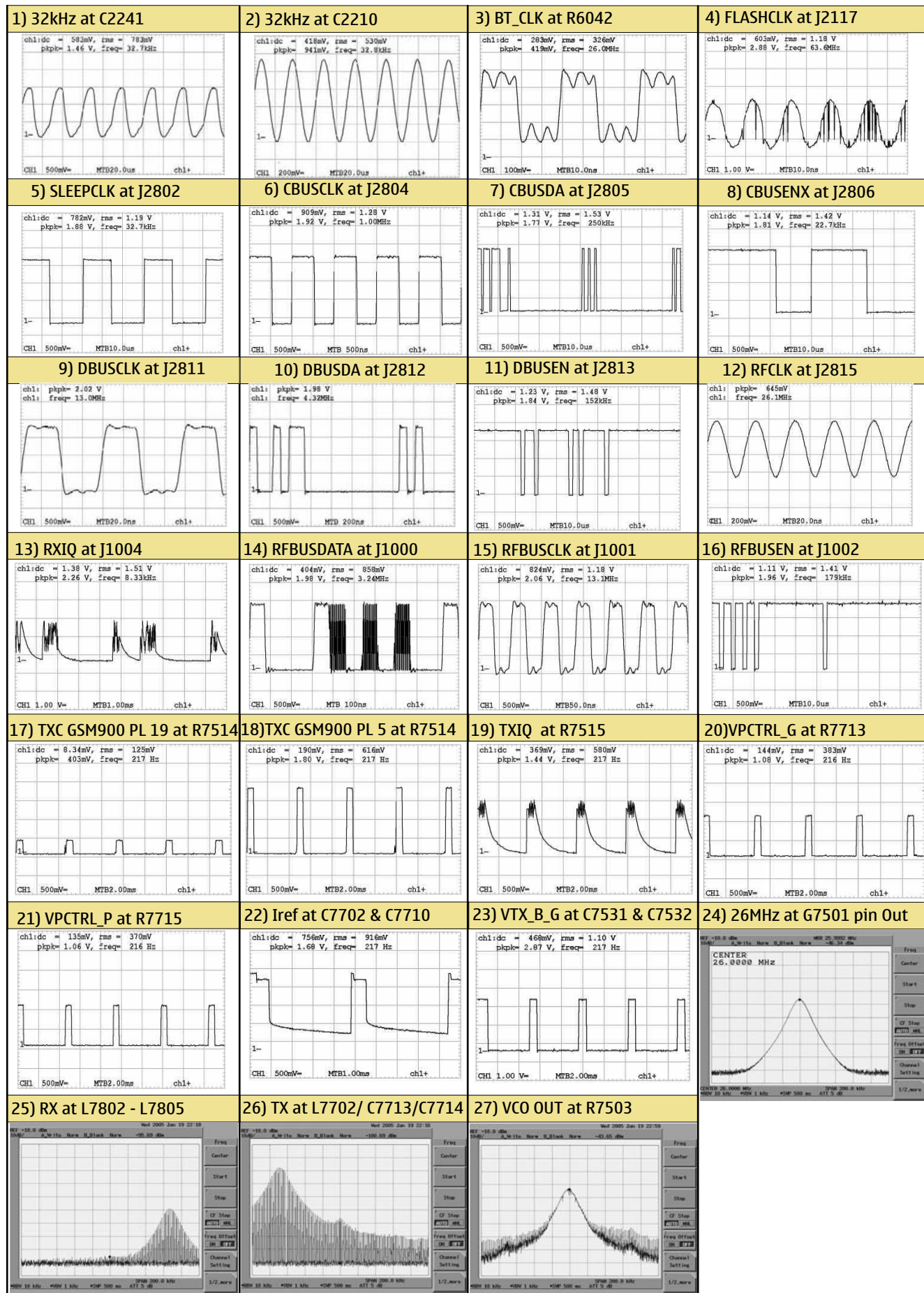
| Band | Channel | RX | VCO/RX | VC/RX | TX | VCO/TX | VC/TX |
|----------|---------|-----------|-----------|--------|-----------|-----------|--------|
| GSM 850 | 190 | 881.6MHz | 3526.4MHz | ~1.8V | 836.6MHz | 3346.4MHz | ~1.5V |
| EGSM 900 | 37 | 942.4MHz | 3769.6MHz | ~2.73V | 897.4MHz | 3589.6MHz | ~1.99V |
| GSM 1800 | 700 | 1842.8MHz | 3685.6MHz | ~2.39V | 1747.8MHz | 3495.6MHz | ~1.60V |
| GSM 1900 | 661 | 1960.0MHz | 3920.0MHz | ~3.31V | 1880.0MHz | 3760.0MHz | ~2.96V |



All components and numbers marked green are depending of the PA version.

Power amplifier

Signal Overview



Component Finder

| | | | | | | | | | |
|-------|-------|-------|-------|-------|-------|-------|-------|-------|----|
| B | C2241 | O4 | C7527 | C7 | N | R7503 | C6 | | |
| B2200 | 05 | C2270 | 02 | C7529 | D7 | N2400 | K5 | R7504 | E7 |
| C | C2271 | P2 | C7530 | D7 | N2600 | J1 | R7505 | F7 | |
| C2001 | M5 | C2272 | N2 | C7531 | F6 | N6030 | L7 | R7506 | F7 |
| C2005 | P6 | C2273 | P4 | C7532 | F6 | N6031 | J6 | R7508 | E8 |
| C2006 | U5 | C2400 | P4 | C7533 | F7 | N7500 | E6 | R7509 | F7 |
| C2007 | O4 | C2401 | P4 | C7702 | G2 | N7700 | G3 | R7510 | F7 |
| C2008 | U5 | C2403 | Q3 | C7703 | F3 | R | R7511 | D5 | |
| C2009 | Q2 | C2404 | R2 | C7704 | F3 | R2000 | U6 | R7512 | D6 |
| C2011 | R2 | C2405 | R2 | C7705 | H3 | R2001 | O6 | R7513 | C7 |
| C2012 | U5 | C2406 | C4 | C7706 | H4 | R2002 | R2 | R7514 | F6 |
| C2013 | U5 | C2407 | K5 | C7708 | H3 | R2003 | R2 | R7515 | D7 |
| C2020 | U4 | C2408 | J4 | C7709 | G4 | R2004 | R3 | R7516 | E8 |
| C2021 | U4 | C2409 | L4 | C7710 | G4 | R2005 | R2 | R7700 | N2 |
| C2154 | R3 | C2410 | K4 | C7712 | H3 | R2006 | U5 | R7701 | G2 |
| C2159 | Q3 | C2600 | F2 | C7713 | F6 | R2007 | U5 | R7702 | G4 |
| C2164 | P2 | C2601 | J2 | C7714 | F6 | R2010 | U4 | R7704 | G2 |
| C2170 | Q4 | C2602 | J2 | C7716 | H3 | R2011 | U4 | R7705 | G4 |
| C2171 | Q3 | C2603 | J2 | C7800 | D4 | R2151 | C4 | R7710 | H2 |
| C2173 | Q4 | C2702 | R6 | C7801 | D3 | R2153 | R3 | R7712 | H3 |
| C2175 | R3 | C2703 | R6 | C7802 | E3 | R2154 | Q3 | R7713 | H3 |
| C2176 | R4 | C2800 | O6 | C7803 | E4 | R2156 | R3 | R7715 | H3 |
| C2179 | Q3 | C2880 | O6 | C7804 | F4 | R2158 | R4 | R7716 | H3 |
| C2180 | H5 | C2881 | O6 | C7805 | F6 | R2159 | Q4 | R7800 | D4 |
| C2181 | P3 | C2884 | O6 | C7806 | F6 | R2160 | Q3 | R7801 | E4 |
| C2187 | Q4 | C2900 | N2 | D | R2162 | Q4 | R7802 | E4 | |
| C2200 | O5 | C2901 | N2 | D2200 | O3 | R2171 | R4 | S | |
| C2201 | N4 | C2902 | O8 | D2800 | O7 | R2173 | Q4 | S2300 | G8 |
| C2202 | Q3 | C3033 | P7 | D3000 | Q7 | R2174 | P4 | S2301 | J8 |
| C2203 | Q2 | C3180 | P8 | D6030 | K7 | R2175 | Q3 | S2302 | H1 |
| C2204 | O5 | C6031 | K8 | F | R2200 | N5 | S2419 | B4 | |
| C2205 | O5 | C6033 | K6 | F2000 | U5 | R2201 | P3 | T | |
| C2206 | N5 | C6035 | L6 | G | R2270 | O2 | T7500 | C6 | |
| C2207 | M4 | C6036 | J7 | G2400 | I5 | R2271 | O2 | T7700 | F6 |
| C2208 | Q2 | C6038 | K7 | G7500 | C5 | R2272 | O2 | T7800 | F5 |
| C2209 | Q3 | C6039 | K7 | G7501 | D8 | R2273 | P2 | V | |
| C2210 | Q4 | C6040 | J7 | L | R2274 | P2 | V2000 | O6 | |
| C2211 | P5 | C6042 | J6 | L2000 | T5 | R2400 | M6 | V2400 | T4 |
| C2212 | Q2 | C6043 | L6 | L2001 | T4 | R2401 | L5 | V2401 | T6 |
| C2213 | O5 | C6044 | K7 | L2003 | T5 | R2420 | L6 | V2420 | L5 |
| C2214 | P5 | C6045 | L6 | L2004 | U5 | R2421 | L6 | V7800 | E4 |
| C2215 | P4 | C6046 | K8 | L2005 | U5 | R2422 | L6 | X | |
| C2216 | P2 | C6047 | K6 | L2150 | C4 | R2423 | C4 | X2000 | I3 |
| C2217 | O2 | C7177 | H2 | L2153 | Q3 | R2424 | J5 | X2002 | U4 |
| C2218 | Q4 | C7500 | C5 | L2154 | H5 | R2425 | J5 | X2060 | C4 |
| C2219 | R4 | C7501 | B5 | L2155 | G5 | R2428 | L6 | X2400 | C6 |
| C2220 | N2 | C7502 | B6 | L2200 | M5 | R2600 | E2 | X2700 | Q5 |
| C2221 | N2 | C7503 | B6 | L2404 | R2 | R2700 | R4 | Z | |
| C2222 | M3 | C7504 | C6 | L2405 | L5 | R2701 | S4 | Z2400 | N6 |
| C2223 | N3 | C7506 | F8 | L2406 | K4 | R2800 | O6 | Z6030 | K7 |
| C2224 | N3 | C7508 | F8 | L6031 | K8 | R2900 | N2 | Z7700 | F7 |
| C2225 | M2 | C7509 | F8 | L6032 | K7 | R2901 | N2 | Z7800 | E3 |
| C2226 | N3 | C7510 | E8 | L7500 | E7 | R2902 | O8 | Z7801 | D3 |
| C2227 | N4 | C7511 | E7 | L7501 | E7 | R2903 | N2 | Z7802 | E5 |
| C2228 | N4 | C7512 | E8 | L7502 | E7 | R3000 | P7 | Z7803 | E5 |
| C2229 | N4 | C7513 | E8 | L7503 | E7 | R3180 | P8 | | |
| C2230 | N4 | C7516 | D7 | L7504 | E7 | R6030 | M8 | | |
| C2231 | M4 | C7517 | D6 | L7700 | H3 | R6034 | K7 | | |
| C2232 | M3 | C7518 | D6 | L7702 | F7 | R6040 | K7 | | |
| C2233 | N4 | C7519 | D6 | L7710 | H2 | R6041 | K7 | | |
| C2234 | N3 | C7520 | E6 | L7800 | D3 | R6042 | K7 | | |
| C2235 | M4 | C7521 | D6 | L7801 | E4 | R6052 | J7 | | |
| C2236 | N4 | C7522 | D7 | L7802 | E6 | R6053 | M7 | | |
| C2237 | M4 | C7523 | D5 | L7803 | E6 | R6054 | M6 | | |
| C2238 | M3 | C7524 | D5 | L7804 | E6 | R7500 | C5 | | |
| C2239 | N5 | C7525 | D7 | L7805 | E6 | R7501 | C6 | | |
| C2240 | P3 | C7526 | C8 | L7807 | E6 | R7502 | B6 | | |

