

# **Intel® Xeon® Processor E7 Family Uncore Performance Monitoring Programming Guide**

Reference Number: 325294-001

April 2011

INFORMATION IN THIS DOCUMENT IS PROVIDED IN CONNECTION WITH INTEL PRODUCTS. NO LICENSE, EXPRESS OR IMPLIED, BY ESTOPPEL OR OTHERWISE, TO ANY INTELLECTUAL PROPERTY RIGHTS IS GRANTED BY THIS DOCUMENT. EXCEPT AS PROVIDED IN INTEL'S TERMS AND CONDITIONS OF SALE FOR SUCH PRODUCTS, INTEL ASSUMES NO LIABILITY WHATSOEVER AND INTEL DISCLAIMS ANY EXPRESS OR IMPLIED WARRANTY, RELATING TO SALE AND/OR USE OF INTEL PRODUCTS INCLUDING LIABILITY OR WARRANTIES RELATING TO FITNESS FOR A PARTICULAR PURPOSE, MERCHANTABILITY, OR INFRINGEMENT OF ANY PATENT, COPYRIGHT OR OTHER INTELLECTUAL PROPERTY RIGHT.

UNLESS OTHERWISE AGREED IN WRITING BY INTEL, THE INTEL PRODUCTS ARE NOT DESIGNED NOR INTENDED FOR ANY APPLICATION IN WHICH THE FAILURE OF THE INTEL PRODUCT COULD CREATE A SITUATION WHERE PERSONAL INJURY OR DEATH MAY OCCUR.

Intel may make changes to specifications and product descriptions at any time, without notice. Designers must not rely on the absence or characteristics of any features or instructions marked "reserved" or "undefined." Intel reserves these for future definition and shall have no responsibility whatsoever for conflicts or incompatibilities arising from future changes to them. The information here is subject to change without notice. Do not finalize a design with this information.

The Intel® 64 architecture processors described in this document may contain design defects or errors known as errata which may cause the product to deviate from published specifications. Current characterized errata are available on request. Contact your local Intel sales office or your distributor to obtain the latest specifications and before placing your product order.

Requires a system with a 64-bit enabled processor, chipset, BIOS and software. Performance will vary depending on the specific hardware and software you use. Consult your PC manufacturer for more information. For more information, visit <http://www.intel.com/info/em64t>

Intel and Intel Xeon are trademarks or registered trademarks of Intel Corporation or its subsidiaries in the United States and other countries.

\*Other names and brands may be claimed as the property of others.

Contact your local Intel sales office or your distributor to obtain the latest specifications and before placing your product order.

Copies of documents which have an order number and are referenced in this document, or other Intel literature, may be obtained by calling 1-800-548-4725, or go to: <http://www.intel.com/design/literature.htm>

Copyright © 2011 Intel Corporation

## CONTENTS

### CHAPTER 1 INTRODUCTION

1.1	INTRODUCTION	1-1
1.2	UNCORE PMU OVERVIEW	1-1
1.3	UNCORE PMU SUMMARY TABLES	1-2
1.4	REFERENCES	1-3

### CHAPTER 2 UNCORE PERFORMANCE MONITORING

2.1	GLOBAL PERFORMANCE MONITORING CONTROL COUNTER OVERFLOW	2-1
2.1.1	Freezing on Counter Overflow	2-1
2.1.2	PMI on Counter Overflow	2-1
2.1.3	Setting up a Monitoring Session	2-1
2.1.4	Reading the Sample Interval	2-2
2.1.5	Enabling a New Sample Interval from Frozen Counters	2-2
2.1.6	Global Performance Monitors	2-3
2.1.6.1	Global PMON Global Control/Status Registers	2-3
2.2	U-BOX PERFORMANCE MONITORING	2-5
2.2.1	U-Box PMON Summary	2-5
2.2.1.1	U-Box Box Level PMON State	2-5
2.2.1.2	U-Box PMON state - Counter/Control Pairs	2-5
2.2.2	U-Box Performance Monitoring Events	2-6
2.2.3	U-Box Events Ordered By Code	2-7
2.2.4	U-Box Performance Monitor Event List	2-7
2.3	C-BOX PERFORMANCE MONITORING	2-9
2.3.1	Overview of the C-Box	2-9
2.3.2	C-Box Performance Monitoring Overview	2-10
2.3.2.1	C-Box PMU - Overflow, Freeze and Unfreeze	2-10
2.3.3	C-BOX Performance Monitors	2-11
2.3.3.1	C-Box Box Level PMON state	2-15
2.3.3.2	C-Box PMON state - Counter/Control Pairs	2-15
2.3.4	C-BOX Performance Monitoring Events	2-17
2.3.4.1	An Overview	2-17
2.3.4.2	Acronyms frequently used in C-Box Events	2-17
2.3.4.3	The Queues	2-18
2.3.4.4	Detecting Performance Problems in the C-Box Pipeline	2-18
2.3.5	C-Box Events Ordered By Code	2-19
2.3.6	C-Box Performance Monitor Event List	2-20
2.4	B-BOX PERFORMANCE MONITORING	2-33
2.4.1	Overview of the B-Box	2-33
2.4.2	B-Box Performance Monitoring Overview	2-33
2.4.2.1	B-Box PMU - On Overflow and the Consequences (PMI/Freeze)	2-34
2.4.3	B-BOX Performance Monitors	2-34
2.4.3.1	B-Box Box Level PMON state	2-35
2.4.3.2	B-Box PMON state - Counter/Control Pairs + Filters	2-36
2.4.4	B-Box Performance Monitoring Events	2-37
2.4.4.1	On the ARBQ	2-38
2.4.4.2	On the Major B-Box Structures	2-38
2.4.4.3	On InvToE Transactions	2-38
2.4.5	B-Box Events Ordered By Code	2-39
2.4.6	B-Box Performance Monitor Event List	2-40
2.5	S-BOX PERFORMANCE MONITORING	2-48
2.5.1	Overview of the S-Box	2-48
2.5.2	S-Box Performance Monitoring Overview	2-48
2.5.2.1	S-Box PMU - Overflow, Freeze and Unfreeze	2-48
2.5.3	S-BOX Performance Monitors	2-49
2.5.3.1	S-Box PMON for Global State	2-50
2.5.3.2	S-Box Box Level PMON state	2-50
2.5.3.3	S-Box PMON state - Counter/Control Pairs + Filters	2-51
2.5.3.4	S-Box Registers for Mask/Match Facility	2-52
2.5.4	S-BOX Performance Monitoring Events	2-54
2.5.4.1	An Overview	2-54
2.5.4.2	On Queue Occupancy Usage	2-54

2.5.4.3 On Packet Transmission Events .....2-55

2.5.5 S-Box Events Ordered By Code .....2-56

2.5.6 S-Box Performance Monitor Event List.....2-58

2.6 R-BOX PERFORMANCE MONITORING ..... 2-78

2.6.1 Overview of the R-Box.....2-78

2.6.1.1 R-Box Input Port.....2-78

2.6.1.2 R-Box Arbitration Control .....2-79

2.6.1.3 R-Box Output Port.....2-79

2.6.1.4 R-Box Link Layer Resources.....2-79

2.6.2 R-Box Performance Monitoring Overview .....2-79

2.6.2.1 Choosing An Event To Monitor - Example.....2-80

2.6.2.2 R-Box PMU - Overflow, Freeze and Unfreeze.....2-80

2.6.3 R-BOX Performance Monitors .....2-80

2.6.3.1 R-Box Performance Monitors To Port Mapping .....2-84

2.6.3.2 R-Box Box Level PMON state.....2-84

2.6.3.3 R-Box PMON state - Counter/Control Pairs + Filters.....2-85

2.6.3.4 R-Box IPERF Performance Monitoring Control Registers .....2-88

2.6.3.5 R-Box QLX Performance Monitoring Control Registers .....2-89

2.6.3.6 R-Box Registers for Mask/Match Facility .....2-90

2.6.4 R-BOX Performance Monitoring Events .....2-94

2.6.4.1 An Overview.....2-94

2.6.5 R-Box Events Ordered By Code .....2-94

2.6.6 R-Box Performance Monitor Event List.....2-95

2.7 M-BOX PERFORMANCE MONITORING ..... 2-102

2.7.1 Overview of the M-Box .....2-102

2.7.2 Functional Overview .....2-102

2.7.2.1 Intel® Xeon® Processor E7 Family Scalable Memory Buffer.....2-103

2.7.3 M-Box Performance Monitoring Overview .....2-104

2.7.3.1 Choosing An Event To Monitor - Example using subcontrol registers.....2-104

2.7.3.2 M-Box PMU - Overflow, Freeze and Unfreeze .....2-105

2.7.4 M-BOX Performance Monitors .....2-106

2.7.4.1 M-Box Box Level PMON state .....2-107

2.7.4.2 M-Box PMON state - Counter/Control Pairs.....2-108

2.7.4.3 M-Box PMU Filter Registers .....2-110

2.7.4.4 M-Box PMU Subcontrol Registers - Subunit descriptions .....2-110

2.7.5 M-Box Performance Monitoring Events .....2-118

2.7.5.1 An Overview.....2-118

2.7.6 M-Box Events Ordered By Code.....2-119

2.7.7 M-Box Performance Monitor Event List .....2-120

2.8 W-BOX PERFORMANCE MONITORING ..... 2-134

2.8.1 Overview of the W-Box .....2-134

2.8.2 W-Box Performance Monitoring Overview.....2-134

2.8.2.1 W-Box PMU - Overflow, Freeze and Unfreeze .....2-134

2.8.3 W-BOX Performance Monitors .....2-135

2.8.3.1 W-Box Box Level PMON state .....2-135

2.8.3.2 W-Box PMON state - Counter/Control Pairs.....2-136

2.8.4 W-BOX Performance Monitoring Events.....2-138

2.8.4.1 An Overview.....2-138

2.8.5 W-Box Events Ordered By Code .....2-138

2.8.6 W-Box Performance Monitor Event List .....2-139

2.9 PACKET MATCHING REFERENCE ..... 2-140

**FIGURES**

Figure 1-1.	Intel® Xeon® Processor E7 Family Block Diagram.....	1-1
Figure 2-1.	R-Box Block Diagram.....	2-78
Figure 2-2.	Memory Controller Block Diagram.....	2-103

This page intentionally left blank

## TABLES

Table 1-1.	Per-Box Performance Monitoring Capabilities	1-2
Table 1-2.	Uncore Performance Monitoring MSRs	1-2
Table 2-1.	Global Performance Monitoring Control MSRs	2-3
Table 2-2.	U_MSR_PMON_GLOBAL_CTL Register – Field Definitions	2-4
Table 2-3.	U_MSR_PMON_GLOBAL_STATUS Register – Field Definitions	2-4
Table 2-4.	U_MSR_PMON_GLOBAL_OVF_CTL Register – Field Definitions	2-5
Table 2-5.	U-Box Performance Monitoring MSRs	2-5
Table 2-6.	U_MSR_PMON_EVT_SEL Register – Field Definitions	2-6
Table 2-7.	U_MSR_PMON_CTR Register – Field Definitions	2-6
Table 2-8.	Performance Monitor Events for U-Box Events	2-7
Table 2-9.	C-Box Performance Monitoring MSRs	2-11
Table 2-10.	C_MSR_PMON_GLOBAL_CTL Register – Field Definitions	2-15
Table 2-11.	C_MSR_PMON_GLOBAL_STATUS Register – Field Definitions	2-15
Table 2-12.	C_MSR_PMON_GLOBAL_OVF_CTL Register – Field Definitions	2-15
Table 2-13.	C_MSR_PMON_EVT_SEL{5-0} Register – Field Definitions	2-16
Table 2-14.	C_MSR_PMON_CTR{5-0} Register – Field Definitions	2-17
Table 2-15.	Performance Monitor Events for C-Box Events	2-19
Table 2-16.	B-Box Performance Monitoring MSRs	2-34
Table 2-17.	B_MSR_PMON_GLOBAL_CTL Register – Field Definitions	2-35
Table 2-18.	B_MSR_PMON_GLOBAL_STATUS Register – Field Definitions	2-35
Table 2-19.	B_MSR_PMON_GLOBAL_OVF_CTL Register – Field Definitions	2-35
Table 2-20.	B_MSR_PMON_EVT_SEL{3-0} Register – Field Definitions	2-36
Table 2-21.	B_MSR_PMON_CNT{3-0} Register – Field Definitions	2-36
Table 2-22.	B_MSR_MATCH_REG Register – Field Definitions	2-37
Table 2-23.	B_MSR_MASK_REG Register – Field Definitions	2-37
Table 2-24.	Performance Monitor Events for B-Box Events	2-39
Table 2-25.	S-Box Performance Monitoring MSRs	2-49
Table 2-26.	S_MSR_PMON_SUMMARY Register Fields	2-50
Table 2-27.	S_MSR_PMON_GLOBAL_CTL Register Fields	2-51
Table 2-28.	S_MSR_PMON_GLOBAL_STATUS Register Fields	2-51
Table 2-29.	S_MSR_PMON_OVF_CTRL Register Fields	2-51
Table 2-30.	S_CSR_PMON_CTL{3-0} Register – Field Definitions	2-52
Table 2-31.	S_CSR_PMON_CTR{3-0} Register – Field Definitions	2-52
Table 2-32.	S_MSR_MM_CFG Register – Field Definitions	2-53
Table 2-33.	S_MSR_MATCH Register – Field Definitions	2-53
Table 2-34.	S_MSR_MATCH.opc - Opcode Match by Message Class	2-54
Table 2-35.	S_MSR_MASK Register – Field Definitions	2-54
Table 2-36.	S-Box Data Structure Occupancy Events	2-55
Table 2-37.	Performance Monitor Events for S-Box Events	2-56
Table 2-38.	Input Buffering Per Port	2-79
Table 2-39.	R-Box Performance Monitoring MSRs	2-80
Table 2-40.	R-Box Port Map	2-84
Table 2-41.	R_MSR_PMON_GLOBAL_CTL_{15_8, 7_0} Register Fields	2-84
Table 2-42.	R_MSR_PMON_GLOBAL_STATUS_{15_8, 7_0} Register Fields	2-84
Table 2-43.	R_MSR_PMON_OVF_CTL_{15_8, 7_0} Register Fields	2-85
Table 2-44.	R_MSR_PMON_CTL{15-0} Register – Field Definitions	2-85
Table 2-45.	R_MSR_PMON_CTL{15-8} Event Select	2-86
Table 2-46.	R_MSR_PMON_CTL{7-0} Event Select	2-87
Table 2-47.	R_MSR_PMON_CTR{15-0} Register – Field Definitions	2-88
Table 2-48.	R_MSR_PORT{7-0}_IPERF_CFG{1-0} Registers	2-88
Table 2-49.	R_MSR_PORT{7-0}_QLX_CFG Register Fields	2-89
Table 2-50.	R_MSR_PORT{7-0}_XBR_SET{2-1}_MM_CFG Registers	2-91
Table 2-51.	R_MSR_PORT{7-0}_XBR_SET{2-1}_MATCH Registers	2-92
Table 2-52.	R_MSR_PORT{7-0}_XBR_SET{2-1}_MASK Registers	2-93
Table 2-53.	Message Events Derived from the Match/Mask filters	2-93
Table 2-54.	Performance Monitor Events for R-Box Events	2-94
Table 2-55.	Unit Masks for ALLOC_TO_ARB	2-95
Table 2-56.	Unit Masks for EOT_DEPTH_ACC	2-96
Table 2-57.	Unit Masks for EOT_ROLL_DEPTH_ACC	2-96
Table 2-58.	Unit Masks for GLOBAL_ARB_BID_FAIL	2-98
Table 2-59.	Unit Masks for NEW_PACKETS_RECV	2-99
Table 2-60.	Unit Masks for QUE_ARB_BID	2-100

Table 2-61.	Unit Masks for QUE_ARB_BID_FAIL .....	2-101
Table 2-62.	Unit Masks for TARGET_AVAILABLE .....	2-102
Table 2-63.	M-Box Performance Monitoring MSRs .....	2-106
Table 2-64.	M_MSR_PERF_GLOBAL_CTL Register Fields .....	2-108
Table 2-65.	M_MSR_PERF_GLOBAL_STATUS Register Fields .....	2-108
Table 2-66.	M_MSR_PERF_GLOBAL_OVF_CTL Register Fields .....	2-108
Table 2-67.	M_MSR_PMU_CNT_CTL{5-0} Register – Field Definitions .....	2-109
Table 2-68.	M_MSR_PMU_CNT_{5-0} Register – Field Definitions .....	2-109
Table 2-69.	M_MSR_PMU_TIMESTAMP_UNIT Register – Field Definitions .....	2-110
Table 2-70.	M_MSR_PMU_MM_CFG Register – Field Definitions .....	2-110
Table 2-71.	M_MSR_PMU_ADDR_MATCH Register – Field Definitions .....	2-110
Table 2-72.	M_MSR_PMU_ADDR_MASK Register – Field Definitions .....	2-110
Table 2-73.	M_MSR_PMU_DSP Register – Field Definitions .....	2-112
Table 2-74.	M_CSR_ISS_PMU Register – Field Definitions .....	2-112
Table 2-75.	M_MSR_PMU_MAP Register – Field Definitions .....	2-113
Table 2-76.	M_CSR_PMU_MA_MSC_THR Register – Field Definitions .....	2-113
Table 2-77.	TRP_PT_{DN,UP}_CND Encodings .....	2-114
Table 2-78.	M_MSR_PMU_PGT Register – Field Definitions .....	2-114
Table 2-79.	M_MSR_PMU_PLD Register – Field Definitions .....	2-115
Table 2-80.	M_MSR_PMU_ZDP_CTL_FVC Register – Field Definitions .....	2-116
Table 2-81.	M_MSR_PMU_ZDP_CTL_FVC.evnt{4-1} Encodings .....	2-117
Table 2-82.	M_MSR_PMU_ZDP_CTL_FVC.RESP Encodings .....	2-117
Table 2-83.	M_MSR_PMU_ZDP_CTL_FVC.BCMD Encodings .....	2-118
Table 2-84.	Performance Monitor Events for M-Box Events .....	2-119
Table 2-85.	Unit Masks for BCMD_SCHEDQ_OCCUPANCY .....	2-120
Table 2-86.	Unit Masks for CYCLES_DSP_FILL .....	2-121
Table 2-87.	Unit Masks for CYCLES_PGT_STATE .....	2-121
Table 2-88.	Unit Masks for CYCLES_SCHED_MODE .....	2-122
Table 2-89.	Unit Masks for FVC_EVO .....	2-126
Table 2-90.	Unit Masks for FVC_EV1 .....	2-127
Table 2-91.	Unit Masks for FVC_EV2 .....	2-128
Table 2-92.	Unit Masks for FVC_EV3 .....	2-129
Table 2-93.	W-Box Performance Monitoring MSRs .....	2-135
Table 2-94.	W_MSR_PMON_GLOBAL_CTL Register Fields .....	2-135
Table 2-95.	W_MSR_PMON_GLOBAL_STATUS Register Fields .....	2-136
Table 2-96.	W_MSR_PMON_GLOBAL_OVF_CTRL Register Fields .....	2-136
Table 2-97.	W_MSR_PMON_EVT_SEL_{3-0} Register – Field Definitions .....	2-137
Table 2-98.	W_MSR_PMON_FIXED_CTR_CTL Register – Field Definitions .....	2-137
Table 2-99.	W_MSR_PMON_CTR_{3-0} Register – Field Definitions .....	2-138
Table 2-100.	W_MSR_PMON_FIXED_CTR Register – Field Definitions .....	2-138
Table 2-101.	Performance Monitor Events for W-Box Events .....	2-138
Table 2-102.	Intel® QuickPath Interconnect Packet Message Classes .....	2-140
Table 2-103.	Opcode Match by Message Class .....	2-141
Table 2-104.	Opcodes (Alphabetical Listing) .....	2-142



# CHAPTER 1 INTRODUCTION

## 1.1 INTRODUCTION

Figure 1-1 provides an Intel® Xeon® Processor E7 Family block diagram.

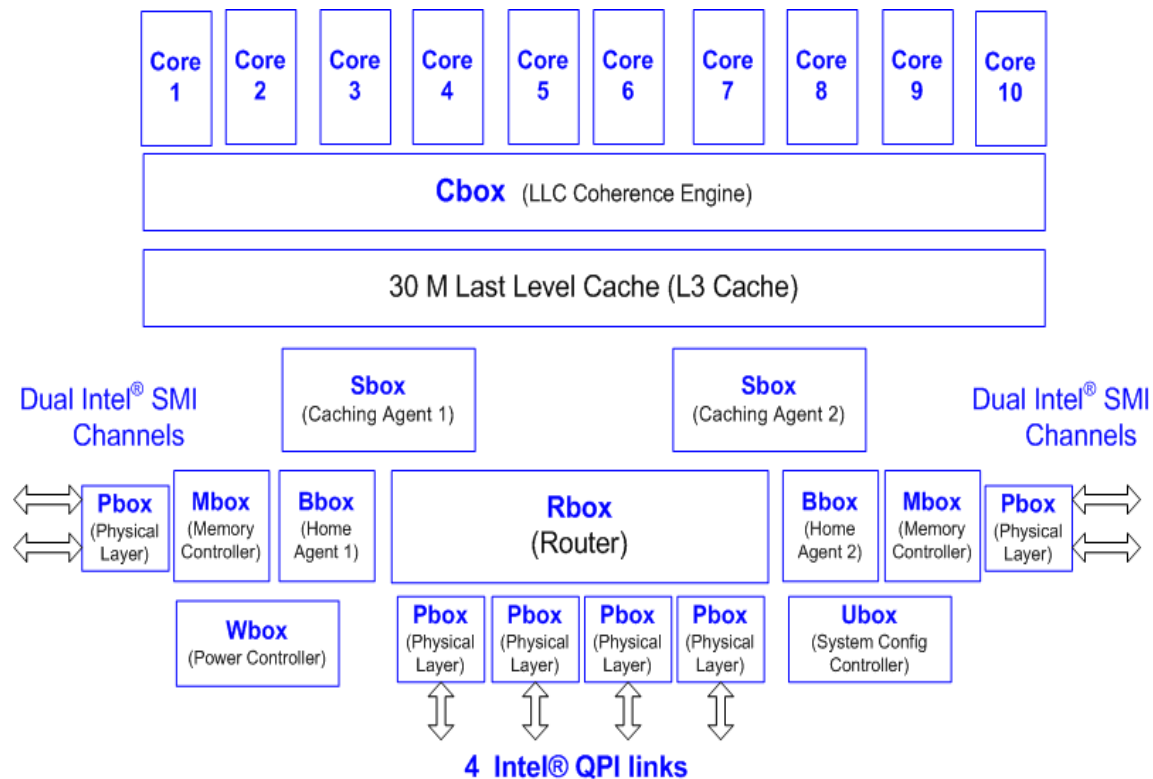


Figure 1-1. Intel® Xeon® Processor E7 Family Block Diagram

## 1.2 Uncore PMU Overview

The processor uncore performance monitoring is supported by PMUs local to each of the C, S, B, M, R, U, and W-Boxes. Each of these boxes communicates with the U-Box which contains registers to control all uncore PMU activity (as outlined in [Section 2.1, "Global Performance Monitoring Control Counter Overflow"](#)).

All processor uncore performance monitoring features can be accessed through RDMSR/WRMSR instructions executed at ring 0.

Since the uncore performance monitors represent socket-wide resources that are not context switched by the OS, it is highly recommended that only one piece of software (per-socket) attempt to program and extract information from the monitors. To keep things simple, it is also recommended that the monitoring software communicate with the OS such that it can be executed on coreId = 0, threadId = 0. Although recommended, this step is not necessary. Software may be notified of an overflowing uncore counter on any core.

The general performance monitoring capabilities in each box are outlined in the following table.

**Table 1-1. Per-Box Performance Monitoring Capabilities**

Box	# Boxes	# Counters/ Box	Generic Counters?	Packet Match/ Mask Filters?	Bit Width
C-Box	10	6	Y	N	48
S-Box	2	6	Y	Y	48
B-Box	2	4	N	Y	48
M-Box	2	6	N	N	48
R-Box	1 (L/R sides)	16 (2 per port, 8 per side)	N	Y	48
U-Box	1	1	Y	N	48
W-Box	1	4	Y	N	48

### 1.3 Uncore PMU Summary Tables

**Table 1-2. Uncore Performance Monitoring MSRs**

Box	MSR Addresses	Description
<b>R-Box Counters</b>		
R-Box R	0xE3F-0xE30	Counter/Config Registers(15-8)
	0xE2F-0xE2C	QLX SubConfig Registers for Ports 7-4
	0xE2B-0xE24	IPERF 1 SubConfig Registers
	0xE22-0xE20	Global (Control/Status/Ovf Control)
R-Box L	0xE1F-0xE10	Counter/Config Registers(7-0)
	0xE0F-0xE0C	QLX SubConfig Registers for Ports 3-0
	0xE0B-0xE04	IPERF 0 SubConfig Registers
	0xE02-0xE00	Global (Control/Status/Ovf Control)
<b>C-Box Counters</b>		
C-Box 9	0xFDB-0xFD0	Counter/Config Registers
	0xFC2-0xFC0	Global (Control/Status/Ovf Control)
C-Box 8	0xF5B-0xF50	Counter/Config Registers
	0xF42-0xF40	Global (Control/Status/Ovf Control)
C-Box 7	0xDFB-0xDF0	Counter/Config Registers
	0xDE2-0xDE0	Global (Control/Status/Ovf Control)
C-Box 3	0xDDB-0xDD0	Counter/Config Registers
	0xDC2-0xDC0	Global (Control/Status/Ovf Control)
C-Box 5	0xDBB-0xDB0	Counter/Config Registers
	0xDA2-0xDA0	Global (Control/Status/Ovf Control)
C-Box 1	0xD9B-0xD90	Counter/Config Registers
	0xD82-0xDE0	Global (Control/Status/Ovf Control)
C-Box 6	0xD7B-0xD70	Counter/Config Registers
	0xD62-0xD60	Global (Control/Status/Ovf Control)
C-Box 2	0xD5B-0xD50	Counter/Config Registers

**Table 1-2. Uncore Performance Monitoring MSRs**

Box	MSR Addresses	Description
	0xD42-0xD40	Global (Control/Status/Ovf Control)
C-Box 4	0xD3B-0xD30	Counter/Config Registers
	0xD22-0xD20	Global (Control/Status/Ovf Control)
C-Box 0	0xD1B-0xD10	Counter/Config Registers
	0xD02-0xD00	Global (Control/Status/Ovf Control)
<b>M-Box Counters</b>		
M-Box 1	0xE5E-0xE5C	Match/Mask Registers
	0xCFB-0xCF0	Counter/Config Registers
	0xCEB-0xCE4	Subconfig Registers (FVC,PLD,PGT,THR,MAP,ISS,DSP) + Timestamp Register
	0xCE2-0xCE0	Global (Control/Status/Ovf Control)
M-Box 0	0xE56-0xE54	Match/Mask Registers
	0xCBB-0xCB0	Counter/Config Registers
	0xCAB-0xCA4	Subconfig Registers (FVC,PLD,PGT,THR,MAP,ISS,DSP) + Timestamp Register
	0xCA2-0xCA0	Global (Control/Status/Ovf Control)
<b>S-Box Counters</b>		
S-Box 1	0xE5A-0xE58	Match/Mask Registers
	0xCD7-0xCD0	Counter/Config Registers
	0xCC3-0xCC0	Global (Control/Status/Ovf Control)
S-Box 0	0xE4A-0xE48	Match/Mask Registers
	0xC57-0xC50	Counter/Config Registers
	0xC43-0xC40	Global (Control/Status/Ovf Control)
<b>B-Box Counters</b>		
B-Box 1	0xE4E-0xE4D	Match/Mask Registers
	0xC77-0xC70	Counter/Config Registers
	0xC62-0xC60	Global (Control/Status/Ovf Control)
B-Box 0	0xE46-0xE45	Match/Mask Registers
	0xC37-0xC30	Counter/Config Registers
	0xC22-0xC20	Global (Control/Status/Ovf Control)
<b>U-Box Counters</b>		
U-Box	0xC11-0xC10	Counter/Config Registers
	0xC02-0xC00	Global (Control/Status/Ovf Control)
<b>W-Box Counters</b>		
W-Box	0x395-0x394	Fixed Counter/Config Registers
	0xC97-0xC90	Counter/Config Registers
	0xC82-0xC80	Global (Control/Status/Ovf Control)

## 1.4 References

The following sections provide a breakdown of the performance monitoring capabilities of each box.

- Section 2.1, "Global Performance Monitoring Control Counter Overflow"
- Section 2.2, "U-Box Performance Monitoring"
- Section 2.3, "C-Box Performance Monitoring"
- Section 2.4, "B-Box Performance Monitoring"
- Section 2.5, "S-Box Performance Monitoring"
- Section 2.6, "R-Box Performance Monitoring"
- Section 2.7, "M-Box Performance Monitoring"
- Section 2.8, "W-Box Performance Monitoring"
- Section 2.9, "Packet Matching Reference"

## CHAPTER 2

# UNCORE PERFORMANCE MONITORING

---

## 2.1 Global Performance Monitoring Control Counter Overflow

If a counter overflows, it will send the overflow signal towards the U-Box. This signal will be accumulated along the way in summary registers contained in each S-Box and a final summary register in the U-Box.

The Intel® Xeon® Processor E7 Family uncore performance monitors may be configured to respond to this overflow with two basic actions:

### 2.1.1 Freezing on Counter Overflow

Each uncore performance counter may be configured to, upon detection of overflow, disable (or 'freeze') all other counters in the uncore. To do so, the `.pmi_en` in the individual counter's control register must be set to 1. If the `U_MSR_PMON_GLOBAL_CTL.frz_all` is also set to 1, once the U-Box receives the PMI from the uncore box, it will set `U_MSR_PMON_GLOBAL_CTL.en_all` to 0 which will disable all counting.

### 2.1.2 PMI on Counter Overflow

The uncore may also be configured to, upon detection of a performance counter overflow, send a PMI signal to the core executing the monitoring software. To do so, the `.pmi_en` in the individual counter's control register must be set to 1 and `U_MSR_PMON_GLOBAL_CTL.pmi_core_sel` must be set to point to the core the monitoring software is executing on.

Note: PMI is decoupled from freeze, so if software also wants the counters frozen, it must set `U_MSR_PMON_GLOBAL_CTL.frz_all` to 1.

### 2.1.3 Setting up a Monitoring Session

On HW reset, all the counters should be disabled. Enabling is hierarchical. So the following steps must be taken to set up a new monitoring session:

a) Reset counters to ensure no stale values have been acquired from previous sessions:

- set `U_MSR_PMON_GLOBAL_CTL.rst_all` to 1.

b) Select event to monitor:

Determine what events should be captured and program the control registers to capture them (i.e. typically selected by programming the `.ev_sel/` bits although other bit fields may be involved).

i.e. Set `B_MSR_PMON_EVT_SEL3.ev_sel` to 0x03 to capture `SNP_MERGE`.

c) Enable counting locally:

i.e. Set `B_MSR_PMON_EVT_SEL3.en` to 1.

d) Enable counting at the box-level:

Enable counters within that box via it's 'GLOBAL\_CTL' register

i.e. set B\_MSR\_PMON\_GLOBAL\_CTL[3] to 1.

e) Select how to gather data. If polling, skip to 4. If sampling:

To set up a **sample interval**, software can pre-program the data register with a value of [ $2^{48}$  - sample interval length]. Doing so allows software, through use of the pmi mechanism, to be **notified** when the number of events in the sample have been captured. Capturing a performance monitoring sample every 'X cycles' (the fixed counter in the W-Box counts uncore clock cycles) is a common use of this mechanism.

i.e. To stop counting and receive notification when the 1,000th SNP\_MERGE has been detected,

- set B\_MSR\_PMON\_CNT to ( $2^{48}$  - 1000)

- set B\_MSR\_PMON\_EVT\_SEL.pmi\_en to 1

- set U\_MSR\_PMON\_GLOBAL\_CTL.frz\_all to 1

- set U\_MSR\_PMON\_GLOBAL\_CTL.pmi\_core\_sel to which core the monitoring thread is executing on.

f) Enable counting at the global level by setting the U\_MSR\_PMON\_GLOBAL\_CTL.en\_all bit to 1. Set the .rst\_all field to 0 with the same write.

And with that, counting will begin.

## 2.1.4 Reading the Sample Interval

Software can either **poll** the counters whenever it chooses, or wait to be **notified** that a counter has overflowed (by receiving a PMI).

**Polling** - before reading, it is recommended that software freeze and disable the counters (by clearing U\_MSR\_PMON\_GLOBAL\_CTL.en\_all).

Overflow bits are stored hierarchically within the Intel® Xeon® Processor E7 Family uncore. First, software should read the U\_MSR\_PMON\_GLOBAL\_STATUS.ov\_\* bits to determine whether a U or W box counter caused the overflow or whether it was a counter in a box attached to the S0 or S1 Box.

The S-Boxes aggregate overflow bits from the M/B/C/R boxes they are attached to. So the next step is to read the S{0,1}\_MSR\_PMON\_SUMMARY.ov\_\* bits. Once the box(es) that contains the overflowing counter is identified, the last step is to read that box's \*\_MSR\_PMON\_GLOBAL\_STATUS.ov field to find the overflowing counter.

Note: More than one counter may overflow at any given time.

## 2.1.5 Enabling a New Sample Interval from Frozen Counters

Note: Software can determine if the counters have been frozen due to a PMI by examining two bits: U\_MSR\_PMON\_GLOBAL\_SUMMARY.pmi should be 1 and U\_MSR\_PMON\_GLOBAL\_CTL.en\_all should be 0. If not, set U\_MSR\_PMON\_GLOBAL\_CTL.en\_all to 0 to disable counting.

a) Clear all uncore counters: Set U\_MSR\_PMON\_GLOBAL\_CTL.rst\_all to 1.

b) Clear all overflow bits. When an overflow bit is cleared, all bits that summarize that overflow (above in the hierarchy) will also be cleared. Therefore it is only necessary to clear the overflow bits corresponding to the actual counter.

i.e. If counter 3 in B-Box 1 overflowed, to clear the overflow bit software should set `B_MSR_PMON_GLOBAL_OVF_CTL.clr_ov[3]` to 1 in B-Box 1. This action will also clear `S_MSR_PMON_SUMMARY.ov_mb` in S-Box 1 and `U_MSR_PMON_GLOBAL_STATUS.ov_s1.c`

c) Create the next sample: Reinitialize the sample by setting the monitoring data register to  $(2^{48} - \text{sample\_interval})$ . Or set up a new sample interval as outlined in [Section 2.1.3, "Setting up a Monitoring Session"](#).

d) Re-enable counting: Set `U_MSR_PMON_GLOBAL_CTL.en_all` to 1. Set the `.rst_all` field back to 0 with the same write.

## 2.1.6 Global Performance Monitors

**Table 2-1. Global Performance Monitoring Control MSRs**

MSR Name	Access	MSR Address	Size (bits)	Description
<code>U_MSR_PMON_GLOBAL_OVF_CTL</code>	RW_RW	0x0C02	32	U-Box PMON Global Overflow Control
<code>U_MSR_PMON_GLOBAL_STATUS</code>	RW_RO	0x0C01	32	U-Box PMON Global Status
<code>U_MSR_PMON_GLOBAL_CTL</code>	RW_RO	0x0C00	32	U-Box PMON Global Control

### 2.1.6.1 Global PMON Global Control/Status Registers

The following registers represent state governing all PMUs in the uncore, both to exert global control and collect box-level information.

`U_MSR_PMON_GLOBAL_CTL` contains bits that can reset (`.rst_all`) and freeze/enable (`.en_all`) all the uncore counters. The `.en_all` bit must be set to 1 before any uncore counters will collect events.

Note: The register also contains the enable for the U-Box counters.

If an overflow is detected in any of the uncore's PMON registers, it will be summarized in `U_MSR_PMON_GLOBAL_STATUS`. This register accumulates overflows sent to it from the U-Box, W-Box and S-Boxes and indicates if a disable was received from one of the boxes. To reset the summary overflow bits, a user must set the corresponding bits in the `U_MSR_PMON_GLOBAL_OVF_CTL` register.

**Table 2-2. U\_MSR\_PMON\_GLOBAL\_CTL Register – Field Definitions**

Field	Bits	HW Reset Value	Description
frz_all	31	0	Disable uncore counting (by clearing .en_all) if PMI is received from box with overflowing counter.
ig	30	0	Read zero; writes ignored.
rst_all	29	0	Reset All Uncore PMON Counters
en_all	28	0	Enable All Uncore PMON Counters
ig	27:11	0	Read zero; writes ignored.
pmi_core_sel	10:1	0	PMI Core Select  Ex: If counter pmi is sent to U-Box for Box with overflowing counter... 00000000 - No PMI sent 00000001 - Send PMI to core 0 10000000 - Send PMI to core 7 11000100 - Send PMI to core 2, 6 & 7  etc.
en	0	0	Enable U-Box PMON counters

**Table 2-3. U\_MSR\_PMON\_GLOBAL\_STATUS Register – Field Definitions**

Field	Bits	HW Reset Value	Description
cond	31	0	Condition Change.
pmi	30	0	PMI Received from box with overflowing counter.
ig	29:4	0	Read zero; writes ignored.
ov_s0	3	0	Set if overflow is detected from a S-Box 0 PMON register.
ov_s1	2	0	Set if overflow is detected from a S-Box 1 PMON register.
ov_w	1	0	Set if overflow is detected from a W-Box PMON register.
ov_u	0	0	Set if overflow is detected from a U-Box PMON register.



**Table 2-4. U\_MSR\_PMON\_GLOBAL\_OVF\_CTL Register – Field Definitions**

Field	Bits	HW Reset Value	Description
clr_cond	31	0	Clear Condition Change
clr_pmi	30	0	Clear PMI Received bit.
ig	29:4	0	Read zero; writes ignored.
clr_ov_s0	3	0	Clear S-Box 0 Overflow
clr_ov_s1	2	0	Clear S-Box 1 Overflow
clr_ov_w	1	0	Clear W-Box Overflow
clr_ov_u	0	0	Clear U-Box Overflow

## 2.2 U-Box Performance Monitoring

The U-Box serves as the system configuration controller for the Intel® Xeon® Processor E7 Family. It contains one counter which can be configured to capture a small set of events.

### 2.2.1 U-Box PMON Summary

**Table 2-5. U-Box Performance Monitoring MSRs**

MSR Name	Access	MSR Address	Size (bits)	Description
U_MSR_PMON_CTR	RW_RW	0x0C11	64	U-Box PMON Counter
U_MSR_PMON_EV_SEL	RW_RO	0x0C10	32	U-Box PMON Event Select

#### 2.2.1.1 U-Box Box Level PMON State

U-Box global state bits are stored in the uncore global state registers. Refer to [Section 2.1, “Global Performance Monitoring Control Counter Overflow”](#) for more information.

#### 2.2.1.2 U-Box PMON state - Counter/Control Pairs

The following table defines the layout of the U-Box performance monitor control register. The main task of this configuration register is to select the event to be monitored by its respective data counter. Setting the `.ev_sel` field performs the event selection. The `.en` bit must be set to 1 to enable counting.

Additional control bits include:

- `.pmi_en` which governs what to do if an overflow is detected.
- `.edge_detect` - Rather than accumulating the raw count each cycle, the register can capture transitions from no event to an event incoming.

**Table 2-6. U\_MSR\_PMON\_EVT\_SEL Register – Field Definitions**

Field	Bits	HW Reset Value	Description
ig	63	0	Read zero; writes ignored.
rsv	62	0	Reserved; Must write to 0 else behavior is undefined.
ig	61:23	0	Read zero; writes ignored.
en	22	0	Local Counter Enable. When set, the associated counter is locally enabled. NOTE: It must also be enabled in U_MSR_PMON_GLOBAL_CTL and the U-Box to be fully enabled.
ig	21	0	Read zero; writes ignored.
pmi_en	20	0	When this bit is asserted and the corresponding counter overflows, a PMI exception is sent to the U-Box.
ig	19	0	Read zero; writes ignored.
edge_detect	18	0	When asserted, the 0 to 1 transition edge of a 1 bit event input will cause the corresponding counter to increment. When 0, the counter will increment for however long the event is asserted.
ig	17:8	0	Read zero; writes ignored.
ev_sel	7:0	0	Select event to be counted.

The U-Box performance monitor data register is 48b wide. A counter overflow occurs when a carry out bit from bit 47 is detected. Software can force all uncore counting to freeze after N events by preloading a monitor with a count value of  $2^{48} - N$  and setting the control register to send a PMI to the U-Box. Upon receipt of the PMI, the U-Box will disable counting ( [Section 2.1.1, "Freezing on Counter Overflow"](#)). During the interval of time between overflow and global disable, the counter value will wrap and continue to collect events.

In this way, software can capture the precise number of events that occurred between the time uncore counting was enabled and when it was disabled (or 'frozen') with minimal skew.

If accessible, software can continuously read the data registers without disabling event collection.

**Table 2-7. U\_MSR\_PMON\_CTR Register – Field Definitions**

Field	Bits	HW Reset Value	Description
event_count	47:0	0	48-bit performance event counter

## 2.2.2 U-Box Performance Monitoring Events

The set of events that can be monitored in the U-Box are summarized in the following section.

- **Tracks NcMsgS packets** generated by the U-Box, as they arbitrate to be broadcast. They are prioritized as follows: Special Cycle->StopReq1/StartReq2->Lock/Unlock->Remote Interrupts->Local Interrupts.
- **Errors** detected and distinguished between recoverable, corrected, uncorrected and fatal.
- Number of times cores were sent **IPIs** or were **Woken** up.

- **Requests** to the Ring or a B-Box.

etc.

## 2.2.3 U-Box Events Ordered By Code

Table 2-8 summarizes the directly-measured U-Box events.

**Table 2-8. Performance Monitor Events for U-Box Events**

Symbol Name	Event Code	Max Inc/Cyc	Description
BUF_VALID_LOCAL_INT	0x000	1	Local IPI Buffer is valid
BUF_VALID_REMOTE_INT	0x001	1	Remote IPI Buffer is valid
BUF_VALID_LOCK	0x002	1	Lock Buffer is valid
BUF_VALID_STST	0x003	1	Start/Stop Req Buffer is valid
BUF_VALID_SPC_CYCLES	0x004	1	SpCyc Buffer is valid
BUF_VALID_DOOR_BELL	0x005	1	Door Bell Buffer Valid
BUF_VALID_PM_IN	0x006	1	PM Request In Buffer Valid
BUF_VALID_PM_OUT	0x007	1	PM Request Out Buffer Valid
U2R_REQUESTS	0x050	1	Number U-Box to Ring Requests
U2B_REQUEST_CYCLES	0x051	1	U to B-Box Active Request Cycles
WOKEN	0x0F8	1	Number of core woken up
IPIS_SENT	0x0F9	1	Number of core IPIs sent
RECOV	0x1DF	1	Recoverable
CORRECTED_ERR	0x1E4	1	Corrected Error
UNCORRECTED_ERR	0x1E5	1	Uncorrected Error
FATAL_ERR	0x1E6	1	Fatal Error

## 2.2.4 U-Box Performance Monitor Event List

This section enumerates Intel® Xeon® Processor E7 Family uncore performance monitoring events for the U-Box.

### BUF\_VALID\_DOOR\_BELL

- **Title:** Door Bell Buffer Valid
- **Category:** U-Box Events
- **Event Code:** 0x005, **Max. Inc/Cyc:** 1,
- **Definition:** Number of uncore cycles the Door Bell packet buffer contained a valid entry.

### BUF\_VALID\_LOCAL\_INT

- **Title:** Local IPI Buffer Valid
- **Category:** U-Box Events
- **Event Code:** 0x000, **Max. Inc/Cyc:** 1,
- **Definition:** Number of cycles the Local Interrupt packet buffer contained a valid entry.

### BUF\_VALID\_LOCK

- **Title:** Lock Buffer Valid
- **Category:** U-Box Events
- **Event Code:** 0x002, **Max. Inc/Cyc:** 1,
- **Definition:** Number of cycles the Lock packet buffer contained a valid entry.

**BUF\_VALID\_PMI\_IN**

- **Title:** PM Request In Buffer Valid
- **Category:** U-Box Events
- **Event Code:** 0x006, **Max. Inc/Cyc:** 1,
- **Definition:** Number of uncore cycles the PM Request In packet buffer contained a valid entry.

**BUF\_VALID\_PMI\_OUT**

- **Title:** PM Request Out Buffer Valid
- **Category:** U-Box Events
- **Event Code:** 0x007, **Max. Inc/Cyc:** 1,
- **Definition:** Number of uncore cycles the PM Request Out packet buffer contained a valid entry.

**BUF\_VALID\_REMOTE\_INT**

- **Title:** Remote IPI Buffer Valid
- **Category:** U-Box Events
- **Event Code:** 0x001, **Max. Inc/Cyc:** 1,
- **Definition:** Number of cycles the Remote IPI packet buffer contained a valid entry.

**BUF\_VALID\_SPC\_CYCLES**

- **Title:** SpcCyc Buffer Valid
- **Category:** U-Box Events
- **Event Code:** 0x004, **Max. Inc/Cyc:** 1,
- **Definition:** Number of uncore cycles the Special Cycle packet buffer contains a valid entry. 'Special Cycles' are NcMsgS packets generated by the U-Box and broadcast to internal cores to cover such things as Shutdown, Invd\_Ack and WbInvd\_Ack conditions.

**BUF\_VALID\_STST**

- **Title:** Start/Stop Req Buffer Valid
- **Category:** U-Box Events
- **Event Code:** 0x003, **Max. Inc/Cyc:** 1,
- **Definition:** Number of uncore cycles the Start/Stop Request packet buffer contained a valid entry.

**CORRECTED\_ERR**

- **Title:** Corrected Errors
- **Category:** U-Box Events
- **Event Code:** 0x1E4, **Max. Inc/Cyc:** 1,
- **Definition:** Number of corrected errors.

**FATAL\_ERR**

- **Title:** Fatal Errors
- **Category:** U-Box Events
- **Event Code:** 0x1E6, **Max. Inc/Cyc:** 1,
- **Definition:** Number of fatal errors.

**IPIS\_SENT**

- **Title:** Number Core IPIs Sent
- **Category:** U-Box Events
- **Event Code:** 0x0F9, **Max. Inc/Cyc:** 1,
- **Definition:** Number of core IPIs sent.

## RECOV

- **Title:** Recoverable
- **Category:** U-Box Events
- **Event Code:** 0x1DF, **Max. Inc/Cyc:** 1,
- **Definition:** Number of recoverable errors.

## U2R\_REQUESTS

- **Title:** Number U2R Requests
- **Category:** U-Box Events
- **Event Code:** 0x050, **Max. Inc/Cyc:** 1,
- **Definition:** Number U-Box to Ring Requests.

## U2B\_REQUEST\_CYCLES

- **Title:** U2B Active Request Cycles
- **Category:** U-Box Events
- **Event Code:** 0x051, **Max. Inc/Cyc:** 1,
- **Definition:** Number U to B-Box Active Request Cycles.

## UNCORRECTED\_ERR

- **Title:** Uncorrected Error
- **Category:** U-Box Events
- **Event Code:** 0x1E5, **Max. Inc/Cyc:** 1,
- **Definition:** Number of uncorrected errors.

## WOKEN

- **Title:** Number Cores Woken Up
- **Category:** U-Box Events
- **Event Code:** 0x0F8, **Max. Inc/Cyc:** 1,
- **Definition:** Number of cores woken up.

## 2.3 C-Box Performance Monitoring

### 2.3.1 Overview of the C-Box

For the Intel® Xeon® Processor E7 Family, the LLC coherence engine (C-Box) manages the interface between the core and the last level cache (LLC). All core transactions that access the LLC are directed from the core to a C-Box via the ring interconnect. The C-Box is responsible for managing data delivery from the LLC to the requesting core. It is also responsible for maintaining coherence between the cores within the socket that share the LLC; generating snoops and collecting snoop responses to the local cores when the MESI protocol requires it.

The C-Box is also the gate keeper for all Intel® QuickPath Interconnect (Intel® QPI) messages that originate in the core and is responsible for ensuring that all Intel QuickPath Interconnect messages that pass through the socket's LLC remain coherent.

The Intel® Xeon® Processor E7 Family contains eight instances of the C-Box, each assigned to manage a distinct 3MB, 24-way set associative slice of the processor's total LLC capacity. For processors with fewer than 10 3MB LLC slices, the C-Boxes for missing slices will still be active and track ring traffic caused by their co-located core even if they have no LLC related traffic to track (i.e. hits/misses/snoops).

Every physical memory address in the system is uniquely associated with a single C-Box instance via a proprietary hashing algorithm that is designed to keep the distribution of traffic across the C-Box instances relatively uniform for a wide range of possible address patterns. This enables the individual C-Box instances to operate independently, each managing its slice of the physical address space without any C-Box in a given socket ever needing to communicate with the other C-Boxes in that same socket.

Each C-Box is uniquely associated with a single S-Box. All messages which a given C-Box sends out to the system memory or Intel QPI pass through the S-Box that is physically closest to that C-Box.

## 2.3.2 C-Box Performance Monitoring Overview

Each of the C-Boxes in the Intel® Xeon® Processor E7 Family supports event monitoring through six 48-bit wide counters (CBx\_CR\_C\_MSR\_PMON\_CTR{5:0}). Each of these six counters can be programmed to count any C-Box event. The C-Box counters can increment by a maximum of 5b per cycle.

For information on how to setup a monitoring session, refer to [Section 2.1, “Global Performance Monitoring Control Counter Overflow”](#).

### 2.3.2.1 C-Box PMU - Overflow, Freeze and Unfreeze

If an overflow is detected from a C-Box performance counter, the overflow bit is set at the box level (C\_MSR\_PMON\_GLOBAL\_STATUS.ov), and forwarded up the chain towards the U-Box. If a C-Box0 counter overflows, a notification is sent and stored in S-Box0 (S\_MSR\_PMON\_SUMMARY.ov\_c\_l) which, in turn, sends the overflow notification up to the U-Box (U\_MSR\_PMON\_GLOBAL\_STATUS.ov\_s0). Refer to [Table 2-26, “S\\_MSR\\_PMON\\_SUMMARY Register Fields”](#) to determine how each C-Box’s overflow bit is accumulated in the attached S-Box.

HW can be also configured (by setting the corresponding *.pmi\_en* to 1) to send a PMI to the U-Box when an overflow is detected. The U-Box may be configured to freeze all uncore counting and/or send a PMI to selected cores when it receives this signal.

Once a freeze has occurred, in order to see a new freeze, the overflow field responsible for the freeze, must be cleared by setting the corresponding bit in C\_MSR\_PMON\_GLOBAL\_OVF\_CTL.clr\_ov. Assuming all the counters have been locally enabled (*.en* bit in data registers meant to monitor events) and the overflow bit(s) has been cleared, the C-Box is prepared for a new sample interval. Once the global controls have been re-enabled ([Section 2.1.5, “Enabling a New Sample Interval from Frozen Counters”](#)), counting will resume.

## 2.3.3 C-BOX Performance Monitors

**Table 2-9. C-Box Performance Monitoring MSRs**

MSR Name	Access	MSR Address	Size (bits)	Description
CB9_CR_C_MSR_PMON_CTR_5	RW_RW	0xFDB	64	C-Box 9 PMON Counter 5
CB9_CR_C_MSR_PMON_EVT_SEL_5	RW_RO	0xFDA	64	C-Box 9 PMON Event Select 5
CB9_CR_C_MSR_PMON_CTR_4	RW_RW	0xFD9	64	C-Box 9 PMON Counter 4
CB9_CR_C_MSR_PMON_EVT_SEL_4	RW_RO	0xFD8	64	C-Box 9 PMON Event Select 4
CB9_CR_C_MSR_PMON_CTR_3	RW_RW	0xFD7	64	C-Box 9 PMON Counter 3
CB9_CR_C_MSR_PMON_EVT_SEL_3	RW_RO	0xFD6	64	C-Box 9 PMON Event Select 3
CB9_CR_C_MSR_PMON_CTR_2	RW_RW	0xFD5	64	C-Box 9 PMON Counter 2
CB9_CR_C_MSR_PMON_EVT_SEL_2	RW_RO	0xFD4	64	C-Box 9 PMON Event Select 2
CB9_CR_C_MSR_PMON_CTR_1	RW_RW	0xFD3	64	C-Box 9 PMON Counter 1
CB9_CR_C_MSR_PMON_EVT_SEL_1	RW_RO	0xFD2	64	C-Box 9 PMON Event Select 1
CB9_CR_C_MSR_PMON_CTR_0	RW_RW	0xFD1	64	C-Box 9 PMON Counter 0
CB9_CR_C_MSR_PMON_EVT_SEL_0	RW_RO	0xFD0	64	C-Box 9 PMON Event Select 0
CB9_CR_C_MSR_PMON_GLOBAL_OVF_CTL	WO_RO	0xFC2	32	C-Box 9 PMON Global Overflow Control
CB9_CR_C_MSR_PMON_GLOBAL_STATUS	RW_RW	0xFC1	32	C-Box 9 PMON Global Status
CB9_CR_C_MSR_PMON_GLOBAL_CTL	RW_RO	0xFC0	32	C-Box 9 PMON Global Control
CB8_CR_C_MSR_PMON_CTR_5	RW_RW	0xF5B	64	C-Box 8 PMON Counter 5
CB8_CR_C_MSR_PMON_EVT_SEL_5	RW_RO	0xF5A	64	C-Box 8 PMON Event Select 5
CB8_CR_C_MSR_PMON_CTR_4	RW_RW	0xF59	64	C-Box 8 PMON Counter 4
CB8_CR_C_MSR_PMON_EVT_SEL_4	RW_RO	0xF58	64	C-Box 8 PMON Event Select 4
CB8_CR_C_MSR_PMON_CTR_3	RW_RW	0xF57	64	C-Box 8 PMON Counter 3
CB8_CR_C_MSR_PMON_EVT_SEL_3	RW_RO	0xF56	64	C-Box 8 PMON Event Select 3
CB8_CR_C_MSR_PMON_CTR_2	RW_RW	0xF55	64	C-Box 8 PMON Counter 2
CB8_CR_C_MSR_PMON_EVT_SEL_2	RW_RO	0xF54	64	C-Box 8 PMON Event Select 2
CB8_CR_C_MSR_PMON_CTR_1	RW_RW	0xF53	64	C-Box 8 PMON Counter 1
CB8_CR_C_MSR_PMON_EVT_SEL_1	RW_RO	0xF52	64	C-Box 8 PMON Event Select 1
CB8_CR_C_MSR_PMON_CTR_0	RW_RW	0xF51	64	C-Box 8 PMON Counter 0
CB8_CR_C_MSR_PMON_EVT_SEL_0	RW_RO	0xF50	64	C-Box 8 PMON Event Select 0
CB8_CR_C_MSR_PMON_GLOBAL_OVF_CTL	WO_RO	0xF42	32	C-Box 8 PMON Global Overflow Control
CB8_CR_C_MSR_PMON_GLOBAL_STATUS	RW_RW	0xF41	32	C-Box 8 PMON Global Status
CB8_CR_C_MSR_PMON_GLOBAL_CTL	RW_RO	0xF40	32	C-Box 8 PMON Global Control
CB7_CR_C_MSR_PMON_CTR_5	RW_RW	0xDFB	64	C-Box 7 PMON Counter 5
CB7_CR_C_MSR_PMON_EVT_SEL_5	RW_RO	0xDFA	64	C-Box 7 PMON Event Select 5
CB7_CR_C_MSR_PMON_CTR_4	RW_RW	0xDF9	64	C-Box 7 PMON Counter 4
CB7_CR_C_MSR_PMON_EVT_SEL_4	RW_RO	0xDF8	64	C-Box 7 PMON Event Select 4
CB7_CR_C_MSR_PMON_CTR_3	RW_RW	0xDF7	64	C-Box 7 PMON Counter 3
CB7_CR_C_MSR_PMON_EVT_SEL_3	RW_RO	0xDF6	64	C-Box 7 PMON Event Select 3
CB7_CR_C_MSR_PMON_CTR_2	RW_RW	0xDF5	64	C-Box 7 PMON Counter 2

MSR Name	Access	MSR Address	Size (bits)	Description
CB7_CR_C_MSR_PMON_EVT_SEL_2	RW_RO	0xDF4	64	C-Box 7 PMON Event Select 2
CB7_CR_C_MSR_PMON_CTR_1	RW_RW	0xDF3	64	C-Box 7 PMON Counter 1
CB7_CR_C_MSR_PMON_EVT_SEL_1	RW_RO	0xDF2	64	C-Box 7 PMON Event Select 1
CB7_CR_C_MSR_PMON_CTR_0	RW_RW	0xDF1	64	C-Box 7 PMON Counter 0
CB7_CR_C_MSR_PMON_EVT_SEL_0	RW_RO	0xDF0	64	C-Box 7 PMON Event Select 0
CB7_CR_C_MSR_PMON_GLOBAL_OVF_CTL	WO_RO	0xDE2	32	C-Box 7 PMON Global Overflow Control
CB7_CR_C_MSR_PMON_GLOBAL_STATUS	RW_RW	0xDE1	32	C-Box 7 PMON Global Status
CB7_CR_C_MSR_PMON_GLOBAL_CTL	RW_RO	0xDE0	32	C-Box 7 PMON Global Control
CB3_CR_C_MSR_PMON_CTR_5	RW_RW	0xDDB	64	C-Box 3 PMON Counter 5
CB3_CR_C_MSR_PMON_EVT_SEL_5	RW_RO	0xDDA	64	C-Box 3 PMON Event Select 5
CB3_CR_C_MSR_PMON_CTR_4	RW_RW	0xDD9	64	C-Box 3 PMON Counter 4
CB3_CR_C_MSR_PMON_EVT_SEL_4	RW_RO	0xDD8	64	C-Box 3 PMON Event Select 4
CB3_CR_C_MSR_PMON_CTR_3	RW_RW	0xDD7	64	C-Box 3 PMON Counter 3
CB3_CR_C_MSR_PMON_EVT_SEL_3	RW_RO	0xDD6	64	C-Box 3 PMON Event Select 3
CB3_CR_C_MSR_PMON_CTR_2	RW_RW	0xDD5	64	C-Box 3 PMON Counter 2
CB3_CR_C_MSR_PMON_EVT_SEL_2	RW_RO	0xDD4	64	C-Box 3 PMON Event Select 2
CB3_CR_C_MSR_PMON_CTR_1	RW_RW	0xDD3	64	C-Box 3 PMON Counter 1
CB3_CR_C_MSR_PMON_EVT_SEL_1	RW_RO	0xDD2	64	C-Box 3 PMON Event Select 1
CB3_CR_C_MSR_PMON_CTR_0	RW_RW	0xDD1	64	C-Box 3 PMON Counter 0
CB3_CR_C_MSR_PMON_EVT_SEL_0	RW_RO	0xDD0	64	C-Box 3 PMON Event Select 0
CB3_CR_C_MSR_PMON_GLOBAL_OVF_CTL	WO_RO	0xDC2	32	C-Box 3 PMON Global Overflow Control
CB3_CR_C_MSR_PMON_GLOBAL_STATUS	RW_RW	0xDC1	32	C-Box 3 PMON Global Status
CB3_CR_C_MSR_PMON_GLOBAL_CTL	RW_RO	0xDC0	32	C-Box 3 PMON Global Control
CB5_CR_C_MSR_PMON_CTR_5	RW_RW	0xDBB	64	C-Box 5 PMON Counter 5
CB5_CR_C_MSR_PMON_EVT_SEL_5	RW_RO	0xDBA	64	C-Box 5 PMON Event Select 5
CB5_CR_C_MSR_PMON_CTR_4	RW_RW	0xDB9	64	C-Box 5 PMON Counter 4
CB5_CR_C_MSR_PMON_EVT_SEL_4	RW_RO	0xDB8	64	C-Box 5 PMON Event Select 4
CB5_CR_C_MSR_PMON_CTR_3	RW_RW	0xDB7	64	C-Box 5 PMON Counter 3
CB5_CR_C_MSR_PMON_EVT_SEL_3	RW_RO	0xDB6	64	C-Box 5 PMON Event Select 3
CB5_CR_C_MSR_PMON_CTR_2	RW_RW	0xDB5	64	C-Box 5 PMON Counter 2
CB5_CR_C_MSR_PMON_EVT_SEL_2	RW_RO	0xDB4	64	C-Box 5 PMON Event Select 2
CB5_CR_C_MSR_PMON_CTR_1	RW_RW	0xDB3	64	C-Box 5 PMON Counter 1
CB5_CR_C_MSR_PMON_EVT_SEL_1	RW_RO	0xDB2	64	C-Box 5 PMON Event Select 1
CB5_CR_C_MSR_PMON_CTR_0	RW_RW	0xDB1	64	C-Box 5 PMON Counter 0
CB5_CR_C_MSR_PMON_EVT_SEL_0	RW_RO	0xDB0	64	C-Box 5 PMON Event Select 0
CB5_CR_C_MSR_PMON_GLOBAL_OVF_CTL	WO_RO	0xDA2	32	C-Box 5 PMON Global Overflow Control
CB5_CR_C_MSR_PMON_GLOBAL_STATUS	RW_RW	0xDA1	32	C-Box 5 PMON Global Status
CB5_CR_C_MSR_PMON_GLOBAL_CTL	RW_RO	0xDA0	32	C-Box 5 PMON Global Control



MSR Name	Access	MSR Address	Size (bits)	Description
CB1_CR_C_MSR_PMON_CTR_5	RW_RW	0xD9B	64	C-Box 1 PMON Counter 5
CB1_CR_C_MSR_PMON_EVT_SEL_5	RW_RO	0xD9A	64	C-Box 1 PMON Event Select 5
CB1_CR_C_MSR_PMON_CTR_4	RW_RW	0xD99	64	C-Box 1 PMON Counter 4
CB1_CR_C_MSR_PMON_EVT_SEL_4	RW_RO	0xD98	64	C-Box 1 PMON Event Select 4
CB1_CR_C_MSR_PMON_CTR_3	RW_RW	0xD97	64	C-Box 1 PMON Counter 3
CB1_CR_C_MSR_PMON_EVT_SEL_3	RW_RO	0xD96	64	C-Box 1 PMON Event Select 3
CB1_CR_C_MSR_PMON_CTR_2	RW_RW	0xD95	64	C-Box 1 PMON Counter 2
CB1_CR_C_MSR_PMON_EVT_SEL_2	RW_RO	0xD94	64	C-Box 1 PMON Event Select 2
CB1_CR_C_MSR_PMON_CTR_1	RW_RW	0xD93	64	C-Box 1 PMON Counter 1
CB1_CR_C_MSR_PMON_EVT_SEL_1	RW_RO	0xD92	64	C-Box 1 PMON Event Select 1
CB1_CR_C_MSR_PMON_CTR_0	RW_RW	0xD91	64	C-Box 1 PMON Counter 0
CB1_CR_C_MSR_PMON_EVT_SEL_0	RW_RO	0xD90	64	C-Box 1 PMON Event Select 0
CB1_CR_C_MSR_PMON_GLOBAL_OVF_CTL	WO_RO	0xD82	32	C-Box 1 PMON Global Overflow Control
CB1_CR_C_MSR_PMON_GLOBAL_STATUS	RW_RW	0xD81	32	C-Box 1 PMON Global Status
CB1_CR_C_MSR_PMON_GLOBAL_CTL	RW_RO	0xD80	32	C-Box 1 PMON Global Control
CB6_CR_C_MSR_PMON_CTR_5	RW_RW	0xD7B	64	C-Box 6 PMON Counter 5
CB6_CR_C_MSR_PMON_EVT_SEL_5	RW_RO	0xD7A	64	C-Box 6 PMON Event Select 5
CB6_CR_C_MSR_PMON_CTR_4	RW_RW	0xD79	64	C-Box 6 PMON Counter 4
CB6_CR_C_MSR_PMON_EVT_SEL_4	RW_RO	0xD78	64	C-Box 6 PMON Event Select 4
CB6_CR_C_MSR_PMON_CTR_3	RW_RW	0xD77	64	C-Box 6 PMON Counter 3
CB6_CR_C_MSR_PMON_EVT_SEL_3	RW_RO	0xD76	64	C-Box 6 PMON Event Select 3
CB6_CR_C_MSR_PMON_CTR_2	RW_RW	0xD75	64	C-Box 6 PMON Counter 2
CB6_CR_C_MSR_PMON_EVT_SEL_2	RW_RO	0xD74	64	C-Box 6 PMON Event Select 2
CB6_CR_C_MSR_PMON_CTR_1	RW_RW	0xD73	64	C-Box 6 PMON Counter 1
CB6_CR_C_MSR_PMON_EVT_SEL_1	RW_RO	0xD72	64	C-Box 6 PMON Event Select 1
CB6_CR_C_MSR_PMON_CTR_0	RW_RW	0xD71	64	C-Box 6 PMON Counter 0
CB6_CR_C_MSR_PMON_EVT_SEL_0	RW_RO	0xD70	64	C-Box 6 PMON Event Select 0
CB6_CR_C_MSR_PMON_GLOBAL_OVF_CTL	WO_RO	0xD62	32	C-Box 6 PMON Global Overflow Control
CB6_CR_C_MSR_PMON_GLOBAL_STATUS	RW_RW	0xD61	32	C-Box 6 PMON Global Status
CB6_CR_C_MSR_PMON_GLOBAL_CTL	RW_RO	0xD60	32	C-Box 6 PMON Global Control
CB2_CR_C_MSR_PMON_CTR_5	RW_RW	0xD5B	64	C-Box 2 PMON Counter 5
CB2_CR_C_MSR_PMON_EVT_SEL_5	RW_RO	0xD5A	64	C-Box 2 PMON Event Select 5
CB2_CR_C_MSR_PMON_CTR_4	RW_RW	0xD59	64	C-Box 2 PMON Counter 4
CB2_CR_C_MSR_PMON_EVT_SEL_4	RW_RO	0xD58	64	C-Box 2 PMON Event Select 4
CB2_CR_C_MSR_PMON_CTR_3	RW_RW	0xD57	64	C-Box 2 PMON Counter 3
CB2_CR_C_MSR_PMON_EVT_SEL_3	RW_RO	0xD56	64	C-Box 2 PMON Event Select 3
CB2_CR_C_MSR_PMON_CTR_2	RW_RW	0xD55	64	C-Box 2 PMON Counter 2
CB2_CR_C_MSR_PMON_EVT_SEL_2	RW_RO	0xD54	64	C-Box 2 PMON Event Select 2
CB2_CR_C_MSR_PMON_CTR_1	RW_RW	0xD53	64	C-Box 2 PMON Counter 1

MSR Name	Access	MSR Address	Size (bits)	Description
CB2_CR_C_MSR_PMON_EVT_SEL_1	RW_RO	0xD52	64	C-Box 2 PMON Event Select 1
CB2_CR_C_MSR_PMON_CTR_0	RW_RW	0xD51	64	C-Box 2 PMON Counter 0
CB2_CR_C_MSR_PMON_EVT_SEL_0	RW_RO	0xD50	64	C-Box 2 PMON Event Select 0
CB2_CR_C_MSR_PMON_GLOBAL_OVF_CTL	WO_RO	0xD42	32	C-Box 2 PMON Global Overflow Control
CB2_CR_C_MSR_PMON_GLOBAL_STATUS	RW_RW	0xD41	32	C-Box 2 PMON Global Status
CB2_CR_C_MSR_PMON_GLOBAL_CTL	RW_RO	0xD40	32	C-Box 2 PMON Global Control
CB4_CR_C_MSR_PMON_CTR_5	RW_RW	0xD3B	64	C-Box 4 PMON Counter 5
CB4_CR_C_MSR_PMON_EVT_SEL_5	RW_RO	0xD3A	64	C-Box 4 PMON Event Select 5
CB4_CR_C_MSR_PMON_CTR_4	RW_RW	0xD39	64	C-Box 4 PMON Counter 4
CB4_CR_C_MSR_PMON_EVT_SEL_4	RW_RO	0xD38	64	C-Box 4 PMON Event Select 4
CB4_CR_C_MSR_PMON_CTR_3	RW_RW	0xD37	64	C-Box 4 PMON Counter 3
CB4_CR_C_MSR_PMON_EVT_SEL_3	RW_RO	0xD36	64	C-Box 4 PMON Event Select 3
CB4_CR_C_MSR_PMON_CTR_2	RW_RW	0xD35	64	C-Box 4 PMON Counter 2
CB4_CR_C_MSR_PMON_EVT_SEL_2	RW_RO	0xD34	64	C-Box 4 PMON Event Select 2
CB4_CR_C_MSR_PMON_CTR_1	RW_RW	0xD33	64	C-Box 4 PMON Counter 1
CB4_CR_C_MSR_PMON_EVT_SEL_1	RW_RO	0xD32	64	C-Box 4 PMON Event Select 1
CB4_CR_C_MSR_PMON_CTR_0	RW_RW	0xD31	64	C-Box 4 PMON Counter 0
CB4_CR_C_MSR_PMON_EVT_SEL_0	RW_RO	0xD30	64	C-Box 4 PMON Event Select 0
CB4_CR_C_MSR_PMON_GLOBAL_OVF_CTL	WO_RO	0xD22	32	C-Box 4 PMON Global Overflow Control
CB4_CR_C_MSR_PMON_GLOBAL_STATUS	RW_RW	0xD21	32	C-Box 4 PMON Global Status
CB4_CR_C_MSR_PMON_GLOBAL_CTL	RW_RO	0xD20	32	C-Box 4 PMON Global Control
CB0_CR_C_MSR_PMON_CTR_5	RW_RW	0xD1B	64	C-Box 0 PMON Counter 5
CB0_CR_C_MSR_PMON_EVT_SEL_5	RW_RO	0xD1A	64	C-Box 0 PMON Event Select 5
CB0_CR_C_MSR_PMON_CTR_4	RW_RW	0xD19	64	C-Box 0 PMON Counter 4
CB0_CR_C_MSR_PMON_EVT_SEL_4s	RW_RO	0xD18	64	C-Box 0 PMON Event Select 4
CB0_CR_C_MSR_PMON_CTR_3	RW_RW	0xD17	64	C-Box 0 PMON Counter 3
CB0_CR_C_MSR_PMON_EVT_SEL_3	RW_RO	0xD16	64	C-Box 0 PMON Event Select 3
CB0_CR_C_MSR_PMON_CTR_2	RW_RW	0xD15	64	C-Box 0 PMON Counter 2
CB0_CR_C_MSR_PMON_EVT_SEL_2	RW_RO	0xD14	64	C-Box 0 PMON Event Select 2
CB0_CR_C_MSR_PMON_CTR_1	RW_RW	0xD13	64	C-Box 0 PMON Counter 1
CB0_CR_C_MSR_PMON_EVT_SEL_1	RW_RO	0xD12	64	C-Box 0 PMON Event Select 1
CB0_CR_C_MSR_PMON_CTR_0	RW_RW	0xD11	64	C-Box 0 PMON Counter 0
CB0_CR_C_MSR_PMON_EVT_SEL_0	RW_RO	0xD10	64	C-Box 0 PMON Event Select 0
CB0_CR_C_MSR_PMON_GLOBAL_OVF_CTL	WO_RO	0xD02	32	C-Box 0 PMON Global Overflow Control
CB0_CR_C_MSR_PMON_GLOBAL_STATUS	RW_RW	0xD01	32	C-Box 0 PMON Global Status
CB0_CR_C_MSR_PMON_GLOBAL_CTL	RW_RO	0xD00	32	C-Box 0 PMON Global Control

### 2.3.3.1 C-Box Box Level PMON state

The following registers represent the state governing all box-level PMUs in the C-Box.

The `_GLOBAL_CTL` register contains the bits used to enable monitoring. It is necessary to set the `.ctr_en` bit to 1 before the corresponding data register can collect events.

If an overflow is detected from one of the C-Box PMON registers, the corresponding bit in the `_GLOBAL_STATUS.ov` field will be set. To reset the overflow bits set in the `_GLOBAL_STATUS.ov` field, a user must set the corresponding bits in the `_GLOBAL_OVF_CTL.clr_ov` field before beginning a new sample interval.

**Table 2-10. C\_MSR\_PMON\_GLOBAL\_CTL Register – Field Definitions**

Field	Bits	HW Reset Value	Description
<code>ctr_en</code>	5:0	0	Must be set to enable each C-Box counter. NOTE: U-Box enable and per counter enable must also be set to fully enable the counter.

**Table 2-11. C\_MSR\_PMON\_GLOBAL\_STATUS Register – Field Definitions**

Field	Bits	HW Reset Value	Description
<code>ov</code>	5:0	0	If an overflow is detected from the corresponding CBOX PMON register, it's overflow bit will be set. NOTE: This bit is also cleared by setting the corresponding bit in <code>C_MSR_PMON_GLOBAL_OVF_CTL</code>

**Table 2-12. C\_MSR\_PMON\_GLOBAL\_OVF\_CTL Register – Field Definitions**

Field	Bits	HW Reset Value	Description
<code>clr_ov</code>	5:0	0	Write '1' to reset the corresponding <code>C_MSR_PMON_GLOBAL_STATUS</code> overflow bit.

### 2.3.3.2 C-Box PMON state - Counter/Control Pairs

The following table defines the layout of the C-Box performance monitor control registers. The main task of these configuration registers is to select the event to be monitored by their respective data counter. Setting the `.ev_sel` and `.umask` fields performs the event selection. The `.en` bit must be set to 1 to enable counting.

Additional control bits include:

- `.pmi_en` governs what to do if an overflow is detected.
- `.threshold` - since C-Box counters can increment by a value greater than 1, a threshold can be applied. If the `.threshold` is set to a non-zero value, that value is compared against the incoming count for that event in each cycle. If the incoming count is  $\geq$  the threshold value, then the event count captured in the data register will be incremented by 1.

- *.invert* - Changes the *.threshold* test condition to '<\'
- *.edge\_detect* - Rather than accumulating the raw count each cycle (for events that can increment by 1 per cycle), the register can capture transitions from no event to an event incoming.

**Table 2-13. C\_MSR\_PMON\_EVT\_SEL{5-0} Register – Field Definitions**

Field	Bits	HW Reset Value	Description
ig	63	0	Read zero; writes ignored.
rsv	62:61	0	Reserved; Must write to 0 else behavior is undefined.
ig	60:32	0	Read zero; writes ignored.
threshold	31:24	0	Threshold used in counter comparison.
invert	23	0	When 0, the comparison that will be done is $\text{threshold} \leq \text{event}$ . When set to 1, the comparison that is inverted (e.g. $\text{threshold} < \text{event}$ )
en	22	0	Local Counter Enable. When set, the associated counter is locally enabled. NOTE: It must also be enabled in C_MSR_PMON_GLOBAL_CTL and the U-Box to be fully enabled.
ig	21	0	Read zero; writes ignored.
pmi_en	20	0	When this bit is asserted and the corresponding counter overflows, a PMI exception is sent to the U-Box.
ig	19	0	Read zero; writes ignored.
edge_detect	18	0	When asserted, the 0 to 1 transition edge of a 1 bit event input will cause the corresponding counter to increment. When 0, the counter will increment for however long the event is asserted.  NOTE: <i>.edge_detect</i> is in series following <i>threshold</i> and <i>invert</i> , so it can be applied to multi-increment events that have been filtered by the <i>threshold</i> field.
ig	17:16	0	Read zero; writes ignored.
umask	15:8	0	Select subevents to be counted within the selected event.
ev_sel	7:0	0	Select event to be counted.

The C-Box performance monitor data registers are 48b wide. A counter overflow occurs when a carry out bit from bit 47 is detected. Software can force all uncore counting to freeze after N events by preloading a monitor with a count value of  $2^{48} - N$  and setting the control register to send a PMI to the U-Box. Upon receipt of the PMI, the U-Box will disable counting ( [Section 2.1.1, "Freezing on Counter Overflow"](#)). During the interval of time between overflow and global disable, the counter value will wrap and continue to collect events.

In this way, software can capture the precise number of events that occurred between the time uncore counting was enabled and when it was disabled (or 'frozen') with minimal skew.

If accessible, software can continuously read the data registers without disabling event collection.

**Table 2-14. C\_MSR\_PMON\_CTR{5-0} Register – Field Definitions**

Field	Bits	HW Reset Value	Description
event_count	47:0	0	48-bit performance event counter

## 2.3.4 C-BOX Performance Monitoring Events

### 2.3.4.1 An Overview

The performance monitoring events within the C-Box include all events internal to the LLC as well as events which track ring related activity at the C-Box/Core ring stops. The only ring specific events that are not tracked by the C-Box PMUs are those events that track ring activity at the S-Box ring stop (see the S-Box chapter for details on those events).

C-Box performance monitoring events can be used to track LLC access rates, LLC hit/miss rates, LLC eviction and fill rates, and to detect evidence of back pressure on the LLC pipelines. In addition, the C-Box has performance monitoring events for tracking MESI state transitions that occur as a result of data sharing across sockets in a multi-socket system. And finally, there are events in the C-Box for tracking ring traffic at the C-Box/Core sink inject points.

Every event in the C-Box (with the exception of the P2C inject and \*2P sink counts) are from the point of view of the LLC and cannot be associated with any specific core since all cores in the socket send their LLC transactions to all C-Boxes in the socket. The P2C inject and \*2P sink counts serve as the exception since those events are tracking ring activity at the cores' ring inject/sink points.

There are separate sets of counters for each C-Box instance. For any event, to get an aggregate count of that event for the entire LLC, the counts across the C-Box instances must be added together. The counts can be averaged across the C-Box instances to get a view of the typical count of an event from the perspective of the individual C-Boxes. Individual per-C-Box deviations from the average can be used to identify hot-spotting across the C-Boxes or other evidences of non-uniformity in LLC behavior across the C-Boxes. Such hot-spotting should be rare, though a repetitive polling on a fixed physical address is one obvious example of a case where an analysis of the deviations across the C-Boxes would indicate hot-spotting.

### 2.3.4.2 Acronyms frequently used in C-Box Events

The Rings:

**AD** (Address) Ring - Core Read/Write Requests and Intel QPI Snoops. Carries Intel QPI requests and snoop responses from C to S-Box.

**BL** (Block or Data) Ring - Data == 2 transfers for 1 cache line

**AK** (Acknowledge) Ring - Acknowledges S-Box to C-Box and C-Box to Core. Carries snoop responses from Core to C-Box.

**IV** (Invalidate) Ring - C-Box Snoop requests of core caches

Internal C-Box Queues:

**IRQ** - Ingress Request Queue on AD Ring. Associated with requests from core.

**IPQ** - Ingress Probe Queue on AD Ring. Associated with snoops from S-Box.

**VIQ** - Victim Queue internal to C-Box.

**IDQ** - Ingress Data Queue on BL Ring. For data from either Core or S-Box.

**ICQ** - S-Box Ingress Complete Queue on AK Ring

**SRQ** - Processor Snoop Response Queue on AK ring

**IGQ** - Ingress GO-pending (tracking GO's to core) Queue

**MAF** - Miss Address File. Intel QPI ordering buffer that also tracks local coherence.

### 2.3.4.3 The Queues

There are seven internal occupancy queue counters, each of which is 5bits wide and dedicated to its queue: IRQ, IPQ, VIQ, MAF, RWRF, RSPF, IDF.

Note: IDQ, ICQ, SRQ and IGQ occupancies are not tracked since they are mapped 1:1 to the MAF and, therefore, can not create back pressure.

It should be noted that, while the IRQ, IPQ, VIQ and MAF queues reside within the C-Box; the RWRF, RSPF and IDF queues do not. Instead, they live in-between the Core and the Ring buffering messages as those messages transit between the two. This distinction is useful in that, the queues located within the C-Box can provide information about what is going on in the LLC with respect to the flow of transactions at the point where they become "observed" by the coherence fabric (i.e., where the MAF is located). Occupancy of these buffers informs how many transactions the C-Box is tracking, and where the bottlenecks are manifesting when the C-Box starts to get busy and/or congested.

There is no need to explicitly reset the occupancy counters in the C-Box since they are counting from reset de-assertion.

### 2.3.4.4 Detecting Performance Problems in the C-Box Pipeline

IRQ occupancy counters should be used to track if the C-Box pipeline is exerting back pressure on the Core-request path. There is a one-to-one correspondence between the LLC requests generated by the cores and the IRQ allocations. IPQ occupancy counters should be used to track if the C-Box pipeline is exerting back pressure on the Intel QPI-snoop path. There is a one-to-one correspondence between the Intel QPI snoops received by the socket, and the IPQ allocations in the C-Boxes. In both cases, if the message is in the IRQ/IPQ then the C-Box hasn't acknowledged it yet and the request hasn't yet entered the LLC's "coherence domain". It deallocates from the IRQ/IPQ at the moment that the C-Box does acknowledge it. In optimal performance scenarios, where there are minimal conflicts between transactions and loads are low enough to keep latencies relatively near to idle, IRQ and IPQ occupancies should remain very low.

One relatively common scenario in which IRQ back pressure will be high is worth mentioning: The IRQ will backup when software is demanding data from memory at a rate that exceeds the available memory BW. The IRQ is designed to be the place where the extra transactions wait U-Box's RTIDs to become available when memory becomes saturated. IRQ back pressure becomes interesting in a scenario where memory is not operating at or near peak sustainable BW. That can be a sign of a performance problem that may be correctable with software tuning.

One final warning on LLC pipeline congestion: Care should be taken not to blindly sum events across C-Boxes without also checking the deviation across individual C-Boxes when investigating performance issues that are concentrated in the C-Box pipelines. Performance problems where congestion in the C-Box pipelines is the cause should be rare, but if they do occur, the event counts may not be homogeneous across the C-Boxes in the socket. The average count across the C-Boxes may be misleading. If performance issues are found in this area it will be useful to know if they are or are not localized to specific C-Boxes.

## 2.3.5 C-Box Events Ordered By Code

Table 2-15 summarizes the directly-measured C-Box events.

**Table 2-15. Performance Monitor Events for C-Box Events**

Symbol Name	Event Code	Max Inc/ Cyc	Description
<b>Ring Events</b>			
BOUNCES_P2C_AD	0x01	1	Number of P2C AD bounces.
BOUNCES_C2P_AK	0x02	1	Number of C2P AK bounces.
BOUNCES_C2P_BL	0x03	1	Number of C2P BL bounces.
BOUNCES_C2P_IV	0x04	1	Number of C2P IV bounces.
SINKS_P2C	0x05	3	Number of P2C sinks.
SINKS_C2P	0x06	3	Number of C2P sinks.
SINKS_S2C	0x07	3	Number of S2C sinks.
SINKS_S2P_BL	0x08	1	Number of S2P sinks (BL only).
ARB_WINS	0x09	7	Number of ARB wins.
ARB_LOSSES	0x0A	7	Number of ARB losses.
<b>Local Events</b>			
STARVED_EGRESS	0x0B	8	Increment on EGR queue starvation
EGRESS_BYPASS_WINS	0x0C	7	Egress Bypass Wins
INGRESS_BYPASS_WINS_AD	0x0E	1	Ingress S-Box/Non-S-Box Bypass Wins
MAF_ACK	0x10	1	MAF Acknowledges
MAF_NACK1	0x11	1	MAF Non-Acknowledgements (First Set)
MAF_NACK2	0x12	1	MAF Non-Acknowledgements (Second Set)
LLC_MISSES	0x14	1	LLC Misses
LLC_HITS	0x15	1	LLC Hits
LLC_S_FILLS	0x16	1	LLC lines filled from S-Box
LLC_VICTIMS	0x17	1	LLC lines victimized
<b>Queue Occupancy Events</b>			
OCCUPANCY_IRQ	0x18	24	IRQ Occupancy
TRANS_IRQ	0x19	1	IRQ Transactions (dealloc)
OCCUPANCY_IPQ	0x1A	8	IPQ Occupancy
TRANS_IPQ	0x1B	1	IPQ Transactions
OCCUPANCY_VIQ	0x1C	8	VIQ Occupancy
TRANS_VIQ	0x1D	1	VIQ Transactions
OCCUPANCY_MAF	0x1E	16	MAF Occupancy
TRANS_MAF	0x1F	1	MAF Transactions
OCCUPANCY_RWRF	0x20	12	RWRF Occupancy
TRANS_RWRF	0x21	1	RWRF Transactions
OCCUPANCY_RSPF	0x22	8	RSPF Occupancy
TRANS_RSPF	0x23	1	RSPF Transactions
SNPS	0x27	1	Snoops to LLC
SNP_HITS	0x28	1	Snoop Hits in LLC

**Table 2-15. Performance Monitor Events for C-Box Events**

Symbol Name	Event Code	Max Inc/ Cyc	Description
<b>Ring Events</b>			
<b>EGL Special Request</b>			
SPL_DEAD	0x29	1	Special Deadlock
SPL_ARB_PRI_SW	0x2A	1	Special ARB Priority Switch
SPL_NOT_CO	0x2B	1	Special Request Not Collocated
SPL_CO_SB	0x2C	1	Special Request Collocated in SB direction
SPL_CO_NSB	0x2D	1	Special Request Collocated in NSB direction
SPL_IN_FULL_IRQ	0x2E	1	Special Request Allocated in Full IRQ
SPL_EGR_SB	0x2F	1	Special Request at EGR in SB direction
SPL_EGR_NSB	0x30	1	Special Request at EGR in NSB direction
<b>EGL Miscellaneous</b>			
IGR_OP_SRAM	0x31	1	SRAM at IGR Read Output
IGR_OP_UC	0x32	1	UC read at IGR Read Output
ARB_WINS_P2C_SB	0x33	1	P2C ARB Win at EGR in SB direction
ARB_WINS_P2C_NSB	0x34	1	P2C ARB Win at EGR in NSB direction
SPOOF_CRD_EMPTY	0x35	1	Spoof Credit Counter Empty
IDF_NONZERO_NO_BL_CRD	0x36	1	IDF Non-zero but no BL credits
IDF_NONZERO_NO_VLD	0x37	1	IDF Non-zero but no data valid
BOUNCE_ASSERT	0x38	1	IV Bounce Assertion Edge
BOUNCE_DEASSERT	0x39	1	IV Bounce De-assertion Edge
SPOOF_ASSERT	0x3A	1	IV Spoof Assertion Edge
SPOOF_DEASSERT	0x3B	1	IV Spoof De-assertion Edge
IGR_BID_BLOCKED	0x3C	1	IGR Bidding Blocked

### 2.3.6 C-Box Performance Monitor Event List

This section enumerates Intel® Xeon® Processor E7 Family uncore performance monitoring events for the C-Box.

#### ARB\_LOSSES

- **Title:** Arbiter Losses.
- **Category:** Ring - Egress
- **Event Code:** 0x0A, **Max. Inc/Cyc:** 7,
- **Definition:** Number of Ring arbitration losses. A loss occurs when a message injection on to the ring fails. This could occur either because there was another message resident on the ring at that ring stop or because the co-located ring agent issued a message onto the ring in the same cycle.

Extension	umask [15:8]	Description
---	b00000000	(*nothing will be counted*)
AD_SB	b00000001	AD ring in the direction that points toward the nearest S-Box



Extension	umask [15:8]	Description
AD_NSB	b00000010	AD ring in the direction that points away from the nearest S-Box
AD_ALL	b00000011	AD ring in either direction.
AK_SB	b00000100	AK ring in the direction that points toward the nearest S-Box
AK_NSB	b00001000	AK ring in the direction that points away from the nearest S-Box
AK_ALL	b00001100	AK ring in either direction.
BL_SB	b00010000	BL ring in the direction that points toward the nearest S-Box
BL_NSB	b00100000	BL ring in the direction that points away from the nearest S-Box
BL_ALL	b00110000	BL ring in either direction.
IV	b01000000	IV ring
ALL	b01111111	All rings

### ARB\_WINS

- **Title:** Arbiter Wins
- **Category:** Ring - Egress
- **Event Code:** 0x09, **Max. Inc/Cyc:** 7,
- **Definition:** Number of Ring arbitration wins. A win is when a message was successfully injected onto the ring.

Extension	umask [15:8]	Description
---	b00000000	(*nothing will be counted*)
AD_SB	b00000001	AD ring in the direction that points toward the nearest S-Box
AD_NSB	b00000010	AD ring in the direction that points away from the nearest S-Box
AD_ALL	b00000011	AD ring in either direction.
AK_SB	b00000100	AK ring in the direction that points toward the nearest S-Box
AK_NSB	b00001000	AK ring in the direction that points away from the nearest S-Box
AK_ALL	b00001100	AK ring in either direction.
BL_SB	b00010000	BL ring in the direction that points toward the nearest S-Box
BL_NSB	b00100000	BL ring in the direction that points away from the nearest S-Box
BL_ALL	b00110000	BL ring in either direction.
IV	b01000000	IV ring
ALL	b01111111	All rings

### ARB\_WINS\_P2C\_NSB

- **Title:** P2C ARB Win at EGR in SB direction
- **Category:** EGL Miscellaneous
- **Event Code:** 0x34, **Max. Inc/Cyc:** 1,
- **Definition:** P2C Arb win at C-Box Egress when slot is not reserved by someone else at NSB direction

### ARB\_WINS\_P2C\_SB

- **Title:** P2C ARB Win at EGR in SB direction
- **Category:** EGL Miscellaneous
- **Event Code:** 0x33, **Max. Inc/Cyc:** 1,
- **Definition:** P2C Arb win at C-Box Egress when slot is not reserved by someone else at SB direction

**BOUNCE\_ASSERT**

- **Title:** IV Bounce Assertion Edge
- **Category:** EGL Miscellaneous
- **Event Code:** 0x38, **Max. Inc/Cyc:** 1,
- **Definition:** IV bounce assertion edge

**BOUNCE\_DEASSERT**

- **Title:** IV Bounce De-assertion Edge
- **Category:** EGL Miscellaneous
- **Event Code:** 0x39, **Max. Inc/Cyc:** 1,
- **Definition:** IV bounce de-assertion edge

**BOUNCES\_C2P\_AK**

- **Title:** C2P AK Bounces
- **Category:** Ring - WIR
- **Event Code:** 0x02, **Max. Inc/Cyc:** 1,
- **Definition:** Number of LLC Ack responses to the core that bounced on the AK ring.

Extension	umask [15:8]	Description
---	b00000000	(*nothing will be counted*)
SB	b000000x1	Direction that points toward the nearest S-Box
NSB	b0000001x	Direction that points away from the nearest S-Box
ALL	b00000011	Either direction

**BOUNCES\_C2P\_BL**

- **Title:** C2P BL Bounces
- **Category:** Ring - WIR
- **Event Code:** 0x03, **Max. Inc/Cyc:** 1,
- **Definition:** Number of LLC data responses to the core that bounced on the BL ring.

Extension	umask [15:8]	Description
---	b00000000	(*nothing will be counted*)
SB	b000000x1	Direction that points toward the nearest S-Box
NSB	b0000001x	Direction that points away from the nearest S-Box
ALL	b00000011	Either direction

**BOUNCES\_C2P\_IV**

- **Title:** C2P IV Bounces
- **Category:** Ring - WIR
- **Event Code:** 0x04, **Max. Inc/Cyc:** 1,
- **Definition:** Number of C-Box snoops of a processor's cache that bounced on the IV ring.

**BOUNCES\_P2C\_AD**

- **Title:** P2C AD Bounces
- **Category:** Ring - WIR
- **Event Code:** 0x01, **Max. Inc/Cyc:** ,
- **Definition:** Core request to LLC bounces on AD ring.

Extension	umask [15:8]	Description
---	b00000000	(*nothing will be counted*)
SB	b000000x1	Direction that points toward the nearest S-Box
NSB	b0000001x	Direction that points away from the nearest S-Box
ALL	b00000011	Either direction

**EGRESS\_BYPASS\_WINS**

- **Title:** Egress Bypass Wins
- **Category:** Local - Egress
- **Event Code:** 0x0C, **Max. Inc/Cyc:** 7,
- **Definition:** Number of times a ring egress bypass was taken when a message was injected onto the ring. The subevent field allows tracking of each available egress queue bypass path, including both 0 and 1 cycle versions.

Extension	umask [15:8]	Description
---	b00000000	(*nothing will be counted*)
AD_BYPO	b00000001	0 cycle AD egress bypass
AD_BYP1	b00000010	1 cycle AD egress bypass
AK_BYPO	b00000100	0 cycle AK egress bypass
AK_BYP1	b00001000	1 cycle AK egress bypass
BL_BYPO	b00010000	0 cycle BL egress bypass
BL_BYP1	b00100000	1 cycle BL egress bypass
IV_BYPO	b01000000	0 cycle IV egress bypass
IV_BYP1	b10000000	1 cycle IV egress bypass

**IDF\_NONZERO\_NO\_BL\_CRD**

- **Title:** IDF Non-zero but no BL credits
- **Category:** EGL Miscellaneous
- **Event Code:** 0x36, **Max. Inc/Cyc:** 1,
- **Definition:** IDF count non-zero but no BL credits

**IDF\_NONZERO\_NO\_VLD**

- **Title:** IDF Non-zero but no data valid
- **Category:** EGL Miscellaneous
- **Event Code:** 0x37, **Max. Inc/Cyc:** 1,
- **Definition:** IDF count non-zero but no data valid (IDF dst is not valid)

**IGR\_BID\_BLOCKED**

- **Title:** IGR Bidding Blocked
- **Category:** EGL Miscellaneous
- **Event Code:** 0x3C, **Max. Inc/Cyc:** 1,
- **Definition:** IGR bidding blocked

**IGR\_OP\_SRAM**

- **Title:** SRAM at IGR Read Output
- **Category:** EGL Miscellaneous
- **Event Code:** 0x31, **Max. Inc/Cyc:** 1,
- **Definition:** SRAM read at IGR array read output.

**IGR\_OP\_UC**

- **Title:** UC read at IGR Read Output
- **Category:** EGL Miscellaneous
- **Event Code:** 0x32, **Max. Inc/Cyc:** 1,
- **Definition:** Uncore read at IGR array read output.

**INGRESS\_BYPASS\_WINS\_AD**

- **Title:** Ingress S-Box/Non S-Box Bypass Wins
- **Category:** Local - Egress
- **Event Code:** 0x0E, **Max. Inc/Cyc:** 1,
- **Definition:** Number of times that a message, off the AD ring, sunk by the C-Box took one of the ingress queue bypasses. The subevent field allows tracking of each available ingress queue bypass path, including both 0 and 1 cycle versions.

Extension	umask [15:8]	Description
---	b00000000	(*nothing will be counted*)
IRQ_BYPO	b00000001	0 cycle Ingress Request Queue bypass
IRQ_BYP1	b00000010	1 cycle Ingress Request Queue bypass
IPQ_BYPO	b00000100	0 cycle Ingress Probe Queue bypass
IPQ_BYP1	b00001000	1 cycle Ingress Probe Queue bypass

**LLC\_HITS**

- **Title:** LLC Hits
- **Category:** Local - LLC
- **Event Code:** 0x15, **Max. Inc/Cyc:** 1,
- **Definition:** Last Level Cache Hits
- **NOTE:** LRU hints are included in count.

Extension	umask [15:8]	Description
---	b00000000	(*nothing will be counted*)
M	b0000xxx1	Modified
E	b0000xx1x	Exclusive
S	b0000x1xx	Shared
F	b00001xxx	Forward (S with right to Forward on snoop)
ALL	b00001111	All hits (to any cacheline state)

**LLC\_MISSES**

- **Title:** LLC Misses
- **Category:** Local - LLC
- **Event Code:** 0x14, **Max. Inc/Cyc:** 1,
- **Definition:** Last Level Cache Misses

Extension	umask [15:8]	Description
---	b00000000	(*nothing will be counted*)
S	b00000xx1	Shared - request requires S line to be upgraded (due to RFO)
F	b00000x1x	Forward - request requires F line to be upgraded (due to RFO)
I	b000001xx	Invalid - address not found
ALL	b00000111	All misses

**LLC\_S\_FILLS**

- **Title:** LLC S-Box Fills
- **Category:** Local - LLC
- **Event Code:** 0x16, **Max. Inc/Cyc:** 1,
- **Definition:** Last Level Cache lines filled from S-Box

Extension	umask [15:8]	Description
---	b00000000	(*nothing will be counted*)
M	b0000xxx1	Filled to LLC in Modified (remote socket forwarded M data without writing back to memory controller)
E	b0000xx1x	Filled to LLC in Exclusive
S	b0000x1xx	Filled to LLC in Shared
F	b00001xxx	Filled to LLC in Forward
ALL	b00001111	All fills to LLC

**LLC\_VICTIMS**

- **Title:** LLC Lines Victimized
- **Category:** Local - LLC
- **Event Code:** 0x17, **Max. Inc/Cyc:** 1,
- **Definition:** Last Level Cache lines victimized

Extension	umask [15:8]	Description
---	b00000000	(*nothing will be counted*)
M	b000xxxx1	Modified data victimized (explicit WB to memory)
E	b000xxx1x	Exclusive data victimized
S	b000xx1xx	Shared data victimized
F	b000x1xxx	Forward data victimized
I	b0001xxxx	LLC fill that occurred without victimizing any data

**MAF\_ACK**

- **Title:** MAF ACK
- **Category:** Local - MAF
- **Event Code:** 0x10, **Max. Inc/Cyc:** 1,
- **Definition:** Miss Address File Acknowledgements.

**MAF\_NACK1**

- **Title:** MAF NACK1
- **Category:** Local - MAF
- **Event Code:** 0x11, **Max. Inc/Cyc:** 1,
- **Definition:** Rejected (not-acknowledged) LLC pipeline passes (Set 1).

Extension	umask [15:8]	Description
---	b00000000	(*nothing will be counted*)
GO_PENDING	bxxxxxx1	A message associated with a transaction monitored by the MAF was delayed because the transaction had a GO pending in the requesting core.
VIC_PENDING	bxxxxxx1x	An LLC fill was delayed because the victimized data in the LLC was still being processed.
SNP_PENDING	bxxxxx1xx	A message associated with a transaction monitored by the MAF was delayed because the transaction had a snoop pending.
AC_PENDING	bxxxx1xxx	An incoming remote Intel QPI snoop was delayed because it conflicted with an existing MAF transaction that had an Ack Conflict pending.
IDX_BLOCK	bxxx1xxxx	An incoming local core RD that missed the LLC was delayed because a victim way could not be immediately chosen.
PA_BLOCK	bxx1xxxxx	If this count is very high, it likely means that software is frequently issuing requests to the same physical address from disparate threads simultaneously. Though there will also sometimes be a small number of PA_BLOCK nacks in the background due to cases when a pair of messages associated with the same transaction happen to arrive at the LLC at the same time and one of them gets delayed.
IDLE_QPI	bx1xxxxxx	Idle Intel QPI State
ALL_MAF_NACK2	b1xxxxxxx	A message was rejected when one or more of the sub-events under MAF_NACK2 was true. This is included in MAF_NACK1 so that MAF_NACK1 with sub-event 0xFF will count the total number of Nacks.
TOTAL_MAF_NACKS	b11111111	Total number of LLC pipeline passes that were nacked.

**MAF\_NACK2**

- **Title:** MAF NACK2
- **Category:** Local - MAF
- **Event Code:** 0x12, **Max. Inc/Cyc:** 1,
- **Definition:** Rejected (not-acknowledged) LLC pipeline passes (Set 2).

Extension	umask [15:8]	Description
---	b00000000	(*nothing will be counted*)
MAF_FULL	bxxxxxx1	An incoming local processor RD/WR or remote Intel QPI snoop request that required a MAF entry was delayed because no MAF entry was available.
EGRESS_FULL	bxxxxxx1x	Some incoming message to the LLC that needed to generate a response message for transmission onto the ring was delayed due to ring back pressure.
VIQ_FULL	bxxxxx1xx	An incoming local processor RD request that missed the LLC was delayed because the LLC victim buffer was full.
NO_TRACKER_CREDITS	bxxxx1xxx	An incoming local processor RD or WR request was delayed because it required a Home tracker credit (for example, LLC RD Miss) and no credit was available.
NO_S_FIFO_CREDITS	bxxx1xxxx	Some incoming message to the LLC that needed to generate a message to the S-Box was delayed due to lack of available buffering resources in the S-Box.
NO_S_REQTBL_ENTRIES	bxx1xxxxx	An incoming local processor Rd or WR that needed to generate a transaction to Home (for example, LLC RD Miss) was delayed because the S-Box Request Table was full.
WB_PENDING	bx1xxxxxx	An incoming remote Intel QPI snoop request to the LLC was delayed because it conflicted with an existing transaction that had a WB to Home pending.
NACK2_ELSE	b1xxxxxxx	Some incoming message to the LLC was delayed for a reason not covered by any of the other MAF_NACK1 or MAF_NACK2 sub-events.

**OCCUPANCY\_IPQ**

- **Title:** IPQ Occupancy
- **Category:** Queue Occupancy
- **Event Code:** 0x1A, **Max. Inc/Cyc:** 8,
- **Definition:** Cumulative count of occupancy in the LLC's Ingress Probe Queue.

**OCCUPANCY\_IRQ**

- **Title:** IRQ Occupancy
- **Category:** Queue Occupancy
- **Event Code:** 0x18, **Max. Inc/Cyc:** 24,
- **Definition:** Cumulative count of occupancy in the LLC's Ingress Response Queue.

**OCCUPANCY\_MAF**

- **Title:** MAF Occupancy
- **Category:** Queue Occupancy
- **Event Code:** 0x1E, **Max. Inc/Cyc:** 16,
- **Definition:** Cumulative count of occupancy in the LLC's Miss Address File.

**OCCUPANCY\_RSPF**

- **Title:** RSPF Occupancy
- **Category:** Queue Occupancy
- **Event Code:** 0x22, **Max. Inc/Cyc:** 8,
- **Definition:** Cumulative count of occupancy in the Snoop Response FIFO.

**OCCUPANCY\_RWRF**

- **Title:** RWRF Occupancy
- **Category:** Queue Occupancy
- **Event Code:** 0x20, **Max. Inc/Cyc:** 12,
- **Definition:** Cumulative count of the occupancy in the Read/Write Request FIFO.

**OCCUPANCY\_VIQ**

- **Title:** VIQ Occupancy
- **Category:** Queue Occupancy
- **Event Code:** 0x1C, **Max. Inc/Cyc:** 8,
- **Definition:** Cumulative count of the occupancy in the Victim Ingress Queue.

**SINKS\_C2P**

- **Title:** C2P Sinks
- **Category:** Ring - WIR
- **Event Code:** 0x06, **Max. Inc/Cyc:** 3,
- **Definition:** Number of messages sunk by the processor that were sent by one of the C-Boxes.
- **NOTE:** Each sink represents the transfer of 32 bytes, or 2 sinks per cache line.

Extension	umask [15:8]	Description
---	b00000000	(*nothing will be counted*)
IV	b00000001	IV (C-Box snoops of a processor's cache)
AK	b00000010	AK (GO messages send to the processor)
BL	b00000100	BL (LLC data sent back to processor)

**SINKS\_P2C**

- **Title:** P2C Sinks
- **Category:** Ring - WIR
- **Event Code:** 0x05, **Max. Inc/Cyc:** 3,
- **Definition:** Number of messages sunk from the ring at the C-Box that were sent by one of the local processors.
- **NOTE:** Each sink represents the transfer of 32 bytes, or 2 sinks per cache line.

Extension	umask [15:8]	Description
---	b00000000	(*nothing will be counted*)
AD	b00000001	AD (Core RD/WR requests to the LLC)



Extension	umask [15:8]	Description
AK	b00000010	AK (Core snoop responses to the LLC)
BL	b00000100	BL (explicit and implicit WB data from the core to the LLC)

### SINKS\_S2C

- **Title:** S2C Sinks
- **Category:** Ring - WIR
- **Event Code:** 0x07, **Max. Inc/Cyc:** 3,
- **Definition:** Number of messages sunk from the ring at the C-Box that were sent by the S-Box.
- **NOTE:** Each sink represents the transfer of 32 bytes, or 2 sinks per cache line.

Extension	umask [15:8]	Description
---	b00000000	(*nothing will be counted*)
AD	b00000001	AD (Intel QPI snoop request of LLC)
AK	b00000010	AK (Intel QPI completions sent to LLC)
BL	b00000100	BL (Data Fills sent to the LLC in response to RD requests)

### SINKS\_S2P\_BL

- **Title:** S2P Sinks
- **Category:** Ring - WIRa
- **Event Code:** 0x08, **Max. Inc/Cyc:** 1,
- **Definition:** Number BL ring messages sunk by the processor that were sent from the S-Box. This covers BL only, because that is the only kind of message the S-Box can send to a processor.
- **NOTE:** Each sink represents the transfer of 32 bytes, or 2 sinks per cache line.

### SNP\_HITS

- **Title:** Snoop Hits in LLC
- **Category:** Local - CC
- **Event Code:** 0x28, **Max. Inc/Cyc:** 1,
- **Definition:** Number of Intel QPI snoops that hit in the LLC according to state of LLC when the hit occurred. GotoS: LLC Data or Code Read Snoop Hit 'x' state in remote cache. GotoI: LLC Data Read for Ownership Snoop Hit 'x' state in remote cache.

Extension	umask [15:8]	Description
---	b00000000	(*nothing will be counted*)
REMOTE_RD_HITM	bxxxxxx1	Intel QPI SnpData or SnpCode hit M line in LLC
REMOTE_RD_HITE	bxxxxx1x	Intel QPI SnpData or SnpCode hit E line in LLC
REMOTE_RD_HITS	bxxxx1xx	Intel QPI SnpData or SnpCode hit S line in LLC
REMOTE_RD_HITF	bxxxx1xxx	Intel QPI SnpData or SnpCode hit F line in LLC
REMOTE_RFO_HITM	bxxx1xxxx	Intel QPI SnpInvOwn or SnpInvtoE hit M line in LLC
REMOTE_RFO_HITE	bxx1xxxx	Intel QPI SnpInvOwn or SnpInvtoE hit E line in LLC
REMOTE_RFO_HITS	bx1xxxx	Intel QPI SnpInvOwn or SnpInvtoE hit S line in LLC
REMOTE_RFO_HITF	b1xxxxxx	Intel QPI SnpInvOwn or SnpInvtoE hit F line in LLC
REMOTE_HITM	bxx1xxx1	Intel QPI Snoops that hit M line in LLC
REMOTE_HITE	bxx1xxx1x	Intel QPI Snoops that hit E line in LLC

Extension	umask [15:8]	Description
REMOTE_HITS	bx1xxx1xx	Intel QPI Snoops that hit S line in LLC
REMOTE_HITF	b1xxx1xxx	Intel QPI Snoops that hit F line in LLC
REMOTE_ANY	b11111111	Intel QPI Snoops that hit in LLC (any line state)

## SNPS

- **Title:** Snoops to LLC
- **Category:** Local - CC
- **Event Code:** 0x27, **Max. Inc/Cyc:** 1,
- **Definition:** Number of Intel QPI snoops seen by the LLC.
- **NOTE:** Subtract CACHE\_CHAR\_QUAL.ANY\_HIT from this event to determine how many snoops missed the LLC.

Extension	umask [15:8]	Description
---	b00000000	(*nothing will be counted*)
REMOTE_RD	b000000x1	Remote Read - Goto S State. Intel QPI snoops (SnpData or SnpCode) to LLC that caused a transition to S in the cache. NOTE: ALL SnpData and SnpCode transactions are counted. If SnpData HITM policy is M->I, this subevent will capture those snoops.
REMOTE_RFO	b0000001x	Remote RFO - Goto I State. Intel QPI snoops (SnpInvOwn or SnpInvtoE) to LLC that caused an invalidate of a cache line.
REMOTE_ANY	b00000011	Intel QPI snoops to LLC that hit in the cache line

## SPL\_ARB\_PRI\_SW

- **Title:** Special ARB Priority Switch
- **Category:** EGL Special Request
- **Event Code:** 0x2A, **Max. Inc/Cyc:** 1,
- **Definition:** P2C Uncore/C6 SRAM request sunk when IRQ is full except dedicated entry free

## SPL\_CO\_NSB

- **Title:** Special Request Collocated in NSB direction
- **Category:** EGL Special Request
- **Event Code:** 0x2D, **Max. Inc/Cyc:** 1,
- **Definition:** Uncore/SRAM request received from C-Box Egress in slot reserved for mine in NSB direction

## SPL\_CO\_SB

- **Title:** Special Request Collocated in SB direction
- **Category:** EGL Special Request
- **Event Code:** 0x2C, **Max. Inc/Cyc:** 1,
- **Definition:** Uncore/SRAM request received from C-Box Egress in slot reserved for mine in SB direction

## SPL\_DEAD

- **Title:** Special Deadlock
- **Category:** EGL Special Request
- **Event Code:** 0x29, **Max. Inc/Cyc:** 1,
- **Definition:** P2C Uncore/C6 SRAM request sunk when ring request is bounced

**SPL\_EGR\_NSB**

- **Title:** Special Request at EGR in NSB direction
- **Category:** EGL Special Request
- **Event Code:** 0x30, **Max. Inc/Cyc:** 1,
- **Definition:** Special request at C-Box Egress output in NSB direction

**SPL\_EGR\_SB**

- **Title:** Special Request at EGR in SB direction
- **Category:** EGL Special Request
- **Event Code:** 0x2F, **Max. Inc/Cyc:** 1,
- **Definition:** Special request at C-Box Egress output in SB direction

**SPL\_IN\_FULL\_IRQ**

- **Title:** Special Request Allocated in Full IRQ
- **Category:** EGL Special Request
- **Event Code:** 0x2E, **Max. Inc/Cyc:** 1,
- **Definition:** IRQ is full but special request allocated in IRQ when uncore count is 0

**SPL\_NOT\_CO**

- **Title:** Special Request Not Collocated
- **Category:** EGL Special Request
- **Event Code:** 0x2B, **Max. Inc/Cyc:** 1,
- **Definition:** Uncore/SRAM request sent but not co-located (illegal condition except for packet from Sbox)

**SPOOF\_ASSERT**

- **Title:** IV Spoof Assertion Edge
- **Category:** EGL Miscellaneous
- **Event Code:** 0x3A, **Max. Inc/Cyc:** 1,
- **Definition:** IV spoof assertion edge

**SPOOF\_CRD\_EMPTY**

- **Title:** Spoof Credit Counter Empty
- **Category:** EGL Miscellaneous
- **Event Code:** 0x35, **Max. Inc/Cyc:** 1,
- **Definition:** Spoof credit counter is empty

**SPOOF\_DEASSERT**

- **Title:** IV Spoof De-assertion Edge
- **Category:** EGL Miscellaneous
- **Event Code:** 0x3B, **Max. Inc/Cyc:** 1,
- **Definition:** IV spoof de-assertion edge

**STARVED\_EGRESS**

- **Title:** Egress Queue Starved
- **Category:** Local - EGR
- **Event Code:** 0x0B, **Max. Inc/Cyc:** 8,
- **Definition:** Number of cycles that an Egress Queue is in starvation

Extension	umask [15:8]	Description
---	b00000000	(*nothing will be counted*)
P2C_AD_SB	b00000001	Processor-to-C-Box AD Egress that injects in the direction toward the nearest S-Box
C2S_AD_SB	b00000010	C-Box-to-S-Box AD Egress.
AD_SB	b00000011	Sum of AD Egresses that injects in the direction toward the nearest S-Box
AD_NSB	b00000100	Sum across both AD Egress that inject in the direction away from the nearest S-Box.
AD	b00000111	Sum across all AD Egresses
AK_SB	b00001000	AK Egress that injects in the direction toward the nearest S-Box.
AK_NSB	b00010000	AK Egress that injects in the direction away from the nearest S-Box.
AK	b00011000	Sum across all AK Egresses.
BL_SB	b00100000	BL Egress that injects in the direction toward the nearest S-Box.
BL_NSB	b01000000	BL Egress that injects in the direction away from the nearest S-Box.
BL	b01100000	Sum across all BL Egresses.
IV	b10000000	IV Egress

**TRANS\_IPQ**

- **Title:** IPQ Transactions
- **Category:** Queue Occupancy
- **Event Code:** 0x1B, **Max. Inc/Cyc:** 1,
- **Definition:** Number of Intel QPI snoop probes that entered the LLC's Ingress Probe Queue.

**TRANS\_IRQ**

- **Title:** IRQ Transactions
- **Category:** Queue Occupancy
- **Event Code:** 0x19, **Max. Inc/Cyc:** 1,
- **Definition:** Number of processor RD and/or WR requests to the LLC that entered the Ingress Response Queue.

**TRANS\_MAF**

- **Title:** MAF Transactions
- **Category:** Queue Occupancy
- **Event Code:** 0x1F, **Max. Inc/Cyc:** 1,
- **Definition:** Number of transactions to allocate entries in LLC's Miss Address File.

## TRANS\_RSPF

- **Title:** RSPF Transactions
- **Category:** Queue Occupancy
- **Event Code:** 0x23, **Max. Inc/Cyc:** 1,
- **Definition:** Number of snoop responses from the processor that passed through the Snoop Response FIFO. The RSPF is a buffer that sits between each processor and the ring that buffers the processor's snoop responses in the event that there is back pressure due to ring congestion.

## TRANS\_RWRF

- **Title:** RWRF Transactions
- **Category:** Queue Occupancy
- **Event Code:** 0x21, **Max. Inc/Cyc:** 1,
- **Definition:** Number of requests that passed through the Read/Write Request FIFO. The RWRF is a buffer that sits between each processor and the ring that buffers the processor's RD/WR requests in the event that there is back pressure due to ring congestion.

## TRANS\_VIQ

- **Title:** VIQ Transactions
- **Category:** Queue Occupancy
- **Event Code:** 0x1D, **Max. Inc/Cyc:** 1,
- **Definition:** Number of LLC victims to enter the Victim Ingress Queue. All LLC victims pass through this queue. Including those that end up not requiring a WB.

## 2.4 B-Box Performance Monitoring

### 2.4.1 Overview of the B-Box

The B-Box is responsible for the protocol side of memory interactions, including coherent and non-coherent home agent protocols (as defined in the *Intel® QuickPath Interconnect Specification*). Additionally, the B-Box is responsible for ordering memory reads/writes to a given address such that the M-Box does not have to perform this conflict checking. All requests for memory attached to the coupled M-Box must first be ordered through the B-Box.

The B-Box has additional requirements on managing interactions with the M-Box, including RAS flows. All requests in-flight in the M-Box are tracked in the B-Box. The primary function of the B-Box, is as the coherent home agent for the Intel® QuickPath Interconnect cache coherence protocol. The home agent algorithm requires the B-Box to track outstanding requests, log snoop responses and other control messages, and make certain algorithmic decisions about how to respond to requests.

The B-Box only supports source snoopy Intel QuickPath Interconnect protocol flows.

### 2.4.2 B-Box Performance Monitoring Overview

Each of the two B-Boxes in the Intel® Xeon® Processor E7 Family supports event monitoring through four 48-bit wide counters (BBx\_CR\_B\_MSR\_PERF\_CNT{3:0}). Each of these four counters is dedicated to observe a specific set of events as specified in its control register (BBx\_CR\_B\_MSR\_PERF\_CTL{3:0}). The B-Box counters will increment by a maximum of 1 per cycle.

For information on how to setup a monitoring session, refer to [Section 2.1, "Global Performance Monitoring Control Counter Overflow"](#).

### 2.4.2.1 B-Box PMU - On Overflow and the Consequences (PMI/Freeze)

If an overflow is detected from a B-Box performance counter, the overflow bit is set at the box level (B\_MSR\_PMON\_GLOBAL\_STATUS.ov), and forwarded up the chain towards the U-Box. If a B-Box0 counter overflows, a notification is sent and stored in S-Box0 (S\_MSR\_PMON\_SUMMARY.ov\_mb) which, in turn, sends the overflow notification up to the U-Box (U\_MSR\_PMON\_GLOBAL\_STATUS.ov\_s0). If a B-Box1 counter overflows, the overflow bit is set on the S-Box1 side of the hierarchy.

HW can be also configured (by setting the corresponding *.pmi\_en* to 1) to send a PMI to the U-Box when an overflow is detected. The U-Box may be configured to freeze all uncore counting and/or send a PMI to selected cores when it receives this signal.

Once a freeze has occurred, in order to see a new freeze, the overflow field responsible for the freeze, found in B\_MSR\_PMON\_GLOBAL\_OVF\_CTL.clr\_ov, must be cleared. Assuming all the counters have been locally enabled (*.en* bit in data registers meant to monitor events) and the overflow bit(s) has been cleared, the B-Box is prepared for a new sample interval. Once the global controls have been re-enabled (Section 2.1.5, “Enabling a New Sample Interval from Frozen Counters”) counting will resume.

### 2.4.3 B-BOX Performance Monitors

**Table 2-16. B-Box Performance Monitoring MSRs**

MSR Name	Access	MSR Address	Size (bits)	Description
BB1_CR_B_MSR_MASK	Rw_Rw	0x0E4E	64	B-Box 1 PMON Mask Register
BB1_CR_B_MSR_MATCH	Rw_Rw	0x0E4D	64	B-Box 1 PMON Match Register
BB0_CR_B_MSR_MASK	Rw_Rw	0x0E46	64	B-Box 0 PMON Mask Register
BB0_CR_B_MSR_MATCH	Rw_Rw	0x0E45	64	B-Box 0 PMON Match Register
BB1_CR_B_MSR_PERF_CNT3_REG	Rw_Rw	0x0C77	64	B-Box 1 PMON Counter 3
BB1_CR_B_MSR_PERF_CTL3_REG	Rw_Rw	0x0C76	64	B-Box 1 PMON Event Select 3
BB1_CR_B_MSR_PERF_CNT2_REG	Rw_Rw	0x0C75	64	B-Box 1 PMON Counter 2
BB1_CR_B_MSR_PERF_CTL2_REG	Rw_Rw	0x0C74	64	B-Box 1 PMON Event Select 2
BB1_CR_B_MSR_PERF_CNT1_REG	Rw_Rw	0x0C73	64	B-Box 1 PMON Counter 1
BB1_CR_B_MSR_PERF_CTL1_REG	Rw_Rw	0x0C72	64	B-Box 1 PMON Event Select 1
BB1_CR_B_MSR_PERF_CNT0_REG	Rw_Rw	0x0C71	64	B-Box 1 PMON Counter 0
BB1_CR_B_MSR_PERF_CTL0_REG	Rw_Rw	0x0C70	64	B-Box 1 PMON Event Select 0
BB1_CR_C_MSR_PMON_GLOBAL_OVF_CTL	Rw_Rw	0x0C62	32	B-Box 1 PMON Global Overflow Control
BB1_CR_B_MSR_PMON_GLOBAL_STATUS	Rw_Rw	0x0C61	32	B-Box 1 PMON Global Status
BB1_CR_B_MSR_PERF_GLOBAL_CTL	Rw_Rw	0x0C60	32	B-Box 1 PMON Global Control
BB0_CR_B_MSR_PERF_CNT3_REG	Rw_Rw	0x0C37	64	B-Box 0 PMON Counter 3
BB0_CR_B_MSR_PERF_CTL3_REG	Rw_Rw	0x0C36	64	B-Box 0 PMON Event Select 3
BB0_CR_B_MSR_PERF_CNT2_REG	Rw_Rw	0x0C35	64	B-Box 0 PMON Counter 2
BB0_CR_B_MSR_PERF_CTL2_REG	Rw_Rw	0x0C34	64	B-Box 0 PMON Event Select 2
BB0_CR_B_MSR_PERF_CNT1_REG	Rw_Rw	0x0C33	64	B-Box 0 PMON Counter 1
BB0_CR_B_MSR_PERF_CTL1_REG	Rw_Rw	0x0C32	64	B-Box 0 PMON Event Select 1
BB0_CR_B_MSR_PERF_CNT0_REG	Rw_Rw	0x0C31	64	B-Box 0 PMON Counter 0
BB0_CR_B_MSR_PERF_CTL0_REG	Rw_Rw	0x0C30	64	B-Box 0 PMON Event Select 0

MSR Name	Access	MSR Address	Size (bits)	Description
BBO_CR_C_MSR_PMON_GLOBAL_OVF_CTL	RW_RW	0x0C22	32	B-Box 0 PMON Global Overflow Control
BBO_CR_B_MSR_PMON_GLOBAL_STATUS	RW_RW	0x0C21	32	B-Box 0 PMON Global Status
BBO_CR_B_MSR_PERF_GLOBAL_CTL	RW_RW	0x0C20	32	B-Box 0 PMON Global Control

### 2.4.3.1 B-Box Box Level PMON state

The following registers represent the state governing all box-level PMUs in the B-Box.

The `_GLOBAL_CTL` register contains the bits used to enable monitoring. It is necessary to set the `.ctr_en` bit to 1 before the corresponding data register can collect events.

If an overflow is detected from one of the B-Box PMON registers, the corresponding bit in the `_GLOBAL_STATUS.ov` field will be set. To reset the overflow bits set in the `_GLOBAL_STATUS.ov` field, a user must set the corresponding bits in the `_GLOBAL_OVF_CTL.clr_ov` field before beginning a new sample interval.

**Table 2-17. B\_MSR\_PMON\_GLOBAL\_CTL Register – Field Definitions**

Field	Bits	Hw Reset Value	Description
<code>ctr_en</code>	3:0	0	Must be set to enable each B-Box counter (bit 0 to enable <code>ctr0</code> , etc) NOTE: U-Box enable and per counter enable must also be set to fully enable the counter.

**Table 2-18. B\_MSR\_PMON\_GLOBAL\_STATUS Register – Field Definitions**

Field	Bits	Hw Reset Value	Description
<code>ov</code>	3:0	0	If an overflow is detected from the corresponding B-Box PMON register, it's overflow bit will be set. NOTE: This bit is also cleared by setting the corresponding bit in <code>B_MSR_PMON_GLOBAL_OVF_CTL</code>

**Table 2-19. B\_MSR\_PMON\_GLOBAL\_OVF\_CTL Register – Field Definitions**

Field	Bits	Hw Reset Value	Description
<code>clr_ov</code>	3:0	0	Write '1' to reset the corresponding <code>B_MSR_PMON_GLOBAL_STATUS</code> overflow bit.

### 2.4.3.2 B-Box PMON state - Counter/Control Pairs + Filters

The following table defines the layout of the B-Box performance monitor control registers. The main task of these configuration registers is to select the event to be monitored by their respective data counter. Setting the `.ev_sel` field performs the event selection. The `.en` bit which must be set to 1 to enable counting.

Additional control bits include:

- `.pmi_en` governs what to do if an overflow is detected.

NOTE: In the B-Box, each control register can only select from a specific set of events (see [Table 2-24, "Performance Monitor Events for B-Box Events"](#) for the mapping).

**Table 2-20. B\_MSR\_PMON\_EVT\_SEL{3-0} Register – Field Definitions**

Field	Bits	HW Reset Value	Description
ig	63	0	Read zero; writes ignored.
rsv	62:61	0	Reserved; Must write to 0 else behavior is undefined.
ig	60:51	0	Read zero; writes ignored.
rsv	50	0	Reserved; Must write to 0 else behavior is undefined.
ig	49:21	0	Read zero; writes ignored.
pmi_en	20	0	When this bit is asserted and the corresponding counter overflows, a PMI exception is sent to the U-Box.
ig	19:6	0	Read zero; writes ignored.
ev_sel	5:1	0	Select event to be counted. NOTE: Event selects are NOT symmetric, each counter's event set is different. See event section and following tables for more details.
en	0	0	Local Counter Enable. When set, the associated counter is locally enabled. NOTE: It must also be enabled in B_MSR_PMON_GLOBAL_CTL and the U-Box to be fully enabled.

The B-Box performance monitor data registers are 48b wide. A counter overflow occurs when a carry out bit from bit 47 is detected. Software can force all uncore counting to freeze after N events by preloading a monitor with a count value of  $(2^{48} - 1) - N$  and setting the control register to send a PMI to the U-Box. Upon receipt of the PMI, the U-Box will disable counting ( [Section 2.1.1, "Freezing on Counter Overflow"](#)). During the interval of time between overflow and global disable, the counter value will wrap and continue to collect events.

In this way, software can capture the precise number of events that occurred between the time uncore counting was enabled and when it was disabled (or 'frozen') with minimal skew.

If accessible, software can continuously read the data registers without disabling event collection.

**Table 2-21. B\_MSR\_PMON\_CNT{3-0} Register – Field Definitions**

Field	Bits	HW Reset Value	Description
event_count	47:0	0	48-bit performance event counter



In addition to generic event counting, each B-Box provides a MATCH/MASK register pair that allow a user to filter packet traffic (incoming and outgoing) according to the packet Opcode, Message Class and Physical Address. Various events can be programmed to enable a B-Box performance counter (i.e. OPPOSITE\_ADDR\_IN\_MATCH for counter 0) to capture the filter match as an event. The fields are laid out as follows:

Note: Refer to [Table 2-102, “Intel® QuickPath Interconnect Packet Message Classes”](#) and [Table 2-103, “Opcode Match by Message Class”](#) to determine the encodings of the B-Box Match Register fields.

**Table 2-22. B\_MSR\_MATCH\_REG Register – Field Definitions**

Field	Bits	HW Reset Value	Description
opc_out	59:56	0	Match to this outgoing opcode
opc_in	55:52	0	Match to this incoming opcode
msg_out	51:48	0	Match to this outgoing message class Message Class  b0000 HOM - Requests b0001 HOM - Responses b0010 NDR b0011 SNP b0100 NCS --- b1100 NCB --- b1110 DRS
msg_in	47:44	0	Match to this incoming message class
addr	43:0	0	Match to this System Address - cache aligned address 49:6

**Table 2-23. B\_MSR\_MASK\_REG Register – Field Definitions**

Field	Bits	HW Reset Value	Description
opc_out	59:56	0	Mask for outgoing opcode
opc_in	55:52	0	Mask for incoming opcode
msg_out	51:48	0	Mask for outgoing message class
msg_in	47:44	0	Mask for incoming message class
addr	43:0	0	Mask this System Address - cache aligned address 49:6

## 2.4.4 B-Box Performance Monitoring Events

B-box PMUs allow users to monitor a number of latency related events. Traditionally, latency related events have been calculated by measuring the number of live transactions per cycle and accumulating this value in one of the PMU counters. The B-box offers a different approach. A number of occupancy

counters are dedicated to track live entries in different queues and structures. Rather than directly accumulate the occupancy values in the PMU counters, they are fed to a number of accumulators. Overflow of these accumulator values are then fed into the main PMU counters.

#### 2.4.4.1 On the ARBQ:

The **ARBQ** (arbitration queue), used to store requests that are waiting for completion or arbitrating for resources, logically houses several smaller queues.

- **COHQ/1** (Coherence Queues) 256-entry - read request is pushed onto COHQ when it is in the 'ready' state (e.g. a read request that has received all of its snoop responses and is waiting for the M-Box ACK). All snoop responses received or RspFwd\* or RspWb\* will result in pushing that transaction onto the COHQ.
- **NDROQ** (NDR Output Queue) 256-entry - request is pushed when an NDR message has to be sent but is blocked due to lack of credits or the output port is busy.
- **SNPOQ** (SNP Output Queue) 256-entry - request is pushed when a snoop message has to be sent but is blocked due to lack of credits or the output port is busy.
- **DRSOQ** (DRS Output Queue) 32-entry - request is pushed when a DRS message has to be sent but is blocked due to lack of credits or the output port is busy.
- **MAQ** (M-Box Arbitration Queue) 32-entry - Request is pushed when it asks for M-Box access and the M-Box backpressures the B-Box (e.g. a link error flow in M-Box).
- **MDRSOQ** (Mirror DRS Output Queue) 32-entry - Request is pushed onto Mirror DRS output queue when a NonSnPWrData(Ptl) needs to be sent to the mirror slave and VN1 DRS channel or Intel QPI output resources are unavailable.
- **MHOMOQ** (Mirror HOM Output Queue) 256-entry - Request is pushed onto Mirror Home output queue when a Home message needs to be sent out from mirror master to mirror slave (NonSnPWr/RdCode/RdInvOwn) but is blocked due to a lack of credits (VN1 HOM) or the output port is busy.

#### 2.4.4.2 On the Major B-Box Structures:

The 32-entry **IMT** (In Memory Table) Tracks and serializes in-flight reads and writes to the M-Box. The IMT ensures that there is only one pending request to a given system address. (NOTE: tracks all outstanding memory transactions that have already been sent to the M-Box.)

IMT average occupancy == (valid cnt \* 32 / cycles)

IMT average latency == (valid cnt \* 32 / IMT inserts)

The 256-entry **TF** (Tracker File) holds all transactions that arrive in the B-Box from the time they arrive until they are completed and leave the B-Box. Transactions could stay in this structure much longer than they are needed. IMT is the critical resource each transaction needs before being sent to the M-Box (memory controller)

TF average occupancy == (valid cnt \* 256 / cycles)

TF average latency == (valid cnt \* 256 / IMT inserts)

NOTE: The latency is only valid under 'normal' circumstances in which a request generates a memory prefetch. It will not hold true if the IMT is full and a prefetch isn't generated.

#### 2.4.4.3 On InvItoE Transactions:

TF and IMT entries are broken into four categories: **writes** and **InvItoE** transactions (reads may be inferred by subtracting write and InvItoE transactions from all transactions) that do/do not come from **IOH** agents within the system. While reads and writes should be self-explanatory, InvItoE's may not be.

- **InvItOE** - returns ownership of line to requestor (in E-state) without returning data. The Home Agent sees it as an RFO and the memory controller sees it as memory read. The B-Box has to do more with it than it does for regular reads. It must make sure that not only the data gets forwarded to the requestor, but that it grants ownership to requestor. Depending on where the InvItOE request originates from, the HA takes different actions - if triggered by directory agent then HA/B-Box has to generate snoop invalidations to other caches/directories.

## 2.4.5 B-Box Events Ordered By Code

Table 2-24 summarizes the directly-measured B-Box events.

**Table 2-24. Performance Monitor Events for B-Box Events**

Symbol Name	Event Code	Max Inc/ Cyc	Description
<b>Counter 0 Events</b>			
MSG_ADDR_IN_MATCH	0x01	1	Message + Address In Match
OPCODE_ADDR_IN_MATCH	0x02	1	Message + Opcode + Address In Match
MSG_OPCODE_ADDR_IN_MATCH	0x03	1	Opcode + Address In Match
TF_OCCUPANCY_ALL	0x04	1	TF Occupancy - All
TF_OCCUPANCY_WR	0x05	1	TF Occupancy - Writes
TF_OCCUPANCY_INVITOE	0x06	1	TF Occupancy - InvItOE
IMT_VALID_OCCUPANCY	0x07	1	IMT Valid Occupancy
DRSQ_OCCUPANCY	0x09	1	DRSQ Occupancy
TF_OCCUPANCY_IOH	0x0B	1	TF Occupancy - All IOH
TF_OCCUPANCY_IOH_WR	0x0D	1	TF Occupancy - IOH Writes
TF_OCCUPANCY_IOH_INVITOE	0x0F	1	TF Occupancy - IOH InvItOE
SNPOQ_OCCUPANCY	0x12	1	SNPOQ Occupancy
DIRQ_OCCUPANCY	0x17	1	DIRQ Occupancy
TF_OCCUPANCY_IOH_NON_INVITOE_RD	0x1C	1	TF Occupancy - IOH Non-InvItOE Reads
<b>Counter 1 Events</b>			
MSG_IN_MATCH	0x01	1	Message In Match
MSG_OUT_MATCH	0x02	1	Message Out Match
OPCODE_IN_MATCH	0x03	1	Opcode In Match
OPCODE_OUT_MATCH	0x04	1	Opcode Out Match
MSG_OPCODE_IN_MATCH	0x05	1	Message + Opcode In Match
MSG_OPCODE_OUT_MATCH	0x06	1	Message + Opcode Out Match
IMT_INSERTS_ALL	0x07	1	IMT All Inserts
DRSQ_INSERTS	0x09	1	DRSQ Inserts
IMT_INSERTS_IOH	0x0A	1	IMT IOH Inserts
IMT_INSERTS_NON_IOH	0x0B	1	IMT Non-IOH Inserts
IMT_INSERTS_WR	0x0C	1	IMT Write Inserts
IMT_INSERTS_IOH_WR	0x0D	1	IMT IOH Write Inserts
IMT_INSERTS_NON_IOH_WR	0x0E	1	IMT Non-IOH Write Inserts

**Table 2-24. Performance Monitor Events for B-Box Events**

Symbol Name	Event Code	Max Inc/ Cyc	Description
IMT_INSERTS_INVITOE	0x0F	1	IMT Invltoe Inserts
IMT_INSERTS_IOH_INVITOE	0x10	1	IMT IOH InvltOE Inserts
SNPOQ_INSERTS	0x12	1	SNPOQ Inserts
DIRQ_INSERTS	0x17	1	DIRQ Inserts
IMT_INSERTS_NON_IOH_INVITOE	0x1C	1	IMT Non-IOH InvltOE Inserts
IMT_INSERTS_RD	0x1D	1	IMT Read Inserts
IMT_INSERTS_NON_IOH_RD	0x1F	1	IMT Non-IOH Read Inserts
<b>Counter 2 Events</b>			
MSGS_IN_NON_SNOOP	0x01	1	Incoming Non-Snoop Messages
MSGS_S_TO_B	0x02	1	SB Link (S to B) Messages
MSGS_B_TO_S	0x03	1	SB Link (B to S) Messages
ADDR_IN_MATCH	0x04	1	Address In Match
IMT_NE_CYCLES	0x07	1	IMT Non-Empty Cycles
<b>Counter 3 Events</b>			
EARLY_ACK	0x02	1	Early ACK
IMT_PREALLOC	0x06	1	IMT Prealloc
DEMAND_FETCH	0x0F	1	Demand Fetches
IMPLICIT_WBS	0x12	1	Implicit WBS
COHQ_IMT_ALLOC_WAIT	0x13	1	COHQ IMT Allocation Wait
SBOX_VNO_UNAVAIL	0x14	1	S-Box VNO Unavailable
RBOX_VNA_UNAVAIL	0x15	1	R-Box VNA Unavailable
IMT_FULL	0x16	1	IMT Full
CONFLICTS	0x17	1	Conflicts
ACK_BEFORE_LAST_SNP	0x19	1	Ack Before Last Snoop

## 2.4.6 B-Box Performance Monitor Event List

This section enumerates Intel® Xeon® Processor E7 Family uncore performance monitoring events for the B-Box.

### ACK\_BEFORE\_LAST\_SNP

- **Title:** Ack Before Last Snoop
- **Category:** Snoops
- **Event Code:** 0x19, **Max. Inc/Cyc:** 1, **PERF\_CTL:** 3,
- **Definition:** Number of times M-Box acknowledge arrives before the last snoop response. For transactions issued to the memory controller (M-Box) as prefetches.

### ADDR\_IN\_MATCH

- **Title:** Address In Match
- **Category:** Mask/Match
- **Event Code:** 0x04, **Max. Inc/Cyc:** 1, **PERF\_CTL:** 2,
- **Definition:** Address Match at B-Box Input. Use B\_MSR\_MATCH/MASK\_REG

## CONFLICTS

- **Title:** Conflicts
- **Category:** Miscellaneous
- **Event Code:** 0x17, **Max. Inc/Cyc:** 1, **PERF\_CTL:** 3,
- **Definition:** Number of conflicts.

## COHQ\_BYPASS

- **Title:** COHQ Bypass
- **Category:** ARB Queues
- **Event Code:** 0x0E, **Max. Inc/Cyc:** 1, **PERF\_CTL:** 3,
- **Definition:** Coherence Queue Bypasses.

## COHQ\_IMT\_ALLOC\_WAIT

- **Title:** COHQ IMT Allocation Wait
- **Category:** ARB Queues
- **Event Code:** 0x13, **Max. Inc/Cyc:** 1, **PERF\_CTL:** 3,
- **Definition:** Cycles Coherence Queue Waiting on IMT Allocation.

## DIRQ\_INSERTS

- **Title:** DIRQ Inserts
- **Category:** ARB Queues
- **Event Code:** 0x17, **Max. Inc/Cyc:** 1, **PERF\_CTL:** 1,
- **Definition:** Directory Queue Inserts. Queue Depth is 256.

## DIRQ\_OCCUPANCY

- **Title:** DIRQ Occupancy
- **Category:** ARB Queues
- **Event Code:** 0x17, **Max. Inc/Cyc:** 1, **PERF\_CTL:** 0,
- **Definition:** Directory Queue Occupancy. Queue Depth is 256.

## DEMAND\_FETCH

- **Title:** Demand Fetches
- **Category:** Miscellaneous
- **Event Code:** 0x0F, **Max. Inc/Cyc:** 1, **PERF\_CTL:** 3,
- **Definition:** Counts number of times a memory access was issued after CohQ pop (i.e. IMT prefetch was not used).

## DRSQ\_INSERTS

- **Title:** DRSQ Inserts
- **Category:** ARB Queues
- **Event Code:** 0x09, **Max. Inc/Cyc:** 1, **PERF\_CTL:** 1,
- **Definition:** DRSQ Inserts.

## DRSQ\_OCCUPANCY

- **Title:** DRSQ Occupancy
- **Category:** ARB Queues
- **Event Code:** 0x09, **Max. Inc/Cyc:** 1, **PERF\_CTL:** 0,
- **Definition:** DRSQ Occupancy. Queue Depth is 4.

## EARLY\_ACK

- **Title:** Early ACK
- **Category:** Miscellaneous
- **Event Code:** 0x02, **Max. Inc/Cyc:** 1, **PERF\_CTL:** 3,
- **Definition:** M-Box Early Acknowledgements.

## IMPLICIT\_WBS

- **Title:** Implicit WBS
- **Category:** Miscellaneous
- **Event Code:** 0x12, **Max. Inc/Cyc:** 1, **PERF\_CTL:** 3,
- **Definition:** Number of Implicit Writebacks.

## IMT\_FULL

- **Title:** IMT Full
- **Category:** In-Flight Memory Table
- **Event Code:** 0x16, **Max. Inc/Cyc:** 1, **PERF\_CTL:** 3,
- **Definition:** Number of times In-Flight Memory Table was full when entry was needed by incoming transaction.

## IMT\_INSERTS\_ALL

- **Title:** IMT All Inserts
- **Category:** In-Flight Memory Table
- **Event Code:** 0x07, **Max. Inc/Cyc:** 1, **PERF\_CTL:** 1,
- **Definition:** Inserts (all requests) to In-Flight Memory Table (e.g. all memory transactions targeting this B-Box as their home node and processed by this B-Box)
- **NOTE:** Conflicts and AckConflicts are considered IMT insert events. If the conflict rate ( $\text{CONFLICTS} / \text{IMT\_INSERTS\_ALL} * 100$ ) is  $> \sim 5\%$ , it is not recommended that this event (along with `IMT_VALID_OCCUPANCY`) be used to derive average IMT latency or latency for specific flavors of inserts.

## IMT\_INSERTS\_INVITOE

- **Title:** IMT InvItoE Inserts
- **Category:** In-Flight Memory Table
- **Event Code:** 0x0F, **Max. Inc/Cyc:** 1, **PERF\_CTL:** 1,
- **Definition:** In-Flight Memory Table inserts of InvItoE requests (e.g. all InvItoE memory transactions targeting this B-Box as their home node and processed by this B-Box)
- **NOTE:** Conflicts and AckConflicts are considered IMT insert events. If the conflict rate ( $\text{CONFLICTS} / \text{IMT\_INSERTS\_ALL} * 100$ ) is  $> \sim 5\%$ , it is not recommended that this event (along with `IMT_VALID_OCCUPANCY`) be used to derive average IMT latency or latency for specific flavors of inserts.

## IMT\_INSERTS\_IOH

- **Title:** IMT IOH Inserts
- **Category:** In-Flight Memory Table
- **Event Code:** 0x0A, **Max. Inc/Cyc:** 1, **PERF\_CTL:** 1,
- **Definition:** In-Flight Memory Table inserts of IOH requests (e.g. all IOH triggered memory transactions targeting this B-Box as their home node and processed by this B-Box)
- **NOTE:** Conflicts and AckConflicts are considered IMT insert events. If the conflict rate ( $\text{CONFLICTS} / \text{IMT\_INSERTS\_ALL} * 100$ ) is  $> \sim 5\%$ , it is not recommended that this event (along with `IMT_VALID_OCCUPANCY`) be used to derive average IMT latency or latency for specific flavors of inserts.

### IMT\_INSERTS\_IOH\_INVITOE

- **Title:** IMT IOH InvItoE Inserts
- **Category:** In-Flight Memory Table
- **Event Code:** 0x10, **Max. Inc/Cyc:** 1, **PERF\_CTL:** 1,
- **Definition:** In-Flight Memory Table inserts of IOH InvItoE requests (e.g. all IOH triggered InvItoE memory transactions targeting this B-Box as their home node and processed by this B-Box)
- **NOTE:** Conflicts and AckConflicts are considered IMT insert events. If the conflict rate ( $\text{CONFLICTS}/\text{IMT\_INSERTS\_ALL} * 100$ ) is  $> \sim 5\%$ , it is not recommended that this event (along with  $\text{IMT\_VALID\_OCCUPANCY}$ ) be used to derive average IMT latency or latency for specific flavors of inserts.

### IMT\_INSERTS\_IOH\_WR

- **Title:** IMT IOH Write Inserts
- **Category:** In-Flight Memory Table
- **Event Code:** 0x0D, **Max. Inc/Cyc:** 1, **PERF\_CTL:** 1,
- **Definition:** In-Flight Memory Table Write IOH Request Inserts (e.g. all IOH triggered memory write transactions targeting this B-Box as their home node and processed by this B-Box)
- **NOTE:** Conflicts and AckConflicts are considered IMT insert events. If the conflict rate ( $\text{CONFLICTS}/\text{IMT\_INSERTS\_ALL} * 100$ ) is  $> \sim 5\%$ , it is not recommended that this event (along with  $\text{IMT\_VALID\_OCCUPANCY}$ ) be used to derive average IMT latency or latency for specific flavors of inserts.

### IMT\_INSERTS\_NON\_IOH

- **Title:** IMT Non-IOH Inserts
- **Category:** In-Flight Memory Table
- **Event Code:** 0x0B, **Max. Inc/Cyc:** 1, **PERF\_CTL:** 1,
- **Definition:** In-Flight Memory Table inserts of Non-IOH requests (e.g. all non IOH triggered memory transactions targeting this B-Box as their home node and processed by this B-Box)
- **NOTE:** Conflicts and AckConflicts are considered IMT insert events. If the conflict rate ( $\text{CONFLICTS}/\text{IMT\_INSERTS\_ALL} * 100$ ) is  $> \sim 5\%$ , it is not recommended that this event (along with  $\text{IMT\_VALID\_OCCUPANCY}$ ) be used to derive average IMT latency or latency for specific flavors of inserts.

### IMT\_INSERTS\_NON\_IOH\_INVITOE

- **Title:** IMT Non-IOH InvItoE Inserts
- **Category:** In-Flight Memory Table
- **Event Code:** 0x1C, **Max. Inc/Cyc:** 1, **PERF\_CTL:** 1,
- **Definition:** In-Flight Memory Table inserts of Non-IOH InvItoE requests (e.g. all non IOH triggered InvItoE memory transactions targeting this B-Box as their home node and processed by this B-Box)
- **NOTE:** Conflicts and AckConflicts are considered IMT insert events. If the conflict rate ( $\text{CONFLICTS}/\text{IMT\_INSERTS\_ALL} * 100$ ) is  $> \sim 5\%$ , it is not recommended that this event (along with  $\text{IMT\_VALID\_OCCUPANCY}$ ) be used to derive average IMT latency or latency for specific flavors of inserts.

### IMT\_INSERTS\_NON\_IOH\_RD

- **Title:** IMT Non-IOH Read Inserts
- **Category:** In-Flight Memory Table
- **Event Code:** 0x1F, **Max. Inc/Cyc:** 1, **PERF\_CTL:** 1,
- **Definition:** In-Flight Memory Table inserts of Non-IOH read requests (e.g. all non IOH triggered memory read transactions targeting this B-Box as their home node and processed by this B-Box)
- **NOTE:** Conflicts and AckConflicts are considered IMT insert events. If the conflict rate ( $\text{CONFLICTS}/\text{IMT\_INSERTS\_ALL} * 100$ ) is  $> \sim 5\%$ , it is not recommended that this event (along with  $\text{IMT\_VALID\_OCCUPANCY}$ ) be used to derive average IMT latency or latency for specific flavors of inserts.

**IMT\_INSERTS\_NON\_IOH\_WR**

- **Title:** IMT Non-IOH Write Inserts
- **Category:** In-Flight Memory Table
- **Event Code:** 0x0E, **Max. Inc/Cyc:** 1, **PERF\_CTL:** 1,
- **Definition:** In-Flight Memory Table Write Non-IOH Request Inserts (e.g. all non IOH triggered memory write transactions targeting this B-Box as their home node and processed by this B-Box)
- **NOTE:** Conflicts and AckConflicts are considered IMT insert events. If the conflict rate ( $\text{CONFLICTS} / \text{IMT\_INSERTS\_ALL} * 100$ ) is  $> \sim 5\%$ , it is not recommended that this event (along with  $\text{IMT\_VALID\_OCCUPANCY}$ ) be used to derive average IMT latency or latency for specific flavors of inserts.

**IMT\_INSERTS\_RD**

- **Title:** IMT Read Inserts
- **Category:** In-Flight Memory Table
- **Event Code:** 0x1D, **Max. Inc/Cyc:** 1, **PERF\_CTL:** 1,
- **Definition:** In-Flight Memory Table inserts of read requests (e.g. all memory read transactions targeting this B-Box as their home node and processed by this B-Box)
- **NOTE:** Conflicts and AckConflicts are considered IMT insert events. If the conflict rate ( $\text{CONFLICTS} / \text{IMT\_INSERTS\_ALL} * 100$ ) is  $> \sim 5\%$ , it is not recommended that this event (along with  $\text{IMT\_VALID\_OCCUPANCY}$ ) be used to derive average IMT latency or latency for specific flavors of inserts.

**IMT\_INSERTS\_WR**

- **Title:** IMT Write Inserts
- **Category:** In-Flight Memory Table
- **Event Code:** 0x0C, **Max. Inc/Cyc:** 1, **PERF\_CTL:** 1,
- **Definition:** In-Flight Memory Table Write Request Inserts (e.g. all memory write transactions targeting this B-Box as their home node and processed by this B-Box)
- **NOTE:** Conflicts and AckConflicts are considered IMT insert events. If the conflict rate ( $\text{CONFLICTS} / \text{IMT\_INSERTS\_ALL} * 100$ ) is  $> \sim 5\%$ , it is not recommended that this event (along with  $\text{IMT\_VALID\_OCCUPANCY}$ ) be used to derive average IMT latency or latency for specific flavors of inserts.

**IMT\_NE\_CYCLES**

- **Title:** IMT Non-Empty Cycles
- **Category:** In-Flight Memory Table
- **Event Code:** 0x07, **Max. Inc/Cyc:** 1, **PERF\_CTL:** 2,
- **Definition:** In-Flight Memory Table Non-Empty Cycles.

**IMT\_PREALLOC**

- **Title:** IMT Prealloc
- **Category:** In-Flight Memory Table
- **Event Code:** 0x06, **Max. Inc/Cyc:** 1, **PERF\_CTL:** 3,
- **Definition:** In-Flight Memory Table in 1 DRS preallocation mode.

**IMT\_VALID\_OCCUPANCY**

- **Title:** IMT Valid Occupancy
- **Category:** In-Flight Memory Table
- **Event Code:** 0x07, **Max. Inc/Cyc:** 1, **PERF\_CTL:** 0,
- **Definition:** In-Flight Memory Table (tracks memory transactions that have already been sent to the memory controller connected to this B-Box) valid occupancy. Indicates occupancy of the IMT.
- **NOTE:** A count of valid entries is accumulated every clock cycle in a subcounter. Since the IMT Queue Depth is 32, multiple this event by 32 to get a full count of valid IMT entries.



### MSG\_ADDR\_IN\_MATCH

- **Title:** Message + Address In Match
- **Category:** Mask/Match
- **Event Code:** 0x01, **Max. Inc/Cyc:** 1, **PERF\_CTL:** 0,
- **Definition:** Message Class and Address Match at B-Box Input. Use B\_MSR\_MATCH/MASK\_REG

### MSG\_B\_TO\_S

- **Title:** SB Link (B to S) Messages
- **Category:** S-Box Interface
- **Event Code:** 0x03, **Max. Inc/Cyc:** 1, **PERF\_CTL:** 2,
- **Definition:** Number of SB Link (B to S) Messages (multiply by 9 to get flit count).

### MSG\_IN\_MATCH

- **Title:** Message In Match
- **Category:** Mask/Match
- **Event Code:** 0x01, **Max. Inc/Cyc:** 1, **PERF\_CTL:** 1,
- **Definition:** Message Class Match at B-Box Input. Use B\_MSR\_MATCH/MASK\_REG

### MSG\_IN\_NON\_SNP

- **Title:** Incoming Non-Snoop Messages
- **Category:** Snoops
- **Event Code:** 0x01, **Max. Inc/Cyc:** 1, **PERF\_CTL:** 2,
- **Definition:** Incoming Non-Snoop Messages.

### MSG\_OPCODE\_ADDR\_IN\_MATCH

- **Title:** Message + Opcode + Address In Match
- **Category:** Mask/Match
- **Event Code:** 0x03, **Max. Inc/Cyc:** 1, **PERF\_CTL:** 0,
- **Definition:** Message Class, Opcode and Address Match at B-Box Input. Use B\_MSR\_MATCH/MASK\_REG

### MSG\_OPCODE\_IN\_MATCH

- **Title:** Message + Opcode In Match
- **Category:** Mask/Match
- **Event Code:** 0x05, **Max. Inc/Cyc:** 1, **PERF\_CTL:** 1,
- **Definition:** Message Class and Opcode Match at B-Box Input. Use B\_MSR\_MATCH/MASK\_REG

### MSG\_OPCODE\_OUT\_MATCH

- **Title:** Message + Opcode Out Match
- **Category:** Mask/Match
- **Event Code:** 0x06, **Max. Inc/Cyc:** 1, **PERF\_CTL:** 1,
- **Definition:** Message Class and Opcode Match at B-Box Output. Use B\_MSR\_MATCH/MASK\_REG

### MSG\_OUT\_MATCH

- **Title:** Message Out Match
- **Category:** Mask/Match
- **Event Code:** 0x02, **Max. Inc/Cyc:** 1, **PERF\_CTL:** 1,
- **Definition:** Message Class Match at B-Box Output. Use B\_MSR\_MATCH/MASK\_REG

**MSG\_S\_TO\_B**

- **Title:** SB Link (S to B) Messages
- **Category:** S-Box Interface
- **Event Code:** 0x02, **Max. Inc/Cyc:** 1, **PERF\_CTL:** 2,
- **Definition:** Number of SB Link (S to B) Messages.

**OPCODE\_ADDR\_IN\_MATCH**

- **Title:** Opcode + Address In Match
- **Category:** Mask/Match
- **Event Code:** 0x02, **Max. Inc/Cyc:** 1, **PERF\_CTL:** 0,
- **Definition:** Opcode and Address Match at B-Box Input. Use B\_MSR\_MATCH/MASK\_REG

**OPCODE\_IN\_MATCH**

- **Title:** Opcode In Match
- **Category:** Mask/Match
- **Event Code:** 0x03, **Max. Inc/Cyc:** 1, **PERF\_CTL:** 1,
- **Definition:** Opcode Match at B-Box Input. Use B\_MSR\_MATCH/MASK\_REG

**OPCODE\_OUT\_MATCH**

- **Title:** Opcode Out Match
- **Category:** Mask/Match
- **Event Code:** 0x04, **Max. Inc/Cyc:** 1, **PERF\_CTL:** 1,
- **Definition:** Opcode Match at B-Box Output. Use B\_MSR\_MATCH/MASK\_REG

**RBOX\_VNA\_UNAVAIL**

- **Title:** R-Box VNA Unavailable
- **Category:** R-Box Interface
- **Event Code:** 0x15, **Max. Inc/Cyc:** 1, **PERF\_CTL:** 3,
- **Definition:** Number of times R-Box VNA credit was not available when needed.

**SBOX\_VN0\_UNAVAIL**

- **Title:** S-Box VN0 Unavailable
- **Category:** S-Box Interface
- **Event Code:** 0x14, **Max. Inc/Cyc:** 1, **PERF\_CTL:** 3,
- **Definition:** Number of times S-Box VN0 credit was not available when needed.

**SNPOQ\_INSERTS**

- **Title:** SNPOQ Inserts
- **Category:** ARB Queues
- **Event Code:** 0x12, **Max. Inc/Cyc:** 1, **PERF\_CTL:** 1,
- **Definition:** SNP Output Queue Inserts. Queue Depth is 256.

**SNPOQ\_OCCUPANCY**

- **Title:** SNPOQ Occupancy
- **Category:** ARB Queues
- **Event Code:** 0x12, **Max. Inc/Cyc:** 1, **PERF\_CTL:** 0,
- **Definition:** SNP Output Queue Occupancy. Queue Depth is 256.

## TF\_ALL

- **Title:** TF Occupancy - All
- **Category:** Tracker File
- **Event Code:** 0x04, **Max. Inc/Cyc:** 1, **PERF\_CTL:** 0,
- **Definition:** Tracker File occupancy for all requests. Accumulates lifetimes of all memory transactions that have arrived in this B-Box (TF starts tracking transactions before they are sent to the M-Box).
- **NOTE:** This event captures overflows from a subcounter tracking all requests. Multiply by 256 to determine the correct count.

## TF\_INVITOE

- **Title:** TF Occupancy - InvItoEs
- **Category:** Tracker File
- **Event Code:** 0x06, **Max. Inc/Cyc:** 1, **PERF\_CTL:** 0,
- **Definition:** Tracker File occupancy for InvItoE requests. Accumulates lifetimes of InvItoE memory transactions that have arrived in this B-Box (TF starts tracking transactions before they are sent to the M-Box).
- **NOTE:** This event captures overflows from a subcounter tracking all requests. Multiply by 256 to determine the correct count.

## TF\_IOH

- **Title:** TF Occupancy - All IOH
- **Category:** Tracker File
- **Event Code:** 0x0B, **Max. Inc/Cyc:** 1, **PERF\_CTL:** 0,
- **Definition:** Tracker File occupancy for IOH requests. Accumulates lifetimes of IOH triggered memory transactions that have arrived in this B-Box (TF starts tracking transactions before they are sent to the M-Box).
- **NOTE:** This event captures overflows from a subcounter tracking all requests. Multiply by 256 to determine the correct count.

## TF\_IOH\_INVITOE

- **Title:** TF Occupancy - IOH InvItoEs
- **Category:** Tracker File
- **Event Code:** 0x0F, **Max. Inc/Cyc:** 1, **PERF\_CTL:** 0,
- **Definition:** Tracker File occupancy for IOH InvItoE requests. Accumulates lifetimes of IOH triggered InvItoE memory transactions that have arrived in this B-Box (TF starts tracking transactions before they are sent to the M-Box).
- **NOTE:** This event captures overflows from a subcounter tracking all requests. Multiply by 256 to determine the correct count.

## TF\_IOH\_NON\_INVITOE\_RD

- **Title:** TF Occupancy - IOH Non-InvItoE Reads
- **Category:** Tracker File
- **Event Code:** 0x1C, **Max. Inc/Cyc:** 1, **PERF\_CTL:** 0,
- **Definition:** Tracker File occupancy for IOH Non-InvItoE read requests. Accumulates lifetimes of IOH triggered non-InvItoE memory transactions that have arrived in this B-Box (TF starts tracking transactions before they are sent to the M-Box).
- **NOTE:** This event captures overflows from a subcounter tracking all requests. Multiply by 256 to determine the correct count.

## TF\_IOH\_WR

- **Title:** TF Occupancy - IOH Writes
- **Category:** Tracker File
- **Event Code:** 0x0D, **Max. Inc/Cyc:** 1, **PERF\_CTL:** 0,
- **Definition:** Tracker File occupancy for IOH write requests. Accumulates lifetimes of IOH triggered write transactions that have arrived in this B-Box (TF starts tracking transactions before they are sent to the M-Box).
- **NOTE:** This event captures overflows from a subcounter tracking all requests. Multiply by 256 to determine the correct count.

## TF\_WR

- **Title:** TF Occupancy - Writes
- **Category:** Tracker File
- **Event Code:** 0x05, **Max. Inc/Cyc:** 1, **PERF\_CTL:** 0,
- **Definition:** Tracker File occupancy for write requests. Accumulates lifetimes of write memory transactions that have arrived in this B-Box (TF starts tracking transactions before they are sent to the M-Box).
- **NOTE:** This event captures overflows from a subcounter tracking all requests. Multiply by 256 to determine the correct count.

## 2.5 S-Box Performance Monitoring

### 2.5.1 Overview of the S-Box

The S-Box represents the interface between the last level cache and the system interface. It manages flow control between the C and R & B-Boxes. The S-Box is broken into system bound (ring to Intel QPI) and ring bound (Intel QPI to ring) connections.

As such, it shares responsibility with the C-Box(es) as the Intel QPI caching agent(s). It is responsible for converting C-box requests to Intel QPI messages (i.e. snoop generation and data response messages from the snoop response) as well as converting/forwarding ring messages to Intel QPI packets and vice versa.

### 2.5.2 S-Box Performance Monitoring Overview

Each S-Box in the Intel® Xeon® Processor E7 Family supports event monitoring through 4 48b wide counters (S\_MSR\_PMON\_CTR/CTL{3:0}). Each of these four counters can be programmed to count any S-Box event. the S-Box counters can increment by a maximum of 64 per cycle.

The S-Box also includes a mask/match register that allows a user to match packets leaving the S-Box according to various standard packet fields such as message class, opcode, etc. (NOTE: specifically goes with event 0, does not effect other events)

For information on how to setup a monitoring session, refer to [Section 2.1, "Global Performance Monitoring Control Counter Overflow"](#).

#### 2.5.2.1 S-Box PMU - Overflow, Freeze and Unfreeze

If an overflow is detected from a S-Box performance counter, the overflow bit is set at the box level (S\_MSR\_PMON\_GLOBAL\_STATUS.ov), and forwarded up the chain to the U-Box where it will be stored in U\_MSR\_PMON\_GLOBAL\_STATUS.ov\_s0. Each S-Box collects overflow bits for all boxes on it's 'side' of the chip. Refer to [Table 2-26, "S\\_MSR\\_PMON\\_SUMMARY Register Fields"](#) to determine how these bits are accumulated before they are forwarded to the U-Box.

HW can be also configured (by setting the corresponding *.pmi\_en* to 1) to send a PMI to the U-Box when an overflow is detected. The U-Box may be configured to freeze all uncore counting and/or send a PMI to selected cores when it receives this signal.

Once a freeze has occurred, in order to see a new freeze, the overflow field responsible for the freeze, must be cleared by setting the corresponding bit in S\_MSR\_PMON\_GLOBAL\_OVF\_CTL.clr\_ov. Assuming all the counters have been locally enabled (.en bit in data registers meant to monitor events) and the overflow bit(s) has been cleared, the S-Box is prepared for a new sample interval. Once the global controls have been re-enabled (Section 2.1.5, “Enabling a New Sample Interval from Frozen Counters”), counting will resume.

Note: Due to the nature of the subcounters used in the S-Box, if a queue occupancy count event is set up to be captured, SW should set .reset\_occ\_cnt in the same write that the corresponding control register is enabled.

### 2.5.3 S-BOX Performance Monitors

**Table 2-25. S-Box Performance Monitoring MSRs**

MSR Name	Access	MSR Address	Size (bits)	Description
SS1_CR_S_MSR_MASK	RW_RO	0x0E5A	64	S-Box 1 Enable Mask Register
SS1_CR_S_MSR_MATCH	RW_RO	0x0E59	64	S-Box 1 Enable Match Register
SS1_CR_S_MSR_MM_CFG	RW_NA	0x0E58	64	S-Box 1 Enable Match/Mask Config
SS0_CR_S_MSR_MASK	RW_RO	0x0E4A	64	S-Box 1 Enable Mask Register
SS0_CR_S_MSR_MATCH	RW_RO	0x0E49	64	S-Box 1 Enable Match Register
SS0_CR_S_MSR_MM_CFG	RW_NA	0x0E48	64	S-Box 1 Enable Match/Mask Config
SR1_CR_S_MSR_PMON_CTR3	RW_RW	0x0CD7	64	S-Box 1 PMON Counter 3
SR1_CR_S_MSR_PMON_CTL3	RW_RO	0x0CD6	64	S-Box 1 PMON Control 3
SR1_CR_S_MSR_PMON_CTR2	RW_RW	0x0CD5	64	S-Box 1 PMON Counter 2
SR1_CR_S_MSR_PMON_CTL2	RW_RO	0x0CD4	64	S-Box 1 PMON Control 2
SR1_CR_S_MSR_PMON_CTR1	RW_RW	0x0CD3	64	S-Box 1 PMON Counter 1
SR1_CR_S_MSR_PMON_CTL1	RW_RO	0x0CD2	64	S-Box 1 PMON Control 1
SR1_CR_S_MSR_PMON_CTR0	RW_RW	0x0CD1	64	S-Box 1 PMON Counter 0
SR1_CR_S_MSR_PMON_CTL0	RW_RO	0x0CD0	64	S-Box 1 PMON Control 0
SR1_CR_S_MSR_PMON_SUMMARY	RO_WO	0x0CC3	32	S-Box 1 PMON Global Summary
SR1_CR_S_MSR_PMON_OVF_CTL	WO_RO	0x0CC2	32	S-Box 1 PMON Global Overflow Control
SR1_CR_S_MSR_PMON_GLOBAL_STATUS	RW_RW	0x0CC1	32	S-Box 1 PMON Global Overflow Status
SR1_CR_S_MSR_PMON_GLOBAL_CTL	RW_RO	0x0CC0	32	S-Box 1 PMON Global Control
SR0_CR_S_MSR_PMON_CTR3	RW_RW	0x0C57	64	S-Box 0 PMON Counter 3
SR0_CR_S_MSR_PMON_CTL3	RW_RO	0x0C56	64	S-Box 0 PMON Control 3
SR0_CR_S_MSR_PMON_CTR2	RW_RW	0x0C55	64	S-Box 0 PMON Counter 2
SR0_CR_S_MSR_PMON_CTL2	RW_RO	0x0C54	64	S-Box 0 PMON Control 2
SR0_CR_S_MSR_PMON_CTR1	RW_RW	0x0C53	64	S-Box 0 PMON Counter 1
SR0_CR_S_MSR_PMON_CTL1	RW_RO	0x0C52	64	S-Box 0 PMON Control 1
SR0_CR_S_MSR_PMON_CTR0	RW_RW	0x0C51	64	S-Box 0 PMON Counter 0
SR0_CR_S_MSR_PMON_CTL0	RW_RO	0x0C50	64	S-Box 0 PMON Control 0

MSR Name	Access	MSR Address	Size (bits)	Description
SRO_CR_S_MSR_PMON_SUMMARY	RO_WO	0x0C43	32	S-Box 0 PMON Global Summary
SRO_CR_S_MSR_PMON_OVF_CTL	WO_RO	0x0C42	32	S-Box 0 PMON Global Overflow Control
SRO_CR_S_MSR_PMON_GLOBAL_STATUS	RW_RW	0x0C41	32	S-Box 0 PMON Global Overflow Status
SRO_CR_S_MSR_PMON_GLOBAL_CTL	RW_RO	0x0C40	32	S-Box 0 PMON Global Control

### 2.5.3.1 S-Box PMON for Global State

The S\_MSR\_PMON\_SUMMARY in each S-Box collects overflow bits from the boxes attached to it and forwards them to the U-Box.

**Table 2-26. S\_MSR\_PMON\_SUMMARY Register Fields**

Field	Bits	HW Reset Value	Description
ig	63:21		Read zero; writes ignored.
ov_c_h	20	0	Overflow in 'hi' C Box In SBOX0, indicates overflow in C-Box 4. In SBOX1, indicates overflow in C-Box 9.
ov_r	19	0	Overflow in R Box In S-Box0, indicates overflow from Left R-Box In S-Box1, indicates overflow from Right R-Box
ov_s	18	0	Overflow in S Box
ig	17		Read zero; writes ignored.
ov_mb	16	0	Overflow in M- or B-Box
ig	15:3		Read zero; writes ignored.
ov_c_m	2	0	Overflow in 'mid' C-Boxes In SBOX0, indicates overflow in C-Box 2 or 3. In SBOX1, indicates overflow in C-Box 7 or 8.
ig	1		Read zero; writes ignored.
ov_c_l	0	0	Overflow in 'low' C-Boxes In SBOX0, indicates overflow in C-Box 0 or 1. In SBOX1, indicates overflow in C-Box 5 or 6.

### 2.5.3.2 S-Box Box Level PMON state

The following registers represent the state governing all box-level PMUs in the S-Box.

The \_GLOBAL\_CTL register contains the bits used to enable monitoring. It is necessary to set the .ctr\_en bit to 1 before the corresponding data register can collect events.

If an overflow is detected from one of the S-Box PMON registers, the corresponding bit in the \_GLOBAL\_STATUS.ov field will be set. To reset the overflow bits set in the \_GLOBAL\_STATUS.ov field, a user must set the corresponding bits in the \_GLOBAL\_OVF\_CTL.clr\_ov field before beginning a new sample interval.

**Table 2-27. S\_MSR\_PMON\_GLOBAL\_CTL Register Fields**

Field	Bits	HW Reset Value	Description
ctr_en	3:0	0	Must be set to enable each SBOX counter (bit 0 to enable ctr0, etc) NOTE: U-Box enable and per counter enable must also be set to fully enable the counter.

**Table 2-28. S\_MSR\_PMON\_GLOBAL\_STATUS Register Fields**

Field	Bits	HW Reset Value	Description
ov	3:0	0	If an overflow is detected from the corresponding SBOX PMON register, it's overflow bit will be set.

**Table 2-29. S\_MSR\_PMON\_OVF\_CTRL Register Fields**

Field	Bits	HW Reset Value	Description
clr_ov	3:0	0	Writing '1' to bit in field causes corresponding bit in 'Overflow PerfMon Counter' field in S_CSR_PMON_GLOBAL_STATUS register to be cleared to 0.

### 2.5.3.3 S-Box PMON state - Counter/Control Pairs + Filters

The following table defines the layout of the S-Box performance monitor control registers. The main task of these configuration registers is to select the event to be monitored by their respective data counter. Setting the *.ev\_sel* field performs the event selection. The *.en* bit must be set to 1 to enable counting.

Additional control bits include:

- *.pmi\_en* governs what to do if an overflow is detected.
- *.threshold* - If the *.threshold* is set to a non-zero value, that value is compared against the incoming count for that event in each cycle. If the incoming count is  $\geq$  the threshold value, then the event count captured in the data register will be incremented by 1.
- *.invert* - Changes the *.threshold* test condition to '<'
- *.edge\_detect* - Rather than accumulating the raw count each cycle (for events that can increment by 1 per cycle), the register can capture transitions from no event to an event incoming.
- *.reset\_occ\_cnt* - Reset 7b occupancy counter associated with this counter.

**Table 2-30. S\_CSR\_PMON\_CTL{3-0} Register – Field Definitions**

Field	Bits	HW Reset Value	Description
ig	63	0	Read zero; writes ignored.
rsv	62:61	0	Reserved; Must write to 0 else behavior is undefined.
ig	60:32	0	Read zero; writes ignored.
threshold	31:24	0	Threshold used for counter comparison.
invert	23	0	Invert threshold comparison. When '0', the comparison will be thresh >= event. When '1', the comparison will be threshold < event.
en	22	0	Local Counter Enable. When set, the associated counter is locally enabled. NOTE: It must also be enabled in S_MSR_PMON_GLOBAL_CTL and the U-Box to be fully enabled.
ig	21	0	Read zero; writes ignored.
pmi_en	20	0	PMI Enable. If bit is set, when corresponding counter overflows, a PMI exception is sent to the U-Box.w
ig	19	0	Read zero; writes ignored.
edge_detect	18	0	Edge Detect. When bit is set, 0->1 transition of a one bit event input will cause counter to increment. When bit is 0, counter will increment for however long event is asserted.
reset_occ_cnt	17	0	Reset Occupancy Counter associated with this counter.
ig	16	0	Read zero; writes ignored.
umask	15:8	0	Unit Mask - select subevent of event.
ev_sel	7:0	0	Event Select

The S-Box performance monitor data registers are 48b wide. A counter overflow occurs when a carry out bit from bit 47 is detected. Software can force all uncore counting to freeze after N events by preloading a monitor with a count value of  $(2^{48} - 1) - N$  and setting the control register to send a PMI to the U-Box. Upon receipt of the PMI, the U-Box will disable counting ( [Section 2.1.1, “Freezing on Counter Overflow”](#)). During the interval of time between overflow and global disable, the counter value will wrap and continue to collect events.

In this way, software can capture the precise number of events that occurred between the time uncore counting was enabled and when it was disabled (or ‘frozen’) with minimal skew.

If accessible, software can continuously read the data registers without disabling event collection.

**Table 2-31. S\_CSR\_PMON\_CTR{3-0} Register – Field Definitions**

Field	Bits	HW Reset Value	Description
event_count	47:0	0	48-bit performance event counter

#### 2.5.3.4 S-Box Registers for Mask/Match Facility

In addition to generic event counting, the uncore provides a MATCH/MASK register pair for each S-Box that allows a user to filter outgoing packet traffic (system bound) according to the packet Opcode, Message Class, Response, HNID and Physical Address. Program the selected S-Box counter to capture TO\_R\_PROG\_EV to capture the filter match as an event.



To use the match/mask facility :

a) Set MM\_CFG (see Table 2-32, “S\_MSR\_MM\_CFG Register – Field Definitions”) reg bit 63 to 0.

b) Program match/mask regs (see Table 2-33, “S\_MSR\_MATCH Register – Field Definitions”). (if MM\_CFG[63] == 1, a write to match/mask will produce a GP fault).

NOTE: The address and the Home Node ID have a mask component in the MASK register. To mask off other fields (e.g. opcode or message class), set the field to all 0s.

c) Set the counter’s control register event select to 0x0 (TO\_R\_PROG\_EV) to capture the mask/match as a performance event.

d) Set MM\_CFG reg bit 63 to 1 to start matching.

**Table 2-32. S\_MSR\_MM\_CFG Register – Field Definitions**

Field	Bits	HW Reset Value	Description
mm_en	63	0	Enable Match/Mask
ig	62:0		Read zero; writes ignored.

**Table 2-33. S\_MSR\_MATCH Register – Field Definitions**

Field	Bits	HW Reset Value	Description
resp	63:59	0	Match if returning data is in b1xxxx - 'F' state. bx1xxx - 'S' state bxx1xx - 'E' state. bxxx1x - 'M' state. bxxxx1 - 'I' state.  NOTE: Response matching is only done on the DRS response to a HOMO RdCode, RdData or RdInvOwn request. NOTE: Match will be ignored if field set to all 0s.
opc	58:48	0	Match on Opcode (see Table 2-34, “S_MSR_MATCH.opc - Opcode Match by Message Class”)  NOTE: Match will be ignored if field set to all 0s.
mc	47:43	0	Match on Message Class  b1xxxx - NCB bx1xxx - NCS bxx1xx - NDR bxxx1x - HOM1 bxxxx1 - HOM0  NOTE: Match will be ignored if field set to all 0s.
addr	42:5	0	Match on PA address bits [43:6]
hnid	4:0	0	Match on Home NodeID

Refer to Table 2-104, “Opcodes (Alphabetical Listing)” for definitions of the opcodes found in the following table.

**Table 2-34. S\_MSR\_MATCH.opc - Opcode Match by Message Class**

bit	NCB	NCS	NDR	HOM1	HOMO
58	---	NcMsgS	---	---	---
57	---	NcIOWr	---	---	---
56	DebugData	---	---	RspSWb	---
55	WcWrPtl	NcCfgWr	---	RsplWb	AckCnflt
54	NcWrPtl	NcIORd	---	RspFwdSwb	WbMtoE
53	IntPriorUpd	---	---	RspFwdlWb	WbMtol
52	IntPhysical	NcCfgRd	---	RspFwdS	AckCnfltWbl
51	IntLogical	NcRdPtl	---	RspFwdl	InvltoE
50	NcMsgB	FERR	---	RspCnflt	RdInvOwn
49	WcWr	IntAck	CmpD	RspS	RdData
48	NcWr	NcRd	Cmp	Rspl	RdCode

**Table 2-35. S\_MSR\_MASK Register – Field Definitions**

Field	Bits	HW Reset Value	Description
ig	62:39		Read zero; writes ignored.
addr	38:1	0	Mask PA address bits [43:6]. For each mask bit that is set, the corresponding bit in the address is already considered matched (e.g. it is ignored). If it is clear the it must match the corresponding address match bit in the S_MSR_MATCH register.
hnid	0	0	Disable HNID matching. 1 - HNID is NOT matched 0 - HNID is compared against the match

## 2.5.4 S-BOX Performance Monitoring Events

### 2.5.4.1 An Overview

The S-Box provides events to track incoming (ring bound)/outgoing (system bound) transactions, various queue occupancies/latencies that track those transactions and a variety of static events such as bypass use (i.e. EGRESS\_BYPASS) and when output credit is unavailable (i.e. NO\_CREDIT\_SNP). Many of these events can be further broken down by message class.

#### 2.5.4.2 On Queue Occupancy Usage

This means two things:

- none of the physical queues receive more than one entry per cycle
- The entire 7b from the ‘selected’ (by the event select) queue occ subcounter is sent to the generic counter each cycle, meaning that the max inc of a generic counter is 64 (for the sys bound HOM buffer).

Associated with each of the four general purpose counters is a 7b queue occupancy counter which supports the various queue occupancy events found in [Section 2.5.5, "S-Box Events Ordered By Code"](#).

Each System Bound and Ring Bound data storage structure within the S-Box (queue/FIFO/buffer) has an associated tally counter which can be used to provide input into one of the S-Box performance counters. The data structure the tally counter is 'attached' to then sends increment/decrement signals as it receives/removes new entries. The tally counter then sends its contents to the performance counter each cycle.

The following table summarizes the queues (and their associated events) responsible for buffering traffic into and out of the S-Box.

**Table 2-36. S-Box Data Structure Occupancy Events**

Structure/Event Name	Subev	Max Entries	Instances	Description/Comment
System Bound HOM Message Queue TO_R_B_HOM_MSGQ_OCCUPANCY	RBOX	64	2	HOM Packet to System  1 buffer for R-Box and 1 for B-Box, 64 entries each. The sum of the occupied entries in the two header buffers will never exceed 64.
	B-Box	64		
	ALL	64		
System Bound SNP Message Queue TO_R_SNP_MSGQ_OCCUPANCY		32	1	SNP Packet to System
System Bound NDR Message Queue TO_R_NDR_MSGQ_OCCUPANCY		16	1	NDR Packet to System
System Bound DRS Message Queue TO_R_DRS_MSGQ_OCCUPANCY		16	4	DRS Packet to System
System Bound NCB Message Queue TO_R_NCB_MSGQ_OCCUPANCY		16	4	NCB Packet to System
System Bound NCS Message Queue TO_R_NCS_MSGQ_OCCUPANCY		16	4	NCS Packet to System
Ring Bound Message Queue TO_RING_MSGQ_OCCUPANCY	SNP	31	1	Packets from System (SNP/NCS/NCB - NDR is separate)  The total of the buffer entries occupied by all 3 message classes will never exceed 36.
	NCS	4		
	NCB	4		
	ALL	36		
Ring Bound NDR Message Queue TO_RING_NDR_MSGQ_OCCUPANCY		32	1	NDR Packet from System
Ring Bound R2S Message Queue TO_RING_R2S_MSGQ_OCCUPANCY		8	1	DRS Packet from R-Box
Ring Bound B2S Message Queue TO_RING_B2S_MSGQ_OCCUPANCY		8	1	DRS Packet from B-Box
Request Table		48	1	System Bound Request

### 2.5.4.3 On Packet Transmission Events

For the message classes that have variable length messages, the S-Box has separate events which count the number of flits of those message classes sent or received (i.e PKTS\_SENT\_HOM vs. PKTS/FLITS\_SENT\_NCB). For message classes that have fixed length messages, the total number of flits can be calculated by multiplying the total messages by the number of flits per message (i.e. PKTS\_RCVD\_NCB).

Message Class	Flits per Msg	Comment
HOM	1	
SNP	1	
NDR	1	
Ring Bound DRS	9	R2S and B2S DRS messages are always full cacheline messages which are 9 flits. NOTE: flits are variable in the Sys Bound direction.
Ring Bound NCS	3	The only ring bound NCS message type is NcMsgS. There are always 3 flits. NOTE: flits are variable in the Sys Bound direction.
Ring Bound NCB	11	The only ring bound NCB message types are: NcMsgB, IntLogical, IntPhysical. These are all 11 flit messages. NOTE: flits are variable in the Sys Bound direction.

The number of flits sent or received can be divided by the total number of uncore cycles (see [Section 2.8.2, “W-Box Performance Monitoring Overview”](#)) to calculate the link utilization for each message class. The combined number of flits across message classes can be used to calculate the total link utilization.

Note that for S2R and R2S links, there is no single event which counts the total number of message and credit carrying idle flits sent on the link. The total link utilization can be approximated by adding together the number of flits of the message classes that are expected to be most frequent.

## 2.5.5 S-Box Events Ordered By Code

Table 2-37 summarizes the directly-measured S-Box events.

**Table 2-37. Performance Monitor Events for S-Box Events**

Symbol Name	Event Code	Max Inc/ Cyc	Description
TO_R_PROG_EV	0x00	1	System Bound Programmable Event
TO_R_B_HOM_MSGQ_CYCLES_FULL	0x03	1	Cycles System Bound HOM Message Queue Full.
TO_R_B_HOM_MSGQ_CYCLES_NE	0x06	1	Cycles System Bound HOM Message Queue Not Empty.
TO_R_B_HOM_MSGQ_OCCUPANCY	0x07	64	System Bound HOM Message Queue Occupancy
TO_R_SNP_MSGQ_CYCLES_FULL	0x08	1	Cycles System Bound SNP Message Queue Full
TO_R_SNP_MSGQ_CYCLES_NE	0x09	1	Cycles System Bound SNP Message Queue Not Empty
TO_R_SNP_MSGQ_OCCUPANCY	0x0A	32	System Bound SNP Message Queue Occupancy
TO_R_NDR_MSGQ_CYCLES_FULL	0x0B	1	Cycles System Bound NDR Message Queue Full.
TO_R_NDR_MSGQ_CYCLES_NE	0x0C	1	Cycles System Bound NDR Message Queue Not Empty
TO_R_NDR_MSGQ_OCCUPANCY	0x0D	16	System Bound NDR Message Queue Occupancy
TO_R_DRS_MSGQ_CYCLES_FULL	0x0E	1	Cycles System Bound DRS Message Queue Full
TO_R_DRS_MSGQ_CYCLES_NE	0x0F	1	Cycles System Bound DRS Message Queue Not Empty
TO_R_DRS_MSGQ_OCCUPANCY	0x10	64	System Bound DRS Message Queue Occupancy
TO_R_NCB_MSGQ_CYCLES_FULL	0x11	1	Cycles System Bound NCB Message Queue Full

**Table 2-37. Performance Monitor Events for S-Box Events**

Symbol Name	Event Code	Max Inc/ Cyc	Description
TO_R_NCB_MSGQ_CYCLES_NE	0x12	1	Cycles System Bound NCB Message Queue Not Empty
TO_R_NCB_MSGQ_OCCUPANCY	0x13	64	System Bound NCB Message Queue Occupancy
TO_R_NCS_MSGQ_CYCLES_FULL	0x14	1	Cycles System Bound NCS Message Queue Full
TO_R_NCS_MSGQ_CYCLES_NE	0x15	1	Cycles System Bound NCS Message Queue Not Empty
TO_R_NCS_MSGQ_OCCUPANCY	0x16	64	System Bound NCS Message Queue Occupancy
TO_RING_SNP_MSGQ_CYCLES_FULL	0x20	1	Cycles Ring Bound SNP Message Queue Full
TO_RING_NCB_MSGQ_CYCLES_FULL	0x21	1	Cycles Ring Bound NCB Message Queue Full
TO_RING_NCS_MSGQ_CYCLES_FULL	0x22	1	Cycles Ring Bound NCS Message Queue Full
TO_RING_SNP_MSGQ_CYCLES_NE	0x23	1	Cycles Ring Bound SNP Message Queue Not Empty
TO_RING_NCB_MSGQ_CYCLES_NE	0x24	1	Cycles Ring Bound NCB Message Queue Not Empty
TO_RING_NCS_MSGQ_CYCLES_NE	0x25	1	Cycles Ring Bound NCS Message Queue Not Empty
TO_RING_MSGQ_OCCUPANCY	0x26	361	Cycles Ring Bound Message Queue Occupancy
TO_RING_NDR_MSGQ_CYCLES_FULL	0x27	1	Cycles Ring Bound NDR Message Queue Full.
TO_RING_NDR_MSGQ_CYCLES_NE	0x28	1	Cycles Ring Bound NDR Message Queue Not Empty
TO_RING_NDR_MSGQ_OCCUPANCY	0x29	321	Ring Bound NDR Message Queue Occupancy
TO_RING_R2S_MSGQ_CYCLES_FULL	0x2A	1	Cycles Ring Bound R2S Message Queue Full.
TO_RING_R2S_MSGQ_CYCLES_NE	0x2B	1	Cycles Ring Bound R2S Message Queue Not Empty
TO_RING_R2S_MSGQ_OCCUPANCY	0x2C	8	Ring Bound R2S Message Queue Occupancy
TO_RING_B2S_MSGQ_CYCLES_FULL	0x2D	1	Cycles Ring Bound B2S Message Queue Full.
TO_RING_B2S_MSGQ_CYCLES_NE	0x2E	1	Cycles Ring Bound B2S Message Queue Not Empty
TO_RING_B2S_MSGQ_OCCUPANCY	0x2F	8	Ring Bound B2S Message Queue Occupancy
HALFLINE_BYPASS	0x30	1	Half Cacheline Bypass
REQ_TBL_OCCUPANCY	0x31	48	Request Table Occupancy
EGRESS_BYPASS	0x40	1	Egress Bypass
EGRESS_ARB_WINS	0x41	1	Egress ARB Wins
EGRESS_ARB_LOSSES	0x42	1	Egress ARB Losses
EGRESS_STARVED	0x43	1	Egress Cycles in Starvation
RBOX_HOM_BYPASS	0x50	1	R-Box HOM Bypass
RBOX_SNP_BYPASS	0x51	1	R-Box SNP Bypass
S2B_HOM_BYPASS	0x52	1	S-Box to B-Box HOM Bypass
B2S_DRS_BYPASS	0x53	1	B-Box to S-Box DRS Bypass
BBOX_HOM_BYPASS	0x54	1	B-Box HOM Bypass
PKTS_SENT_HOM	0x60	1	HOM Packets Sent to System
PKTS_SENT_SNP	0x62	1	SNP Packets Sent to System
PKTS_SENT_NDR	0x63	1	NDR Packets Sent to System
PKTS_SENT_DRS	0x64	1	DRS Packets Sent to System
FLITS_SENT_DRS	0x65	1	DRS Flits Sent to System
PKTS_SENT_NCS	0x66	1	NCS Packets Sent to System
FLITS_SENT_NCS	0x67	1	NCS Flits Sent to System
PKTS_SENT_NCB	0x68	1	NCB Packets Sent to System
FLITS_SENT_NCB	0x69	1	NCB Flits Sent to System

**Table 2-37. Performance Monitor Events for S-Box Events**

Symbol Name	Event Code	Max Inc/ Cyc	Description
RBOX_CREDIT_RETURNS	0x6A	1	R-Box Credit Returns
BBOX_CREDIT_RETURNS	0x6B	1	B-Box Credit Returns
TO_R_B_REQUESTS	0x6C	1	System Bound Requests
PKTS_RCVD_NDR	0x70	1	NDR Packets Received from System
PKTS_RCVD_SNP	0x71	1	SNP Packets Received from System
PKTS_RCVD_DRS_FROM_R	0x72	1	DRS Packets Received from R-Box
PKTS_RCVD_DRS_FROM_B	0x73	1	DRS Packets Received from B-Box
PKTS_RCVD_NCS	0x74	1	NCS Packets Received from System
PKTS_RCVD_NCB	0x75	1	NCB Packets Received from System
RBOX_CREDITS	0x76	1	R-Box Credit Carrying Flits
BBOX_CREDITS	0x77	1	B-Box Credit Carrying Flits
NO_CREDIT_HOM	0x80	1	HOM Credit Unavailable
NO_CREDIT_SNP	0x81	1	SNP Credit Unavailable
NO_CREDIT_DRS	0x82	1	DRS Credit Unavailable
NO_CREDIT_NCS	0x83	1	NCS Credit Unavailable
NO_CREDIT_NCB	0x84	1	NCB Credit Unavailable
NO_CREDIT_NDR	0x85	1	NDR Credit Unavailable
NO_CREDIT_VNA	0x86	1	VNA Credit Unavailable
NO_CREDIT_AD	0x87	1	AD Credit Unavailable
NO_CREDIT_AK	0x88	1	AK Credit Unavailable
NO_CREDIT_BL	0x89	1	BL Credit Unavailable
NO_CREDIT_IPQ	0x8A	1	IPQ Credit Unavailable
NO_CREDIT_LOC_NCS	0x8B	1	Local NCS Credit Unavailable
TO_R_LOC_NCS_MSGQ_CYCLES_FULL	0x8C	1	Cycles System Bound Local NCS Message Queue Full
TO_R_LOC_NCS_MSGQ_CYCLES_NE	0x8D	1	Cycles System Bound Local NCS Message Queue Not Empty
TO_R_LOC_NCS_MSGQ_OCCUPANCY	0x8E	64	System Bound Local NCS Message Queue Occupancy
PKTS_RCVD_LOC_NCS	0x8F	1	Local NCS Packets Received from System
FLITS_SENT_LOC_NCS	0x90	1	Local NCS Flits Sent to System

## 2.5.6 S-Box Performance Monitor Event List

This section enumerates Intel® Xeon® Processor E7 Family uncore performance monitoring events for the S-Box.

### B2S\_DRS\_BYPASS

- **Title:** B-Box to S-Box DRS Bypass
- **Category:** Ring Bound Enhancement
- **Event Code:** 0x53, **Max. Inc/Cyc:** 1,
- **Definition:** Number of cycles the B-Box to S-Box DRS channel bypass optimization was utilized. Includes cycles used to transmit message flits and credit carrying idle credit flits.

**BBOX\_CREDITS**

- **Title:** B-Box Credit Carrying Flits
- **Category:** Ring Bound Transmission
- **Event Code:** 0x77, **Max. Inc/Cyc:** 1,
- **Definition:** Number credit carrying idle flits received from the B-Box.

**BBOX\_CREDIT\_RETURNS**

- **Title:** B-Box Credit Returns
- **Category:** System Bound Transmission
- **Event Code:** 0x6B, **Max. Inc/Cyc:** 1,
- **Definition:** Number credit return idle flits sent to the B-Box.

**BBOX\_HOM\_BYPASS**

- **Title:** B-Box HOM Bypass
- **Category:** System Bound Enhancement
- **Event Code:** 0x54, **Max. Inc/Cyc:** 1,
- **Definition:** B-Box HOM Bypass optimization utilized.

**EGRESS\_ARB\_LOSSES**

- **Title:** Egress ARB Losses
- **Category:** Ring Bound Credits
- **Event Code:** 0x42, **Max. Inc/Cyc:** 1,
- **Definition:** Egress Arbitration Losses.
- **NOTE:** Enabling multiple subevents in this category will result in the counter being increased by the number of selected subevents that occur in a given cycle. Because only one of the even/odd FIFOs can arbitrate to send onto the ring in each cycle, the event for the even/odd FIFOs in each direction are exclusive. The bypass event for each direction is the sum of the bypass events of the even/odd FIFOs.

Extension	umask [15:8]	Description
---	b000000	(*nothing will be counted*)
AD_CW	b000001	AD Clockwise
AD_CCW	b000010	AD Counter-Clockwise
AD	b000011	AD
AK_CW	b000100	AK Clockwise
AK_CCW	b001000	AK Counter-Clockwise
AK	b001100	AK
BL_CW	b010000	BL Clockwise
BL_CCW	b100000	BL Counter-Clockwise
BL	b110000	BL

**EGRESS\_ARB\_WINS**

- **Title:** Egress ARB Wins
- **Category:** Ring Bound Transmission
- **Event Code:** 0x41, **Max. Inc/Cyc:** 1,
- **Definition:** Egress Arbitration Wins.
- **NOTE:** Enabling multiple subevents in this category will result in the counter being increased by the number of selected subevents that occur in a given cycle. Because only one of the even/odd FIFOs can arbitrate to send onto the ring in each cycle, the event for the even/odd FIFOs in each direction

are exclusive. The bypass event for each direction is the sum of the bypass events of the even/odd FIFOs.

Extension	umask [15:8]	Description
---	b000000	(*nothing will be counted*)
AD_CW	b000001	AD Clockwise
AD_CCW	b000010	AD Counter-Clockwise
AD	b000011	AD
AK_CW	b000100	AK Clockwise
AK_CCW	b001000	AK Counter-Clockwise
AK	b001100	AK
BL_CW	b010000	BL Clockwise
BL_CCW	b100000	BL Counter-Clockwise
BL	b110000	BL

### EGRESS\_BYPASS

- **Title:** Egress Bypass
- **Category:** Ring Bound Enhancement
- **Event Code:** 0x40, **Max. Inc/Cyc:** 1,
- **Definition:** Egress Bypass optimization utilized.
- **NOTE:** Enabling multiple subevents in this category will result in the counter being increased by the number of selected subevents that occur in a given cycle. Because only one of the even/odd FIFOs can arbitrate to send onto the ring in each cycle, the event for the even/odd FIFOs in each direction are exclusive. The bypass event for each direction is the sum of the bypass events of the even/odd FIFOs.

Extension	umask [15:8]	Description
---	b000000	(*nothing will be counted*)
AD_CW	b000001	AD Clockwise
AD_CCW	b000010	AD Counter-Clockwise
AD	b000011	AD
AK_CW	b000100	AK Clockwise
AK_CCW	b001000	AK Counter-Clockwise
AK	b001100	AK
BL_CW	b010000	BL Clockwise
BL_CCW	b100000	BL Counter-Clockwise
BL	b110000	BL

### EGRESS\_STARVED

- **Title:** Egress Cycles in Starvation
- **Category:** Ring Bound Credits
- **Event Code:** 0x43, **Max. Inc/Cyc:** 1,
- **Definition:** Number of cycles the S-Box egress FIFOs are in starvation.
- **NOTE:** Enabling multiple subevents in this category will result in the counter being increased by the number of selected subevents that occur in a given cycle. Because only one of the even/odd FIFOs can arbitrate to send onto the ring in each cycle, the event for the even/odd FIFOs in each direction



are exclusive. The bypass event for each direction is the sum of the bypass events of the even/odd FIFOs.

Extension	umask [15:8]	Description
---	b000000	(*nothing will be counted*)
AD_CW	b000001	AD Clockwise
AD_CCW	b000010	AD Counter-Clockwise
AD	b000011	AD
AK_CW	b000100	AK Clockwise
AK_CCW	b001000	AK Counter-Clockwise
AK	b001100	AK
BL_CW	b010000	BL Clockwise
BL_CCW	b100000	BL Counter-Clockwise
BL	b110000	BL

### FLITS\_SENT\_DRS

- **Title:** DRS Flits Sent to System
- **Category:** System Bound Transmission
- **Event Code:** 0x65, **Max. Inc/Cyc:** 1,
- **Definition:** Number of data response flits the S-Box has transmitted to the system.

### FLITS\_SENT\_LOC\_NCS

- **Title:** Local NCS Flits Sent to System
- **Category:** System Bound Transmission
- **Event Code:** 0x90, **Max. Inc/Cyc:** 1,
- **Definition:** Number of local non-coherent standard flits the S-Box has transmitted to the system.

### FLITS\_SENT\_NCB

- **Title:** NCB Flits Sent to System
- **Category:** System Bound Transmission
- **Event Code:** 0x69, **Max. Inc/Cyc:** 11,
- **Definition:** Number of non-coherent bypass flits the S-Box has transmitted to the system.

### FLITS\_SENT\_NCS

- **Title:** NCS Flits Sent to System
- **Category:** System Bound Transmission
- **Event Code:** 0x67, **Max. Inc/Cyc:** 1,
- **Definition:** Number of non-coherent standard flits the S-Box has transmitted to the system.

### HALFLINE\_BYPASS

- **Title:** Half Cacheline Bypass
- **Category:** Ring Bound Enhancement
- **Event Code:** 0x30, **Max. Inc/Cyc:** 1,
- **Definition:** Half Cacheline Bypass optimization (where the line is sent early) was utilized.

**NO\_CREDIT\_AD**

- **Title:** AD Ring Credit Unavailable
- **Category:** Ring Bound Credits
- **Event Code:** 0x87, **Max. Inc/Cyc:** 1,
- **Definition:** Number of times the S-Box has a pending SNP, NCS or NCB message to send and there is no credit for the target egress FIFO.

**NO\_CREDIT\_AK**

- **Title:** AK Ring Credit Unavailable
- **Category:** Ring Bound Credits
- **Event Code:** 0x88, **Max. Inc/Cyc:** 1,
- **Definition:** Number of times the S-Box has a pending NDR or S2C credit return message to send but there is no credit for the target egress FIFO.

**NO\_CREDIT\_BL**

- **Title:** BL Ring Credit Unavailable
- **Category:** Ring Bound Credits
- **Event Code:** 0x89, **Max. Inc/Cyc:** 1,
- **Definition:** Number of times the S-Box has a pending DRS or debug message to send and there is no credit for the target egress FIFO.

**NO\_CREDIT\_DRS**

- **Title:** DRS Credit Unavailable
- **Category:** System Bound Credits
- **Event Code:** 0x82, **Max. Inc/Cyc:** 1,
- **Definition:** Number of times the S-Box has a pending data response message to send and there is no DRS or VNA credit available.

**NO\_CREDIT\_HOM**

- **Title:** HOM Credit Unavailable
- **Category:** System Bound Credits
- **Event Code:** 0x80, **Max. Inc/Cyc:** 1,
- **Definition:** Number of times the S-Box has a pending home message to send and there is no HOM or VNA credit available.

**NO\_CREDIT\_IPQ**

- **Title:** IPQ Credit Unavailable
- **Category:** Ring Bound Credits
- **Event Code:** 0x8A, **Max. Inc/Cyc:** 1,
- **Definition:** Number of times the S-Box has an incoming SNP to send but there is no IPQ credit available for the target C-Box.

**NO\_CREDIT\_LOC\_NCS**

- **Title:** Local NCS Credit Unavailable
- **Category:** System Bound Credits
- **Event Code:** 0x8B, **Max. Inc/Cyc:** 1,
- **Definition:** Number of times the S-Box has a pending local non-coherent standard message to send and there is no NCS or VNA credit available.

**NO\_CREDIT\_NCB**

- **Title:** NCB Credit Unavailable
- **Category:** System Bound Credits
- **Event Code:** 0x84, **Max. Inc/Cyc:** 1,
- **Definition:** Number of times the S-Box has a pending non-coherent bypass message to send and there is no NCB or VNA credit available.

**NO\_CREDIT\_NCS**

- **Title:** NCS Credit Unavailable
- **Category:** System Bound Credits
- **Event Code:** 0x83, **Max. Inc/Cyc:** 1,
- **Definition:** Number of times the S-Box has a pending non-coherent standard message to send and there is no NCS or VNA credit available.

**NO\_CREDIT\_NDR**

- **Title:** NDR Credit Unavailable
- **Category:** System Bound Credits
- **Event Code:** 0x85, **Max. Inc/Cyc:** 1,
- **Definition:** Number of times the S-Box has a pending non-data response message to send and there is no NDR or VNA credit available.

**NO\_CREDIT\_SNP**

- **Title:** SNP Credit Unavailable
- **Category:** System Bound Credits
- **Event Code:** 0x81, **Max. Inc/Cyc:** 1,
- **Definition:** Number of times the S-Box has a pending snoop message to send and there is no SNP or VNA credit available.

**NO\_CREDIT\_VNA**

- **Title:** VNA Credit Unavailable
- **Category:** System Bound Transmission
- **Event Code:** 0x86, **Max. Inc/Cyc:** 1,
- **Definition:** Number of times the S-Box has exhausted its VNA credit pool. When more than one subevent is selected, the credit counter will be incremented by the number of selected subevents that occur in each cycle.

Extension	umask [15:8]	Description
---	b00	(*nothing will be counted*)
RBOX	b01	R-Box Out
BBOX	b10	B-Box Out
ALL	b11	Both R and B Boxes

**PKTS\_RCVD\_DRS\_FROM\_B**

- **Title:** DRS Packets Received from B-Box
- **Category:** Ring Bound Transmission
- **Event Code:** 0x73, **Max. Inc/Cyc:** 1,
- **Definition:** Number of data response packets the S-Box has received from the B-Box.
- **NOTE:** DRS messages are always full cacheline messages which are 9 flits. Multiply this event by 9 to derive flit traffic from the B-Box due to DRS messages.

### PKTS\_RCVD\_DRS\_FROM\_R

- **Title:** DRS Packets Received from R-Box
- **Category:** Ring Bound Transmission
- **Event Code:** 0x72, **Max. Inc/Cyc:** 9,
- **Definition:** Number of data response packets the S-Box has received from the R-Box.
- **NOTE:** DRS messages are always full cacheline messages which are 9 flits. Multiply this event by 9 to derive flit traffic from the R-Box due to DRS messages.

### PKTS\_RCVD\_LOC\_NCS

- **Title:** Local NCS Packets Received from System
- **Category:** Ring Bound Transmission
- **Event Code:** 0x8F, **Max. Inc/Cyc:** 1,
- **Definition:** Number of local non-coherent standard packets the S-Box has received from the system.
- **NOTE:** The only ring bound local NCS message type is NcMsgS (StopReq1). There are always 3 flits. Multiply this event by 3 to derive flit traffic from the system due to local NCS messages.

### PKTS\_RCVD\_NCB

- **Title:** NCB Packets Received from System
- **Category:** Ring Bound Transmission
- **Event Code:** 0x75, **Max. Inc/Cyc:** 1,
- **Definition:** Number of non-coherent bypass packets the S-Box has received from the system.
- **NOTE:** The only ring bound NCB message types are: NcMsgB (StartReq2, VLW), IntLogical, IntPhysical. These are all 11 flit messages. Multiply this event by 11 to derive flit traffic from the system due to NCB messages.

### PKTS\_RCVD\_NCS

- **Title:** NCS Packets Received from System
- **Category:** Ring Bound Transmission
- **Event Code:** 0x74, **Max. Inc/Cyc:** 1,
- **Definition:** Number of non-coherent standard packets the S-Box has received from the system.
- **NOTE:** The only ring bound NCS message type is NcMsgS (StopReq1). There are always 3 flits. Multiply this event by 3 to derive flit traffic from the system due to NCS messages.

### PKTS\_RCVD\_NDR

- **Title:** NDR Packets Received from System
- **Category:** Ring Bound Transmission
- **Event Code:** 0x70, **Max. Inc/Cyc:** 1,
- **Definition:** Number of non-data response packets the S-Box has received from the system.

### PKTS\_RCVD\_SNP

- **Title:** SNP Packets Received from System
- **Category:** Ring Bound Transmission
- **Event Code:** 0x71, **Max. Inc/Cyc:** 1,
- **Definition:** Number of snoop packets the S-Box has received from the system.

### PKTS\_SENT\_DRS

- **Title:** DRS Packets Sent to System
- **Category:** System Bound Transmission
- **Event Code:** 0x64, **Max. Inc/Cyc:** 1,
- **Definition:** Number of DRS packets the S-Box has transmitted to the system.
- **NOTE:** If multiple C-Boxes are selected, this event counts the total data response packets sent by all the selected C-Boxes. In the cases where one DRS message spawns two messages, one to the

requester and one to the home, this event only counts the first DRS message. DRS messages are always full cacheline messages which are 9 flits.

Extension	umask [15:8]	Description
---	b00000	(*nothing will be counted*)
CBOX0_5	bxxxx1	CBOX 0 and 5
CBOX1_6	bxxx1x	CBOX 1 and 6
CBOX2_7	bxx1xx	CBOX 2 and 7
CBOX3_8	bx1xxx	CBOX 3 and 8
CBOX4_9	b1xxxx	CBOX 4 and 9
ALL	b11111	All C-Boxes

### PKTS\_SENT\_HOM

- **Title:** HOM Packets Sent to System
- **Category:** System Bound Transmission
- **Event Code:** 0x60, **Max. Inc/Cyc:** 1,
- **Definition:** Number of home packets the S-Box has transmitted to the R-Box or B-Box. If both R-Box and B-Box are selected, counts the total number of home packets sent to both boxes.

Extension	umask [15:8]	Description
---	b00	(*nothing will be counted*)
RBOX	b01	R-Box (1 flit per request)
BBOX	b10	B-Box (1 flit per request)
ALL	b11	Both R and B Boxes

### PKTS\_SENT\_NCB

- **Title:** NCB Packets Sent to System
- **Category:** System Bound Transmission
- **Event Code:** 0x68, **Max. Inc/Cyc:** 11,
- **Definition:** Number of NCB packets the S-Box has transmitted to the system.
- **NOTE:** If multiple C-Boxes are selected, this event counts the total non-coherent bypass packets sent by all the selected C-Boxes. The only ring bound NCB message types are: NcMsgB (StartReq2, VLW), IntLogical, IntPhysical. These are all 11 flit messages.

Extension	umask [15:8]	Description
---	b00000	(*nothing will be counted*)
CBOX0_5	bxxxx1	CBOX 0 and 5
CBOX1_6	bxxx1x	CBOX 1 and 6
CBOX2_7	bxx1xx	CBOX 2 and 7
CBOX3_8	bx1xxx	CBOX 3 and 8
CBOX4_9	b1xxxx	CBOX 4 and 9
ALL	b11111	All C-Boxes

**PKTS\_SENT\_NCS**

- **Title:** NCS Packets Sent to System
- **Category:** System Bound Transmission
- **Event Code:** 0x66, **Max. Inc/Cyc:** 3,
- **Definition:** Number of NCS packets the S-Box has transmitted to the system.
- **NOTE:** If multiple C-Boxes are selected, this event counts the total non-coherent standard packets sent by all the selected C-Boxes. The only ring bound NCS message type is NcMsgS (StopReq1). There are always 3 flits.

Extension	umask [15:8]	Description
---	b00000	(*nothing will be counted*)
CBOX0_5	bxxxx1	CBOX 0 and 5
CBOX1_6	bxxx1x	CBOX 1 and 6
CBOX2_7	bxx1xx	CBOX 2 and 7
CBOX3_8	bx1xxx	CBOX 3 and 8
CBOX4_9	b1xxxx	CBOX 4 and 9
ALL	b11111	All C-Boxes

**PKTS\_SENT\_NDR**

- **Title:** NDR Packets Sent to System
- **Category:** System Bound Transmission
- **Event Code:** 0x63, **Max. Inc/Cyc:** 1,
- **Definition:** Number of non-data response packets the S-Box has transmitted to the system.

**PKTS\_SENT\_SNP**

- **Title:** SNP Packets Sent to System
- **Category:** System Bound Transmission
- **Event Code:** 0x62, **Max. Inc/Cyc:** 1,
- **Definition:** Number of SNP packets the S-Box has transmitted to the system. This event only counts the first snoop that is spawned from a home request. When S-Box broadcast is enabled, this event does not count the additional snoop packets that are spawned.

**RBOX\_CREDIT\_CARRIERS**

- **Title:** R-Box Credit Carrying Flits
- **Category:** Ring Bound Transmission
- **Event Code:** 0x76, **Max. Inc/Cyc:** 1,
- **Definition:** Number credit carrying idle flits received from the R-Box.

**RBOX\_CREDIT\_RETURNS**

- **Title:** R-Box Credit Returns
- **Category:** System Bound Transmission
- **Event Code:** 0x6A, **Max. Inc/Cyc:** 1,
- **Definition:** Number credit return idle flits sent to the R-Box.

**RBOX\_HOM\_BYPASS**

- **Title:** R-Box HOM Bypass
- **Category:** System Bound Enhancement
- **Event Code:** 0x50, **Max. Inc/Cyc:** 1,
- **Definition:** R-Box HOM Bypass optimization was utilized.

**RBOX\_SNP\_BYPASS**

- **Title:** R-Box SNP Bypass
- **Category:** System Bound Enhancement
- **Event Code:** 0x51, **Max. Inc/Cyc:** 1,
- **Definition:** R-Box SNP bypass optimization utilized. When both snoop and big snoop bypass are selected, the performance counter will increment on both subevents.

Extension	umask [15:8]	Description
---	b00	(*nothing will be counted*)
SNP	b01	Snoop
BIG_SNP	b10	Big Snoop
ALL	b11	Both Bypasses

**REQ\_TBL\_OCCUPANCY**

- **Title:** Request Table Occupancy
- **Category:** Ring Bound Queue
- **Event Code:** 0x31, **Max. Inc/Cyc:** 48,
- **Definition:** Number of request table entries occupied by socket requests. Local means request is targeted towards the B-Boxes in the same socket. Requests to the B-Box in the same socket are considered remote.
- **NOTE:** Occupancy is tracked from allocation to deallocation of each entry in the queue.

Extension	umask [15:8]	Description
---	b00	(*nothing will be counted*)
LOCAL	b01	Local
REMOTE	b10	Remote
ALL	b11	Local And Remote

**S2B\_HOM\_BYPASS**

- **Title:** S-Box to B-Box HOM Bypass
- **Category:** System Bound Enhancement
- **Event Code:** 0x52, **Max. Inc/Cyc:** 1,
- **Definition:** Number of cycles the S-Box to B-Box HOM channel bypass optimization was utilized. Includes cycles used to transmit message flits and credit carrying idle credit flits.

**TO\_RING\_B2S\_MSGQ\_CYCLES\_FULL**

- **Title:** Ring Bound B2S Message Queue Full
- **Category:** Ring Bound Queue
- **Event Code:** 0x2B, **Max. Inc/Cyc:** 1,
- **Definition:** Number of cycles in which the header buffer, containing B to S-Box messages on their way to the Ring, is full.

**TO\_RING\_B2S\_MSGQ\_CYCLES\_NE**

- **Title:** Cycles Ring Bound B2S Message Queue Not Empty
- **Category:** Ring Bound Queue
- **Event Code:** 0x2D, **Max. Inc/Cyc:** 1,
- **Definition:** Number of cycles in which the header buffer, containing B to S-Box messages on their way to the Ring, has one or more entries allocated.

**TO\_RING\_B2S\_MSGQ\_OCCUPANCY**

- **Title:** Ring Bound B2S Message Queue Occupancy
- **Category:** Ring Bound Queue
- **Event Code:** 0x2F, **Max. Inc/Cyc:** 8,
- **Definition:** Number of entries in header buffer containing B to S-Box messages on their way to the Ring.

**TO\_RING\_MSGQ\_OCCUPANCY**

- **Title:** Ring Bound Message Queue Occupancy
- **Category:** Ring Bound Queue
- **Event Code:** 0x26, **Max. Inc/Cyc:** 1,
- **Definition:** Number of entries in header buffer containing SNP, NCS or NCB messages headed for the Ring. Each subevent represents usage of the buffer by a particular message class. When more than one message class is selected, the queue occupancy counter counts the total number of buffer entries occupied by messages in the selected message classes.
- **NOTE:** Total of the buffer entries occupied by all message classes in umask will never exceed 36.

Extension	umask [15:8]	Description
---	b000	(*nothing will be counted*)
SNP	bxx1	Snoop (31 entry buffer)
NCS	bx1x	Non-coherent Standard (4 entry buffer)
NCB	b1xx	Non-Coherent Bypass (4 entry buffer)
ALL	b111	All C-Boxes

**TO\_RING\_NCB\_MSGQ\_CYCLES\_FULL**

- **Title:** Cycles Ring Bound NCB Message Queue Full
- **Category:** Ring Bound Queue
- **Event Code:** 0x21, **Max. Inc/Cyc:** 1,
- **Definition:** Number of cycles in which the header buffer, containing NCB messages on their way to the Ring, is full.

**TO\_RING\_NCB\_MSGQ\_CYCLES\_NE**

- **Title:** Cycles Ring Bound NCB Message Queue Not Empty
- **Category:** Ring Bound Queue
- **Event Code:** 0x24, **Max. Inc/Cyc:** 1,
- **Definition:** Number of cycles in which the header buffer, containing NCB messages on their way to the Ring, has one or more entries allocated.

**TO\_RING\_NCS\_MSGQ\_CYCLES\_FULL**

- **Title:** Cycles Ring Bound NCS Message Queue Full
- **Category:** Ring Bound Queue
- **Event Code:** 0x22, **Max. Inc/Cyc:** 1,
- **Definition:** Number of cycles in which the header buffer, containing NCS messages on their way to the Ring, is full.

**TO\_RING\_NDR\_MSGQ\_CYCLES\_FULL**

- **Title:** Cycles Ring Bound NDR Message Queue Full
- **Category:** Ring Bound Queue
- **Event Code:** 0x27, **Max. Inc/Cyc:** 1,
- **Definition:** Number of cycles in which the header buffer, containing NDR messages on their way to the Ring, is full.



**TO\_RING\_NDR\_MSGQ\_CYCLES\_NE**

- **Title:** Cycles Ring Bound NDR Message Queue Not Empty
- **Category:** Ring Bound Queue
- **Event Code:** 0x28, **Max. Inc/Cyc:** 1,
- **Definition:** Number of cycles in which the header buffer, containing NDR messages on their way to the Ring, has one or more entries allocated.

**TO\_RING\_NDR\_MSGQ\_OCCUPANCY**

- **Title:** Ring Bound SNP Message Queue Occupancy
- **Category:** Ring Bound Queue
- **Event Code:** 0x29, **Max. Inc/Cyc:** 32,
- **Definition:** Number of entries in header buffer containing NDR messages on their way to the Ring.

**TO\_RING\_R2S\_MSGQ\_CYCLES\_FULL**

- **Title:** Cycles Ring Bound R2S Message Queue Full
- **Category:** Ring Bound Queue
- **Event Code:** 0x2A, **Max. Inc/Cyc:** 1,
- **Definition:** Number of cycles in which the header buffer, containing R to S-Box messages on their way to the Ring, is full.

**TO\_RING\_R2S\_MSGQ\_CYCLES\_NE**

- **Title:** Cycles Ring Bound R2S Message Queue Not Empty
- **Category:** Ring Bound Queue
- **Event Code:** 0x2C, **Max. Inc/Cyc:** 1,
- **Definition:** Number of cycles in which the header buffer, containing R to S-Box messages on their way to the Ring, has one or more entries allocated.

**TO\_RING\_R2S\_MSGQ\_OCCUPANCY**

- **Title:** Ring Bound R2S Message Queue Occupancy
- **Category:** Ring Bound Queue
- **Event Code:** 0x2E, **Max. Inc/Cyc:** 8,
- **Definition:** Number of entries in header buffer containing R to S messages on their way to the Ring.

**TO\_RING\_SNP\_MSGQ\_CYCLES\_FULL**

- **Title:** Cycles Ring Bound SNP Message Queue Full
- **Category:** Ring Bound Queue
- **Event Code:** 0x20, **Max. Inc/Cyc:** 1,
- **Definition:** Number of cycles in which the header buffer, containing SNP messages on their way to the Ring, is full.

**TO\_RING\_SNP\_MSGQ\_CYCLES\_NE**

- **Title:** Cycles Ring Bound SNP Message Queue Not Empty
- **Category:** Ring Bound Queue
- **Event Code:** 0x23, **Max. Inc/Cyc:** 1,
- **Definition:** Number of cycles in which the header buffer, containing SNP messages on their way to the Ring, has one or more entries allocated.

**TO\_R\_DRS\_MSGQ\_CYCLES\_FULL**

- **Title:** Cycles System Bound DRS Message Queue Full.
- **Category:** System Bound Queue
- **Event Code:** 0x0E, **Max. Inc/Cyc:** 1,
- **Definition:** Number of cycles in which the header buffer for the selected C-Box, containing DRS messages heading to a System Agent (through the R-Box), is full. Only one C-Box's DRS header buffer should be selected for the buffer full checking to be correct, else the result is undefined.

Extension	umask [15:8]	Description
---	b00000	(*nothing will be counted*)
CBOX0_5	bxxxx1	CBOX 0 and 5
CBOX1_6	bxxx1x	CBOX 1 and 6
CBOX2_7	bxx1xx	CBOX 2 and 7
CBOX3_8	bx1xxx	CBOX 3 and 8
CBOX4_9	b1xxxx	CBOX 4 and 9
ALL	b11111	All C-Boxes

**TO\_R\_DRS\_MSGQ\_CYCLES\_NE**

- **Title:** Cycles System Bound DRS Message Queue Not Empty
- **Category:** System Bound Queue
- **Event Code:** 0x0F, **Max. Inc/Cyc:** 1,
- **Definition:** Number of cycles in which the header buffer for the selected C-Box, containing DRS messages heading to a System Agent (through the R-Box), has one or more entries allocated. When more than one C-Box is selected, the event is asserted when any of the selected C-Box DRS header buffers are not empty.

Extension	umask [15:8]	Description
---	b00000	(*nothing will be counted*)
CBOX0_5	bxxxx1	CBOX 0 and 5
CBOX1_6	bxxx1x	CBOX 1 and 6
CBOX2_7	bxx1xx	CBOX 2 and 7
CBOX3_8	bx1xxx	CBOX 3 and 8
CBOX4_9	b1xxxx	CBOX 4 and 9
ALL	b11111	All C-Boxes

**TO\_R\_DRS\_MSGQ\_OCCUPANCY**

- **Title:** System Bound DRS Message Queue Occupancy
- **Category:** System Bound Queue
- **Event Code:** 0x10, **Max. Inc/Cyc:** 16,
- **Definition:** Number of entries in the header buffer for the selected C-Box, containing DRS messages heading to a System Agent (through the R-Box). When more than one C-Box is selected, the queue occupancy counter counts the total number of occupied entries in all selected C-Box DRS header buffers.
- **NOTE:** 1 buffer per C-Box, 4 entries each.

Extension	umask [15:8]	Description
---	b00000	(*nothing will be counted*)
CBOX0_5	bxxxx1	CBOX 0 and 5
CBOX1_6	bxxx1x	CBOX 1 and 6
CBOX2_7	bxx1xx	CBOX 2 and 7
CBOX3_8	bx1xxx	CBOX 3 and 8
CBOX4_9	b1xxxx	CBOX 4 and 9
ALL	b11111	All C-Boxes

**TO\_R\_B\_HOM\_MSGQ\_CYCLES\_FULL**

- **Title:** Cycles System Bound HOM Message Queue Full.
- **Category:** System Bound Queue
- **Event Code:** 0x03, **Max. Inc/Cyc:** 1,
- **Definition:** Number of cycles in which the header buffer, containing HOM messages heading to a System Agent (through the B or R-Box), is full. If both R-Box and B-Box subevents are selected, this event is asserted when the total number of entries in the R-Box and B-Box Home header buffers is equal to 64.

Extension	umask [15:8]	Description
---	b00	(*nothing will be counted*)
RBOX	b01	R-Box
BBOX	b10	B-Box
RBBOX	b11	R or B-Box

**TO\_R\_B\_HOM\_MSGQ\_CYCLES\_NE**

- **Title:** Cycles System Bound HOM Header Not Empty
- **Category:** System Bound Queue
- **Event Code:** 0x06, **Max. Inc/Cyc:** 1,
- **Definition:** Number of cycles in which the header buffer, containing HOM messages heading to a System Agent (through the B or R-Box), has one or more entries allocated. If both R-Box and B-Box subevents are selected, this event is asserted when the total number of entries in the R-Box and B-Box Home header buffers is equal to 64.

Extension	umask [15:8]	Description
---	b00	(*nothing will be counted*)
RBOX	b01	R-Box
BBOX	b10	B-Box
RBBOX	b11	R or B-Box

**TO\_R\_B\_HOM\_MSGQ\_OCCUPANCY**

- **Title:** System Bound HOM Message Queue Occupancy
- **Category:** System Bound Queue
- **Event Code:** 0x07, **Max. Inc/Cyc:** 64,
- **Definition:** Number of entries in the header buffer containing HOM messages heading to a System Agent (through the B or R-Box).
- **NOTE:** 1 buffer for the R-Box and 1 for the B-Box, 64 entries each. The sum of the occupied entries in the 2 header buffers will never exceed 64.

Extension	umask [15:8]	Description
---	b00	(*nothing will be counted*)
RBOX	b01	R-Box
BBOX	b10	B-Box
RBBOX	b11	R or B-Box

**TO\_R\_LOC\_NCS\_MSGQ\_CYCLES\_FULL**

- **Title:** Cycles System Bound Local NCS Message Queue Full.
- **Category:** System Bound Queue
- **Event Code:** 0x8C, **Max. Inc/Cyc:** 1,
- **Definition:** Number of cycles in which the header buffer for the selected C-Box, containing Local NCS messages heading to a System Agent (through the R-Box), is full. Only one C-Box's Local NCS header buffer should be selected for the buffer full checking to be correct, else the result is undefined.

Extension	umask [15:8]	Description
---	b00000	(*nothing will be counted*)
CBOX0_5	bxxxx1	CBOX 0 and 5
CBOX1_6	bxxx1x	CBOX 1 and 6
CBOX2_7	bxx1xx	CBOX 2 and 7
CBOX3_8	bx1xxx	CBOX 3 and 8
CBOX4_9	b1xxxx	CBOX 4 and 9
ALL	b11111	All C-Boxes

**TO\_R\_LOC\_NCS\_MSGQ\_CYCLES\_NE**

- **Title:** Cycles System Bound Local NCS Message Queue Not Empty
- **Category:** System Bound Queue
- **Event Code:** 0x8D, **Max. Inc/Cyc:** 1,
- **Definition:** Number of cycles in which the header buffer for the selected C-Box, containing Local NCS messages heading to a System Agent (through the R-Box), has one or more entries allocated. When more than one C-Box is selected, the event is asserted when any of the selected C-Box Local NCS header buffers are not empty.

Extension	umask [15:8]	Description
---	b00000	(*nothing will be counted*)
CBOX0_5	bxxxx1	CBOX 0 and 5
CBOX1_6	bxxx1x	CBOX 1 and 6
CBOX2_7	bxx1xx	CBOX 2 and 7
CBOX3_8	bx1xxx	CBOX 3 and 8
CBOX4_9	b1xxxx	CBOX 4 and 9
ALL	b11111	All C-Boxes

**TO\_R\_LOC\_NCS\_MSGQ\_OCCUPANCY**

- **Title:** System Bound Local NCS Message Queue Occupancy
- **Category:** System Bound Queue
- **Event Code:** 0x8E, **Max. Inc/Cyc:** 2,
- **Definition:** Number of entries in the header buffer for the selected C-Box, containing Local NCS messages heading to a System Agent (through the R-Box). When more than one C-Box is selected, the queue occupancy counter counts the total number of occupied entries in all selected C-Box Local NCS header buffers.
- **NOTE:** 1 buffer per C-Box, 2 entries each.

Extension	umask [15:8]	Description
---	b00000	(*nothing will be counted*)
CBOX0_5	bxxxx1	CBOX 0 and 5
CBOX1_6	bxxx1x	CBOX 1 and 6
CBOX2_7	bxx1xx	CBOX 2 and 7
CBOX3_8	bx1xxx	CBOX 3 and 8
CBOX4_9	b1xxxx	CBOX 4 and 9
ALL	b11111	All C-Boxes

**TO\_R\_NCB\_MSGQ\_CYCLES\_FULL**

- **Title:** Cycles System Bound NCB Message Queue Full.
- **Category:** System Bound Queue
- **Event Code:** 0x11, **Max. Inc/Cyc:** 1,
- **Definition:** Number of cycles in which the header buffer for the selected C-Box, containing NCB messages heading to a System Agent (through the R-Box), is full. Only one C-Box's NCB header buffer should be selected for the buffer full checking to be correct, else the result is undefined.

Extension	umask [15:8]	Description
---	b00000	(*nothing will be counted*)
CBOX0_5	bxxxx1	CBOX 0 and 5
CBOX1_6	bxxx1x	CBOX 1 and 6
CBOX2_7	bxx1xx	CBOX 2 and 7
CBOX3_8	bx1xxx	CBOX 3 and 8
CBOX4_9	b1xxxx	CBOX 4 and 9
ALL	b11111	All C-Boxes

**TO\_R\_NCB\_MSGQ\_CYCLES\_NE**

- **Title:** Cycles System Bound NCB Message Queue Not Empty
- **Category:** System Bound Queue
- **Event Code:** 0x12, **Max. Inc/Cyc:** 1,
- **Definition:** Number of cycles in which the header buffer for the selected C-Box, containing NCB messages heading to a System Agent (through the R-Box), has one or more entries allocated. When more than one C-Box is selected, the event is asserted when any of the selected C-Box DRS header buffers are not empty.

Extension	umask [15:8]	Description
---	b00000	(*nothing will be counted*)
CBOX0_5	bxxxx1	CBOX 0 and 5
CBOX1_6	bxxx1x	CBOX 1 and 6
CBOX2_7	bxx1xx	CBOX 2 and 7
CBOX3_8	bx1xxx	CBOX 3 and 8
CBOX4_9	b1xxxx	CBOX 4 and 9
ALL	b11111	All C-Boxes

**TO\_R\_NCB\_MSGQ\_OCCUPANCY**

- **Title:** System Bound NCB Message Queue Occupancy
- **Category:** System Bound Queue
- **Event Code:** 0x13, **Max. Inc/Cyc:** 8,
- **Definition:** Number of entries in the header buffer for the selected C-Box, containing NCB messages heading to a System Agent (through the R-Box). When more than one C-Box is selected, the queue occupancy counter counts the total number of occupied entries in all selected C-Box NCB header buffers.
- **NOTE:** 1 buffer per C-Box, 2 entries each.

Extension	umask [15:8]	Description
---	b00000	(*nothing will be counted*)
CBOX0_5	bxxxx1	CBOX 0 and 5
CBOX1_6	bxxx1x	CBOX 1 and 6
CBOX2_7	bxx1xx	CBOX 2 and 7
CBOX3_8	bx1xxx	CBOX 3 and 8
CBOX4_9	b1xxxx	CBOX 4 and 9
ALL	b11111	All C-Boxes

**TO\_R\_NCS\_MSGQ\_CYCLES\_FULL**

- **Title:** Cycles System Bound NCS Message Queue Full.
- **Category:** System Bound Queue
- **Event Code:** 0x14, **Max. Inc/Cyc:** 1,
- **Definition:** Number of cycles in which the header buffer for the selected C-Box, containing NCS messages heading to a System Agent (through the R-Box), is full. Only one C-Box's NCS header buffer should be selected for the buffer full checking to be correct, else the result is undefined.

Extension	umask [15:8]	Description
---	b00000	(*nothing will be counted*)
CBOX0_5	bxxxx1	CBOX 0 and 5
CBOX1_6	bxxx1x	CBOX 1 and 6
CBOX2_7	bxx1xx	CBOX 2 and 7
CBOX3_8	bx1xxx	CBOX 3 and 8
CBOX4_9	b1xxxx	CBOX 4 and 9
ALL	b11111	All C-Boxes

**TO\_R\_NCS\_MSGQ\_CYCLES\_NE**

- **Title:** Cycles System Bound NCS Message Queue Not Empty
- **Category:** System Bound Queue
- **Event Code:** 0x15, **Max. Inc/Cyc:** 1,
- **Definition:** Number of cycles in which the header buffer for the selected C-Box, containing NCS messages heading to a System Agent (through the R-Box), has one or more entries allocated. When more than one C-Box is selected, the event is asserted when any of the selected C-Box NCS header buffers are not empty.

Extension	umask [15:8]	Description
---	b00000	(*nothing will be counted*)
CBOX0_5	bxxxx1	CBOX 0 and 5
CBOX1_6	bxxx1x	CBOX 1 and 6
CBOX2_7	bxx1xx	CBOX 2 and 7
CBOX3_8	bx1xxx	CBOX 3 and 8
CBOX4_9	b1xxxx	CBOX 4 and 9
ALL	b11111	All C-Boxes

**TO\_R\_NCS\_MSGQ\_OCCUPANCY**

- **Title:** System Bound NCS Message Queue Occupancy
- **Category:** System Bound Queue
- **Event Code:** 0x16, **Max. Inc/Cyc:** 2,
- **Definition:** Number of entries in the header buffer for the selected C-Box, containing NCS messages heading to a System Agent (through the R-Box). When more than one C-Box is selected, the queue occupancy counter counts the total number of occupied entries in all selected C-Box NCS header buffers.
- **NOTE:** 1 buffer per C-Box, 2 entries each.

Extension	umask [15:8]	Description
---	b00000	(*nothing will be counted*)
CBOX0_5	bxxxx1	CBOX 0 and 5
CBOX1_6	bxxx1x	CBOX 1 and 6
CBOX2_7	bxx1xx	CBOX 2 and 7
CBOX3_8	bx1xxx	CBOX 3 and 8
CBOX4_9	b1xxxx	CBOX 4 and 9
ALL	b11111	All C-Boxes

**TO\_R\_NDR\_MSGQ\_CYCLES\_FULL**

- **Title:** Cycles System Bound NDR Message Queue Full
- **Category:** System Bound Queue
- **Event Code:** 0x0B, **Max. Inc/Cyc:** 1,
- **Definition:** Number of cycles in which the header buffer, containing NDR messages heading to a System Agent (through the R-Box), is full.



**TO\_R\_NDR\_MSGQ\_CYCLES\_NE**

- **Title:** Cycles System Bound NDR Message Queue Not Empty
- **Category:** System Bound Queue
- **Event Code:** 0x0C, **Max. Inc/Cyc:** 1,
- **Definition:** Number of cycles in which the header buffer, containing NDR messages heading to a System Agent (through the R-Box), has one or more entries allocated.

**TO\_R\_NDR\_MSGQ\_OCCUPANCY**

- **Title:** System Bound NDR Message Queue Occupancy
- **Category:** System Bound Queue
- **Event Code:** 0x0D, **Max. Inc/Cyc:** 16,
- **Definition:** Number of entries in the header buffer, containing NDR messages heading to a System Agent (through the R-Box).

**TO\_R\_PROG\_EV**

- **Title:** System Bound Programmable Event
- **Category:** System Bound Queue
- **Event Code:** 0x00, **Max. Inc/Cyc:** 1,
- **Definition:** Programmable Event heading to a System Agent (through the R-Box). Match/Mask on criteria set in S\_MSR\_MATCH/MASK registers (Refer to [Section 2.5.3.4, "S-Box Registers for Mask/Match Facility"](#)).

**TO\_R\_B\_REQUESTS**

- **Title:** System Bound Requests
- **Category:** System Bound Transmission
- **Event Code:** 0x6C, **Max. Inc/Cyc:** 1,
- **Definition:** Socket request (both B-Boxes). Local means request is targeted towards the B-Boxes in the same socket. Requests to the U-Box in the same socket are considered remote. The S-Box checks for Home NID[4:2] equal to S-Box NID[4:2] and Home NID[0] equal to 1.

Extension	umask [15:8]	Description
---	b00	(*nothing will be counted*)
LOCAL	b01	Local
REMOTE	b10	Remote
ALL	b11	Local And Remote

**TO\_R\_SNP\_MSGQ\_CYCLES\_FULL**

- **Title:** Cycles System Bound SNP Message Queue Full
- **Category:** System Bound Queue
- **Event Code:** 0x08, **Max. Inc/Cyc:** 1,
- **Definition:** Number of cycles in which the header buffer, containing SNP messages heading to a System Agent (through the R-Box), is full.

**TO\_R\_SNP\_MSGQ\_CYCLES\_NE**

- **Title:** Cycles System Bound SNP Message Queue Not Empty
- **Category:** System Bound Queue
- **Event Code:** 0x09, **Max. Inc/Cyc:** 1,
- **Definition:** Number of cycles in which the header buffer, containing SNP messages heading to a System Agent (through the R-Box), has one or more entries allocated.

## TO\_R\_SNP\_MSGQ\_OCCUPANCY

- **Title:** System Bound SNP Message Queue Occupancy
- **Category:** System Bound Queue
- **Event Code:** 0x0A, **Max. Inc/Cyc:** 32,
- **Definition:** Number of entries in the header buffer, containing SNP messages heading to a System Agent (through the R-Box).

## 2.6 R-Box Performance Monitoring

### 2.6.1 Overview of the R-Box

The Crossbar Router (R-Box) is a 8 port switch/router implementing the Intel® QuickPath Interconnect Link and Routing layers. The R-Box is responsible for routing and transmitting all intra- and inter-processor communication.

The on-die agents include two B-Boxes (ports 4/7), two S-boxes (ports 2/6) and the U-Box (which shares a connection with B-Box1 on Port7). The R-Box connects to these through full flit 80b links. Ports 0,1,4 and 5 are connected to external Intel QPI agents (through P-boxes also known as the physical layers), also through full flit 80b links.

The R-Box consists of 8 identical ports and a wire crossbar that connects the ports together. Each port contains three main sections as shown in the following figure: the input port, the output port, and the arbitration control.

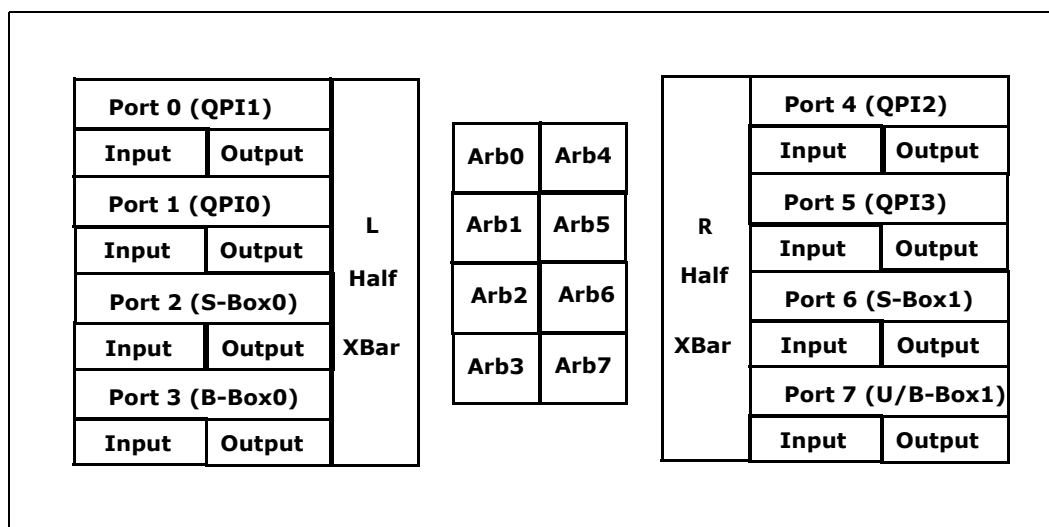


Figure 2-1. R-Box Block Diagram

#### 2.6.1.1 R-Box Input Port

The R-Box input port is responsible for storing incoming packets from the B and S-Boxes as well as off-chip requests using the Intel® QuickPath Interconnect protocol. Data from each packet header is consolidated and sent to the R-Box arbiter.

R-Box input ports have two structures of important to performance monitoring; Entry overflow table (EOT) and Entry Table (ET). R-Box PMU supports performance monitoring in these two structures.

### 2.6.1.2 R-Box Arbitration Control

The R-Box arbitration control is responsible for selecting when packets move from the input ports to the output ports and which output port they go to if there are multiple options specified.

R-Box arbitration does not have any storage structures. This part of the logic basically determines which port to route the packet and then arbitrate to secure a route to that port through the cross-bar.

The arbitration is done at 3 levels: queue, port and global arbitration. R-Box PMUs support performance monitoring at the arbitration control.

### 2.6.1.3 R-Box Output Port

The R-Box output port acts as a virtual wire that is responsible for de-coupling the crossbar from further downstream paths to on-chip or off-chip ports while carrying out the Link layer functions.

### 2.6.1.4 R-Box Link Layer Resources

Each R-Box port supports up to three virtual networks (VN0, VN1, and VNA) as defined by the *Intel® QuickPath Interconnect Specification*. The following table specifies the port resources.

**Table 2-38. Input Buffering Per Port**

Message Class	Abbr	VNA		VN0		VN1	
		Pkts	Flits	Pkts	Flits	Pkts	Flits
Home	HOM		96	1	1	1	1
Snoop	SNP			1	1	1	1
Non-Data Response	NDR			1	1	1	1
Data Response	DRS			1	up to 11	1	up to 11
Non-Coherent Standard	NCS			1	up to 3	1	up to 3
Non-Coherent Bypass	NCB			1	up to 11	1	up to 11

## 2.6.2 R-Box Performance Monitoring Overview

The R-Box supports performance event monitoring through its Performance Monitoring Unit (PMU). At a high level, the R-Box PMU supports features comparable to other uncore PMUs. R-Box PMUs support both Global and Local PMU freeze/unfreeze. R-Box PMUs are accessible through Machine Specific Registers (MSRs). R-Box PMU consists of 16 48b-wide performance monitoring data counters and a collection of other peripheral control registers.

For information on how to setup a monitoring session, refer to [Section 2.1.3, "Setting up a Monitoring Session"](#).

The counters, along with the control register paired with each one, are split. Half of the counters (0-7) can monitor events occurring on the 'left' side of the R-Box (ports 0-3) and the other half (8-15) monitor ports 4-7 on the 'right' side.

Since the R-Box consists of 12 almost identical ports, R-Box perfmon events consist of an identical set of events for each port. The R-Box perfmon usage model allows monitoring of multiple ports at the same time. R-Box PMUs do not provide any global performance monitoring events.

However, unlike many other uncore boxes, event programming in the R-Box is hierarchical. It is necessary to program multiple MSRs to select the event to be monitored. In order to program an event, each of the control registers for its accompanying counter must be redirected to a subcontrol register

attached to a specific port. Each control register can be redirected to one of 2 IPERF control registers (for RIX events), one of 2 fields in a QLX control register or one of 2 mask/match registers. Therefore, it is possible to monitor up to two of any event per port.

The R-Box also includes a pair of mask/match registers on each port that allow a user to match packets serviced (packet is transferred from input to output port) by the R-Box according to various standard packet fields such as message class, opcode, etc.

### 2.6.2.1 Choosing An Event To Monitor - Example

- 1) Pick an event to monitor (e.g. FLITS\_SENT)
- 2) Pick a port to monitor on (e.g. QPI0)
- 3) Pick a generic counter (control+data) that can monitor an event on that port. (e.g R\_MSR\_PMON\_CTL/CTR3)
- 4) Pick one of the two sub counters that allows a user to monitor the event (R\_MSR\_PORT1\_IPERF1), program it to monitor the chosen event (R\_MSR\_PORT1\_IPERF1[31] = 0x1) and set the generic control to point to it (R\_MSR\_PMON\_CTL3.ev\_sel == 0x7).
- 5) Enable the counter (e.g. R\_MSR\_PMON\_CTL3.en == 0x1)

### 2.6.2.2 R-Box PMU - Overflow, Freeze and Unfreeze

If an overflow is detected from a R-Box performance counter, the overflow bit is set at the box level (R\_MSR\_PMON\_GLOBAL\_STATUS\_15\_8.ov for the R side and R\_MSR\_PMON\_GLOBAL\_STATUS\_7\_0.ov for the L), and forwarded up the chain towards the U-Box. If counter overflows in the left R-Box, a notification is sent and stored in S-Box0 (S\_MSR\_PMON\_SUMMARY.ov\_r) which, in turn, sends the overflow notification up to the U-Box (U\_MSR\_PMON\_GLOBAL\_STATUS.ov\_s0). Refer to [Table 2-26, "S\\_MSR\\_PMON\\_SUMMARY Register Fields"](#) to determine how each R-Box's overflow bit is accumulated in the attached S-Box.

HW can be also configured (by setting the corresponding *.pmi\_en* to 1) to send a PMI to the U-Box when an overflow is detected. The U-Box may be configured to freeze all uncore counting and/or send a PMI to selected cores when it receives this signal.

Once a freeze has occurred, in order to see a new freeze, the overflow field responsible for the freeze, must be cleared by setting the corresponding bit in R\_MSR\_PMON\_GLOBAL\_OVF\_CTL.clr\_ov. Assuming all the counters have been locally enabled (.en bit in data registers meant to monitor events) and the overflow bit(s) has been cleared, the R-Box is prepared for a new sample interval. Once the global controls have been re-enabled ([Section 2.1.5, "Enabling a New Sample Interval from Frozen Counters"](#)), counting will resume.

## 2.6.3 R-BOX Performance Monitors

**Table 2-39. R-Box Performance Monitoring MSRs**

MSR Name	Access	MSR Address	Size (bits)	Description
R_MSR_PORT7_XBR_SET2_MASK	RW_NA	0x0E9E	64	R-Box Port 7 Mask 2
R_MSR_PORT7_XBR_SET2_MATCH	RW_NA	0x0E9D	64	R-Box Port 7 Match 2
R_MSR_PORT7_XBR_SET2_MM_CFG	RW_NA	0x0E9C	64	R-Box Port 7 Mask/Match Config 2
R_MSR_PORT7_XBR_SET1_MASK	RW_NA	0x0E8E	64	R-Box Port 7 Mask 1
R_MSR_PORT7_XBR_SET1_MATCH	RW_NA	0x0E8D	64	R-Box Port 7 Match 1
R_MSR_PORT7_XBR_SET1_MM_CFG	RW_NA	0x0E8C	64	R-Box Port 7 Mask/Match Config 1

MSR Name	Access	MSR Address	Size (bits)	Description
R_MSR_PORT6_XBR_SET2_MASK	RW_NA	0x0E9A	64	R-Box Port 6 Mask 2
R_MSR_PORT6_XBR_SET2_MATCH	RW_NA	0x0E99	64	R-Box Port 6 Match 2
R_MSR_PORT6_XBR_SET2_MM_CFG	RW_NA	0x0E98	64	R-Box Port 6 Mask/Match Config 2
R_MSR_PORT6_XBR_SET1_MASK	RW_NA	0x0E8A	64	R-Box Port 6 Mask 1
R_MSR_PORT6_XBR_SET1_MATCH	RW_NA	0x0E89	64	R-Box Port 6 Match 1
R_MSR_PORT6_XBR_SET1_MM_CFG	RW_NA	0x0E88	64	R-Box Port 6 Mask/Match Config 1
R_MSR_PORT5_XBR_SET2_MASK	RW_NA	0x0E96	64	R-Box Port 5 Mask 2
R_MSR_PORT5_XBR_SET2_MATCH	RW_NA	0x0E95	64	R-Box Port 5 Match 2
R_MSR_PORT5_XBR_SET2_MM_CFG	RW_NA	0x0E94	64	R-Box Port 5 Mask/Match Config 2
R_MSR_PORT5_XBR_SET1_MASK	RW_NA	0x0E86	64	R-Box Port 5 Mask 1
R_MSR_PORT5_XBR_SET1_MATCH	RW_NA	0x0E85	64	R-Box Port 5 Match 1
R_MSR_PORT5_XBR_SET1_MM_CFG	RW_NA	0x0E84	64	R-Box Port 5 Mask/Match Config 1
R_MSR_PORT4_XBR_SET2_MASK	RW_NA	0x0E92	64	R-Box Port 4 Mask 2
R_MSR_PORT4_XBR_SET2_MATCH	RW_NA	0x0E91	64	R-Box Port 4 Match 2
R_MSR_PORT4_XBR_SET2_MM_CFG	RW_NA	0x0E90	64	R-Box Port 4 Mask/Match Config 2
R_MSR_PORT4_XBR_SET1_MASK	RW_NA	0x0E82	64	R-Box Port 4 Mask 1
R_MSR_PORT4_XBR_SET1_MATCH	RW_NA	0x0E81	64	R-Box Port 4 Match 1
R_MSR_PORT4_XBR_SET1_MM_CFG	RW_NA	0x0E80	64	R-Box Port 4 Mask/Match Config 1
R_MSR_PORT3_XBR_SET2_MASK	RW_NA	0x0E7E	64	R-Box Port 3 Mask 2
R_MSR_PORT3_XBR_SET2_MATCH	RW_NA	0x0E7D	64	R-Box Port 3 Match 2
R_MSR_PORT3_XBR_SET2_MM_CFG	RW_NA	0x0E7C	64	R-Box Port 3 Mask/Match Config 2
R_MSR_PORT3_XBR_SET1_MASK	RW_NA	0x0E6E	64	R-Box Port 3 Mask 1
R_MSR_PORT3_XBR_SET1_MATCH	RW_NA	0x0E6D	64	R-Box Port 3 Match 1
R_MSR_PORT3_XBR_SET1_MM_CFG	RW_NA	0x0E6C	64	R-Box Port 3 Mask/Match Config 1
R_MSR_PORT2_XBR_SET2_MASK	RW_NA	0x0E7A	64	R-Box Port 2 Mask 2
R_MSR_PORT2_XBR_SET2_MATCH	RW_NA	0x0E79	64	R-Box Port 2 Match 2
R_MSR_PORT2_XBR_SET2_MM_CFG	RW_NA	0x0E78	64	R-Box Port 2 Mask/Match Config 2
R_MSR_PORT2_XBR_SET1_MASK	RW_NA	0x0E6A	64	R-Box Port 2 Mask 1
R_MSR_PORT2_XBR_SET1_MATCH	RW_NA	0x0E69	64	R-Box Port 2 Match 1
R_MSR_PORT2_XBR_SET1_MM_CFG	RW_NA	0x0E68	64	R-Box Port 2 Mask/Match Config 1
R_MSR_PORT1_XBR_SET2_MASK	RW_NA	0x0E76	64	R-Box Port 1 Mask 2
R_MSR_PORT1_XBR_SET2_MATCH	RW_NA	0x0E75	64	R-Box Port 1 Match 2
R_MSR_PORT1_XBR_SET2_MM_CFG	RW_NA	0x0E74	64	R-Box Port 1 Mask/Match Config 2
R_MSR_PORT1_XBR_SET1_MASK	RW_NA	0x0E66	64	R-Box Port 1 Mask 1
R_MSR_PORT1_XBR_SET1_MATCH	RW_NA	0x0E65	64	R-Box Port 1 Match 1
R_MSR_PORT1_XBR_SET1_MM_CFG	RW_NA	0x0E64	64	R-Box Port 1 Mask/Match Config 1

MSR Name	Access	MSR Address	Size (bits)	Description
R_MSR_PORT0_XBR_SET2_MASK	RW_NA	0x0E72	64	R-Box Port 0 Mask 2
R_MSR_PORT0_XBR_SET2_MATCH	RW_NA	0x0E71	64	R-Box Port 0 Match 2
R_MSR_PORT0_XBR_SET2_MM_CFG	RW_NA	0x0E70	64	R-Box Port 0 Mask/Match Config 2
R_MSR_PORT0_XBR_SET1_MASK	RW_NA	0x0E62	64	R-Box Port 0 Mask 1
R_MSR_PORT0_XBR_SET1_MATCH	RW_NA	0x0E61	64	R-Box Port 0 Match 1
R_MSR_PORT0_XBR_SET1_MM_CFG	RW_NA	0x0E60	64	R-Box Port 0 Mask/Match Config 1
R_MSR_PMON_CTR15	RW_RW	0x0E3F	64	R-Box PMON Counter 15
R_MSR_PMON_CTL15	RW_NA	0x0E3E	64	R-Box PMON Control 15
R_MSR_PMON_CTR14	RW_RW	0x0E3D	64	R-Box PMON Counter 14
R_MSR_PMON_CTL14	RW_NA	0x0E3C	64	R-Box PMON Control 14
R_MSR_PMON_CTR13	RW_RW	0x0E3B	64	R-Box PMON Counter 13
R_MSR_PMON_CTL13	RW_NA	0x0E3A	64	R-Box PMON Control 13
R_MSR_PMON_CTR12	RW_RW	0x0E39	64	R-Box PMON Counter 12
R_MSR_PMON_CTL12	RW_NA	0x0E38	64	R-Box PMON Control 12
R_MSR_PMON_CTR11	RW_RW	0x0E37	64	R-Box PMON Counter 11
R_MSR_PMON_CTL11	RW_NA	0x0E36	64	R-Box PMON Control 11
R_MSR_PMON_CTR10	RW_RW	0x0E35	64	R-Box PMON Counter 10
R_MSR_PMON_CTL10	RW_NA	0x0E34	64	R-Box PMON Control 10
R_MSR_PMON_CTR9	RW_RW	0x0E33	64	R-Box PMON Counter 9
R_MSR_PMON_CTL9	RW_NA	0x0E32	64	R-Box PMON Control 9
R_MSR_PMON_CTR8	RW_RW	0x0E31	64	R-Box PMON Counter 8
R_MSR_PMON_CTL8	RW_NA	0x0E30	64	R-Box PMON Control 8
R_MSR_PORT7_QLX_CFG	RW_NA	0x0E2F	32	R-Box Port 7 QLX Perf Event Cfg
R_MSR_PORT6_QLX_CFG	RW_NA	0x0E2E	32	R-Box Port 6 QLX Perf Event Cfg
R_MSR_PORT5_QLX_CFG	RW_NA	0x0E2D	32	R-Box Port 5 QLX Perf Event Cfg
R_MSR_PORT4_QLX_CFG	RW_NA	0x0E2C	32	R-Box Port 4 QLX Perf Event Cfg
R_MSR_PORT7_IPERF_CFG1	RW_NA	0x0E2B	32	R-Box Port 7 RIX Perf Event Cfg 1
R_MSR_PORT6_IPERF_CFG1	RW_NA	0x0E2A	32	R-Box Port 6 RIX Perf Event Cfg 1
R_MSR_PORT5_IPERF_CFG1	RW_NA	0x0E29	32	R-Box Port 5 RIX Perf Event Cfg 1
R_MSR_PORT4_IPERF_CFG1	RW_NA	0x0E28	32	R-Box Port 4 RIX Perf Event Cfg 1
R_MSR_PORT3_IPERF_CFG1	RW_NA	0x0E27	32	R-Box Port 3 RIX Perf Event Cfg 1
R_MSR_PORT2_IPERF_CFG1	RW_NA	0x0E26	32	R-Box Port 2 RIX Perf Event Cfg 1
R_MSR_PORT1_IPERF_CFG1	RW_NA	0x0E25	32	R-Box Port 1 RIX Perf Event Cfg 1
R_MSR_PORT0_IPERF_CFG1	RW_NA	0x0E24	32	R-Box Port 0 RIX Perf Event Cfg 1
R_MSR_PMON_OVF_CTL_15_8	RW1C_WO	0x0E22	32	R-Box PMON Overflow Ctrl for ctrs 15:8
R_MSR_PMON_GLOBAL_STATUS_15_8	RO_WO	0x0E21	32	R-Box PMON Global Status for ctrs 15:8

MSR Name	Access	MSR Address	Size (bits)	Description
R_MSR_PMON_GLOBAL_CTL_15_8	RW_NA	0x0E20	32	R-Box PMON Global Control Counters 15:8
R_MSR_PMON_CTR7	RW_RW	0x0E1F	64	R-Box PMON Counter 7
R_MSR_PMON_CTL7	RW_NA	0x0E1E	64	R-Box PMON Control 7
R_MSR_PMON_CTR6	RW_RW	0x0E1D	64	R-Box PMON Counter 6
R_MSR_PMON_CTL6	RW_NA	0x0E1C	64	R-Box PMON Control 6
R_MSR_PMON_CTR5	RW_RW	0x0E1B	64	R-Box PMON Counter 5
R_MSR_PMON_CTL5	RW_NA	0x0E1A	64	R-Box PMON Control 5
R_MSR_PMON_CTR4	RW_RW	0x0E19	64	R-Box PMON Counter 4
R_MSR_PMON_CTL4	RW_NA	0x0E18	64	R-Box PMON Control 4
R_MSR_PMON_CTR3	RW_RW	0x0E17	64	R-Box PMON Counter 3
R_MSR_PMON_CTL3	RW_NA	0x0E16	64	R-Box PMON Control 3
R_MSR_PMON_CTR2	RW_RW	0x0E15	64	R-Box PMON Counter 2
R_MSR_PMON_CTL2	RW_NA	0x0E14	64	R-Box PMON Control 2
R_MSR_PMON_CTR1	RW_RW	0x0E13	64	R-Box PMON Counter 1
R_MSR_PMON_CTL1	RW_NA	0x0E12	64	R-Box PMON Control 1
R_MSR_PMON_CTR0	RW_RW	0x0E11	64	R-Box PMON Counter 0
R_MSR_PMON_CTL0	RW_NA	0x0E10	64	R-Box PMON Control 0
R_MSR_PORT3_QLX_CFG	RW_NA	0x0E0F	32	R-Box Port 3 QLX Perf Event Cfg
R_MSR_PORT2_QLX_CFG	RW_NA	0x0E0E	32	R-Box Port 2 QLX Perf Event Cfg
R_MSR_PORT1_QLX_CFG	RW_NA	0x0E0D	32	R-Box Port 1 QLX Perf Event Cfg
R_MSR_PORT0_QLX_CFG	RW_NA	0x0E0C	32	R-Box Port 0 QLX Perf Event Cfg
R_MSR_PORT7_IPERF_CFG0	RW_NA	0x0E0B	32	R-Box Port 7 RIX Perf Event Cfg 0
R_MSR_PORT6_IPERF_CFG0	RW_NA	0x0E0A	32	R-Box Port 6 RIX Perf Event Cfg 0
R_MSR_PORT5_IPERF_CFG0	RW_NA	0x0E09	32	R-Box Port 5 RIX Perf Event Cfg 0
R_MSR_PORT4_IPERF_CFG0	RW_NA	0x0E08	32	R-Box Port 4 RIX Perf Event Cfg 0
R_MSR_PORT3_IPERF_CFG0	RW_NA	0x0E07	32	R-Box Port 3 RIX Perf Event Cfg 0
R_MSR_PORT2_IPERF_CFG0	RW_NA	0x0E06	32	R-Box Port 2 RIX Perf Event Cfg 0
R_MSR_PORT1_IPERF_CFG0	RW_NA	0x0E05	32	R-Box Port 1 RIX Perf Event Cfg 0
R_MSR_PORT0_IPERF_CFG0	RW_NA	0x0E04	32	R-Box Port 0 RIX Perf Event Cfg 0
R_MSR_PMON_OVF_CTL_15_8	RW1C_WO	0x0E02	32	R-Box PMON Overflow Ctrl for ctrs 7:0
R_MSR_PMON_GLOBAL_STATUS_7_0	RO_WO	0x0E01	32	R-Box PMON Global Status for ctrs 7:0
R_MSR_PMON_GLOBAL_CTL_7_0	RW_NA	0x0E00	32	R-Box PMON Global Control Counters 7:0

### 2.6.3.1 R-Box Performance Monitors To Port Mapping

**Table 2-40. R-Box Port Map**

Port ID	R-Box Port#	L/R Box	PMU Cnt 0-7	PMU Cnt 8-15	IPERF Addresses	ARB_PERF Addresses	Match/Mask Addresses
QPI1	0	L	b000	NA	0xE24,0xE04	0xE0C	0xE72-0xE70, 0xE62-0xE60
QPI0	1	L	b001	NA	0xE25,0xE05	0xE0D	0xE76-0xE74, 0xE66-0xE64
S-Box0	2	L	b010	NA	0xE26,0xE06	0xE0E	0xE7A-0xE78, 0xE6A-0xE68
B-Box0	3	L	b011	NA	0xE27,0xE07	0xE0F	0xE7E-0xE7C, 0xE6E-0xE6C
QPI2	4	R	NA	b100	0xE28,0xE08	0xE2C	0xE92-0xE90, 0xE82-0xE80
QPI3	5	R	NA	b000	0xE29,0xE09	0xE2D	0xE96-0xE94, 0xE86-0xE84
S-Box1	6	R	NA	b001	0xE2A,0xE0A	0xE2E	0xE9A-0xE98, 0xE8A-0xE88
U/B-Box1	7	R	NA	b010	0xE2B,0xE0B	0xE2F	0xE9E-0xE9C, 0xE8E-0xE8C

### 2.6.3.2 R-Box Box Level PMON state

The following registers represent the state governing all box-level PMUs in the R-Box.

The `_GLOBAL_CTL` register contains the bits used to enable monitoring. It is necessary to set the `.ctr_en` bit to 1 before the corresponding data register can collect events.

If an overflow is detected from one of the R-Box PMON registers, the corresponding bit in the `_GLOBAL_STATUS.ov` field will be set. To reset the overflow bits set in the `_GLOBAL_STATUS.ov` field, a user must set the corresponding bits in the `_GLOBAL_OVF_CTL.clr_ov` field before beginning a new sample interval.

**Table 2-41. R\_MSR\_PMON\_GLOBAL\_CTL\_{15\_8, 7\_0} Register Fields**

Field	Bits	HW Reset Value	Description
<code>ctr_en</code>	7:0	0	Must be set to enable each RBOX counter (bit 0 to enable ctr0, etc) NOTE: U-Box enable and per counter enable must also be set to fully enable the counter.

**Table 2-42. R\_MSR\_PMON\_GLOBAL\_STATUS\_{15\_8, 7\_0} Register Fields**

Field	Bits	HW Reset Value	Description
<code>ov</code>	7:0	0	If an overflow is detected from the corresponding RBOX PMON register, it's overflow bit will be set.



**Table 2-43. R\_MSR\_PMON\_OVF\_CTL\_{15\_8, 7\_0} Register Fields**

Field	Bits	HW Reset Value	Description
clr_ov	7:0	0	Writing bit in field to '1' will clear the corresponding overflow bit in R_CSR_PMON_GLOBAL_STATUS_{15_8,7_0} to 0.

### 2.6.3.3 R-Box PMON state - Counter/Control Pairs + Filters

The following table defines the layout of the R-Box performance monitor control registers. The main task of these configuration registers is to select the subcontrol register that selects the event to be monitored by the respective data counter. Setting the `.ev_sel/` fields performs the subcontrol register selection. The `.en` bit must be set to 1 to enable counting.

Additional control bits include:

- `.pmi_en` governs what to do if an overflow is detected.

**Table 2-44. R\_MSR\_PMON\_CTL{15-0} Register – Field Definitions**

Field	Bits	HW Reset Value	Description
ig	63	0	Read zero; writes ignored.
rsv	62:61	0	Reserved; Must write to 0 else behavior is undefined.
ig	60:7	0	Read zero; writes ignored.
pmi_en	6	0	When this bit is asserted and the corresponding counter overflows, a PMI exception is sent to the U-Box.
ev_sel	5:1	0	Event Select  For the R-Box this means choosing which sub register contains the actual event select. Each control register can redirect the event select to one of 3 sets of registers: QLX, RIX or Mask/Match registers. It can further select from one of two subselect fields (either in the same or different registers).  And finally, each control can 'listen' to events occurring on one of 4 ports. The first 8 control registers can refer to the first 4 ports and the last 8 control  So, for example: RP_CR_R_CSR_PMON_CTL9 can refer to R_CSR_PORT{4-7}_IPERF{0-1}
en	0	0	Local Counter Enable. When set, the associated counter is locally enabled. NOTE: It must also be enabled in the governing R_MSR_PMON_GLOBAL_CTL register and the U-Box to be fully enabled.

**Table 2-45. R\_MSR\_PMON\_CTL{15-8} Event Select**

Name	Code	Description
PORT4_IPERF0	0x00	Select Event Configured in R_CSR_PORT4_IPERF0
PORT4_IPERF1	0x01	Select Event Configured in R_CSR_PORT4_IPERF1
PORT4_QLX0	0x02	Select Event Configured in R_CSR_PORT4_QLX_EVENT_CFG[*0]
PORT4_QLX1	0x03	Select Event Configured in R_CSR_PORT4_QLX_EVENT_CFG[*1]
PORT4_XBAR_MM1	0x04	Set1 Port4 XBAR Mask/Match
PORT4_XBAR_MM2	0x05	Set2 Port4 XBAR Mask/Match
PORT5_IPERF0	0x06	Select Event Configured in R_CSR_PORT5_IPERF0
PORT5_IPERF1	0x07	Select Event Configured in R_CSR_PORT5_IPERF1
PORT5_QLX0	0x08	Select Event Configured in R_CSR_PORT5_QLX_EVENT_CFG[*0]
PORT5_QLX1	0x09	Select Event Configured in R_CSR_PORT5_QLX_EVENT_CFG[*1]
PORT5_XBAR_MM1	0x0A	Set1 Port5 XBAR Mask/Match
PORT5_XBAR_MM2	0x0B	Set2 Port5 XBAR Mask/Match
PORT6_IPERF0	0x0C	Select Event Configured in R_CSR_PORT6_IPERF0
PORT6_IPERF1	0x0D	Select Event Configured in R_CSR_PORT6_IPERF1
PORT6_QLX0	0x0E	Select Event Configured in R_CSR_PORT6_QLX_EVENT_CFG[*0]
PORT6_QLX1	0x0F	Select Event Configured in R_CSR_PORT6_QLX_EVENT_CFG[*1]
PORT6_XBAR_MM1	0x10	Set1 Port6 XBAR Mask/Match
PORT6_XBAR_MM2	0x11	Set2 Port6 XBAR Mask/Match
PORT7_IPERF0	0x12	Select Event Configured in R_CSR_PORT7_IPERF0
PORT7_IPERF1	0x13	Select Event Configured in R_CSR_PORT7_IPERF1
PORT7_QLX0	0x14	Select Event Configured in R_CSR_PORT7_QLX_EVENT_CFG[*0]
PORT7_QLX1	0x15	Select Event Configured in R_CSR_PORT7_QLX_EVENT_CFG[*1]
PORT7_XBAR_MM1	0x16	Set1 Port7 XBAR Mask/Match
PORT7_XBAR_MM2	0x17	Set2 Port7 XBAR Mask/Match
ILLEGAL	0x18-0x1F	(* illegal selection *)

**Table 2-46. R\_MSR\_PMON\_CTL{7-0} Event Select**

Name	Code	Description
PORT0_IPERF0	0x00	Select Event Configured in R_CSR_PORT0_IPERF0
PORT0_IPERF1	0x01	Select Event Configured in R_CSR_PORT0_IPERF1
PORT0_QLX0	0x02	Select Event Configured in R_CSR_PORT0_QLX_EVENT_CFG[*0]
PORT0_QLX1	0x03	Select Event Configured in R_CSR_PORT0_QLX_EVENT_CFG[*1]
PORT0_XBAR_MM1	0x04	Set1 Port0 XBAR Mask/Match
PORT0_XBAR_MM2	0x05	Set2 Port0 XBAR Mask/Match
PORT1_IPERF0	0x06	Select Event Configured in R_CSR_PORT1_IPERF0
PORT1_IPERF1	0x07	Select Event Configured in R_CSR_PORT1_IPERF1
PORT1_QLX0	0x08	Select Event Configured in R_CSR_PORT1_QLX_EVENT_CFG[*0]
PORT1_QLX1	0x09	Select Event Configured in R_CSR_PORT1_QLX_EVENT_CFG[*1]
PORT1_XBAR_MM1	0x0A	Set1 Port1 XBAR Mask/Match
PORT1_XBAR_MM2	0x0B	Set2 Port1 XBAR Mask/Match
PORT2_IPERF0	0x0C	Select Event Configured in R_CSR_PORT2_IPERF0
PORT2_IPERF1	0x0D	Select Event Configured in R_CSR_PORT2_IPERF1
PORT2_QLX0	0x0E	Select Event Configured in R_CSR_PORT2_QLX_EVENT_CFG[*0]
PORT2_QLX1	0x0F	Select Event Configured in R_CSR_PORT2_QLX_EVENT_CFG[*1]
PORT2_XBAR_MM1	0x10	Set1 Port2 XBAR Mask/Match
PORT2_XBAR_MM2	0x11	Set2 Port2 XBAR Mask/Match
PORT3_IPERF0	0x12	Select Event Configured in R_CSR_PORT3_IPERF0
PORT3_IPERF1	0x13	Select Event Configured in R_CSR_PORT3_IPERF1
PORT3_QLX0	0x14	Select Event Configured in R_CSR_PORT3_QLX_EVENT_CFG[*0]
PORT3_QLX1	0x15	Select Event Configured in R_CSR_PORT3_QLX_EVENT_CFG[*1]
PORT3_XBAR_MM1	0x16	Set1 Port3 XBAR Mask/Match
PORT3_XBAR_MM2	0x17	Set2 Port3 XBAR Mask/Match
ILLEGAL	0x18-0x1F	(* illegal selection *)

The R-Box performance monitor data registers are 48b wide. A counter overflow occurs when a carry out bit from bit 47 is detected. Software can force all uncore counting to freeze after N events by preloading a monitor with a count value of  $2^{48} - N$  and setting the control register to send a PMI to the U-Box. Upon receipt of the PMI, the U-Box will disable counting ( [Section 2.1.1, "Freezing on Counter Overflow"](#)). During the interval of time between overflow and global disable, the counter value will wrap and continue to collect events.

In this way, software can capture the precise number of events that occurred between the time uncore counting was enabled and when it was disabled (or 'frozen') with minimal skew.

If accessible, software can continuously read the data registers without disabling event collection.

**Table 2-47. R\_MSR\_PMON\_CTR{15-0} Register – Field Definitions**

Field	Bits	HW Reset Value	Description
event_count	47:0	0	48-bit performance event counter

### 2.6.3.4 R-Box IPERF Performance Monitoring Control Registers

The following table contains the events that can be monitored if one of the RIX (IPERF) registers was chosen to select the event.

**Table 2-48. R\_MSR\_PORT{7-0}\_IPERF\_CFG{1-0} Registers(Sheet 1 of 2)**

Field	Bits	HW Reset Value	Description
FLT_SENT	31	0x0	Flit Sent
NULL_IDLE	30	0x0	Null Idle Flit Sent
RETRYQ_OV	29	0x0	Retry Queue Overflowed in this Output Port.
RETRYQ_NE	28	0x0	Retry Queue Not Empty in this Output Port
OUTQ_OV	27	0x0	Output Queue Overflowed in this Output Port
OUTQ_NE	26	0x0	Output Queue Not Empty in this Output Port
RCVD_SPEC_FLT	25	0x0	Special Flit Received
RCVD_ERR_FLT	24	0x0	Flit Received which caused CRC Error
ig	23:22	0x0	Read zero; writes ignored.
MC_ROLL_ALLOC	21	0x0	Used with MC field. If set, every individual allocation of selected MC into EOT is reported. If 0, a 'rolling' count is reported (count whenever count overflows 7b count - val of 128) for selected MC's allocation into EOT.
MC	20:17	0x0	EOT Message Class Count 1000: Data Response - VN1 0111: Non-Coherent Standard 0110: Non-Coherent Bypass 0101: Snoop 0100: Data Response - VNO 0011: Non-Data Response 0010: Home VN1 0001: Home VNO
EOT_NE	16	0x0	Count cycles that EOT is not Empty
ARB_SEL	15:9	0x00	Allocation to Arb Select Bit Mask: 0b1XXXXXX: Home VNO 0bX1XXXXX: Home VN1 0bXX1XXXX: Snoop 0bXXX1XXX: Non-Data Response 0bXXXX1XX: Data Response - VNO/VN1 0bXXXXX1X: Non-Coherent Standard 0bXXXXXX1: Non-Coherent Bypass

**Table 2-48. R\_MSR\_PORT{7-0}\_IPERF\_CFG{1-0} Registers(Sheet 2 of 2)**

Field	Bits	HW Reset Value	Description
IQA_READ_OK	8	0x0	Bid wins arbitration. Read flit from IQA and drains to XBAR.
NEW_PVN	7:6	0x0	New Packet VN Select: Anded with result of New Packet Class Bit Mask.  11: VNA   VN1   VNO 10: VNA 01: VN1 00: VNO
NEW_PC	5:0	0x0	New Packet Class Bit Mask: Bit mask to select which packet types to count. Anded with New Packet VN Select.  b1XXXXX: Snoop bX1XXXX: Home bXX1XXX: Non-Data Response bXXX1XX: Data Response bXXXX1X: Non-Coherent Standard bXXXXX1: Non-Coherent Bypass

### 2.6.3.5 R-Box QLX Performance Monitoring Control Registers

The following table contains the events that can be monitored if one of the ARB registers was chosen to select the event.

**Table 2-49. R\_MSR\_PORT{7-0}\_QLX\_CFG Register Fields(Sheet 1 of 2)**

Field	Bits	HW Reset Value	Description
ig	31:16		Read zero; writes ignored.
ev1_sub	15	0x0	Performance Event 1 Sub-Class Select:  0: VNO 1: VN1
ev1_cls	14:12	0x0	Performance Event 1 Class Select:  000: HOM 001: SNP 010: NDR 011: NCS 100: DRS 101: NCB 110: VNA - Small 111: VNA - Large

**Table 2-49. R\_MSR\_PORT{7-0}\_QLX\_CFG Register Fields(Sheet 2 of 2)**

Field	Bits	HW Reset Value	Description
ev1_type	11:8	0x0	Performance Event 1 Type Select: 0000: Queue Arb Bid 0001: Local Arb Bid 0010: Global Arb Bid 0011: Queue Arb Fail 0100: Local Arb Fail 0101: Global Arb Fail 0110: Queue Arb Home Order Kill 0111: Local Arb Home Order Kill 1000: Global Arb Home Order Kill 1001: Target Available 1010: Starvation Detected 1011-1111: Reserved
ev0_sub	7	0x0	Performance Event 0Sub-Class Select: 0: VNO 1: VN1
ev0_cls	6:4	0x0	Performance Event 0 Class Select: 000: HOM 001: SNP 010: NDR 011: NCS 100: DRS 101: NCB 110: VNA - Small 111: VNA - Large
ev0_type	3:0	0x0	Performance Event 0 Type Select: 0000: Queue Arb Bid 0001: Local Arb Bid 0010: Global Arb Bid 0011: Queue Arb Fail 0100: Local Arb Fail 0101: Global Arb Fail 0110: Queue Arb Home Order Kill 0111: Local Arb Home Order Kill 1000: Global Arb Home Order Kill 1001: Target Available 1010: Starvation Detected 1011-1111: Reserved

### 2.6.3.6 R-Box Registers for Mask/Match Facility

In addition to generic event counting, each port of the R-Box provides two pairs of MATCH/MASK registers pair that allow a user to filter packet traffic serviced (crossing from an input port to an output port) by the R-Box according to the packet Opcode, Message Class, Response, HNID and Physical Address. Program the selected R-Box counter and IPERF subcounter to capture FLITS to capture the filter match as an event.

To use the match/mask facility :

- a) Set the MM\_CFG (see [Table 2-50, "R\\_MSR\\_PORT{7-0}\\_XBR\\_SET{2-1}\\_MM\\_CFG Registers"](#)) *.dis* field (bit 63) to 0 and *.mm\_trig\_en* (bit 21) to 1.

NOTE: In order to monitor packet traffic, instead of the flit traffic associated with each packet, set `.match_flit_cnt` to 0x1.

b) Program the match/mask regs (see [Table 2-51, "R\\_MSR\\_PORT{7-0}\\_XBR\\_SET{2-1}\\_MATCH Registers"](#) and [Table 2-52, "R\\_MSR\\_PORT{7-0}\\_XBR\\_SET{2-1}\\_MASK Registers"](#)).

c) Set the counter's control register event select to the appropriate IPERF subcontrol register and set the IPERF register's event select to 0x31 (TO\_R\_PROG\_EV) to capture the mask/match as a performance event.

**Table 2-50. R\_MSR\_PORT{7-0}\_XBR\_SET{2-1}\_MM\_CFG Registers**

Field	Bits	HW Reset Value	Description
dis	63	0x0	Disable; Set to 0 to enable use by PMUs.
ig	62:22	0x0	Read zero; writes ignored.
mm_trig_en	21	0x0	Match/Mask trigger enable Set to 1 to enable mask/match trigger
ig_flit_cnt	20	0x0	Ignore flit count Set to ignore match_flit_cnt field
match_flit_cnt	19:16	0x0	Match flit count Set number of flit count in a packet on which to trigger a match event. Ex: Set to '0001' to match on first flit.
match_71_64	15:8	0x0	upper 8 bits [71:64] of match data
mask_71_64	7:0	0x0	upper 8 bits [71:64] of mask data

The following table contains the packet traffic that can be monitored if one of the mask/match registers was chosen to select the event.

**Table 2-51. R\_MSR\_PORT{7-0}\_XBR\_SET{2-1}\_MATCH Registers**

Field	Bits	HW Reset Value	Description
---	63:52	0x0	Reserved; Must write to 0 else behavior is undefined.
RDS	51:48	0x0	Response Data State (valid when MC == DRS and Opcode == 0x0-2). Bit settings are mutually exclusive.  b1000 - Modified b0100 - Exclusive b0010 - Shared b0001 - Forwarding b0000 - Invalid (Non-Coherent)
---	47:36	0x0	Reserved; Must write to 0 else behavior is undefined.
RNID	35:31	0x0	Remote Node ID
---	30:18	0x0	Reserved; Must write to 0 else behavior is undefined.
DNID	17:13	0x0	Destination Node ID
MC	12:9	0x0	Message Class  b0000 HOM - Requests b0001 HOM - Responses b0010 NDR b0011 SNP b0100 NCS --- b1100 NCB --- b1110 DRS
OPC	8:5	0x0	Opcode  DRS,NCB: [8] Packet Size, 0 == 9 flits, 1 == 11 flits  NCS: [8] Packet Size, 0 == 1 or 2 flits, 1 == 3 flits  See <a href="#">Section 2.9, "Packet Matching Reference"</a> for a listing of opcodes that may be filtered per message class.
VNW	4:3	0x0	Virtual Network  b00 - VN0 b01 - VN1 b1x - VNA
---	2:0	0x0	Reserved; Must write to 0 else behavior is undefined.



**Table 2-52. R\_MSR\_PORT{7-0}\_XBR\_SET{2-1}\_MASK Registers**

Field	Bits	HW Reset Value	Description
---	63:52	0x0	Reserved; Must write to 0 else behavior is undefined.
RDS	51:48	0x0	Response Data State (for certain DRS messages)
---	47:36	0x0	Reserved; Must write to 0 else behavior is undefined.
RNID	35:31	0x0	Remote Node ID
---	30:18	0x0	Reserved; Must write to 0 else behavior is undefined.
DNID	17:13	0x0	Destination Node ID
MC	12:9	0x0	Message Class
OPC	8:5	0x0	Opcode  See <a href="#">Section 2.9, "Packet Matching Reference"</a> for a listing of opcodes that may be filtered per message class.
VNW	4:3	0x0	Virtual Network
---	2:0	0x0	Reserved; Must write to 0 else behavior is undefined.

Following is a selection of common events that may be derived by using the R-Box packet matching facility.

**Table 2-53. Message Events Derived from the Match/Mask filters**

Field	Match [15:0]	Mask [15:0]	Description
DRS.AnyDataC	0x1C00	0x1F80	Any Data Response message containing a cache line in response to a core request. The AnyDataC messages are only sent to an S-Box. The metric DRS.AnyResp - DRS.AnyDataC will compute the number of DRS writeback and non snoop write messages.
DRS.DataC_M	0x1C00 && Match [51:48] 0x8	0x1FE0 && Mask [51:48] 0xF	Data Response message of a cache line in M state that is response to a core request. The DRS.DataC_M messages are only sent to S-Boxes.
DRS.WbIData	0x1C80	0x1FE0	Data Response message for Write Back data where cacheline is set to the I state.
DRS.WbSData	0x1CA0	0x1FE0	Data Response message for Write Back data where cacheline is set to the S state.
DRS.WbEData	0x1CC0	0x1FE0	Data Response message for Write Back data where cacheline is set to the E state.
DRS.AnyResp	0x1C00	0x1E00	Any Data Response message. A DRS message can be either 9 flits for a full cache line or 11 flits for partial data.
DRS.AnyResp9flits	0x1C00	0x1F00	Any Data Response message that is 11 flits in length. An 11 flit DRS message contains partial data. Each 8 byte chunk contains an enable field that specifies if the data is valid.
DRS.AnyResp11flits	0x1D00	0x1F00	Any Non Data Response completion message. A NDR message is 1 on flit.

**Table 2-53. Message Events Derived from the Match/Mask filters**

Field	Match [15:0]	Mask [15:0]	Description
NCB.AnyMsg9flits	0x1800	0x1F00	Any Non-Coherent Bypass message that is 9 flits in length. A 9 flit NCB message contains a full 64 byte cache line.
NCB.AnyMsg11flits	0x1900	0x1F00	Any Non-Coherent Bypass message that is 11 flits in length. An 11 flit NCB message contains either partial data or an interrupt. For NCB 11 flit data messages, each 8 byte chunk contains an enable field that specifies if the data is valid.
NCB.AnyInt	0x1900	0x1F80	Any Non-Coherent Bypass interrupt message. NCB interrupt messages are 11 flits in length.

**NOTE:** Bits 71:16 of the match/mask must be 0 in order to derive these events (except where noted - see DRS.DataC\_M). Also the match/mask configuration register should be set to 0x00210000 (bits 21 and 16 set).

## 2.6.4 R-BOX Performance Monitoring Events

### 2.6.4.1 An Overview:

The R-Box events provide information on topics such as: a breakdown of traffic as it flows through each of the R-Box's ports (NEW\_PACKETS\_RECV), raw flit traffic (i.e. FLITS\_RECV\_ERR or FLITS\_SENT), incoming transactions entered into arbitration for outgoing ports (ALLOC\_TO\_ARB), transactions that fail arbitration (GLOBAL\_ARB\_BID\_FAIL), tracking status of various queues (OUTPUTQ\_NE), etc.

In addition, the R-Box provides the ability to match/mask against ALL flit traffic that leaves the R-Box. This is particularly useful for calculating link utilization, throughput and packet traffic broken down by opcode and message class.

## 2.6.5 R-Box Events Ordered By Code

Table 2-54 summarizes the directly-measured R-Box events.

**Table 2-54. Performance Monitor Events for R-Box Events**

Symbol Name	Event Code	Max Inc/ Cyc	Description
<b>RIX Events</b>		<b>IPERF</b>	
NEW_PACKETS_RECV	[5:0]0xX	1	New Packets Received by Port
INQUE_READ_WIN	[8]0x1	1	Input Queue Read Win
ALLOC_TO_ARB	[15:9]0xX	1	Transactions allocated to Arb
EOT_NE_CYCLES	[16]0x1	1	Cycles EOT Not Empty
EOT_OCCUPANCY	[21]0x0	1	EOT Occupancy
EOT_INSERTS	[21]0x1	1	Number of Inserts into EOT
FLITS_RECV_ERR	[24]0x1	1	Error Flits Received
FLITS_RECV_SPEC	[25]0x1	1	Special Flits Received
OUTPUTQ_NE	[26]0x1	1	Output Queue Not Empty
OUTPUTQ_OVFL	[27]0x1	1	Output Queue Overflowed
RETRYQ_NE	[28]0x1	1	Retry Queue Not Empty
RETRYQ_OV	[29]0x1	1	Retry Queue Overflowed
NULL_IDLE	[30]0x1	1	Null Idle Flits

**Table 2-54. Performance Monitor Events for R-Box Events**

Symbol Name	Event Code	Max Inc/ Cyc	Description
<b>RIX Events</b>		<b>IPERF</b>	
FLITS_SENT	[31]0x1	1	Flits Sent
<b>QLX Events</b>		<b>QLX[3:0]</b>	
QUE_ARB_BID	0x0	1	Queue ARB Bids
LOCAL_ARB_BID	0x1	1	Local ARB Bids
GLOBAL_ARB_BID	0x2	1	Global ARB Bids
QUE_ARB_BID_FAIL	0x3	1	Failed Queue ARB Bids
LOCAL_ARB_BID_FAIL	0x4	1	Failed Local ARB Bids
GLOBAL_ARB_BID_FAIL	0x5	1	Failed Global ARB Bids
TARGET_AVAILABLE	0x9	1	Target Available
STARVING	0xA	1	Starvation Detective

## 2.6.6 R-Box Performance Monitor Event List

This section enumerates Intel® Xeon® Processor E7 Family uncore performance monitoring events for the R-Box.

### ALLOC\_TO\_ARB

- **Title:** Transactions allocated to ARB
- **Category:** RIX
- **[Bit(s)] Value:** See Note, **Max. Inc/Cyc:** 1,
- **Definition:** Transactions entered into Entry Table (counts incoming messages); This also means they are now available.
- **NOTE:** Any combination of Message Class [15:9] may be monitored.

**Table 2-55. Unit Masks for ALLOC\_TO\_ARB**

Extension	IPERF Bit Values [15:9]	Description
---	b0000000	(*nothing will be counted*)
NCB	bxxxxx1	Non-Coherent Bypass Messages
NCS	bxxxx1x	Non-Coherent Standard Messages
DRS_VN01	bxxxx1xx	Data Response (VN0 & VN1) Messages
NDR	bxxx1xxx	Non-Data Response Messages
SNP	bxx1xxxx	Snoop Messages
HOM_VN0	bx1xxxx	Home (VN0) Messages
HOM_VN1	b1xxxxx	Home (VN1) Messages
ALL	b1111111	All Messages

**EOT\_INSERTS**

- **Title:** Number of Inserts into EOT
- **Category:** RIX
- **[Bit(s)] Value:** [21]0x1, **Max. Inc/Cyc:** 1,
- **Definition:** Used with MC field. Accumulated depth of packets captured in the Entry Overflow Table for specified message types (i.e. EOT count by MC)
- **NOTE:** This basically counts VNA.

**Table 2-56. Unit Masks for EOT\_DEPTH\_ACC**

Extension	IPERF Bit Values [20:17]	Description
---	b0000	(*nothing will be counted*)
HOM_VN0	b0001	Home (VN0) Messages
HOM_VN1	b0010	Home (VN1) Messages
NDR	b0011	Non-Data Response Messages
DRS_VN0	b0100	Data Response (VN0) Messages
SNP	b0101	Snoop Messages
NCB	b0110	Non-Coherent Bypass Messages
NCS	b0111	Non-Coherent Standard Messages
DRS_VN1	b1000	Data Response (VN1) Messages
---	b1001-b1111	(*nothing will be counted*)

**EOT\_NE\_CYCLES**

- **Title:** Cycles EOT Not Empty
- **Category:** RIX
- **[Bit(s)] Value:** [16]0x1, **Max. Inc/Cyc:** 1,
- **Definition:** Number of cycles the Entry Overflow Table buffer is not empty (MC counts are not all zero).
- **NOTE:** Signals only if EOTs for ALL message classes are empty

**EOT\_OCCUPANCY**

- **Title:** EOT Occupancy
- **Category:** RIX
- **[Bit(s)] Value:** [21]0x0, **Max. Inc/Cyc:** 1,
- **Definition:** Used with MC field. Report a rolling count whenever a 7b counter (count == 128) overflows for the selected MC's allocation into EOT.
- **NOTE:** This basically counts VNA.

**Table 2-57. Unit Masks for EOT\_ROLL\_DEPTH\_ACC**

Extension	IPERF Bit Values [20:17]	Description
---	b0000	(*nothing will be counted*)
HOM_VN0	b0001	Home (VN0) Messages
HOM_VN1	b0010	Home (VN1) Messages
NDR	b0011	Non-Data Response Messages
DRS_VN0	b0100	Data Response (VN0) Messages

**Table 2-57. Unit Masks for EOT\_ROLL\_DEPTH\_ACC**

Extension	IPERF Bit Values [20:17]	Description
SNP	b0101	Snoop Messages
NCB	b0110	Non-Coherent Bypass Messages
NCS	b0111	Non-Coherent Standard Messages
DRS_VN1	b1000	Data Response (VN1) Messages
---	b1001-b1111	(*nothing will be counted*)

**FLITS\_RECV\_ERR**

- **Title:** Error Flits Received
- **Category:** RIX
- **[Bit(s)] Value:** [24]0x1, **Max. Inc/Cyc:** 1,
- **Definition:** Counts all flits received which caused CRC Error.

**FLITS\_RECV\_SPEC**

- **Title:** Special Flits Received
- **Category:** RIX
- **[Bit(s)] Value:** [25]0x1, **Max. Inc/Cyc:** 1,
- **Definition:** Counts all special flits received.

**FLITS\_SENT**

- **Title:** Flits Sent
- **Category:** RIX
- **[Bit(s)] Value:** [31]0x1, **Max. Inc/Cyc:** 1,
- **Definition:** Counts all flits. Output queue receives active beat.

**GLOBAL\_ARB\_BID**

- **Title:** Global ARB Bids
- **Category:** QLX
- **[Bit(s)] Value:** [3:0]0x2, **Max. Inc/Cyc:** 1,
- **Definition:** Count global arbitration bids from the port.

**GLOBAL\_ARB\_BID\_FAIL**

- **Title:** Failed Global ARB Bids
- **Category:** QLX
- **[Bit(s)] Value:** [3:0]0x5, **Max. Inc/Cyc:** 1,
- **Definition:** Number of bids for output port that were rejected at the global ARB.

**Table 2-58. Unit Masks for GLOBAL\_ARB\_BID\_FAIL**

Extension	QLX_EVENT_CFG Bit Values [7:4]	Description
VN0.HOM	b0000	VN0 Home Messages
VN0.SNP	b0001	VN0 Snoop Messages
VN0.NDR	b0010	VN0 Non-Data Response Messages
VN0.NCS	b0011	VN0 Non-Coherent Standard Messages
VN0.DRS	b0100	VN0 Data Response Messages
VN0.NCB	b1001	VN0 Non-Coherent Bypass Messages
---	b0110-b0111	(*illegal selection*)
VN1.HOM	b1000	VN1 Home Messages
VN1.SNP	b1001	VN1 Snoop Messages
VN1.NDR	b1010	VN1 Non-Data Response Messages
VN1.NCS	b1011	VN1 Non-Coherent Standard Messages
VN1.DRS	b1100	VN1 Data Response Messages
VN1.NCB	b1101	VN1 Non-Coherent Bypass Messages
---	b1110-b1111	(*illegal selection*)

**INQUE\_READ\_WIN**

- **Title:** Input Queue Read Win.
- **Category:** RIX
- **[Bit(s)] Value:** [8]0x1, **Max. Inc/Cyc:** 1,
- **Definition:** Bid wins arbitration. Counts number of IQA reads and drains to XBAR.

**LOCAL\_ARB\_BID**

- **Title:** Local ARB Bids
- **Category:** QLX
- **[Bit(s)] Value:** [3:0]0x1, **Max. Inc/Cyc:** 1,
- **Definition:** Number of clocks of non-zero Local ARB Bids.

**LOCAL\_ARB\_BID\_FAIL**

- **Title:** Failed Local ARB Bids
- **Category:** QLX
- **[Bit(s)] Value:** [3:0]0x4, **Max. Inc/Cyc:** 1,
- **Definition:** Number of clocks of non-zero Local ARB Bids that were rejected.

**NEW\_PACKETS\_RECV**

- **Title:** New Packets Received by Port
- **Category:** RIX
- **[Bit(s)] Value:** see table, **Max. Inc/Cyc:** 1,
- **Definition:** Counts new packets received according to the Virtual Network and Message Class specified.
- **NOTE:** Any combination of Message Class [5:0] may be monitored.

**Table 2-59. Unit Masks for NEW\_PACKETS\_RECV**

Extension	IPERF Bit Values [7:0]	Description
VN0.NCB	b00xxxxx1	VN0 Non-Coherent Bypass Messages
VN0.NCS	b00xxxx1x	VN0 Non-Coherent Standard Messages
VN0.DRS	b00xxx1xx	VN0 Data Response Messages
VN0.NDR	b00xx1xxx	VN0 Non-Data Response Messages
VN0.SNP	b00x1xxxx	VN0 Snoop Messages
VN0.HOM	b001xxxxx	VN0 Home Messages
VN0.ALL	b00111111	VN0 All Messages
VN1.NCB	b01xxxxx1	VN1 Non-Coherent Bypass Messages
VN1.NCS	b01xxxx1x	VN1 Non-Coherent Standard Messages
VN1.DRS	b01xxx1xx	VN1 Data Response Messages
VN1.NDR	b01xx1xxx	VN1 Non-Data Response Messages
VN1.SNP	b01x1xxxx	VN1 Snoop Messages
VN1.HOM	b011xxxxx	VN1 Home Messages
VN1.ALL	b01111111	VN1 All Messages
VNA.NCB	b10xxxxx1	VNA Non-Coherent Bypass Messages
VNA.NCS	b10xxxx1x	VNA Non-Coherent Standard Messages
VNA.DRS	b10xxx1xx	VNA Data Response Messages
VNA.NDR	b10xx1xxx	VNA Non-Data Response Messages
VNA.SNP	b10x1xxxx	VNA Snoop Messages
VNA.HOM	b101xxxxx	VNA Home Messages
VNA.ALL	b10111111	VNA All Messages
ANY.NCB	b11xxxxx1	ANY Non-Coherent Bypass Messages
ANY.NCS	b11xxxx1x	ANY Non-Coherent Standard Messages
ANY.DRS	b11xxx1xx	ANY Data Response Messages
ANY.NDR	b11xx1xxx	ANY Non-Data Response Messages
ANY.SNP	b11x1xxxx	ANY Snoop Messages
ANY.HOM	b111xxxxx	ANY Home Messages
ANY.ALL	b11111111	ANY All Messages

**NULL\_IDLE**

- **Title:** Null Idle Flits
- **Category:** RIX
- **[Bit(s)] Value:** [30]0x1, **Max. Inc/Cyc:** 1,
- **Definition:** Counts all null idle flits sent.

**OUTPUTQ\_NE**

- **Title:** Output Queue Not Empty
- **Category:** RIX
- **[Bit(s)] Value:** [26]0x1, **Max. Inc/Cyc:** 1,
- **Definition:** Output Queue Not Empty in this Output Port.

**OUTPUTQ\_OVFL**

- **Title:** Output Queue Overflowed
- **Category:** RIX
- **[Bit(s)] Value:** [27]0x1, **Max. Inc/Cyc:** 1,
- **Definition:** Output Queue Overflowed in this Output Port.

**QUE\_ARB\_BID**

- **Title:** Queue ARB Bids
- **Category:** • **Category:** QLX
- **[Bit(s)] Value:** [3:0]0x0, **Max. Inc/Cyc:** 1,
- **Definition:** Number of Queue ARB Bids for specified messages (Number of clocks with non-zero bids from that queue).

**Table 2-60. Unit Masks for QUE\_ARB\_BID**

Extension	QLX_EVENT_CFG Bit Values [6:4]	Description
HOM	b000	Home Messages
SNP	b001	Snoop Messages
NDR	b010	Non-Data Response Messages
NCS	b011	Non-Coherent Standard Messages
DRS	b100	Data Response Messages
NCB	b101	Non-Coherent Bypass Messages
---	b110-b111	(*illegal selection*)



**QUE\_ARB\_BID\_FAIL**

- **Title:** Failed Queue ARB Bids
- **Category:** QLX
- **[Bit(s)] Value:** [3:0]0x3, **Max. Inc/Cyc:** 1,
- **Definition:** Number of Queue ARB bids for input port that were rejected.

**Table 2-61. Unit Masks for QUE\_ARB\_BID\_FAIL**

Extension	QLX_EVENT_ CFG Bit Values [6:4]	Description
HOM	b000	Home Messages
SNP	b001	Snoop Messages
NDR	b010	Non-Data Response Messages
NCS	b011	Non-Coherent Standard Messages
DRS	b100	Data Response Messages
NCB	b101	Non-Coherent Bypass Messages
---	b110-b111	(*illegal selection*)

**RETRYQ\_NE**

- **Title:** Retry Queue Not Empty
- **Category:** RIX
- **[Bit(s)] Value:** [28]0x1, **Max. Inc/Cyc:** 1,
- **Definition:** Retry Queue Not Empty in this Output Port.

**RETRYQ\_OV**

- **Title:** Retry Queue Overflowed
- **Category:** RIX
- **[Bit(s)] Value:** [29]0x1, **Max. Inc/Cyc:** 1,
- **Definition:** Retry Queue Overflowed in this Output Port.

**STARVING**

- **Title:** Starvation Detected
- **Category:** QLX
- **[Bit(s)] Value:** [3:0]0xA, **Max. Inc/Cyc:** 1,
- **Definition:** Starvation detected

**TARGET\_AVAILABLE**

- **Title:** Target Available
- **Category:** QLX
- **[Bit(s)] Value:** [3:0]0x9, **Max. Inc/Cyc:** 1,
- **Definition:** Number of times target was available at output port.

**Table 2-62. Unit Masks for TARGET\_AVAILABLE**

Extension	QLX_EVENT_CFG Bit Values [7:4]	Description
VN0.HOM	b0000	VN0 Home Messages
VN0.SNP	b0001	VN0 Snoop Messages
VN0.NDR	b0010	VN0 Non-Data Response Messages
VN0.NCS	b0011	VN0 Non-Coherent Standard Messages
VN0.DRS	b0100	VN0 Data Response Messages
VN0.NCB	b1001	VN0 Non-Coherent Bypass Messages
VN0.VSM	b0110	VN0 VNA-small (<= 3 flits) Messages
VN0.VLG	b0111	VN0 VNA-large (9-11 flits) Messages
VN1.HOM	b1000	VN1 Home Messages
VN1.SNP	b1001	VN1 Snoop Messages
VN1.NDR	b1010	VN1 Non-Data Response Messages
VN1.NCS	b1011	VN1 Non-Coherent Standard Messages
VN1.DRS	b1100	VN1 Data Response Messages
VN1.NCB	b1101	VN1 Non-Coherent Bypass Messages
VN1.VSM	b1110	VN1 VNA-small (<= 3 flits) Messages
VN1.VLG	b1111	VN1 VNA-large (9-11 flits) Messages

## 2.7 M-Box Performance Monitoring

### 2.7.1 Overview of the M-Box

The memory controller interfaces to the Intel® (WSM-EX) Scalable Memory Buffers and translates read and write commands into specific Intel® Scalable Memory Interconnect (Intel® SMI) operations. Intel SMI is based on the FB-DIMM architecture, but the Intel (WSM-EX) Scalable Memory Buffer is not an AMB2 device and has significant exceptions to the FB-DIMM2 architecture. The memory controller also provides a variety of RAS features, such as ECC, memory scrubbing, thermal throttling, mirroring, and DIMM sparing. Each socket has two independent memory controllers, and each memory controller has two Intel SMI channels that operate in lockstep.

### 2.7.2 Functional Overview

The memory controller is the interface between the home node controller (B-Box) and the Intel Scalable Memory Interconnect and basically translates read and write commands into specific memory commands and schedules them with respect to memory timing. The other main function of the memory controller is advanced ECC support. There are two memory controllers per socket, each controlling two Intel SMI channels in lockstep. Because of the data path affinity to the B-Box data path, each B-Box is paired with a memory controller, that is, B-Boxes and memory controllers come in pairs.

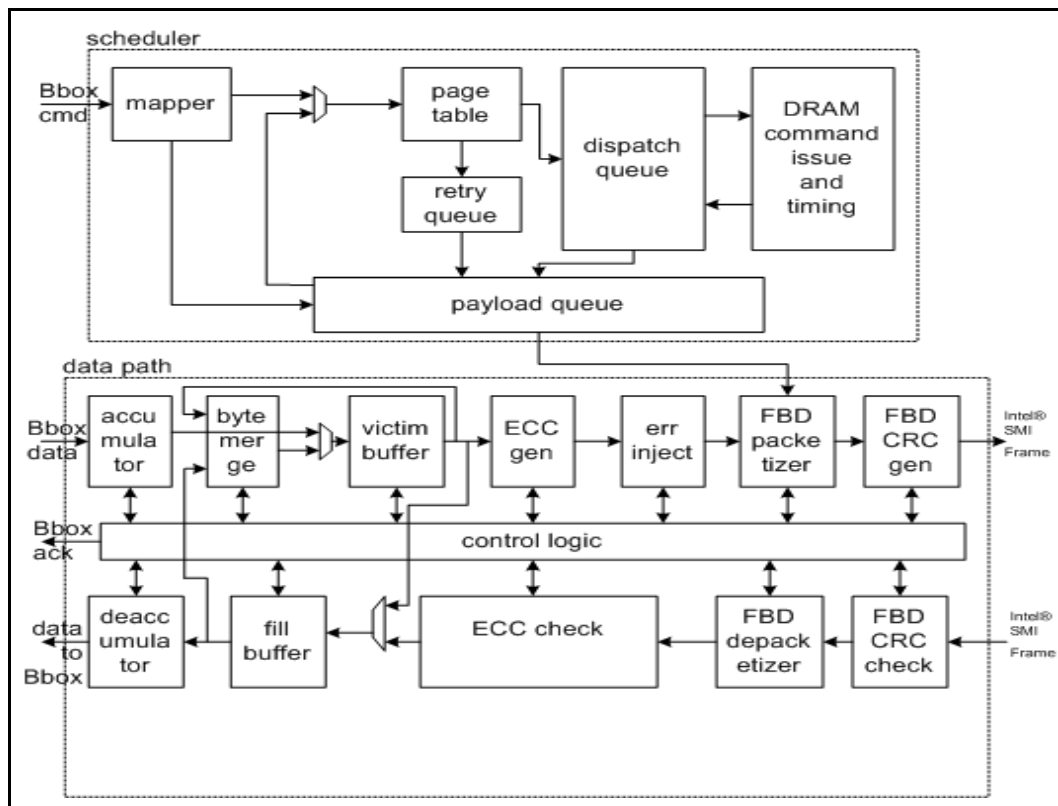


Figure 2-2. Memory Controller Block Diagram

The memory controller interfaces to the router through the B-Box (home node coherence controller) and to the P-Box pads.

### 2.7.2.1 Intel® Xeon® Processor E7 Family Scalable Memory Buffer

The Intel® Xeon® Processor E7 Family supports Scalable Memory Buffers on the Intel® SMI channels.

- Intel SMI protocol and signalling includes support for the following:
  - 4.8 Gbs, 6.4 Gbs signalling
  - forwarded clock fail-over NB and SB.
  - 9 data lanes plus 1 CRC lane plus 1 spare lane SB.
  - 12 data lanes plus 1 CRC lane plus 1 spare NB.
  - Support for integrating RDIMM thermal sensor information into Intel® SMI Status Frame.
- No support for daisy chaining (Intel (WSM-EX) Scalable Memory Buffer is the only Intel SMI device in the channel).
- No support for FB-DIMM1 protocol and signaling.

The Intel® Xeon® Processor E7 Family Scalable Memory Buffer provides an interface to DDR3 DIMMs and supports the following DDR3 functionality:

- DDR3 protocol and signalling, includes support for the following:
  - Up to two RDIMMs per DDR3 bus
  - Up to eight physical ranks per DDR3 bus (sixteen per Intel (WSM-EX) Scalable Memory Buffer)
  - 800 MT/s or 1066 MT/s (both DDR3 buses must operate at the same frequency)

- Single Rank x4, Dual Rank x4, Single Rank x8, Dual Rank x8, Quad Rank x4, Quad Rank x8
- 1 GB, 2 GB, 4 GB, 8 GB, 16 GB DIMM
- DRAM device sizes: 1 Gb, 2 Gb
- Mixed DIMM types (no requirement that DIMMs must be the same type, except that all DIMMs attached to an Intel® Xeon® Processor E7 Family Scalable Memory Buffer must run with a common frequency and core timings. Host lockstep requirements may impose additional requirements on DIMMs on separate Intel SMI channels).
- DDR buses may contain different number of DIMMs, zero through two. (Host lockstep requirements may impose additional requirements on DIMMs on separate Intel SMI channels).
- Cmd/Addr parity generation and error logging.
- No support for non-ECC DIMMs
- No support for DDR2 protocol and signaling
- Support for integrating RDIMM thermal sensor information into Intel SMI Status Frame.

### 2.7.3 M-Box Performance Monitoring Overview

Each M-Box supports performance monitoring through 6 48-bit wide counters (M\_MSR\_PMU\_CNT\_{5-0}). Each of these counters can be configured to monitor any available event through its companion control register. However, a good chunk of the generic events defer configuration to various subcontrol registers (as detailed below). Since there are a limited number of control registers, software must pay attention to various restrictions as to what events may be counted simultaneously. The M-Box counters increment by a maximum of 1 per cycle.

For information on how to setup a monitoring session, refer to [Section 2.1, “Global Performance Monitoring Control Counter Overflow”](#).

#### 2.7.3.1 Choosing An Event To Monitor - Example using subcontrol registers

As has been stated, monitoring a particular event often requires configuring auxiliary MSRs.

For instance, to count (in counter 0) the number of RAS DRAM commands (PLD\_DRAM\_EV.DRAM\_CMD.RAS) that have been issued, set up is as follows:

```
M_MSR_PMU_CNT_CTL_0.en [0] = 1
M_MSR_PMU_CNT_CTL_0.count_mode [3:2] = 0x0
M_MSR_PMU_CNT_CTL_0.flag_mode [7] = 0
M_MSR_PMU_CNT_CTL_0.inc_sel [13:9] = 0xa
M_MSR_PMU_PLD.cmd [0] = 0x0
M_MSR_PMU_PLD.dram_cmd [12:8] = 0x2
```

To count (in counter 2) the number of read commands from the B-Box in the scheduler queue (BCMD\_SCHEDQ\_OCCUPANCY.READS), set up is as follows:

```
M_MSR_PMU_CNT_CTL_2.en [0] = 1
M_MSR_PMU_CNT_CTL_0.count_mode [3:2] = 0x0
M_MSR_PMU_CNT_CTL_0.flag_mode [7] = 1
M_MSR_PMU_CNT_CTL_0.inc_sel [21:19] = 0x06
```

M\_MSR\_PMU\_MAP.cmd [8:5] = 0x0

M\_MSR\_PMU\_MAP.fvid [3:0] = selected Fill Victim Index to track

### 2.7.3.2 M-Box PMU - Overflow, Freeze and Unfreeze

If an overflow is detected from an M-Box performance counter, the overflow bit is set at the box level (M\_MSR\_PMON\_GLOBAL\_STATUS.ov), and forwarded up the chain towards the U-Box. If a M-Box0 counter overflows, a notification is sent and stored in S-Box0 (S\_MSR\_PMON\_SUMMARY.ov\_mb) which, in turn, sends the overflow notification up to the U-Box (U\_MSR\_PMON\_GLOBAL\_STATUS.ov\_s0). Refer to [Table 2-26, "S\\_MSR\\_PMON\\_SUMMARY Register Fields"](#) to determine how each M-Box's overflow bit is accumulated in the attached S-Box.

HW can be also configured (by setting the corresponding *.pmi\_en* to 1) to send a PMI to the U-Box when an overflow is detected. The U-Box may be configured to freeze all uncore counting and/or send a PMI to selected cores when it receives this signal.

Once a freeze has occurred, in order to see a new freeze, the overflow field responsible for the freeze, must be cleared by setting the corresponding bit in M\_MSR\_PMON\_GLOBAL\_OVF\_CTL.clr\_ov. Assuming all the counters have been locally enabled (*.en* bit in data registers meant to monitor events) and the overflow bit(s) has been cleared, the M-Box is prepared for a new sample interval. Once the global controls have been re-enabled ([Section 2.1.5, "Enabling a New Sample Interval from Frozen Counters"](#)), counting will resume.

## 2.7.4 M-BOX Performance Monitors

**Table 2-63. M-Box Performance Monitoring MSRs**

MSR Name	Access	MSR Address	Size (bits)	Description
MB1_CR_M_MSR_PMU_ADDR_MASK	RW_RW	0x0E5E	64	M-Box 1 PMON Addr Mask
MB1_CR_M_MSR_PMU_ADDR_MATCH	RW_RW	0x0E5D	64	M-Box 1 PMON Addr Match
MB1_CR_M_MSR_PMU_MM_CFG	RW_RW	0xCE5C	64	M-Box 1 PMON Mask/Match Config
MBO_CR_M_MSR_PMU_ADDR_MASK	RW_RW	0x0E56	64	M-Box 0 PMON Addr Mask
MBO_CR_M_MSR_PMU_ADDR_MATCH	RW_RW	0x0E55	64	M-Box 0 PMON Addr Match
MBO_CR_M_MSR_PMU_MM_CFG	RW_RW	0x0E54	64	M-Box 0 PMON Mask/Match Config
MB1_CR_M_MSR_PMU_CNT_5	RW_RW	0x0CFB	64	M-Box 1 PMON Counter 5
MB1_CR_M_MSR_PMU_CNT_CTL_5	RW_RW	0x0CFA	64	M-Box 1 PMON Control 5
MB1_CR_M_MSR_PMU_CNT_4	RW_RW	0x0CF9	64	M-Box 1 PMON Counter 4
MB1_CR_M_MSR_PMU_CNT_CTL_4	RW_RW	0x0CF8	64	M-Box 1 PMON Control 4
MB1_CR_M_MSR_PMU_CNT_3	RW_RW	0x0CF7	64	M-Box 1 PMON Counter 3
MB1_CR_M_MSR_PMU_CNT_CTL_3	RW_RW	0x0CF6	64	M-Box 1 PMON Control 3
MB1_CR_M_MSR_PMU_CNT_2	RW_RW	0x0CF5	64	M-Box 1 PMON Counter 2
MB1_CR_M_MSR_PMU_CNT_CTL_2	RW_RW	0x0CF4	64	M-Box 1 PMON Control 2
MB1_CR_M_MSR_PMU_CNT_1	RW_RW	0x0CF3	64	M-Box 1 PMON Counter 1
MB1_CR_M_MSR_PMU_CNT_CTL_1	RW_RW	0x0CF2	64	M-Box 1 PMON Control 1
MB1_CR_M_MSR_PMU_CNT_0	RW_RW	0x0CF1	64	M-Box 1 PMON Counter 0
MB1_CR_M_MSR_PMU_CNT_CTL_0	RW_RW	0x0CF0	64	M-Box 1 PMON Control 0
MB1_CR_M_MSR_PMU_ZDP_CTL_FVC	RW_RW	0x0CEB	32	M-Box 1 PMON SubControl for FVC events
MB1_CR_M_MSR_PMU_PLD	RW_RW	0x0CEA	32	M-Box 1 PMON SubControl for PLD events
MB1_CR_M_MSR_PMU_PGT	RW_RW	0x0CE9	32	M-Box 1 PMON SubControl for PGT events
MB1_CR_M_MSR_PMU_MSC_THR	RW_RW	0x0CE8	32	M-Box 1 PMON SubControl for THR events
MB1_CR_M_MSR_PMU_MAP	RW_RW	0x0CE7	32	M-Box 1 PMON SubControl for MAP events
MB1_CR_M_MSR_PMU_ISS	RW_RW	0x0CE6	32	M-Box 1 PMON SubControl for ISS events
MB1_CR_M_MSR_PMU_DSP	RW_RW	0x0CE5	32	M-Box 1 PMON SubControl for DSP events
MB1_CR_M_MSR_PMU_TIMESTAMP_UNIT	RW_RW	0x0CE4	32	M-Box 1 PMON Timestamp
MB1_CR_M_MSR_PERF_GLOBAL_OVF_CTL	RW_RW	0x0CE2	32	M-Box 1 PMON Global Overflow Control
MB1_CR_M_MSR_PERF_GLOBAL_STATUS	RW_RW	0x0CE1	32	M-Box 1 PMON Global Overflow Status
MB1_CR_M_MSR_PERF_GLOBAL_CTL	RW_RW	0x0CE0	32	M-Box 1 PMON Global Control

MSR Name	Access	MSR Address	Size (bits)	Description
MBO_CR_M_MSR_PMU_CNT_5	RW_RW	0x0CBB	64	M-Box 0 PMON Counter 5
MBO_CR_M_MSR_PMU_CNT_CTL_5	RW_RW	0x0CBA	64	M-Box 0 PMON Control 5
MBO_CR_M_MSR_PMU_CNT_4	RW_RW	0x0CB9	64	M-Box 0 PMON Counter 4
MBO_CR_M_MSR_PMU_CNT_CTL_4	RW_RW	0x0CB8	64	M-Box 0 PMON Control 4
MBO_CR_M_MSR_PMU_CNT_3	RW_RW	0x0CB7	64	M-Box 0 PMON Counter 3
MBO_CR_M_MSR_PMU_CNT_CTL_3	RW_RW	0x0CB6	64	M-Box 0 PMON Control 3
MBO_CR_M_MSR_PMU_CNT_2	RW_RW	0x0CB5	64	M-Box 0 PMON Counter 2
MBO_CR_M_MSR_PMU_CNT_CTL_2	RW_RW	0x0CB4	64	M-Box 0 PMON Control 2
MBO_CR_M_MSR_PMU_CNT_1	RW_RW	0x0CB3	64	M-Box 0 PMON Counter 1
MBO_CR_M_MSR_PMU_CNT_CTL_1	RW_RW	0x0CB2	64	M-Box 0 PMON Control 1
MBO_CR_M_MSR_PMU_CNT_0	RW_RW	0x0CB1	64	M-Box 0 PMON Counter 0
MBO_CR_M_MSR_PMU_CNT_CTL_0	RW_RW	0x0CB0	64	M-Box 0 PMON Control 0
MBO_CR_M_MSR_PMU_ZDP_CTL_FVC	RW_RW	0x0CAB	32	M-Box 0 PMON SubControl for FVC events
MBO_CR_M_MSR_PMU_PLD	RW_RW	0x0CAA	32	M-Box 0 PMON SubControl for PLD events
MBO_CR_M_MSR_PMU_PGT	RW_RW	0x0CA9	32	M-Box 0 PMON SubControl for PGT events
MBO_CR_M_MSR_PMU_MSC_THR	RW_RW	0x0CA8	32	M-Box 0 PMON SubControl for THR events
MBO_CR_M_MSR_PMU_MAP	RW_RW	0x0CA7	32	M-Box 0 PMON SubControl for MAP events
MBO_CR_M_MSR_PMU_ISS	RW_RW	0x0CA6	32	M-Box 0 PMON SubControl for ISS events
MBO_CR_M_MSR_PMU_DSP	RW_RW	0x0CA5	32	M-Box 0 PMON SubControl for DSP events
MBO_CR_M_MSR_PMU_TIMESTAMP_UNIT	RW_RW	0x0CA4	32	M-Box 0 PMON Timestamp
MBO_CR_M_MSR_PERF_GLOBAL_OVF_CTL	RW_RW	0x0CA2	32	M-Box 0 PMON Global Overflow Control
MBO_CR_M_MSR_PERF_GLOBAL_STATUS	RW_RW	0x0CA1	32	M-Box 0 PMON Global Overflow Status
MBO_CR_M_MSR_PERF_GLOBAL_CTL	RW_RW	0x0CA0	32	M-Box 0 PMON Global Control

### 2.7.4.1 M-Box Box Level PMON state

The following registers represent the state governing all box-level PMUs in the M-Box.

The `_GLOBAL_CTL` register contains the bits used to enable monitoring. It is necessary to set the `.ctr_en` bit to 1 before the corresponding data register can collect events.

If an overflow is detected from one of the M-Box PMON registers, the corresponding bit in the `_GLOBAL_STATUS.ov` field will be set. To reset the overflow bits set in the `_GLOBAL_STATUS.ov` field, a user must set the corresponding bits in the `_GLOBAL_OVF_CTL.clr_ov` field before beginning a new sample interval.

**Table 2-64. M\_MSR\_PERF\_GLOBAL\_CTL Register Fields**

Field	Bits	HW Reset Value	Description
ctr_en	5:0	0	Must be set to enable each MBOX 0 counter (bit 0 to enable ctr0, etc) NOTE: U-Box enable and per counter enable must also be set to fully enable the counter.

**Table 2-65. M\_MSR\_PERF\_GLOBAL\_STATUS Register Fields**

Field	Bits	HW Reset Value	Description
ov	5:0	0	If an overflow is detected from the corresponding MBOX 0 PMON register, it's overflow bit will be set.

**Table 2-66. M\_MSR\_PERF\_GLOBAL\_OVF\_CTL Register Fields**

Field	Bits	HW Reset Value	Description
clr_ov	5:0	0	Writing '1' to bit in field causes corresponding bit in 'Overflow PerfMon Counter' field in MBO_CR_M_MSR_PERF_GLOBAL_STATUS register to be cleared to 0.

### 2.7.4.2 M-Box PMON state - Counter/Control Pairs

The following table defines the layout of the M-Box performance monitor control registers. The main task of these configuration registers is to select the event to be monitored by their respective data counter. Setting the *.inc\_sel* and *.set\_flag\_sel* fields performs the event selection (alternatively, a user can use *.dec\_sel* and *.rst\_flag\_sel* to use a decrementing form of the event select). Many of the events selected may be broken into components through use of companion subcontrol registers. See [Section 2.7.7, "M-Box Performance Monitor Event List"](#) for more details.

The *.en* bit must be set to 1 to enable counting.

Additional control bits include:

- *.pmi\_en* governs what to do if an overflow is detected.



**Table 2-67. M\_MSR\_PMU\_CNT\_CTL{5-0} Register – Field Definitions**

Field	Bits	HW Reset Value	Description
ig	63	0	Read zero; writes ignored.
rsv	62:61	0	Reserved; Must write to 0 else behavior is undefined.
ig	60:25	0	Read zero; writes ignored.
rsv	24:22	0	Reserved; Must write to 0 else behavior is undefined.
set_flag_sel	21:19	0	Selects the 'set' condition for enable flag. Secondary event select. See Table 2-84, "Performance Monitor Events for M-Box Events" for events elected by this field. NOTE: Bit 7 (flag_mode) must be set to 1 to enable this field.
rsv	18:14	0	Reserved; Must write to 0 else behavior is undefined.
inc_sel	13:9	0	Selects increment signal for this counter. Primary event select. See Table 2-84, "Performance Monitor Events for M-Box Events" for events elected by this field.
rsv	8	0	Reserved; Must write to 0 else behavior is undefined.
flag_mode	7	0	Enable conditional counting using set_flag_sel
wrap_mode	6	0	Counter wrap mode. If set to 0, this counter will stop counting on detection of over/underflow. If set to 1, this counter will wrap and continue counting on detection of over/underflow.
storage_mode	5:4	0	Storage mode. If set to 0, no count enable flag is required. If set to 1, count enable flag must have a value of 1 for counting to occur.
count_mode	3:2	0	00 - count will increase (up) 01 - count will decrease (dn) 10 - count can increase and decrease
pmi_en	1	0	Enable PMON interrupt on counter over/underflow.
en	0	0	Local Counter Enable. When set, the associated counter is locally enabled. NOTE: It must also be enabled in M_MSR_PMON_GLOBAL_CTL and the U-Box to be fully enabled.

The M-Box performance monitor data registers are 48b wide. A counter overflow occurs when a carry out bit from bit 47 is detected. Software can force all uncore counting to freeze after N events by preloading a monitor with a count value of  $(2^{48} - 1) - N$  and setting the control register to send a PMI to the U-Box. Upon receipt of the PMI, the U-Box will disable counting ( [Section 2.1.1, "Freezing on Counter Overflow"](#)). During the interval of time between overflow and global disable, the counter value will wrap and continue to collect events.

In this way, software can capture the precise number of events that occurred between the time uncore counting was enabled and when it was disabled (or 'frozen') with minimal skew.

If accessible, software can continuously read the data registers without disabling event collection.

**Table 2-68. M\_MSR\_PMU\_CNT\_{5-0} Register – Field Definitions**

Field	Bits	HW Reset Value	Description
event_count	47:0	0	48-bit performance event counter

The M-Box also includes a 16b timestamp unit that is incremented each M-Box clock tick. It is a free-running counter unattached to the rest of the M-Box PMU, meaning it does not generate an event fed to the other counters.

**Table 2-69. M\_MSR\_PMU\_TIMESTAMP\_UNIT Register – Field Definitions**

Field	Bits	HW Reset Value	Description
timestamp	15:0	0	Timestamp is updated every timestamp_unit MClk's

### 2.7.4.3 M-Box PMU Filter Registers

The M-Box also provides a limited ability to perform address matching for PLD events. The following 3 tables contain the field definitions for the configuration registers governing the M-Box's address match/mask facility.

**Table 2-70. M\_MSR\_PMU\_MM\_CFG Register – Field Definitions**

Field	Bits	HW Reset Value	Description
enable	63	0	Enable debug mode (disables PMON mode).
ig	62:0	0	Read zero; writes ignored.

**Table 2-71. M\_MSR\_PMU\_ADDR\_MATCH Register – Field Definitions**

Field	Bits	HW Reset Value	Description
ig	63:34	0	Read zero; writes ignored.
address	33:0	0	34b match address for PLD events

**Table 2-72. M\_MSR\_PMU\_ADDR\_MASK Register – Field Definitions**

Field	Bits	HW Reset Value	Description
ig	63:28	0	Read zero; writes ignored.
address	27:0	0	Address bits to mask 'don't care' bits during match - cache aligned address 33:6

### 2.7.4.4 M-Box PMU Subcontrol Registers - Subunit descriptions

The following Tables contain information on how to program the various subcontrol registers contained within the M-Box which include the DSP, ISS, MAP, THR, PGT, PLD and FVC registers. The subcontrol registers govern events coming from subunits within the M-Box which can be roughly categorized as follows:

**MAP** - Memory Mapper - receives read and write commands/addresses from the B-Box and translates the received addresses (physical) into DRAM addresses (rank, bank, row and column). The commands and translated addresses are sent to the PLD. In parallel, the broken DRAM addresses are also sent to the PGT.

**PLD** - Payload Queue - Receives command and translated addresses from the MAP while the PGT translates MAP commands into DRAM command combinations.

Original B-Box transaction's FVID sent from DSP during subcommand execution where the appropriate subcommand information is accessed to compose the Intel® SMI command frame.

**PGT** - Page Table - Keeps track of open pages. Translates the read/write commands into DRAM command combinations (i.e. PRE, RAS, CASrd, CASwr). The generated command combination (e.g. PRE\_RAS\_CASrd) is then sent to the Dispatch Queue.

If

- a) there is already a command in the DSP for a particular DIMM (rank/bank)
- b) the DSP's readQ or writeQ is full
- c) if a rank requires thermal throttling because the DIMM is heating up
- d) or a refresh is executing to a rank.

Then the PGT will detect the conflict and place the command in the retryQ for later execution.

**DSP** - Dispatch Queue - receives DRAM command from PGT and stores request in a read or write subqueue. In the dispatch queue, the command combinations are broken up into subcommand kinds that are sequenced in the necessary order required to complete the read/write transaction (i.e. PRE, RAS, CAS, CASpre). All "ready to execute" subcommands stored within the various DSP queues are presented simultaneously to the issue logic.

Once the ISS returns the subcommand choice, the oldest DSP entry containing that subcommand kind (for a particular DIMM) is allowed to execute. During subcommand execution, the DSP sends the original (B-Box) transaction's FVID (that was stored in the DSP entry) to the PLD. After subcommand execution, the DSP's queue entry state is updated to the next required subcommand kind (based on the original command combination) to be executed (new state).

**ISS** - Issue - receives "ready to execute" subcommands from the dispatch queue(s) as a bit vector that is organized with each bit representing a subcommand kind per DIMM (i.e. RAS for DIMM0, CAS for DIMM3). Having an overview of all these subcommand kinds enables the ISS to flexibly schedule/combine subcommands out-of-order. Once a subcommand kind for a particular DIMM is selected from the issue vector by the ISS, that subcommand choice is driven back to the DSP

**THR** - Thermal Throttling

**FVC** - Fill and Victim Control - drives all the control signals required by the fill datapath and victim datapath. Additionally, it handles issuing and control of the buffer maintenance commands (i.e. MRG, F2V, V2V, V2F and F2B). It also contains the logic to respond to the B-Box when commands in the M-Box have completed.

The **DSP** subcontrol register contains bits to specify subevents of the DSP\_FILL event, breaking it into write queue/read queue occupancy as well as DSP latency.

**Table 2-73. M\_MSR\_PMU\_DSP Register – Field Definitions**

Field	Bits	HW Reset Value	Description
ig	63:11	0	Read zero; writes ignored.
wrq_empty	10	0	Generate DSP_FILL trigger when write queue is empty
rdq_empty	9	0	Generate DSP_FILL trigger when read queue is empty
wrq_full	8	0	Generate DSP_FILL trigger when write queue is full
rdq_full	7	0	Generate DSP_FILL trigger when read queue is full
lat_cnt_en	6	0	Latency count mode. If 1, the latency for this FVID is counted.
fvid	5:0	0	FVID (Fill Victim Index) of transaction for which scheduler latency is to be counted. Only fully completed transactions are counted.

The **ISS** subcontrol register contains bits to specify subevents for the ISS\_EV (by Intel SMI frame), CYCLES\_SCHED\_MODE (cycles spent per ISS mode) and PLD\_DRAM\_EV (DRAM commands broken down by scheduling mode in the ISS) events.

**Table 2-74. M\_CSR\_ISS\_PMU Register – Field Definitions**

Field	Bits	Access	HW Reset Value	Reset Type
ig	31:11			Reads 0; writes ignored.
frame_beat	10	RW	0	Number of Frame Beats
sched_mode_pld_trig	9:7	RW	0	Selects the scheduling mode for which the number of DRAM commands is counted in MA_PLD. Here for implementation reasons. Uses same encodings as M_MSR_PMU_ISS.sched_mode:  000: trade-off 001: rd priority 010: wr priority 011: adaptive
sched_mode	6:4	RW	0	Selects the scheduling mode for which time-in-mode is counted.  000: trade-off 001: rd priority 010: wr priority 011: adaptive
frm_type	3:0	RW	0	Selects the frame type to be counted.  0000 - 3CMD - Count all 3-command Intel SMI frames 0001 - WDAT - Count all write data frames. 0010 - SYNC - Count all SYNC frames. 0011 - CHNL - Count all channel command frames. 0101 - 0100 - RSVD 1000 - NOP - Count all NOP frames. For post-silicon debug 1001-1011 - RSVD 1100 - Count all 1-command Intel SMI frames. 1101-1111 - RSVD

The **MAP** subcontrol register contains bits to specify subevents for BCMD\_SCHEDQ\_OCCUPANCY (by B-Box command type).

**Table 2-75. M\_MSR\_PMU\_MAP Register – Field Definitions**

Field	Bits	HW Reset Value	Reset Type
ig	31:13		Reads 0; writes ignored.
set_patrol_req	12:11	0	Select various patrol requests for MAP PMU Event 2.  11 - Count all patrol requests accepted by PGT. 10 - Count write requests by Patrol FSM. The write does not need to be accepted by PGT. 01 - Count read requests by Patrol FSM. Read does not need to be accepted by PGT. 00 - Count every patrol request accepted by PGT
sel_map_ev3	10	0	Selects MAP PMU Event 3.  1 - Count each time a trigger set up in MAP fires. 0 - Count every valid response from MBOX. This includes responses to B-Box as well as response to patrol scrub FSM.
anycmd	9	0	Count all B-Box commands to M-Box. Event is counted by PGT Event0.
cmd	8:6	0	B-Box command to count. Event is counted by PGT Event0. NOTE: anycmd MUST be 0.
fvid	5:0	0	Selects FVID (Fill Victim Index) for which overall or scheduler latency is to be counted.

The **THR** subcontrol register contains bits to specify subevents for the THR\_TT\_TRP\_UP/DN\_EV events allowing a user to choose select DIMMs and whether the temperature is rising or falling.

**Table 2-76. M\_CSR\_PMU\_MA\_MSC\_THR Register – Field Definitions**

Field	Bits	Access	HW Reset Value	Reset Type
ig	31:11			Reads 0; writes ignored.
trp_pt_dn_cnd	10:9	RW	0	Selects the condition to count for “downwards” trip point crossings. See Table 2-77, “TRP_PT_{DN,UP}_CND Encodings” for encodings.
trp_pt_up_cnd	8:7	RW	0	Selects the condition to count for “upwards” trip point crossings. See Table 2-77, “TRP_PT_{DN,UP}_CND Encodings” for encodings.
dimms_trp_pt	6:4	RW	0	Selects the DIMM for which to count the trip point crossings. Unused when all_dimms_trp_pt field is set.
all_dimms_trp_pt	3	RW	0	Select all DIMMs to provide trip point crossings events instead of a single particular DIMM.
dimms_sel	2:0	RW	0	Selects DIMM to count the time throttling is active.

**Table 2-77. TRP\_PT\_{DN,UP}\_CND Encodings**

Name	Value	Description
ABOVE_TEMP_MID_RISE	0b11	Above the mid temperature trip point (rising)
ABOVE_TEMP_MID_FALL	0b10	Above the mid temperature trip point (falling)
ABOVE_TEMP_LO	0b01	Above the low temperature trip point, but below the mid temperature trip point.
BELOW_TEMP_LO	0b00	Below the low temperature trip point.

The **PGT** subcontrol register contains bits to specify subevents for CYCLES\_PGT\_STATE (time spent in open or closed state) and PGT\_PAGE\_EV (opn2cls or cls2opn transitions) as well as provide bits to further breakdown throttling events into ranks.

**Table 2-78. M\_MSR\_PMU\_PGT Register – Field Definitions**

Field	Bits	HW Reset Value	Reset Type
ig	31:12		Reads 0; writes ignored.
empty_or_clspg	11	0	Selects between counting number of page auto close commands or counting empty page hits. 0 - Auto Page Close Commands 1 - Empty Pages Hits by new access to page table
trig_sel	10:9	0	Selects PGT event to be counted. 00 - Time which PGT stays in open/closed page policy 01 - Number of PGT Trigger 1 matches 10 - Number of PGT Trigger 2 matches
trans_cmd_cnt	8:7	0	Selects translated commands to be counted. 00 - ALL - Count all translated commands. 01 - WR - Count all write commands. 10 - RD - Count all read commands.
opncls_time	6	0	Selects time counting between open and closed page mode. 0 - CLS - Counts time spent in closed page mode. 1 - OPN - Counts time spent in open page mode.
tt_rnk_cnd	5:2	0	Selects which rank is observed for thermal throttling events.
rnk_cnd	1	0	Selects how thermal throttling events are counted relative to rank. 0 - ALL - Counts thermal throttling events for all ranks. 1 - SGL - Counts thermal throttling events for the single rank selected by tt_rnk_cnd.
opn2cls_cnt	0	0	Counts the open/closed page policy transitions. 0 - OPN2CLS - Counts open-to-closed transactions. 1 - CLS2OPN - Counts closed-to-open transactions.

The **PLD** subcontrol register contains bits to specify subevents for PLD\_DRAM\_EV (by DRAM CMD type), PLD\_RETRY\_EV (to specify FVID).

**Table 2-79. M\_MSR\_PMU\_PLD Register – Field Definitions**

Field	Bits	HW Reset Value	Reset Type
ig	31:24		Reads 0; writes ignored.
dram_cmd1	23:19	0	See dram_cmd field for enumeration
non_nop_trkl_cmd_cnt	18	0	NON NOP Trickle Commands
vld_cmd_cnt	17	0	Valid Commands
dram_cmd1_cnt	16	0	Count number of DRAM Commands scheduled ( DRAM commands can be specified by setting the dram_cmd1 field to non-0)
pld_trig_sel	15:14	0	When 0, corresponding PMU event records number of ZAD parity errors. When 1 or 2, respective trigger match event is selected.
addr_match1	13	0	Qualify trigger with address match as specified by M_CSR_INJ_ERR_ADDR_1, M_CSR_INJ_ERR_CTL_1.match_* and M_CSR_INJ_ERR_CTL_1.inj_err_* fields control the match condition.
dram_cmd	12:8	0	The DRAM command type to be counted.  11110 - ZQCAL_SCMD 11101 - RCR_SCMD 11100 - WCR_SCMD 11000 - NOWPE_SCMD 10111 - SFT_RST_SCMD 10110 - IBD_SCMD 10101 - CKEL_SCMD 10100 - CKEH_SCMD 10011 - POLL_SCMD 10010 - SYNC_SCMD 10001 - PRE_SCMD 10000 - TRKL_SCMD 01111 - GENDRM_SCMD 01110 - EMRS3_SCMD 01101 - EMRS2_SCMD 01100 - NOP_SCMD 01011 - EXSR_SCMD 01010 - ENSR_SCMD 01001 - RFR_SCMD 01000 - EMRS_SCMD 00111 - MRS_SCMD 00110 - CASPRE_WR_SCMD 00101 - CASPRE_RD_SCMD 00100 - CAS_WR_SCMD 00011 - (* undefined count *) 00010 - RAS_SCMD 00001 - PRECALL_SCMD 00000 - ILLEGAL_SCMD
rtry_sngl_fvid	7	0	Controls FVID (Fill Victim Index) selection for which the number of retries is to be counted. 0 - ALL - All retries are counted, regardless of FVID 1 - FVID - Counts only the retries whose FVIDs match this CSR's fvid field.
fvid	6:1	0	The FVID for which the number of retries is to be counted.
cmd	0	0	Uses setting in M_MSR_PMU_ISS.sched_mode to qualify DRAM commands.

The **FVC** subcontrol register contains bits to break the FVC\_EV into events observed by the Fill and Victim Control logic (i.e. B-Box commands, B-Box responses, various error conditions, etc). The FVC register can be set up to monitor four independent FVC-subevents simultaneously. However, many of the FVC-subevents depend on **additional** FVC fields which detail B-Box response and commands. Therefore, only one B-Box response or command may be monitored at any one time.

**Table 2-80. M\_MSR\_PMU\_ZDP\_CTL\_FVC Register – Field Definitions**

Field	Bits	HW Reset Value	Reset Type
ig	31:25		Reads 0; writes ignored.
pbox_init_err	24	0	Extension of event select encoding 0b111 (smi_nb_trig). If event select is set to 111 and this bit is set to 1, PBOX reset time events will be counted.
evnt3	23:21	0	FVC Subevent 3 selection. See Table 2-81, "M_MSR_PMU_ZDP_CTL_FVC.evnt{4-1} Encodings"
evnt2	20:18	0	FVC Subevent 2 selection. See Table 2-81, "M_MSR_PMU_ZDP_CTL_FVC.evnt{4-1} Encodings"
evnt1	17:15	0	FVC Subevent 1 selection. See Table 2-81, "M_MSR_PMU_ZDP_CTL_FVC.evnt{4-1} Encodings"
evnt0	14:12	0	FVC Subevent 0 selection. See Table 2-81, "M_MSR_PMU_ZDP_CTL_FVC.evnt{4-1} Encodings"
resp	11:9	0	B-Box response to match on. See Table 2-82, "M_MSR_PMU_ZDP_CTL_FVC.RESP Encodings"
bcmd	8:6	0	B-Box command to match on. See Table 2-82, "M_MSR_PMU_ZDP_CTL_FVC.RESP Encodings"
fvid	5:0	0	FVID to match on



**Table 2-81. M\_MSR\_PMU\_ZDP\_CTL\_FVC.evnt{4-1} Encodings**

Name	Value	Description
smi_nb_trig	0b111	Select Intel SMI Northbound debug event bits from the Intel SMI status frames as returned from the Intel (WSM-EX) Scalable Memory Buffers OR PBOX init error (see pbox_init_err field). These bits are denoted NBDE in the Intel SMI spec status frame description. An OR of all the bits over all the Intel (WSM-EX) Scalable Memory Buffers is selected here as an event.  NB debug events generate multiple triggers for single NBDE event. Instead, the following triggers listed in M_CCSR_MSC_TRIG_SEL reg must be used: Trigger 51 := Ch1 NBDE Trigger 58 := Ch0 NBDE
resp_match	0b110	Use response match as programmed by Z_CSR_PMU_ZDP_CTL_FVC.resp to generate trigger.
bcmd_match	0b101	Use B-Box command match as programmed by Z_CSR_PMU_ZDP_CTL_FVC.bcmd to generate trigger.
fast_rst	0b100	Fast reset request from MBOS
alrt_frm	0b011	An alert frame was detected.
psn_txn	0b010	A write to memory was poisoned.
mem_ecc_err	0b001	Memory ECC error detected (that is not a link-level CRC error).
smi_crc_err	0b000	Link level Intel SMI CRC error detected.

**Table 2-82. M\_MSR\_PMU\_ZDP\_CTL\_FVC.RESP Encodings**

Name	Value	Description
spr_uncor_resp	0b111	Uncorrectable response for command to misbehaving DIMM during sparing.
Reserved	0b110	
spr_ack_resp	0b101	Positive acknowledgment for command to misbehaving DIMM during sparing. No error was detected for the transaction.
spec_ack_resp	0b100	Speculative (=early) positive acknowledgment for optimized read flow. No error was detected for the transaction.
uncor_resp	0b011	Uncorrectable response. Corrections failed.
corr_resp	0b010	Corrected (after, for example, error trials or just by a retry).
retry_resp	0b001	Retry response. Possibly a correctable error. Retries are generated until it is decided that error was either correctable or uncorrectable.
ack_resp	0b000	Positive acknowledgment. No error was detected.

**Table 2-83. M\_MSR\_PMU\_ZDP\_CTL\_FVC.BCMD Encodings**

Name	Value	Description
sprwr_bcmd	0b111	Spare write.
f2b_bcmd	0b110	Fill buffer read to B-Box.
f2v_bcmd	0b101	Fill buffer to victim buffer transfer.
v2v_bcmd	0b100	Victim buffer to victim buffer transfer.
v2f_bcmd	0b011	Victim buffer to fill buffer transfer.
mrg_bcmd	0b010	Merge command from B-Box.
wr_bcmd	0b001	Memory write command from B-Box.
rd_bcmd	0b000	Memory read command from B-Box.

## 2.7.5 M-Box Performance Monitoring Events

### 2.7.5.1 An Overview:

The M-box performance monitors can collect events in many of the substructures found within the M-Box including the DSP, ISS, MAP, THR, PGT, PLD and FVC (refer to [Section 2.7.4.4, “M-Box PMU Subcontrol Registers - Subunit descriptions”](#) for more detail).

A sampling of events available for monitoring in the M-Box:

- **B-Box commands** - reads, writes, fill2victim, merge, etc. Can be conditioned on fvid which allows determining average latency of M-Box and memory.
  - **B-Box responses**. Incrementing on read command and decrementing on read response allows one to determine the number of simultaneous reads in the M-Box. A max detector can log the max number of reads the M-Box received.
  - **Translated commands**: ras\_caspre, ras\_cas, cas, ras\_cas\_pre, pre, etc (can be filtered on r/w)
  - **Memory commands**: ras, cas, pre, prefetch, preall, etc.
  - **Page hits and page misses**.
    - Auto page closes.
    - Open-page to closed-**page policy transitions**. As well as length of time spent in each policy.
    - Starvation event in scheduler, starvation state and back-pressure to B-Box.
    - Thermal throttling
- and many more.

## 2.7.6 M-Box Events Ordered By Code

Table 2-84 summarizes the directly-measured M-Box events.

**Table 2-84. Performance Monitor Events for M-Box Events**

Symbol Name	CNT_CTLx[13:9]	SubCtl Dep	Max Inc/ Cyc	Description
<b>Events selected by inc_sel</b>				
DSP_FILL	0x00	DSP	1	Dispatch Queue Events
CYCLES_MFULL	0x01		1	M-Box Full Cycles
RETRY_MFULL	0x02		1	Retry MFull
RETRY_STARVE	0x03		1	Retry Starve
THERM_TRP_UP	0x04	THR	1	DIMM 'Up' Thermal Trip Points Crossed
THERM_TRP_DN	0x05	THR	1	DIMM 'Dn' Thermal Trip Points Crossed
REFRESH	0x06		1	Refresh Commands
REFRESH_CONFLICT	0x07		1	Refresh Conflict
ISS_SCHED	0x08		1	ISS Scheduling
ISS_EV	0x09	ISS	1	ISS Related Events
DRAM_CMD	0x0a	PLD,ISS	1	DRAM Commands
PLD_RETRY_EV	0x0b	PLD	1	PLD Related Retry Events
MA_PAR_ERR	0x0c		1	MA Parity Error
FVC_EV0	0x0d	FVC	1	FVC Event 0
FVC_EV1	0x0e	FVC	1	FVC Event 1
FVC_EV2	0x0f	FVC	1	FVC Event 2
FVC_EV3	0x10	FVC	1	FVC Event 3
PATROL_TXNS	0x11		1	Patrol Scrub Transaction
TRANS_CMDS	0x12		1	Translated Commands
PAGE_MISS	0x13		1	Page Table Misses
PAGE_HITS	0x14		1	Page Table Hits
PGT_PAGE_EV2	0x15	PGT	1	PGT Related Page Table Events
PGT_PAGE_EV	0x16	PGT	1	PGT Related Page Table Events
MULTICAS	0x17		1	Multi-CAS
FVID_RACE	0x18		1	FVID Race Detected
TT_CMD_CONFLICT	0x19		1	Thermal Throttling Command Conflicts
BBOX_CMDS_ALL	0x1a		1	All B-Box Commands
CYCLES	0x1b		1	M-Box Cycles
SCHED_INFLIGHT_CMDS	0x1c		1	All B-Box Commands
INFLIGHT_CMDS	0x1d		1	In-flight Commands
Symbol Name	CNT_CTLx [21:19] && CNT_CTLx[7] = 1	Max Inc/Cyc	Max Inc/ Cyc	Description
<b>Events selected by set_flag_sel</b>				
CYCLES_DSP_FILL	0x0	DSP	1	Time in DSP_FILL State

**Table 2-84. Performance Monitor Events for M-Box Events**

CYCLES_SCHED_MODE	0x1	ISS	1	Time in SCHED_MODE State
CYCLES_RETRYQ_MFULL	0x3		1	Time RetryQ MFull
CYCLES_RETRYQ_STARVED	0x4		1	Time RetryQ Starved
CYCLES_PGT_STATE	0x5	PGT	1	Time in Page Table State
BCMD_SCHEDQ_OCCUPANCY	0x6		1	B-Box Command Scheduler Queue Occupancy

## 2.7.7 M-Box Performance Monitor Event List

This section enumerates Intel® Xeon® Processor E7 Family uncore performance monitoring events for the M-Box.

### BBOX\_CMDS\_ALL

- **Title:** All B-Box Commands
- **Category:** M-Box Commands Received
- **Event Code:** 0x1a, **Max. Inc/Cyc:** 1,
- **Definition:** Number of new commands sent from the B-Box and received by the M-Box.

### BCMD\_SCHEDQ\_OCCUPANCY

- **Title:** B-Box Command Scheduler Queue Occupancy
- **Category:** Cycle Events
- **Event Code:** [21:19]0x06 && [7]0x1, **Max. Inc/Cyc:** 1,
- **Definition:** Counts the queue occupancy of the B-Box Command scheduler per FVID. The FVID (Fill Victim Index) for the command to be monitored must be programmed in MSR\_PMU\_MAP.fvid.

**Table 2-85. Unit Masks for BCMD\_SCHEDQ\_OCCUPANCY**

Extension	MAP[9:6]	Description
READS	0x0	Reads commands to M box from B box
WRITES	0x1	Write commands from B box to M box
MERGE	0x2	Merge commands from B box to M box
V2F	0x3	Victim buffer to Fill buffer transfer (V2F) command from the B-Box to the M-Box
V2V	0x4	Victim buffer to Victim buffer transfer (V2V) command from the B-Box to the M-Box
F2V	0x5	Fill buffer to Victim buffer transfer (F2V) command from the B-Box to the M-Box
F2B	0x6	Fill buffer read to B-Box (F2B) from M-Box
SPRWR	0x7	spare write commands from the B-Box to the M-Box
ALL	0x8	All B-Box Commands

### CYCLES

- **Title:** M-Box Cycles
- **Category:** Cycle Events
- **Event Code:** 0x1b, **Max. Inc/Cyc:** 1,
- **Definition:** Count M-box cycles

**CYCLES\_DSP\_FILL**

- **Title:** Time in DSP\_FILL State
- **Category:** Cycle Events
- **Event Code:** [21:19]0x00 && [7]0x1, **Max. Inc/Cyc:** 1,
- **Definition:** Counts cycles spent in state specified in M\_CSR\_PMU\_DSP register.

**Table 2-86. Unit Masks for CYCLES\_DSP\_FILL**

Extension	DSP[10:7]	Description
WRQ_EMPTY	0x8	Cycles dispatch write queue is empty
RDQ_EMPTY	0x4	Cycles dispatch read queue is empty
WRQ_FULL	0x2	Cycles dispatch write queue is full
RDQ_FULL	0x1	Cycles dispatch read queue is full

**CYCLES\_MFULL**

- **Title:** M-Box Full Cycles
- **Category:** Cycle Events
- **Event Code:** 0x01, **Max. Inc/Cyc:** 1,
- **Definition:** Number of cycles spent in the "mfull" state. Also known as the "badly starved" state.

**CYCLES\_PGT\_STATE**

- **Title:** Time in Page Table State
- **Category:** Cycle Events
- **Event Code:** [21:19]0x05 && [7]0x1, **Max. Inc/Cyc:** 1,
- **Definition:** Counts cycles page table stays in state as specified in PMU\_PGT.openscls\_time.

**Table 2-87. Unit Masks for CYCLES\_PGT\_STATE**

Extension	PGT[6]	Description
CLOSED	0x0	Closed Page Mode
OPEN	0x1	Open Page Mode

**CYCLES\_RETRYQ\_STARVED**

- **Title:** Time RetryQ Starved
- **Category:** Cycle Events
- **Event Code:** [21:19]0x4 && [7]0x1, **Max. Inc/Cyc:** 1,
- **Definition:** Counts cycles RetryQ spends in the "starved" state.

**CYCLES\_RETRYQ\_MFULL**

- **Title:** Time RetryQ MFull
- **Category:** Cycle Events
- **Event Code:** [21:19]0x3 && [7]0x1, **Max. Inc/Cyc:** 1,
- **Definition:** Counts cycles RetryQ spends in the "mfull" state. Also known as the "badly starved" state.

**CYCLES\_SCHED\_MODE**

- **Title:** Time in SCHED\_MODE State
- **Category:** Cycle Events
- **Event Code:** [21:19]0x01 && [7]0x1, **Max. Inc/Cyc:** 1,
- **Definition:** Counts cycles spent in scheduling mode specified in M\_CSR\_PMU\_ISS.sched\_mode register.

**Table 2-88. Unit Masks for CYCLES\_SCHED\_MODE**

Extension	ISS[6:4]	Description
TRADEOFF	0x0	Trade-off between read latency/write bandwidth.
RDPRIO	0x1	Minimize read latency. Reads take priority.
WRPRIO	0x2	Minimize write latency. Writes take priority.
ADAPTIVE	0x3	Adaptive.

**DRAM\_CMD**

- **Title:** DRAM Commands
- **Category:** DRAM Commands
- **Event Code:** 0x0a, **Max. Inc/Cyc:** 1,
- **Definition:** Count PLD Related DRAM Events
- **NOTE:** In order to measure a non-filtered version of the subevents, it is necessary to make sure the PLD Dep bits [13,7,0] are also set to 0

Extension	PLD Dep Bits	ISS Dep Bits	Description
ALL	[0]0x0		Advance counter when a DRAM command is detected.
ILLEGAL	[12:8]0x0		Count Invalid DRAM commands.
PREALL	[12:8]0x1		Count Preall DRAM commands.
PREALL.TRDOFF	[12:8]0x1 && [0]0x1	[9:7]0x0	Count Preall (no auto-precharge, open page mode) DRAM commands during 'static trade off' scheduling mode.
PREALL.RDPRIO	[12:8]0x1 && [0]0x1	[9:7]0x1	Count Preall (no auto-precharge, open page mode) DRAM commands during 'static read priority' scheduling mode.
PREALL.WRPRIO	[12:8]0x1 && [0]0x1	[9:7]0x2	Count Preall (no auto-precharge, open page mode) DRAM commands during 'static write priority' scheduling mode.
PREALL.ADAPTIVE	[12:8]0x1 && [0]0x1	[9:7]0x2	Count Preall (no auto-precharge, open page mode) DRAM commands during 'adaptive' scheduling mode.
RAS	[12:8]0x2		Count RAS DRAM commands.
RAS.TRDOFF	[12:8]0x2 && [0]0x1	[9:7]0x0	Count RAS (no auto-precharge, open page mode) DRAM commands during 'static trade off' scheduling mode.
RAS.RDPRIO	[12:8]0x2 && [0]0x1	[9:7]0x1	Count RAS (no auto-precharge, open page mode) DRAM commands during 'static read priority' scheduling mode.
RAS.WRPRIO	[12:8]0x2 && [0]0x1	[9:7]0x2	Count RAS (no auto-precharge, open page mode) DRAM commands during 'static write priority' scheduling mode.
RAS.ADAPTIVE	[12:8]0x2 && [0]0x1	[9:7]0x2	Count RAS (no auto-precharge, open page mode) DRAM commands during 'adaptive' scheduling mode.
CAS_RD_OPN	[12:8]0x3		Count CAS Read (no auto-precharge, open page mode) DRAM commands.
CAS_WR_OPN	[12:8]0x4		Count CAS Write (no auto-precharge, open page mode) DRAM commands.
CAS_WR_OPN.TRDOFF	[12:8]0x4 && [0]0x1	[9:7]0x0	Count CAS Write (no auto-precharge, open page mode) DRAM commands during 'static trade off' scheduling mode.
CAS_WR_OPN.RDPRIO	[12:8]0x4 && [0]0x1	[9:7]0x1	Count CAS Write (no auto-precharge, open page mode) DRAM commands during 'static read priority' scheduling mode.

Extension	PLD Dep Bits	ISS Dep Bits	Description
CAS_WR_OPN.WRPRI0	[12:8]0x4 && [0]0x1	[9:7]0x2	Count CAS Write (no auto-precharge, open page mode) DRAM commands during 'static write priority' scheduling mode.
CAS_WR_OPN.ADAPTIVE	[12:8]0x4 && [0]0x1	[9:7]0x3	Count CAS Write (no auto-precharge, open page mode) DRAM commands during 'adaptive' scheduling mode.
CAS_RD_CLS	[12:8]0x5		Count CAS Read (precharge, closed page mode) DRAM commands.
CAS_RD_CLS.TRDOFF	[12:8]0x5 && [0]0x1	[9:7]0x0	Count CAS Read (precharge, closed page mode) DRAM commands during 'static trade off' scheduling mode.
CAS_RD_CLS.RDPRI0	[12:8]0x5 && [0]0x1	[9:7]0x1	Count CAS Read (precharge, closed page mode) DRAM commands during 'static read priority' scheduling mode.
CAS_RD_CLS.WRPRI0	[12:8]0x5 && [0]0x1	[9:7]0x2	Count CAS Read (precharge, closed page mode) DRAM commands during 'static write priority' scheduling mode.
CAS_RD_CLS.ADAPTIVE	[12:8]0x5 && [0]0x1	[9:7]0x3	Count CAS Read (precharge, closed page mode) DRAM commands during 'adaptive' scheduling mode.
CAS_WR_CLS	[12:8]0x6		Count CAS Write (precharge, closed page mode) DRAM commands.
CAS_WR_CLS.TRDOFF	[12:8]0x6 && [0]0x1	[9:7]0x0	Count CAS Write (precharge, closed page mode) DRAM commands during 'static trade off' scheduling mode.
CAS_WR_CLS.RDPRI0	[12:8]0x6 && [0]0x1	[9:7]0x1	Count CAS Write (precharge, closed page mode) DRAM commands during 'static read priority' scheduling mode.
CAS_WR_CLS.WRPRI0	[12:8]0x6 && [0]0x1	[9:7]0x2	Count CAS Write (precharge, closed page mode) DRAM commands during 'static write priority' scheduling mode.
CAS_WR_CLS.ADAPTIVE	[12:8]0x6 && [0]0x1	[9:7]0x3	Count CAS Write (precharge, closed page mode) DRAM commands during 'adaptive' scheduling mode.
MRS	[12:8]0x7		Count Mode register set DRAM commands
RFR	[12:8]0x9		Count Refresh DRAM commands.
ENSR	[12:8]0xA		Count Enter Self-Refresh DRAM commands.
EXSR	[12:8]0xB		Count Exit Self-Refresh DRAM commands.
NOP	[12:8]0xC		Count NOP DRAM commands.
TRKL	[12:8]0x10		Count Write Trickle DRAM commands.
PRE	[12:8]0x11		Count PRE DRAM commands.
SYNC	[12:8]0x12		Count SYNC DRAM commands.
CKE_HI	[12:8]0x14		Count CKE High DRAM commands.
CKE_LO	[12:8]0x15		Count CKE Low DRAM commands.
SOFT_RST	[12:8]0x17		Count Soft Reset DRAM commands.
WR_CFG	[12:8]0x1C		Count Write Configuration Register DRAM commands.
RD_CFG	[12:8]0x1D		Count Read Configuration Register DRAM commands.
ZQCAL	[12:8]0x1E		Count ZQ Calibration DRAM commands.
ALL.TRDOFF	[0]0x0	[9:7]0x0	Count all DRAM commands during "static trade off" scheduling mode.
ALL.RDPRI0	[0]0x0	[9:7]0x1	Count all DRAM commands during "static read priority" scheduling mode.

Extension	PLD Dep Bits	ISS Dep Bits	Description
ALL.WRPRIO	[0]0x0	[9:7]0x2	Count all DRAM commands during "static write priority" scheduling mode.
ALL.ADAPT	[0]0x0	[9:7]0x3	Count all DRAM commands during "adaptive" scheduling mode.

## DSP\_FILL

- **Title:** Dispatch Queue Events
- **Category:** DSP Events
- **Event Code:** 0x00, **Max. Inc/Cyc:** 1,
- **Definition:** Measure a dispatch queue event.

Extension	DSP[10:7]	Description
RDQ_FULL	0x1	Cycles dispatch read queue is full
WRQ_FULL	0x2	Cycles dispatch write queue is full
RDQ_EMPTY	0x4	Cycles dispatch read queue is empty
WRQ_EMPTY	0x8	Cycles dispatch write queue is empty

## DRAM\_MISC

- **Title:** Miscellaneous DRAM Events
- **Category:** Retry Events
- **Event Code:** 0x0b, **Max. Inc/Cyc:** 1,
- **Definition:** Miscellaneous DRAM Command Events

Extension	PLD[7]	Description
RETRIES_ALL	0x0	Advance counter when a retry is detected.
RETRIES_FVID	0x1	Advance counter when a retry to a certain FVID is detected. NOTE: The FVID is programmed into PLD[6:1]
Extension	PLD[17]	Description
VALID	0x1	Count number of Valid commands
Extension	PLD[18]	Description
NON_NOP_TRKL	0x1	Count number of NOP TRKL commands
Extension	PLD Dep Bits	Description
ILLEGAL	[16]0x1 && [23:19]0x0	Count Invalid DRAM commands scheduled.
PREALL	[16]0x1 && [23:19]0x1	Count Preall DRAM commands scheduled.
RAS	[16]0x1 && [23:19]0x2	Count RAS DRAM commands scheduled.
CAS_RD_OPN	[16]0x1 && [23:19]0x3	Count CAS Read (no auto-precharge, open page mode) DRAM commands scheduled.
CAS_WR_OPN	[16]0x1 && [23:19]0x4	Count CAS Write (no auto-precharge, open page mode) DRAM commands scheduled.
CAS_RD_CLS	[16]0x1 && [23:19]0x5	Count CAS Read (precharge, closed page mode) DRAM commands scheduled.



Extension	PLD[7]	Description
CAS_WR_CLS	[16]0x1 && [23:19]0x6	Count CAS Write (precharge, closed page mode) DRAM commands scheduled.
MRS	[16]0x1 && [23:19]0x7	Count Mode register set DRAM commands scheduled
RFR	[16]0x1 && [23:19]0x9	Count Refresh DRAM commands scheduled.
ENSR	[16]0x1 && [23:19]0xA	Count Enter Self-Refresh DRAM commands scheduled.
EXSR	[16]0x1 && [23:19]0xB	Count Exit Self-Refresh DRAM commands scheduled.
NOP	[16]0x1 && [23:19]0xC	Count NOP DRAM commands scheduled.
TRKL	[16]0x1 && [23:19]0x10	Count Write Trickle DRAM commands scheduled.
PRE	[16]0x1 && [23:19]0x11	Count PRE DRAM commands scheduled.
SYNC	[16]0x1 && [23:19]0x12	Count SYNC DRAM commands scheduled.
CKE_HI	[16]0x1 && [23:19]0x14	Count CKE High DRAM commands scheduled.
CKE_LO	[16]0x1 && [23:19]0x15	Count CKE Low DRAM commands scheduled.
SOFT_RST	[16]0x1 && [23:19]0x17	Count Soft Reset DRAM commands scheduled.
WR_CFG	[16]0x1 && [23:19]0x1C	Count Write Configuration Register DRAM commands scheduled.
RD_CFG	[16]0x1 && [23:19]0x1D	Count Read Configuration Register DRAM commands scheduled.
ZQCAL	[16]0x1 && [23:19]0x1E	Count ZQ Calibration DRAM commands scheduled.

## FRM\_TYPE

- **Title:** Frame (Intel SMI) Types
- **Category:** DRAM Commands
- **Event Code:** 0x09, **Max. Inc/Cyc:** 1,
- **Definition:** Count ISS Related Intel SMI Frame Type Events

Extension	ISS[3:0] Bits	Description
FRM_TYPE_3CMD	0x0	Counts 3CMD (3-command) Intel SMI frames
FRM_TYPE_WDAT	0x1	Counts WDAT (Write Data) Intel SMI frames
FRM_TYPE_SYNC	0x2	Counts SYNC Intel SMI frames
FRM_TYPE_CHNL	0x3	Counts CHNL (channel) Intel SMI frames
---	0x7-0x4	(*illegal selection*)
FRM_TYPE_NOP	0x8	Counts nop Intel SMI frames
---	0xb-0x9	(*illegal selection*)
FRM_TYPE_1CMD	0xc	Counts all 1CMD (1-command) Intel SMI frames
---	0xf-0xd	(*illegal selection*)

**FVC\_EVO**

- **Title:** FVC Event 0
- **Category:** FVC Events
- **Event Code:** 0x0d, **Max. Inc/Cyc:** 1,
- **Definition:** Measure an FVC related event.
- **NOTE:** It is possible to program the FVC register such that up to 4 events from the FVC can be independently monitored. However, the `bcmd_match` and `resp_match` subevents depend on the setting of **additional** bits in the FVC register (11:9 and 8:5 respectively). Therefore, only **ONE** `FVC_EVx.bcmd_match` event may be monitored at any given time. The same holds true for `FVC_EVx.resp_match`

**Table 2-89. Unit Masks for FVC\_EVO**

Extension	FVC [14:12]	FVC [11:9]	FVC [8:6]	Description
SMI_CRC_ERR	0x0			Count link level Intel SMI CRC errors
MEM_ECC_ERR	0x1			Count memory ECC errors (that is not a link-level CRC error)
POISON_TXN	0x2			Count poison (directory of a write to memory was encoded as poisoned) transactions
ALERT_FRAMES	0x3			Counts alert frames
FAST_RESET	0x4			Fast reset request from M-Boxes
BBOX_CMDS.READS <sup>a</sup>	0x5		0x0	Reads commands to M box from B box (e.g. reads from memory)
BBOX_CMDS.WRITEs	0x5		0x1	Write commands from B box to M box (e.g. writes to memory)
BBOX_RSP.ACK	0x6	0x0		Counts positive acknowledgements. No error was detected.
BBOX_RSP.RETRY	0x6	0x1		Count Retry Responses. Possibly a correctable error. Retries are generated until it is decided that the error was either correctable or uncorrectable.
BBOX_RSP.COR	0x6	0x2		Counts corrected (for example, after error trials or just by a retry)
BBOX_RSP.UNCOR	0x6	0x3		Count Uncorrectable Responses.
BBOX_RSP.SPEC_ACK	0x6	0x4		Speculative positive acknowledgement for optimized read flow. No error was detected for the transaction.
BBOX_RSP.SPR_ACK	0x6	0x5		Count positive acknowledgements for command to misbehaving DIMM during sparing. No error was detected for the transaction.
---	0x6	0x6		(*nothing will be counted*)
BBOX_RSP.SPR_UNCOR	0x6	0x7		Counts Uncorrectable responses to B-Box as a result of commands issued to misbehaving DIMM during sparing
SMI_NB_TRIG	0x7			Select Intel SMI Northbound debug event bits from Intel SMI status frames as returned from the Intel (WSM-EX) Scalable Memory Buffers. Used for Debug purposes

- a. This event includes reads incurred by the patrol scrubber which periodically (at an interval set by the BIOS) reads all lines in memory.

**FVC\_EV1**

- **Title:** FVC Event 1
- **Category:** FVC Events
- **Event Code:** 0x0e, **Max. Inc/Cyc:** 1,
- **Definition:** Measure an FVC related event.
- **NOTE:** It is possible to program the FVC register such that up to 4 events from the FVC can be independently monitored. However, the `bcmd_match` and `resp_match` subevents depend on the setting of **additional** bits in the FVC register (11:9 and 8:5 respectively). Therefore, only **ONE** `FVC_EVx.bcmd_match` event may be monitored at any given time. The same holds true for `FVC_EVx.resp_match`

**Table 2-90. Unit Masks for FVC\_EV1**

Extension	FVC [17:15]	FVC [11:9]	FVC [8:6]	Description
SMI_CRC_ERR	0x0			Count link level Intel SMI CRC errors
MEM_ECC_ERR	0x1			Count memory ECC errors (that is not a link-level CRC error)
POISON_TXN	0x2			Count poison (directory of a write to memory was encoded as poisoned) transactions
ALERT_FRAMES	0x3			Counts alert frames
FAST_RESET	0x4			Fast reset request from M-Boxes
BBOX_CMDS.READS <sup>a</sup>	0x5		0x0	Reads commands to M box from B box (e.g. reads from memory)
BBOX_CMDS.WRITEs	0x5		0x1	Write commands from B box to M box (e.g. writes from memory)
BBOX_RSP.ACK	0x6	0x0		Counts positive acknowledgements. No error was detected.
BBOX_RSP.RETRY	0x6	0x1		Count Retry Responses. Possibly a correctable error. Retries are generated until it is decided that the error was either correctable or uncorrectable.
BBOX_RSP.COR	0x6	0x2		Counts corrected (for example, after error trials or just by a retry)
BBOX_RSP.UNCOR	0x6	0x3		Count Uncorrectable Responses.
BBOX_RSP.SPEC_ACK	0x6	0x4		Speculative positive acknowledgement for optimized read flow. No error was detected for the transaction.
BBOX_RSP.SPR_ACK	0x6	0x5		Count positive acknowledgements for command to misbehaving DIMM during sparing. No error was detected for the transaction.
---	0x6	0x6		(*nothing will be counted*)
BBOX_RSP.SPR_UNCOR	0x6	0x7		Counts Uncorrectable responses to B-Box as a result of commands issued to misbehaving DIMM during sparing
SMI_NB_TRIG	0x7			Select Intel SMI Northbound debug event bits from Intel SMI status frames as returned from the Intel (WSM-EX) Scalable Memory Buffers. Used for Debug purposes

- a. This event includes reads incurred by the patrol scrubber which periodically (at an interval set by the BIOS) reads all lines in memory.

**FVC\_EV2**

- **Title:** FVC Event 2
- **Category:** FVC Events
- **Event Code:** 0x0f, **Max. Inc/Cyc:** 1,
- **Definition:** Measure an FVC related event.
- **NOTE:** It is possible to program the FVC register such that up to 4 events from the FVC can be independently monitored. However, the `bcmd_match` and `resp_match` subevents depend on the setting of **additional** bits in the FVC register (11:9 and 8:5 respectively). Therefore, only **ONE** `FVC_EVx.bcmd_match` event may be monitored at any given time. The same holds true for `FVC_EVx.resp_match`

**Table 2-91. Unit Masks for FVC\_EV2**

Extension	FVC [20:18]	FVC [11:9]	FVC [8:6]	Description
SMI_CRC_ERR	0x0			Count link level Intel SMI CRC errors
MEM_ECC_ERR	0x1			Count memory ECC errors (that is not a link-level CRC error)
POISON_TXN	0x2			Count poison (directory of a write to memory was encoded as poisoned) transactions
ALERT_FRAMES	0x3			Counts alert frames
FAST_RESET	0x4			Fast reset request from M-Boxes
BBOX_CMDS.READS <sup>a</sup>	0x5		0x0	Reads commands to M box from B box (e.g. reads from memory)
BBOX_CMDS.WRITEs	0x5		0x1	Write commands from B box to M box (e.g. writes from memory)
BBOX_RSP.ACK	0x6	0x0		Counts positive acknowledgements. No error was detected.
BBOX_RSP.RETRY	0x6	0x1		Count Retry Responses. Possibly a correctable error. Retries are generated until it is decided that the error was either correctable or uncorrectable.
BBOX_RSP.COR	0x6	0x2		Counts corrected (for example, after error trials or just by a retry)
BBOX_RSP.UNCOR	0x6	0x3		Count Uncorrectable Responses.
BBOX_RSP.SPEC_ACK	0x6	0x4		Speculative positive acknowledgement for optimized read flow. No error was detected for the transaction.
BBOX_RSP.SPR_ACK	0x6	0x5		Count positive acknowledgements for command to misbehaving DIMM during sparing. No error was detected for the transaction.
---	0x6	0x6		(*nothing will be counted*)
BBOX_RSP.SPR_UNCOR	0x6	0x7		Counts Uncorrectable responses to B-Box as a result of commands issued to misbehaving DIMM during sparing
SMI_NB_TRIG	0x7			Select Intel SMI Northbound debug event bits from Intel SMI status frames as returned from the Intel (WSM-EX) Scalable Memory Buffers. Used for Debug purposes

- a. This event includes reads incurred by the patrol scrubber which periodically (at an interval set by the BIOS) reads all lines in memory.

**FVC\_EV3**

- **Title:** FVC Event 3
- **Category:** FVC Events
- **Event Code:** 0x10, **Max. Inc/Cyc:** 1,
- **Definition:** Measure an FVC related event.
- **NOTE:** It is possible to program the FVC register such that up to 4 events from the FVC can be independently monitored. However, the `bcmd_match` and `resp_match` subevents depend on the setting of **additional** bits in the FVC register (11:9 and 8:5 respectively). Therefore, only **ONE** `FVC_EVx.bcmd_match` event may be monitored at any given time. The same holds true for `FVC_EVx.resp_match`

**Table 2-92. Unit Masks for FVC\_EV3**

Extension	FVC [23:21]	FVC [11:9]	FVC [8:6]	Description
SMI_CRC_ERR	0x0			Count link level Intel SMI CRC errors
MEM_ECC_ERR	0x1			Count memory ECC errors (that is not a link-level CRC error)
POISON_TXN	0x2			Count poison (directory of a write to memory was encoded as poisoned) transactions
ALERT_FRAMES	0x3			Counts alert frames
FAST_RESET	0x4			Fast reset request from M-Boxes
BBOX_CMDS.READS <sup>a</sup>	0x5		0x0	Reads commands to M box from B box (e.g. reads from memory)
BBOX_CMDS.WRITEs	0x5		0x1	Write commands from B box to M box (e.g. writes from memory)
BBOX_RSP.ACK	0x6	0x0		Counts positive acknowledgements. No error was detected.
BBOX_RSP.RETRY	0x6	0x1		Count Retry Responses. Possibly a correctable error. Retries are generated until it is decided that the error was either correctable or uncorrectable.
BBOX_RSP.COR	0x6	0x2		Counts corrected (for example, after error trials or just by a retry)
BBOX_RSP.UNCOR	0x6	0x3		Count Uncorrectable Responses.
BBOX_RSP.SPEC_ACK	0x6	0x4		Speculative positive acknowledgement for optimized read flow. No error was detected for the transaction.
BBOX_RSP.SPR_ACK	0x6	0x5		Count positive acknowledgements for command to misbehaving DIMM during sparing. No error was detected for the transaction.
---	0x6	0x6		(*nothing will be counted*)
BBOX_RSP.SPR_UNCOR	0x6	0x7		Counts Uncorrectable responses to B-Box as a result of commands issued to misbehaving DIMM during sparing
SMI_NB_TRIG	0x7			Select Intel SMI Northbound debug event bits from Intel SMI status frames as returned from the Intel (WSM-EX) Scalable Memory Buffers. Used for Debug purposes

- a. This event includes reads incurred by the patrol scrubber which periodically (at an interval set by the BIOS) reads all lines in memory.

**FVID\_RACE**

- **Title:** FVID Race Detected
- **Category:** Misc
- **Event Code:** 0x18, **Max. Inc/Cyc:** 1,
- **Definition:** Number of FVID (Fill Victim Index) races detected.
- **NOTE:** This is a race condition where an IMT entry is recycled prematurely. It should not be observable in hardware.

**INFLIGHT\_CMDS**

- **Title:** In-flight Commands
- **Category:** M-Box Commands Received
- **Event Code:** 0x1d, **Max. Inc/Cyc:** 1,
- **Definition:** Number of new memory controller (read and write) commands accepted

**ISS\_SCHED**

- **Title:** ISS Scheduling
- **Category:** M-Box Commands Received
- **Event Code:** 0x08, **Max. Inc/Cyc:** 1,
- **Definition:** ISS Scheduling

Extension	ISS Bits[10]	Description
CHANGES	0x0	Number of ISS scheduling mode transitions detected.
FRAME_BEAT	0x1	Number of Frame Beats

**MA\_PAR\_ERR**

- **Title:** MA Parity Error
- **Category:** Misc
- **Event Code:** 0x0c, **Max. Inc/Cyc:** 1,
- **Definition:** Number of MA even parity errors detected.

**MULTICAS**

- **Title:** Multi-CAS
- **Category:** Misc
- **Event Code:** 0x17, **Max. Inc/Cyc:** 1,
- **Definition:** Number of Multi-CAS patrol transactions detected. This is an indication of multiple CAS commands to the same open page, and should correlate to page hit rate.

**PAGE\_HIT**

- **Title:** Page Table Hit
- **Category:** Page Table Related
- **Event Code:** 0x14, **Max. Inc/Cyc:** 1,
- **Definition:** Number of page hits detected. This is a command that requires a only a CAS to complete.

**PAGE\_MISS**

- **Title:** Page Table Misses
- **Category:** Page Table Related
- **Event Code:** 0x13, **Max. Inc/Cyc:** 1,
- **Definition:** Number of page misses detected. This is a command that requires a PRE-RAS-CAS to complete.

**PATROL\_TXNS**

- **Title:** Patrol Scrub Transaction
- **Category:** Misc
- **Event Code:** 0x11, **Max. Inc/Cyc:** 1,
- **Definition:** Number of patrol scrub transactions detected.

**PGT\_PAGE\_EV**

- **Title:** PGT Related Page Table Events
- **Category:** Page Table Related
- **Event Code:** 0x16, **Max. Inc/Cyc:** 1,
- **Definition:** Counts PGT Related Page Table Events.

Extension	PGT Bits[0]	Description
OPN2CLS	0x0	Advance counter when an open-to-closed page mode transition is detected.
CLS2OPN	0x1	Advance counter when an closed-to-open page mode transition is detected.

**PGT\_PAGE\_EV2**

- **Title:** PGT Related Page Table Events
- **Category:** Page Table Related
- **Event Code:** 0x15, **Max. Inc/Cyc:** 1,
- **Definition:** Counts PGT Related Page Table Events.

Extension	PGT Bits[11]	Description
AUTO_CLS	0x0	Number of page auto close commands.
PAGE_EMPTY	0x1	Number of empty page hits. Number of transactions accessing a bank with no open page. The page was previously closed either because it has never been opened, was closed via a CASpre, closed explicitly by the idle page closing mechanism, or closed by a PREALL in order to do a refresh. This is command that requires a RAS-CAS to complete.

**REFRESH**

- **Title:** Refresh Commands
- **Category:** DRAM Commands
- **Event Code:** 0x06, **Max. Inc/Cyc:** 1,
- **Definition:** Advance counter when a refresh command is detected.

**REFRESH\_CONFLICT**

- **Title:** Refresh Conflict
- **Category:** DRAM Commands
- **Event Code:** 0x07, **Max. Inc/Cyc:** 1,
- **Definition:** Number of refresh conflicts detected. A refresh conflict is a conflict between a read/write transaction and a refresh command to the same rank.

**RETRY\_MFULL**

- **Title:** Retry MFull
- **Category:** Retry Events
- **Event Code:** 0x02, **Max. Inc/Cyc:** 1,
- **Definition:** Number of retries detected while in the "mfull" state. Also known as the "badly starved" state.

**RETRY\_STARVE**

- **Title:** Retry Starve
- **Category:** Retry Events
- **Event Code:** 0x03, **Max. Inc/Cyc:** 1,
- **Definition:** Number of retries detected while in the "starved" state.

**SCHED\_INFLIGHT\_CMDS**

- **Title:** Scheduler In-flight Commands
- **Category:** M-Box Commands Received
- **Event Code:** 0x1c, **Max. Inc/Cyc:** 1,
- **Definition:** Number of new scheduler commands that were accepted.

**THERM\_TRP\_DN**

- **Title:** DIMM `Dn` Thermal Trip Points Crossed
- **Category:** Thermal Throttle
- **Event Code:** 0x05, **Max. Inc/Cyc:** 1,
- **Definition:** Counts when a specified thermal trip point is crossed in the "down" direction.

Extension	THR Bits [10:9],[3]	Description
ALL.GT_MID_RISE	0x3,0x1	Advance the counter when the above mid temp thermal trip point (rising) is crossed in the "down" direction for any DIMM
ALL.GT_MID_FALL	0x2,0x1	Advance the counter when the above mid temp thermal trip point (falling) is crossed in the "down" direction for any DIMM
ALL.GT_LO	0x1,0x1	Advance the counter when the above low temp, but below mid temp thermal trip point is crossed in the "down" direction for any DIMM.
ALL.LT_LO	0x0,0x1	Advance the counter when the below low temp thermal trip point is crossed in the "down" direction for any DIMM
DIMM{n}.GT_MID_RISE	0x3,0x0	Advance the counter when the above mid temp thermal trip point (rising) is crossed in the "down" direction for DIMM #. NOTE: THR Bits [6:4] must be programmed with the DIMM #
DIMM{n}.GT_MID_FALL	0x2,0x0	Advance the counter when the above mid temp thermal trip point (falling) is crossed in the "down" direction for DIMM #. NOTE: THR Bits [6:4] must be programmed with the DIMM #
DIMM{n}.GT_LO	0x1,0x0	Advance the counter when the above low temp, but below mid temp thermal trip point is crossed in the "down" direction for DIMM #. NOTE: THR Bits [6:4] must be programmed with the DIMM #
DIMM{n}.LT_LO	0x0,0x0	Advance the counter when the below low temp, but below mid temp thermal trip point is crossed in the "down" direction for DIMM #. NOTE: THR Bits [6:4] must be programmed with the DIMM #



**THERM\_TRP\_UP**

- **Title:** DIMM 'Up' Thermal Trip Points Crossed
- **Category:** Thermal Throttle
- **Event Code:** 0x04, **Max. Inc/Cyc:** 1,
- **Definition:** Counts when a specified thermal trip point is crossed in the "up" direction.

Extension	THR Bits [8:7],[3]	Description
ALL.GT_MID_RISE	0x3,0x1	Advance the counter when the above mid temp thermal trip point (rising) is crossed in the "up" direction for any DIMM
ALL.GT_MID_FALL	0x2,0x1	Advance the counter when the above mid temp thermal trip point (falling) is crossed in the "up" direction for any DIMM
ALL.GT_LO	0x1,0x1	Advance the counter when the above low temp, but below mid temp thermal trip point is crossed in the "up" direction for any DIMM.
ALL.LT_LO	0x0,0x1	Advance the counter when the below low temp thermal trip point is crossed in the "up" direction for any DIMM
DIMM{n}.GT_MID_RISE	0x3,0x0	Advance the counter when the above mid temp thermal trip point (rising) is crossed in the "up" direction for DIMM #. NOTE: THR Bits [6:4] must be programmed with the DIMM #
DIMM{n}.GT_MID_FALL	0x2,0x0	Advance the counter when the above mid temp thermal trip point (falling) is crossed in the "up" direction for DIMM #. NOTE: THR Bits [6:4] must be programmed with the DIMM #
DIMM{n}.GT_LO	0x1,0x0	Advance the counter when the above low temp, but below mid temp thermal trip point is crossed in the "up" direction for DIMM #. NOTE: THR Bits [6:4] must be programmed with the DIMM #
DIMM{n}.LT_LO	0x0,0x0	Advance the counter when the below low temp, but below mid temp thermal trip point is crossed in the "up" direction for DIMM #. NOTE: THR Bits [6:4] must be programmed with the DIMM #

**TRANS\_CMDS**

- **Title:** Translated Commands
- **Category:** Dispatch Queue
- **Event Code:** 0x12, **Max. Inc/Cyc:** 1,
- **Definition:** Counts read/write commands entered into the Dispatch Queue.

**TT\_CMD\_CONFLICT**

- **Title:** Thermal Throttling Command Conflicts
- **Category:** Thermal Throttle
- **Event Code:** 0x19, **Max. Inc/Cyc:** 1,
- **Definition:** Count command conflicts due to thermal throttling.

## 2.8 W-Box Performance Monitoring

### 2.8.1 Overview of the W-Box

The W-Box is the primary Power Controller for the Intel® Xeon® Processor E7 Family.

### 2.8.2 W-Box Performance Monitoring Overview

The W-Box supports event monitoring through four 48-bit wide counters (`W_MSR_PERF_CNT{3:0}`). Each of these four counters can be programmed to count any W-Box event. The W-Box counters will increment by a maximum of 1 per cycle.

The W-Box also provides a 48-bit wide fixed counter that increments at the uncore clock frequency.

For information on how to setup a monitoring session, refer to [Section 2.1, "Global Performance Monitoring Control Counter Overflow"](#).

- Umask enables core to scope events for each core (one-hot encoding) (Bit 0 in umask for Core 0, Bit 1 in umask for core 1, etc.).

#### 2.8.2.1 W-Box PMU - Overflow, Freeze and Unfreeze

If an overflow is detected from a W-Box performance counter, the overflow bit is set at the box level (`W_MSR_PMON_GLOBAL_STATUS.ov/ov_fixed`), and forwarded to the U-Box where it is also captured (`U_MSR_PMON_GLOBAL_STATUS.ov_w`).

HW can be also configured (by setting the corresponding `.pmi_en` to 1) to send a PMI to the U-Box when an overflow is detected. The U-Box may be configured to freeze all uncore counting and/or send a PMI to selected cores when it receives this signal.

Once a freeze has occurred, in order to see a new freeze, the overflow field responsible for the freeze, must be cleared by setting the corresponding bit in `W_MSR_PMON_GLOBAL_OVF_CTL.clr_ov/ clr_ov_fixed`. Assuming all the counters have been locally enabled (`.en` bit in data registers meant to monitor events) and the overflow bit(s) has been cleared, the W-Box is prepared for a new sample interval. Once the global controls have been re-enabled ([Section 2.1.5, "Enabling a New Sample Interval from Frozen Counters"](#)), counting will resume.

## 2.8.3 W-BOX Performance Monitors

**Table 2-93. W-Box Performance Monitoring MSRs**

MSR Name	Access	MSR Address	Size (bits)	Description
W_MSR_PMON_FIXED_CTL_CTL	RW_RW	0x395	64	W-Box PMON Fixed Counter Control
W_MSR_PMON_FIXED_COUNTER	RW_RW	0x394	64	W-Box PMON Fixed Counter
W_MSR_PMON_COUNTER_3	RW_RW	0xC97	64	W-Box PMON Counter 3
W_MSR_PMON_CTRL_3	RW_RW	0xC96	64	W-Box PMON Control 3
W_MSR_PMON_COUNTER_2	RW_RW	0xC95	64	W-Box PMON Counter 2
W_MSR_PMON_CTRL_2	RW_RW	0xC94	64	W-Box PMON Control 2
W_MSR_PMON_COUNTER_1	RW_RW	0xC93	64	W-Box PMON Counter 1
W_MSR_PMON_CTRL_1	RW_RW	0xC92	64	W-Box PMON Control 1
W_MSR_PMON_COUNTER_0	RW_RW	0xC91	64	W-Box PMON Counter 0
W_MSR_PMON_CTRL_0	RW_RW	0xC90	64	W-Box PMON Control 0
W_MSR_PMON_GLOBAL_OVERFLOW_CTL	RW_RW	0xC82	32	W-Box PMON Global Overflow Control
W_MSR_PMON_GLOBAL_STATUS	RW_RW	0xC81	32	W-Box PMON Global Overflow Status
W_MSR_PMON_GLOBAL_CTL	RW_RW	0xC80	32	W-Box PMON Global Control

### 2.8.3.1 W-Box Box Level PMON state

The following registers represent the state governing all box-level PMUs in the W-Box.

The `_GLOBAL_CTL` register contains the bits used to enable monitoring. It is necessary to set the `.ctr_en/fixed_en` bit to 1 before the corresponding data register can collect events.

If an overflow is detected from one of the W-Box PMON registers, the corresponding bit in the `_GLOBAL_STATUS.ov/ov_fixed` field will be set. To reset the overflow bits set in the `_GLOBAL_STATUS.ov/ov_fixed` field, a user must set the corresponding bits in the `_GLOBAL_OVF_CTL.clr_ov/clr_ov_fixed` field before beginning a new sample interval.

**Table 2-94. W\_MSR\_PMON\_GLOBAL\_CTL Register Fields**

Field	Bits	HW Reset Value	Description
fixed_en	31	0	Enable the fixed counter
ig	30:4	0	Read zero; writes ignored.
ctr_en	3:0	0	Must be set to enable each WBOX counter (bit 0 to enable ctr0, etc) NOTE: U-Box enable and per counter enable must also be set to fully enable the counter.

**Table 2-95. W\_MSR\_PMON\_GLOBAL\_STATUS Register Fields**

Field	Bits	HW Reset Value	Description
ov_fixed	31	0	If an overflow is detected from the WBOX PMON fixed counter, this bit will be set.
ig	30:4	0	Read zero; writes ignored.
ov	3:0	0	If an overflow is detected from the corresponding WBOX PMON register, it's overflow bit will be set.

**Table 2-96. W\_MSR\_PMON\_GLOBAL\_OVF\_CTRL Register Fields**

Field	Bits	HW Reset Value	Description
clr_ov_fixed	31	0	Writing '1' to bit in field causes corresponding bit in 'Overflow PerfMon Counter' field in W_MSR_PMON_GLOBAL_STATUS register to be cleared to 0.
ig	30:4	0	Read zero; writes ignored.
clr_ov	5:0	0	Writing '1' to bit in field causes corresponding bit in 'Overflow PerfMon Counter' field in W_MSR_PMON_GLOBAL_STATUS register to be cleared to 0.

### 2.8.3.2 W-Box PMON state - Counter/Control Pairs

The following table defines the layout of the W-Box performance monitor control registers. The main task of these configuration registers is to select the event to be monitored by their respective data counter. Setting the `.ev_sel` and `.umask` fields performs the event selection. The `.en` bit must be set to 1 to enable counting.

Additional control bits include:

- `.pmi_enable` governs what to do if an overflow is detected.
- `.threshold` - since C-Box counters can increment by a value greater than 1, a threshold can be applied. If the `.threshold` is set to a non-zero value, that value is compared against the incoming count for that event in each cycle. If the incoming count is  $\geq$  the threshold value, then the event count captured in the data register will be incremented by 1. (Not present in fixed counter)
- `.invert` - Changes the `.threshold` test condition to '<' (Not present in fixed counter)
- `.edge_detect` - Rather than accumulating the raw count each cycle (for events that can increment by 1 per cycle), the register can capture transitions from no event to an event incoming. (Not present in fixed counter)

**Table 2-97. W\_MSR\_PMON\_EVT\_SEL\_{3-0} Register – Field Definitions**

Field	Bits	HW Reset Value	Description
ig	63	0	Read zero; writes ignored.
rsv	62:61	0	Reserved; Must write to 0 else behavior is undefined.
ig	60:51	0	Read zero; writes ignored.
rsv	50	0	Reserved; Must write to 0 else behavior is undefined.
ig	49:32	0	Read zero; writes ignored.
thresh	31:24	0	Threshold used for counter comparison.
invert	23	0	Invert threshold comparison. When '0', the comparison will be thresh >= event. When '1', the comparison will be threshold < event.
en	22	0	Counter enable
ig	21	0	Read zero; writes ignored.
pmi_en	20	0	PMI Enable. If bit is set, when corresponding counter overflows, a PMI exception is sent to the U-Box.
ig	19	0	Read zero; writes ignored.
edge_detect	18	0	Edge Detect. When bit is set, 0->1 transition of a one bit event input will cause counter to increment. When bit is 0, counter will increment for however long event is asserted.
ig	17:16	0	Read zero; writes ignored.
umask	15:8	0	In W-Box, this field is used to enable core scope events per core. Bit 0 masks Core 0, bit 1 masks Core 1, etc.
ev_sel	7:0	0	Event Select

**Table 2-98. W\_MSR\_PMON\_FIXED\_CTR\_CTL Register – Field Definitions**

Field	Bits	HW Reset Value	Description
ig	63:3	0	Read zero; writes ignored.
rsv	2	0	Reserved; Must write to 0 else behavior is undefined.
pmi_en	1	0	PMI Enable. If bit is set, when corresponding counter overflows, a PMI exception is sent to the U-Box.
en	0	0	Counter enable

The W-Box performance monitor data registers are 48b wide. A counter overflow occurs when a carry out bit from bit 47 is detected. Software can force all uncore counting to freeze after N events by preloading a monitor with a count value of  $(2^{48} - 1) - N$  and setting the control register to send a PMI to the U-Box. Upon receipt of the PMI, the U-Box will disable counting ( [Section 2.1.1, "Freezing on Counter Overflow"](#)). During the interval of time between overflow and global disable, the counter value will wrap and continue to collect events.

In this way, software can capture the precise number of events that occurred between the time uncore counting was enabled and when it was disabled (or 'frozen') with minimal skew.

If accessible, software can continuously read the data registers without disabling event collection.

**Table 2-99. W\_MSR\_PMON\_CTR\_{3-0} Register – Field Definitions**

Field	Bits	HW Reset Value	Description
event_count	47:0	0	48-bit performance event counter

**Table 2-100. W\_MSR\_PMON\_FIXED\_CTR Register – Field Definitions**

Field	Bits	HW Reset Value	Description
event_count	47:0	0	48-bit performance event counter

Note: Due to an errata found within the Intel® Xeon® Processor E7 Family, SW must consider two special cases:

- If SW reads a counter whose value ends in 0x000000 or 0x000001, SW should subtract 0x1000000 to get the correct value.
- SW should not set up a sample interval whose value ends in either 0xfffffe or 0xfffff.

## 2.8.4 W-BOX Performance Monitoring Events

### 2.8.4.1 An Overview:

The W-Box's primary offering to understanding the impact of the uncore on performance is the fixed counter. This counter, which increments at the frequency of the uncore clock, can be used to add a time element to numerous events across the uncore.

Beyond that, the W-Box provides a smattering of events that indicating when, and under what circumstances, the W-Box throttled the chip due to power constraints.

## 2.8.5 W-Box Events Ordered By Code

Table 2-101 summarizes the directly-measured W-Box events.

**Table 2-101. Performance Monitor Events for W-Box Events**

Symbol Name	Event Code	Max Inc/ Cyc	Description
C_THROTTLE_TMP	0x00	1	Core Throttled due to Temp
C_CO_THROTTLE_DIE	0x01	1	Core Throttled in CO
PROCHOT	0x02	1	Prochot
CO_THROTTLE_PROCHOT	0x03	1	Core Throttled in CO due to FORCEPR
C_CYCLES_TURBO	0x04	1	Core in CO at Turbo
TM1_ON	0x07	1	TM1 Throttling On
RATIO_CHANGE_ABORT	0x08	1	Ratio Change Abort

## 2.8.6 W-Box Performance Monitor Event List

This section enumerates Intel Xeon Processor (WSM-EX) Series uncore performance monitoring events for the W-Box.

### C\_CYCLES\_TURBO

- **Title:** Core in C0 at Turbo
- **Category:** W-Box Events
- **Event Code:** 0x04, **Max. Inc/Cyc:** 1,
- **Definition:** Selected core is in C0 and operating at a 'Turbo' operating point.

### C\_C0\_THROTTLE\_DIE

- **Title:** Core Throttled in C0
- **Category:** W-Box Events
- **Event Code:** 0x01, **Max. Inc/Cyc:** 1,
- **Definition:** Selected core is in C0 and is throttling.

### C\_C0\_THROTTLE\_PROCHOT

- **Title:** Core Throttled in C0 due to FORCEPR
- **Category:** W-Box Events
- **Event Code:** 0x03, **Max. Inc/Cyc:** 1,
- **Definition:** Selected core is in C0 and is throttling due to FORCEPR assertion.

### C\_THROTTLE\_TMP

- **Title:** Core Throttled due to Temp
- **Category:** W-Box Events
- **Event Code:** 0x00, **Max. Inc/Cyc:** 1,
- **Definition:** Temperature of the selected core is at or above the throttle temperature.

### PROCHOT

- **Title:** Prochot
- **Category:** W-Box Events
- **Event Code:** 0x02, **Max. Inc/Cyc:** 1,
- **Definition:** Package is asserting the PROCHOT output.

### RATIO\_CHANGE\_ABORT

- **Title:** Ratio Change Abort
- **Category:** W-Box Events
- **Event Code:** 0x08, **Max. Inc/Cyc:** 1,
- **Definition:** Selected core aborted a ratio change request.

### TM1\_ON

- **Title:** TM1 Throttling On
- **Category:** W-Box Events
- **Event Code:** 0x07, **Max. Inc/Cyc:** 1,
- **Definition:** Selected core is in C0 and TM1 throttling is occurring.

## 2.9 Packet Matching Reference

In several boxes (S, R and B), the performance monitoring infrastructure allows a user to filter packet traffic according to certain fields. A couple common fields, the Message Class/Opcode fields, have been summarized in the following tables.

**Table 2-102. Intel® QuickPath Interconnect Packet Message Classes**

Code	Name	Definition
b0000	HOM0	Home - Requests
b0001	HOM1	Home - Responses
b0010	NDR	Non-Data Responses
b0011	SNP	Snoops
b0100	NCS	Non-Coherent Standard
---		
b1100	NCB	Non-Coherent Bypass
---		
b1110	DRS	Data Response



**Table 2-103. Opcode Match by Message Class**

<b>Opc</b>	<b>HOMO</b>	<b>HOM1</b>	<b>SNP</b>	<b>DRS</b>
0000	RdCur	Rspl	SnpCur	DataC_(FEIMS)
0001	RdCode	RspS	SnpCode	DataC_(FEIMS)_FrcAckCnflt
0010	RdData	---	SnpData	DataC_(FEIMS)_Cmp
0011	NonSnpRd	---	---	DataNc
0100	RdInvOwn	RspCnflt	SnpInvOwn	WblData
0101	InvXtol	---	SnpInvXtol	WbSData
0110	EvctCln	RspCnfltOwn	---	WbEData
0111	NonSnpWr	---	---	NonSnpWrData
1000	InvltoE	RspFwd	SnpInvltoE	WblDataPtl
1001	AckCnfltWbl	RspFwdl	---	---
1010	---	RspFwdS	---	WbEDataPtl
1011	---	RspFwdlWb	---	NonSnpWrdataPtl
1100	WbMtol	RspFwdSWb	---	---
1101	WbMtoE	RsplWb	---	---
1110	WbMtoS	RspSWb	---	---
1111	AckCnflt	---	PrefetchHint	---
<b>Opc</b>	<b>NDR</b>	<b>NCB</b>	<b>NCS</b>	
0000	Gnt_Cmp	NcWr	NcRd	
0001	Gnt_FrcAckCnflt	WcWr	IntAck	
0010	---	---	---	
0011	---	---	FERR	
0100	CmpD	---	NcRdPtl	
0101	AbortTO	---	NcCfgRd	
0110	---	---	---	
0111	---	---	NcIORd	
1000	Cmp	NcMsgB	---	
1001	FrcAckCnflt	IntLogical	NcCfgWr	
1010	Cmp_FwdCode	IntPhysical	---	
1011	Cmp_FwdInvOwn	IntPrioUpd	NcIOWr	
1100	Cmp_FwdInvltoE	NcWrPtl	NcMsgS	
1101	---	WcWrPtl	NcP2PS	
1110	---	NcP2PB	---	
1111	---	DebugData	---	

**Table 2-104. Opcodes (Alphabetical Listing)**

Name	Opc	MC	Gen By?	Desc
AbortTO	0101	NDR		Abort Time-out Response
AckCnflt	1111	HOMO		Acknowledge receipt of Data_* and Cmp/FrcAckCnflt, signal a possible conflict scenario.
AckCnfltWbl	1001	HOMO		In addition to signaling AckCnflt, the caching agent has also written the dirty cache line data plus any partial write data back to memory in a WBiData[PtI] message and transitioned the cache line state to I.
Cmp	1000	NDR	Uo	All snoop responses gathered, no conflicts
CmpD	0100	NDR	Uo	Completion with Data
Cmp_FwdCode	1010	NDR		Complete request, forward the line in F (or S) state to the requestor specified, invalidate local copy or leave it in S state.
Cmp_FwdInvtoE	1100	NDR		Complete request, invalidate local copy
Cmp_FwdInvOwn	1011	NDR		Complete request, forward the line in E or M state to the requestor specified, invalidate local copy
DataC_(FEIMS)	0000	DRS		Data Response in (FEIMS) state NOTE: Set RDS field to specify which state is to be measured. - Intel® Xeon® Processor E7 Family supports getting data in E, F, I or M state
DataC_(FEIMS)_Cmp	0010	DRS		Data Response in (FEIMS) state, Complete NOTE: Set RDS field to specify which state is to be measured. - Intel® Xeon® Processor E7 Family supports getting data in E, F or I state
DataC_(FEIMS)_FrcAckCnflt	0001	DRS		Data Response in (FEIMS) state, Force Acknowledge NOTE: Set RDS field to specify which state is to be measured. - Intel® Xeon® Processor E7 Family supports getting data in E, F or I state
DataNc	0011	DRS	Uo	Non-Coherent Data
DebugData	1111	NCB		Debug Data
EvctCln	0110	HOMO		Clean cache line eviction notification to home agent.
FERR	0011	NCS		Legacy floating point error indication from CPU to legacy bridge
FrcAckCnflt	1001	NDR		All snoop responses gathered, force an AckCnflt
Gnt_Cmp	0000	NDR		Signal completion and Grant E state ownership without data to an InvtoE or 'null data' to an InvXtol
Gnt_FrcAckCnflt	0001	NDR		Signal FrcAckCnflt and Grant E state ownership without data to an InvtoE or 'null data' to an InvXtol
IntAck	0001	NCS		Interrupt acknowledge to legacy 8259 interrupt controller
IntLogical	1001	NCB	Ui, Uo	Logical mode interrupt to processor
IntPhysical	1010	NCB	Ui, Uo	Physical mode interrupt to processor
IntPrioUpd	1011	NCB	Ui, Uo	Interrupt priority update message to source interrupt agents.
InvtoE	1000	HOMO		Invalidate to E state requests exclusive ownership of a cache line without data.

Name	Opc	MC	Gen By?	Desc
InvXtol	0101	HOMO		Flush a cache line from all caches (that is, downgrade all clean copies to I and cause any dirty copy to be written back to memory).
NcCfgRd	0101	NCS	Ui	Configuration read from configuration space
NcCfgWr	1001	NCS	Ui	Configuration write to configuration space
NcIORd	0111	NCS		Read from legacy I/O space
NcIOWr	1011	NCS		Write to legacy I/O space
NcMsgB	1000	NCB	Ui, Uo	Non-coherent Message (non-coherent bypass channel)
NcMsgS	1100	NCS	Ui, Uo	Non-coherent Message (Non-coherent standard channel)
NcP2PB	1110	NCB		Peer-to-peer transaction between I/O entities (non-coherent bypass channel)
NcP2PS	1101	NCS		Peer-to-peer transaction between I/O entities. (Non-coherent standard channel)
NcRd	0000	NCS	Ui	Read from non-coherent memory mapped I/O space
NcRdPtl	0100	NCS	Ui	Partial read from non-coherent memory mapped I/O space
NcWr	0000	NCB		Write to non-coherent memory mapped I/O space
NcWrPtl	1100	NCB	Ui	Partial write to non-coherent memory mapped I/O space
NonSnpRd	0011	HOMO		Non-Snoop (uncached) read
NonSnpWr	0111	HOMO		Non-Snoop (uncached) write
NonSnpWrData	0111	DRS		Non cache coherent write data
NonSnpWrDataPtl	1011	DRS		Partial (byte-masked) non cache coherent write data
PrefetchHint	1111	SNP		Snoop Prefetch Hint
RdCode	0001	HOMO		Read cache line in F (or S, if the F state not supported)
RdCur	0000	HOMO		Request a cache line in I. Typically issued by I/O proxy entities, RdCur is used to obtain a coherent snapshot of an uncached cache line.
RdData	0010	HOMO		Read cache line in either E or F (or S, if F state not supported). The choice between F (or S) and E is determined by whether or not per caching agent has cache line in S state.
RdInvOwn	0100	HOMO		Read Invalidate Own requests a cache line in M or E state. M or E is determined by whether requester is forwarded an M copy by a peer caching agent or sent an E copy by home agent.
RspCnflt	0100	HOM1		Peer is left with line in I or S state, and the peer has a conflicting outstanding request.
RspCnfltOwn	0110	HOM1		Peer has a buried M copy for this line with an outstanding conflicting request.
RspFwd	1000	HOM1		Peer has sent data to requestor with no change in cache state
RspFwdI	1001	HOM1		Peer has sent data to requestor and is left with line in I state
RspFwdIWb	1011	HOM1		Peer has sent data to requestor and a WbIData to the home, and is left with line in I state
RspFwdS	1010	HOM1		Peer has sent data to requestor and is left with line in S state
RspFwdSWb	1100	HOM1		Peer has sent data to requestor and a WbSData to the home, and is left with line in S state

Name	Opc	MC	Gen By?	Desc
Rspl	0000	HOM1		Peer left with line in I-state
RsplWb	1101	HOM1		Peer has evicted the data with an in-flight WblData[Ptl] message to the home and has not sent any message to the requestor.
RspS	0001	HOM1		Peer left with line in S-state
RspSwb	1110	HOM1		Peer has sent a WbSData message to the home, has not sent any message to the requestor and is left with line in S-state
SnpcCode	0001	SNP		Snoop Code (get data in F or S state) - Intel® Xeon® Processor E7 Family supports getting data in F state
Snpcur	0000	SNP		Snoop to get data in I state
SnpcData	0010	SNP		Snoop Data (get data in E, F or S state) - Intel® Xeon® Processor E7 Family supports getting data in E or F state
SnpcInvltoE	1000	SNP		Snoop Invalidate to E state. To invalidate peer caching agent, flushing any M state data to home
SnpcInvlOwn	0100	SNP		Snoop Invalidate Own (get data in E or M state) - Intel® Xeon® Processor E7 Family supports getting data in E state
SnpcInvlXtol	0101	SNP		Snoop Invalidate Writeback M to I state. To invalidate peer caching agent, flushing any M state data to home.
WbEData	0110	DRS		Writeback data, downgrade to E state
WbEDataPtl	1010	DRS		Partial (byte-masked) writeback data, downgrade to E state
WblData	0100	DRS		Writeback data, downgrade to I state
WblDataPtl	1000	DRS		Partial (byte-masked) writeback data, downgrade to I state
WbMtoI	1100	HOMO		Write a cache line in M state back to memory and transition its state to I.
WbMtoE	1101	HOMO		Write a cache line in M state back to memory and transition its state to E.
WbMtoS	1110	HOMO		Write a cache line in M state back to memory and transition its state to S.
WbSData	0101	DRS		Writeback data, downgrade to S state
WcWr	0001	NCB		Write combinable write to non-coherent memory mapped I/O space
WcWrPtl	1101	NCB		Partial write combinable write to non-coherent memory mapped I/O space