

**Oracle® Database**  
VLDB and Partitioning Guide  
11g Release 2 (11.2)  
**E16541-05**

August 2010

Oracle Database VLDB and Partitioning Guide, 11g Release 2 (11.2)

E16541-05

Copyright © 2008, 2010, Oracle and/or its affiliates. All rights reserved.

Contributors: Hermann Baer, Eric Belden, Jean-Pierre Dijcks, Steve Fogel, Lilian Hobbs, Paul Lane, Sue K. Lee, Diana Lorentz, Valarie Moore, Tony Morales, Mark Van de Wiel

This software and related documentation are provided under a license agreement containing restrictions on use and disclosure and are protected by intellectual property laws. Except as expressly permitted in your license agreement or allowed by law, you may not use, copy, reproduce, translate, broadcast, modify, license, transmit, distribute, exhibit, perform, publish, or display any part, in any form, or by any means. Reverse engineering, disassembly, or decompilation of this software, unless required by law for interoperability, is prohibited.

The information contained herein is subject to change without notice and is not warranted to be error-free. If you find any errors, please report them to us in writing.

If this software or related documentation is delivered to the U.S. Government or anyone licensing it on behalf of the U.S. Government, the following notice is applicable:

U.S. GOVERNMENT RIGHTS Programs, software, databases, and related documentation and technical data delivered to U.S. Government customers are "commercial computer software" or "commercial technical data" pursuant to the applicable Federal Acquisition Regulation and agency-specific supplemental regulations. As such, the use, duplication, disclosure, modification, and adaptation shall be subject to the restrictions and license terms set forth in the applicable Government contract, and, to the extent applicable by the terms of the Government contract, the additional rights set forth in FAR 52.227-19, Commercial Computer Software License (December 2007). Oracle USA, Inc., 500 Oracle Parkway, Redwood City, CA 94065.

This software is developed for general use in a variety of information management applications. It is not developed or intended for use in any inherently dangerous applications, including applications which may create a risk of personal injury. If you use this software in dangerous applications, then you shall be responsible to take all appropriate fail-safe, backup, redundancy, and other measures to ensure the safe use of this software. Oracle Corporation and its affiliates disclaim any liability for any damages caused by use of this software in dangerous applications.

Oracle is a registered trademark of Oracle Corporation and/or its affiliates. Other names may be trademarks of their respective owners.

This software and documentation may provide access to or information on content, products, and services from third parties. Oracle Corporation and its affiliates are not responsible for and expressly disclaim all warranties of any kind with respect to third-party content, products, and services. Oracle Corporation and its affiliates will not be responsible for any loss, costs, or damages incurred due to your access to or use of third-party content, products, or services.

---

---

# Contents

|   |      |
|---|------|
| <b>Preface</b> .....  | xv   |
| Audience .....  | xv   |
| Documentation Accessibility .....   | xv   |
| Related Documents .....   | xvi  |
| Conventions .....   | xvi  |
| <br>  |      |
| <b>What's New in Oracle Database to Support Very Large Databases?</b> .....                 | xvii |
| Oracle Database 11g Release 2 (11.2.0.2) New Features to Support Very Large Databases ..... | xvii |
| <br>  |      |
| <b>1 Introduction to Very Large Databases</b>   |      |
| Introduction to Partitioning .....  | 1-1  |
| VLDB and Partitioning .....   | 1-2  |
| Partitioning As the Foundation for Information Lifecycle Management .....                   | 1-3  |
| Partitioning for Every Database .....   | 1-3  |
| <br>  |      |
| <b>2 Partitioning Concepts</b>  |      |
| <b>Basics of Partitioning</b> .....   | 2-1  |
| Partitioning Key .....  | 2-2  |
| Partitioned Tables .....  | 2-2  |
| When to Partition a Table .....   | 2-3  |
| When to Partition an Index .....  | 2-3  |
| Partitioned Index-Organized Tables .....  | 2-3  |
| System Partitioning .....   | 2-3  |
| Partitioning for Information Lifecycle Management .....                                     | 2-3  |
| Partitioning and LOB Data .....   | 2-4  |
| Collections in XMLType and Object Data .....  | 2-4  |
| <b>Benefits of Partitioning</b> .....   | 2-4  |
| Partitioning for Performance .....  | 2-5  |
| Partition Pruning .....   | 2-5  |
| Partition-Wise Joins .....  | 2-5  |
| Partitioning for Manageability .....  | 2-5  |
| Partitioning for Availability .....   | 2-6  |
| <b>Partitioning Strategies</b> .....  | 2-6  |
| Single-Level Partitioning .....   | 2-6  |
| Range Partitioning .....  | 2-7  |

|  |      |
|--|------|
| Hash Partitioning .....  | 2-7  |
| List Partitioning.....   | 2-7  |
| Composite Partitioning .....   | 2-8  |
| Composite Range-Range Partitioning .....                                     | 2-8  |
| Composite Range-Hash Partitioning .....                                      | 2-8  |
| Composite Range-List Partitioning .....                                      | 2-9  |
| Composite List-Range Partitioning .....                                      | 2-9  |
| Composite List-Hash Partitioning.....  | 2-9  |
| Composite List-List Partitioning.....  | 2-9  |
| <b>Partitioning Extensions</b> .....   | 2-9  |
| Manageability Extensions .....   | 2-9  |
| Interval Partitioning .....  | 2-9  |
| Partition Advisor.....   | 2-10 |
| Partitioning Key Extensions .....  | 2-10 |
| Reference Partitioning.....  | 2-10 |
| Virtual Column-Based Partitioning.....                                       | 2-11 |
| <b>Overview of Partitioned Indexes</b> .....                                 | 2-12 |
| Local Partitioned Indexes.....   | 2-12 |
| Global Partitioned Indexes .....   | 2-13 |
| Global Range Partitioned Indexes .....                                       | 2-13 |
| Global Hash Partitioned Indexes.....   | 2-13 |
| Maintenance of Global Partitioned Indexes.....                               | 2-13 |
| Global Nonpartitioned Indexes.....   | 2-14 |
| Miscellaneous Information about Creating Indexes on Partitioned Tables ..... | 2-14 |
| Partitioned Indexes on Composite Partitions .....                            | 2-15 |

### 3 Partitioning for Availability, Manageability, and Performance

|   |      |
|---|------|
| <b>Partition Pruning</b> .....                                | 3-1  |
| Information That Can Be Used for Partition Pruning.....       | 3-2  |
| How to Identify Whether Partition Pruning has been Used ..... | 3-2  |
| Static Partition Pruning .....                                | 3-3  |
| Dynamic Partition Pruning.....                                | 3-3  |
| Dynamic Pruning with Bind Variables.....                      | 3-4  |
| Dynamic Pruning with Subqueries .....                         | 3-4  |
| Dynamic Pruning with Star Transformation .....                | 3-5  |
| Dynamic Pruning with Nested Loop Joins .....                  | 3-6  |
| Partition Pruning Tips .....                                  | 3-7  |
| Data Type Conversions .....                                   | 3-7  |
| Function Calls .....  | 3-9  |
| Collection Tables .....                                       | 3-10 |
| <b>Partition-Wise Joins</b> .....                             | 3-11 |
| Full Partition-Wise Joins .....                               | 3-11 |
| Full Partition-Wise Joins: Single-Level - Single-Level .....  | 3-12 |
| Full Partition-Wise Joins: Composite - Single-Level.....      | 3-13 |
| Full Partition-Wise Joins: Composite - Composite .....        | 3-15 |
| Partial Partition-Wise Joins.....                             | 3-16 |
| Partial Partition-Wise Joins: Single-Level Partitioning.....  | 3-16 |

|   |      |
|---|------|
| Partial Partition-Wise Joins: Composite .....                     | 3-18 |
| <b>Index Partitioning</b> .....                                   | 3-19 |
| Local Partitioned Indexes.....                                    | 3-20 |
| Local Prefixed Indexes .....                                      | 3-21 |
| Local Nonprefixed Indexes.....                                    | 3-21 |
| Global Partitioned Indexes .....                                  | 3-22 |
| Prefixed and Nonprefixed Global Partitioned Indexes.....          | 3-22 |
| Management of Global Partitioned Indexes .....                    | 3-22 |
| Summary of Partitioned Index Types .....                          | 3-23 |
| The Importance of Nonprefixed Indexes.....                        | 3-24 |
| Performance Implications of Prefixed and Nonprefixed Indexes..... | 3-24 |
| Guidelines for Partitioning Indexes .....                         | 3-25 |
| Physical Attributes of Index Partitions .....                     | 3-25 |
| <b>Partitioning and Table Compression</b> .....                   | 3-26 |
| Table Compression and Bitmap Indexes .....                        | 3-27 |
| Example of Table Compression and Partitioning .....               | 3-27 |
| <b>Recommendations for Choosing a Partitioning Strategy</b> ..... | 3-28 |
| When to Use Range or Interval Partitioning.....                   | 3-28 |
| When to Use Hash Partitioning .....                               | 3-30 |
| When to Use List Partitioning .....                               | 3-31 |
| When to Use Composite Partitioning.....                           | 3-31 |
| When to Use Composite Range-Hash Partitioning .....               | 3-32 |
| When to Use Composite Range-List Partitioning .....               | 3-33 |
| When to Use Composite Range-Range Partitioning.....               | 3-33 |
| When to Use Composite List-Hash Partitioning .....                | 3-34 |
| When to Use Composite List-List Partitioning.....                 | 3-35 |
| When to Use Composite List-Range Partitioning .....               | 3-35 |
| When to Use Interval Partitioning.....                            | 3-36 |
| When to Use Reference Partitioning .....                          | 3-37 |
| When to Partition on Virtual Columns .....                        | 3-38 |
| Considerations When Using Read-Only Tablespaces .....             | 3-38 |

## 4 Partition Administration

|  |      |
|--|------|
| <b>Creating Partitions</b> .....                           | 4-1  |
| Creating Range-Partitioned Tables and Global Indexes ..... | 4-2  |
| Creating a Range-Partitioned Table .....                   | 4-2  |
| Creating a Range-Partitioned Global Index.....             | 4-3  |
| Creating Interval-Partitioned Tables.....                  | 4-4  |
| Creating Hash-Partitioned Tables and Global Indexes .....  | 4-5  |
| Creating a Hash Partitioned Table .....                    | 4-5  |
| Creating a Hash-Partitioned Global Index.....              | 4-6  |
| Creating List-Partitioned Tables .....                     | 4-6  |
| Creating Reference-Partitioned Tables .....                | 4-7  |
| Creating Composite Partitioned Tables.....                 | 4-9  |
| Creating Composite Range-Hash Partitioned Tables.....      | 4-9  |
| Creating Composite Range-List Partitioned Tables.....      | 4-10 |
| Creating Composite Range-Range Partitioned Tables .....    | 4-12 |

|   |      |
|---|------|
| Creating Composite List-* Partitioned Tables .....                          | 4-14 |
| Creating Composite Interval-* Partitioned Tables .....                      | 4-16 |
| Using Subpartition Templates to Describe Composite Partitioned Tables ..... | 4-19 |
| Specifying a Subpartition Template for a *-Hash Partitioned Table .....     | 4-19 |
| Specifying a Subpartition Template for a *-List Partitioned Table .....     | 4-20 |
| Using Multicolumn Partitioning Keys .....                                   | 4-21 |
| Using Virtual Column-Based Partitioning .....                               | 4-23 |
| Using Table Compression with Partitioned Tables .....                       | 4-24 |
| Using Key Compression with Partitioned Indexes .....                        | 4-25 |
| Using Partitioning with Segments .....                                      | 4-25 |
| Deferred Segment Creation for Partitioning .....                            | 4-25 |
| Truncating Segments That Are Empty .....                                    | 4-26 |
| Maintenance Procedures for Segment Creation on Demand .....                 | 4-26 |
| Creating Partitioned Index-Organized Tables .....                           | 4-26 |
| Creating Range-Partitioned Index-Organized Tables .....                     | 4-27 |
| Creating Hash-Partitioned Index-Organized Tables .....                      | 4-28 |
| Creating List-Partitioned Index-Organized Tables .....                      | 4-28 |
| Partitioning Restrictions for Multiple Block Sizes .....                    | 4-29 |
| Partitioning of Collections in XMLType and Objects .....                    | 4-29 |
| Performing PMOs on Partitions that Contain Collection Tables .....          | 4-30 |
| <b>Maintaining Partitions</b> .....   | 4-31 |
| Updating Indexes Automatically .....  | 4-34 |
| Adding Partitions .....   | 4-35 |
| Adding a Partition to a Range-Partitioned Table .....                       | 4-35 |
| Adding a Partition to a Hash-Partitioned Table .....                        | 4-36 |
| Adding a Partition to a List-Partitioned Table .....                        | 4-36 |
| Adding a Partition to an Interval-Partitioned Table .....                   | 4-36 |
| Adding Partitions to a Composite *-Hash Partitioned Table .....             | 4-37 |
| Adding Partitions to a Composite *-List Partitioned Table .....             | 4-38 |
| Adding Partitions to a Composite *-Range Partitioned Table .....            | 4-39 |
| Adding a Partition or Subpartition to a Reference-Partitioned Table .....   | 4-39 |
| Adding Index Partitions .....   | 4-39 |
| Coalescing Partitions .....   | 4-40 |
| Coalescing a Partition in a Hash-Partitioned Table .....                    | 4-41 |
| Coalescing a Subpartition in a *-Hash Partitioned Table .....               | 4-41 |
| Coalescing Hash-partitioned Global Indexes .....                            | 4-41 |
| Dropping Partitions .....   | 4-41 |
| Dropping Table Partitions .....   | 4-41 |
| Dropping Interval Partitions .....  | 4-43 |
| Dropping Index Partitions .....   | 4-44 |
| Exchanging Partitions .....   | 4-44 |
| Exchanging a Range, Hash, or List Partition .....                           | 4-45 |
| Exchanging a Partition of an Interval Partitioned Table .....               | 4-45 |
| Exchanging a Partition of a Reference Partitioned Table .....               | 4-46 |
| Exchanging a Partition of a Table with Virtual Columns .....                | 4-46 |
| Exchanging a Hash-Partitioned Table with a *-Hash Partition .....           | 4-46 |
| Exchanging a Subpartition of a *-Hash Partitioned Table .....               | 4-47 |

|   |      |
|---|------|
| Exchanging a List-Partitioned Table with a *-List Partition .....   | 4-47 |
| Exchanging a Subpartition of a *-List Partitioned Table .....       | 4-48 |
| Exchanging a Range-Partitioned Table with a *-Range Partition ..... | 4-48 |
| Exchanging a Subpartition of a *-Range Partitioned Table .....      | 4-49 |
| Merging Partitions .....  | 4-49 |
| Merging Range Partitions .....                                      | 4-50 |
| Merging Interval Partitions .....                                   | 4-51 |
| Merging List Partitions .....                                       | 4-52 |
| Merging *-Hash Partitions .....                                     | 4-52 |
| Merging *-List Partitions .....                                     | 4-52 |
| Merging *-Range Partitions .....                                    | 4-54 |
| Modifying Default Attributes .....                                  | 4-54 |
| Modifying Default Attributes of a Table .....                       | 4-54 |
| Modifying Default Attributes of a Partition .....                   | 4-55 |
| Modifying Default Attributes of Index Partitions .....              | 4-55 |
| Modifying Real Attributes of Partitions .....                       | 4-55 |
| Modifying Real Attributes for a Range or List Partition .....       | 4-55 |
| Modifying Real Attributes for a Hash Partition .....                | 4-56 |
| Modifying Real Attributes of a Subpartition .....                   | 4-56 |
| Modifying Real Attributes of Index Partitions .....                 | 4-56 |
| Modifying List Partitions: Adding Values .....                      | 4-56 |
| Adding Values for a List Partition .....                            | 4-56 |
| Adding Values for a List Subpartition .....                         | 4-57 |
| Modifying List Partitions: Dropping Values .....                    | 4-57 |
| Dropping Values from a List Partition .....                         | 4-57 |
| Dropping Values from a List Subpartition .....                      | 4-58 |
| Modifying a Subpartition Template .....                             | 4-58 |
| Moving Partitions .....   | 4-59 |
| Moving Table Partitions .....                                       | 4-59 |
| Moving Subpartitions .....  | 4-60 |
| Moving Index Partitions .....                                       | 4-60 |
| Redefining Partitions Online .....                                  | 4-60 |
| Redefining Partitions with Collection Tables .....                  | 4-60 |
| Rebuilding Index Partitions .....                                   | 4-62 |
| Rebuilding Global Index Partitions .....                            | 4-62 |
| Rebuilding Local Index Partitions .....                             | 4-63 |
| Renaming Partitions .....   | 4-63 |
| Renaming a Table Partition .....                                    | 4-63 |
| Renaming a Table Subpartition .....                                 | 4-64 |
| Renaming Index Partitions .....                                     | 4-64 |
| Splitting Partitions .....  | 4-64 |
| Splitting a Partition of a Range-Partitioned Table .....            | 4-65 |
| Splitting a Partition of a List-Partitioned Table .....             | 4-65 |
| Splitting a Partition of an Interval-Partitioned Table .....        | 4-66 |
| Splitting a *-Hash Partition .....                                  | 4-66 |
| Splitting Partitions in a *-List Partitioned Table .....            | 4-67 |
| Splitting a *-Range Partition .....                                 | 4-69 |

|   |             |
|---|-------------|
| Splitting Index Partitions .....                                      | 4-70        |
| Optimizing SPLIT PARTITION and SPLIT SUBPARTITION Operations .....    | 4-70        |
| Truncating Partitions .....   | 4-71        |
| Truncating a Table Partition .....                                    | 4-71        |
| Truncating a Subpartition .....                                       | 4-73        |
| <b>Dropping Partitioned Tables .....</b>                              | <b>4-73</b> |
| <b>Partitioned Tables and Indexes Example .....</b>                   | <b>4-74</b> |
| <b>Viewing Information About Partitioned Tables and Indexes .....</b> | <b>4-75</b> |

## 5 Using Partitioning for Information Lifecycle Management

|   |             |
|---|-------------|
| <b>What Is ILM? .....</b>                               | <b>5-1</b>  |
| Oracle Database for ILM .....                           | 5-2         |
| Oracle Database Manages All Types of Data .....         | 5-2         |
| Regulatory Requirements .....                           | 5-2         |
| <b>Implementing ILM Using Oracle Database .....</b>     | <b>5-3</b>  |
| Step 1: Define the Data Classes .....                   | 5-3         |
| Partitioning .....                                      | 5-4         |
| The Lifecycle of Data .....                             | 5-5         |
| Step 2: Create Storage Tiers for the Data Classes ..... | 5-5         |
| Assigning Classes to Storage Tiers .....                | 5-6         |
| The Costs Savings of using Tiered Storage .....         | 5-7         |
| Step 3: Create Data Access and Migration Policies ..... | 5-7         |
| Controlling Access to Data .....                        | 5-7         |
| Moving Data using Partitioning .....                    | 5-8         |
| Step 4: Define and Enforce Compliance Policies .....    | 5-8         |
| Data Retention .....                                    | 5-9         |
| Immutability .....                                      | 5-9         |
| Privacy .....   | 5-9         |
| Auditing .....  | 5-9         |
| Expiration .....  | 5-9         |
| <b>The Benefits of an Online Archive .....</b>          | <b>5-9</b>  |
| <b>Oracle ILM Assistant .....</b>                       | <b>5-10</b> |
| Lifecycle Setup .....                                   | 5-11        |
| Logical Storage Tiers .....                             | 5-12        |
| Lifecycle Definitions .....                             | 5-13        |
| Lifecycle Tables .....                                  | 5-14        |
| Preferences .....                                       | 5-20        |
| Lifecycle Management .....                              | 5-21        |
| Lifecycle Events Calendar .....                         | 5-21        |
| Lifecycle Events .....                                  | 5-21        |
| Event Scan History .....                                | 5-22        |
| Compliance & Security .....                             | 5-23        |
| Current Status .....                                    | 5-23        |
| Digital Signatures and Immutability .....               | 5-23        |
| Privacy & Security .....                                | 5-23        |
| Auditing .....  | 5-24        |
| Reports .....   | 5-25        |



|   |      |
|---|------|
| Implementing an ILM System Manually ..... | 5-25 |
|---|------|

## 6 Using Partitioning in a Data Warehouse Environment

|  |      |
|--|------|
| <b>What Is a Data Warehouse?</b> .....                             | 6-1  |
| <b>Scalability</b> .....   | 6-1  |
| Bigger Databases .....   | 6-2  |
| Bigger Individual tables: More Rows in Tables .....                | 6-2  |
| More Users Querying the System .....                               | 6-2  |
| More Complex Queries .....   | 6-2  |
| <b>Performance</b> .....   | 6-2  |
| Partition Pruning .....  | 6-3  |
| Basic Partition Pruning Techniques .....                           | 6-3  |
| Advanced Partition Pruning Techniques .....                        | 6-3  |
| Partition-Wise Joins .....   | 6-5  |
| Full Partition-Wise Joins .....                                    | 6-5  |
| Partial Partition-Wise Joins .....                                 | 6-7  |
| Benefits of Partition-Wise Joins .....                             | 6-8  |
| Performance Considerations for Parallel Partition-Wise Joins ..... | 6-9  |
| Indexes and Partitioned Indexes .....                              | 6-9  |
| Local Partitioned Indexes .....                                    | 6-10 |
| Nonpartitioned Indexes .....                                       | 6-10 |
| Global Partitioned Indexes .....                                   | 6-11 |
| Partitioning and Data Compression .....                            | 6-12 |
| Materialized Views and Partitioning .....                          | 6-12 |
| <b>Manageability</b> .....   | 6-13 |
| Partition Exchange Load .....                                      | 6-13 |
| Partitioning and Indexes .....                                     | 6-14 |
| Partitioning and Materialized View Refresh Strategies .....        | 6-15 |
| Removing Data from Tables .....                                    | 6-15 |
| Partitioning and Data Compression .....                            | 6-16 |
| Gathering Statistics on Large Partitioned Tables .....             | 6-16 |

## 7 Using Partitioning in an Online Transaction Processing Environment

|   |     |
|---|-----|
| <b>What is an OLTP System?</b> .....  | 7-1 |
| <b>Performance</b> .....  | 7-3 |
| Deciding Whether to Partition Indexes .....   | 7-3 |
| Using Index-Organized Tables .....  | 7-4 |
| <b>Manageability</b> .....  | 7-5 |
| Impact of a Partition Maintenance Operation on a Partitioned Table with Local Indexes ..... | 7-5 |
| Impact of a Partition Maintenance Operation on Global Indexes .....                         | 7-6 |
| Common Partition Maintenance Operations in OLTP Environments .....                          | 7-6 |
| Removing (Purging) Old Data .....   | 7-6 |
| Moving and/or Merging Older Partitions to a Low Cost Storage Tier Device .....              | 7-6 |

## 8 Using Parallel Execution

|   |     |
|---|-----|
| <b>Introduction to Parallel Execution</b> ..... | 8-1 |
|---|-----|

|  |             |
|--|-------------|
| When to Implement Parallel Execution .....   | 8-2         |
| When Not to Implement Parallel Execution .....   | 8-2         |
| Fundamental Hardware Requirements .....  | 8-2         |
| Operations That Can Be Parallelized .....  | 8-3         |
| <b>How Parallel Execution Works .....</b>  | <b>8-4</b>  |
| Parallelizing SQL Statements .....   | 8-4         |
| Dividing Work Among Parallel Execution Servers .....   | 8-5         |
| Parallelism Between Operations.....  | 8-6         |
| Producer/Consumer Operations.....  | 8-7         |
| How Parallel Execution Servers Communicate .....   | 8-8         |
| Degree of Parallelism.....   | 8-9         |
| Manually Specifying the Degree of Parallelism .....  | 8-9         |
| Automatic Parallel Degree Policy.....  | 8-10        |
| Controlling Automatic Degree of Parallelism .....  | 8-11        |
| In-Memory Parallel Execution .....   | 8-11        |
| Adaptive Parallelism .....   | 8-12        |
| Controlling Automatic DOP, Parallel Statement Queuing, and In-Memory Parallel Execution 8-12 |             |
| Parallel Statement Queuing.....  | 8-13        |
| Managing Parallel Statement Queuing with Resource Manager.....                               | 8-14        |
| Grouping Parallel Statements with a BEGIN_SQL_BLOCK .. END_SQL_BLOCK Block .....             | 8-18        |
| Managing Parallel Statement Queuing with Hints.....  | 8-19        |
| The Parallel Execution Server Pool.....  | 8-20        |
| Processing without Enough Parallel Execution Servers .....                                   | 8-20        |
| Granules of Parallelism .....  | 8-20        |
| Block Range Granules .....   | 8-20        |
| Partition Granules.....  | 8-21        |
| Balancing the Workload.....  | 8-22        |
| Parallel Execution Using Oracle RAC.....   | 8-23        |
| Limiting the Number of Available Instances.....  | 8-23        |
| <b>Types of Parallelism.....</b>   | <b>8-23</b> |
| About Parallel Queries .....   | 8-23        |
| Parallel Queries on Index-Organized Tables .....   | 8-24        |
| Nonpartitioned Index-Organized Tables .....  | 8-24        |
| Partitioned Index-Organized Tables.....  | 8-24        |
| Parallel Queries on Object Types.....  | 8-24        |
| Rules for Parallelizing Queries .....  | 8-25        |
| About Parallel DDL Statements .....  | 8-25        |
| DDL Statements That Can Be Parallelized .....  | 8-25        |
| CREATE TABLE ... AS SELECT in Parallel.....  | 8-26        |
| Recoverability and Parallel DDL .....  | 8-27        |
| Space Management for Parallel DDL.....   | 8-27        |
| Storage Space When Using Dictionary-Managed Tablespaces.....                                 | 8-27        |
| Free Space and Parallel DDL.....   | 8-28        |
| Rules for DDL Statements .....   | 8-29        |
| Rules for [CREATE   REBUILD] INDEX or [MOVE   SPLIT] PARTITION.....                          | 8-29        |
| Rules for CREATE TABLE AS SELECT.....  | 8-30        |

|   |      |
|---|------|
| About Parallel DML Operations .....   | 8-31 |
| When to Use Parallel DML .....  | 8-31 |
| Enabling Parallel DML .....   | 8-32 |
| Rules for UPDATE, MERGE, and DELETE .....   | 8-33 |
| Rules for INSERT ... SELECT .....   | 8-34 |
| Transaction Restrictions for Parallel DML .....                                   | 8-35 |
| Rollback Segments .....   | 8-35 |
| Recovery for Parallel DML .....   | 8-35 |
| Space Considerations for Parallel DML .....                                       | 8-36 |
| Restrictions on Parallel DML .....  | 8-36 |
| Data Integrity Restrictions .....   | 8-37 |
| Trigger Restrictions .....  | 8-38 |
| Distributed Transaction Restrictions .....  | 8-38 |
| Examples of Distributed Transaction Parallelization .....                         | 8-38 |
| About Parallel Execution of Functions .....                                       | 8-38 |
| Functions in Parallel Queries .....   | 8-39 |
| Functions in Parallel DML and DDL Statements .....                                | 8-39 |
| About Other Types of Parallelism .....  | 8-39 |
| Summary of Parallelization Rules .....  | 8-40 |
| <b>Initializing and Tuning Parameters for Parallel Execution</b> .....            | 8-41 |
| Using Default Parameter Settings .....  | 8-41 |
| Forcing Parallel Execution for a Session .....                                    | 8-42 |
| <b>Tuning General Parameters for Parallel Execution</b> .....                     | 8-42 |
| Parameters Establishing Resource Limits for Parallel Operations .....             | 8-43 |
| PARALLEL_FORCE_LOCAL .....  | 8-43 |
| PARALLEL_MAX_SERVERS .....  | 8-43 |
| PARALLEL_MIN_PERCENT .....  | 8-44 |
| PARALLEL_MIN_SERVERS .....  | 8-44 |
| PARALLEL_MIN_TIME_THRESHOLD .....   | 8-44 |
| PARALLEL_SERVERS_TARGET .....   | 8-45 |
| SHARED_POOL_SIZE .....  | 8-45 |
| Computing Additional Memory Requirements for Message Buffers .....                | 8-46 |
| Adjusting Memory After Processing Begins .....                                    | 8-47 |
| Parameters Affecting Resource Consumption .....                                   | 8-48 |
| PGA_AGGREGATE_TARGET .....  | 8-49 |
| PARALLEL_EXECUTION_MESSAGE_SIZE .....   | 8-49 |
| Parameters Affecting Resource Consumption for Parallel DML and Parallel DDL ..... | 8-49 |
| Parameters Related to I/O .....   | 8-51 |
| DB_CACHE_SIZE .....   | 8-52 |
| DB_BLOCK_SIZE .....   | 8-52 |
| DB_FILE_MULTIBLOCK_READ_COUNT .....   | 8-52 |
| DISK_ASYNC_IO and TAPE_ASYNC_IO .....   | 8-52 |
| <b>Monitoring Parallel Execution Performance</b> .....                            | 8-53 |
| Monitoring Parallel Execution Performance with Dynamic Performance Views .....    | 8-53 |
| V\$PX_BUFFER_ADVICE .....   | 8-53 |
| V\$PX_SESSION .....   | 8-53 |
| V\$PX_SESSTAT .....   | 8-53 |

|  |             |
|--|-------------|
| V\$PX_PROCESS.....   | 8-53        |
| V\$PX_PROCESS_SYSSTAT.....   | 8-53        |
| V\$PQ_SESSTAT.....   | 8-54        |
| V\$PQ_TQSTAT.....  | 8-54        |
| V\$RSRC_CONS_GROUP_HISTORY.....  | 8-55        |
| V\$RSRC_CONSUMER_GROUP.....  | 8-55        |
| V\$RSRC_PLAN.....  | 8-55        |
| V\$RSRC_PLAN_HISTORY.....  | 8-55        |
| V\$RSRC_SESSION_INFO.....  | 8-55        |
| Monitoring Session Statistics.....   | 8-55        |
| Monitoring System Statistics.....  | 8-56        |
| Monitoring Operating System Statistics.....                                | 8-57        |
| <b>Miscellaneous Parallel Execution Tuning Tips.....</b>                   | <b>8-57</b> |
| Creating and Populating Tables in Parallel.....                            | 8-58        |
| Using EXPLAIN PLAN to Show Parallel Operations Plans.....                  | 8-59        |
| Example: Using EXPLAIN PLAN to Show Parallel Operations.....               | 8-59        |
| Additional Considerations for Parallel DML.....                            | 8-60        |
| Parallel DML and Direct-Path Restrictions.....                             | 8-60        |
| Limitation on the Degree of Parallelism.....                               | 8-60        |
| Increasing INITRANS.....   | 8-60        |
| Limitation on Available Number of Transaction Free Lists for Segments..... | 8-60        |
| Using Multiple Archivers.....  | 8-61        |
| Database Writer Process (DBWn) Workload.....                               | 8-61        |
| [NO]LOGGING Clause.....  | 8-61        |
| Creating Indexes in Parallel.....  | 8-62        |
| Parallel DML Tips.....   | 8-63        |
| Parallel DML Tip 1: INSERT.....  | 8-63        |
| Parallel DML Tip 2: Direct-Path INSERT.....                                | 8-63        |
| Parallel DML Tip 3: Parallelizing INSERT, MERGE, UPDATE, and DELETE.....   | 8-64        |
| Incremental Data Loading in Parallel.....                                  | 8-65        |
| Updating the Table in Parallel.....  | 8-65        |
| Inserting the New Rows into the Table in Parallel.....                     | 8-66        |
| Merging in Parallel.....   | 8-66        |

## 9 Backing Up and Recovering VLDBs

|   |            |
|---|------------|
| <b>Data Warehousing.....</b>                              | <b>9-1</b> |
| Data Warehouse Characteristics.....                       | 9-2        |
| <b>Oracle Backup and Recovery.....</b>                    | <b>9-2</b> |
| Physical Database Structures Used in Recovering Data..... | 9-3        |
| Datafiles.....  | 9-3        |
| Redo Logs.....  | 9-3        |
| Control Files.....  | 9-3        |
| Backup Type.....  | 9-4        |
| Backup Tools.....   | 9-4        |
| Recovery Manager (RMAN).....                              | 9-5        |
| Oracle Enterprise Manager.....                            | 9-5        |
| Oracle Data Pump.....                                     | 9-5        |

|  |      |
|--|------|
| User-Managed Backups .....   | 9-6  |
| <b>Data Warehouse Backup and Recovery</b> .....  | 9-6  |
| Recovery Time Objective (RTO).....   | 9-6  |
| Recovery Point Objective (RPO) .....   | 9-7  |
| More Data Means a Longer Backup Window .....   | 9-7  |
| Divide and Conquer .....   | 9-7  |
| <b>The Data Warehouse Recovery Methodology</b> .....   | 9-8  |
| <b>Best Practice 1: Use ARCHIVELOG Mode</b> .....  | 9-8  |
| Is Downtime Acceptable? .....  | 9-8  |
| <b>Best Practice 2: Use RMAN</b> .....   | 9-9  |
| <b>Best Practice 3: Use Block Change Tracking</b> .....                                      | 9-9  |
| <b>Best Practice 4: Use RMAN Multi-Section Backups</b> .....                                 | 9-9  |
| <b>Best Practice 5: Leverage Read-Only Tablespaces</b> .....                                 | 9-9  |
| <b>Best Practice 6: Plan for NOLOGGING Operations in Your Backup/Recovery Strategy</b> ..... | 9-10 |
| Extract, Transform, and Load.....  | 9-11 |
| The Extract, Transform, and Load Strategy .....  | 9-11 |
| Incremental Backup .....   | 9-12 |
| The Incremental Approach.....  | 9-12 |
| Flashback Database and Guaranteed Restore Points.....  | 9-13 |
| <b>Best Practice 7: Not All Tablespaces Are Created Equal</b> .....                          | 9-13 |

## 10 Storage Management for VLDBs

|   |      |
|---|------|
| <b>High Availability</b> .....                                  | 10-1 |
| Hardware-Based Mirroring .....                                  | 10-2 |
| RAID 1 Mirroring.....   | 10-2 |
| RAID 5 Mirroring.....   | 10-2 |
| Mirroring using Oracle ASM.....                                 | 10-2 |
| <b>Performance</b> .....  | 10-3 |
| Hardware-Based Striping .....                                   | 10-3 |
| RAID 0 Striping .....   | 10-4 |
| RAID 5 Striping .....   | 10-4 |
| Striping Using Oracle ASM .....                                 | 10-4 |
| Information Lifecycle Management .....                          | 10-4 |
| Partition Placement.....  | 10-5 |
| Bigfile Tablespaces .....                                       | 10-5 |
| Oracle Database File System (DBFS).....                         | 10-5 |
| <b>Scalability and Manageability</b> .....                      | 10-6 |
| Stripe and Mirror Everything (SAME).....                        | 10-6 |
| SAME and Manageability .....                                    | 10-6 |
| <b>Oracle ASM Settings Specific to VLDBs</b> .....              | 10-6 |
| <b>Monitoring Database Storage Using Database Control</b> ..... | 10-7 |

## Index



---

---

# Preface

This book contains an overview of very large database (VLDB) topics, with emphasis on partitioning as a key component of the VLDB strategy. Partitioning enhances the performance, manageability, and availability of a wide variety of applications and helps reduce the total cost of ownership for storing large amounts of data.

## Audience

This document is intended for database administrators (DBAs) and developers who create, manage, and write applications for very large databases (VLDB).

## Documentation Accessibility

Our goal is to make Oracle products, services, and supporting documentation accessible to all users, including users that are disabled. To that end, our documentation includes features that make information available to users of assistive technology. This documentation is available in HTML format, and contains markup to facilitate access by the disabled community. Accessibility standards will continue to evolve over time, and Oracle is actively engaged with other market-leading technology vendors to address technical obstacles so that our documentation can be accessible to all of our customers. For more information, visit the Oracle Accessibility Program Web site at <http://www.oracle.com/accessibility/>.

### Accessibility of Code Examples in Documentation

Screen readers may not always correctly read the code examples in this document. The conventions for writing code require that closing braces should appear on an otherwise empty line; however, some screen readers may not always read a line of text that consists solely of a bracket or brace.

### Accessibility of Links to External Web Sites in Documentation

This documentation may contain links to Web sites of other companies or organizations that Oracle does not own or control. Oracle neither evaluates nor makes any representations regarding the accessibility of these Web sites.

### Access to Oracle Support

Oracle customers have access to electronic support through My Oracle Support. For information, visit <http://www.oracle.com/support/contact.html> or visit <http://www.oracle.com/accessibility/support.html> if you are hearing impaired.

## Related Documents

For more information, see the following documents in the Oracle Database documentation set:

- *Oracle Database Concepts*
- *Oracle Database Administrator's Guide*
- *Oracle Database SQL Language Reference*
- *Oracle Database Data Warehousing Guide*
- *Oracle Database Performance Tuning Guide*

## Conventions

The following text conventions are used in this document:

| <b>Convention</b> | <b>Meaning</b>   |
|-------------------|--|
| <b>boldface</b>   | Boldface type indicates graphical user interface elements associated with an action, or terms defined in text or the glossary.         |
| <i>italic</i>     | Italic type indicates book titles, emphasis, or placeholder variables for which you supply particular values.                          |
| monospace         | Monospace type indicates commands within a paragraph, URLs, code in examples, text that appears on the screen, or text that you enter. |



---

---

# What's New in Oracle Database to Support Very Large Databases?

This chapter describes new features in Oracle Database to support very large databases (VLDB).

## Oracle Database 11g Release 2 (11.2.0.2) New Features to Support Very Large Databases

---

---

**Note:** This functionality is available starting with Oracle Database 11g Release 2 (11.2.0.2).

---

---

These are the new features in Oracle Database 11g Release 2 (11.2.0.2) to support very large databases:

- Enhancements for managing segments
  - Segment creation on demand for partitioned tables

This feature enables the creation of partitioned tables with deferred segment creation. With this feature, on-disk segments are not created for a subpartition and its dependent objects until the first row is inserted.

For information about partitioning, refer to ["Using Partitioning with Segments"](#) on page 4-25.
  - Enhanced TRUNCATE functionality

If a partition or subpartition has a segment, the truncate feature drops the segment if the `DROP ALL STORAGE` clause is specified.

For information about partitioning, refer to ["Using Partitioning with Segments"](#) on page 4-25.
  - Maintenance package for segment creation on demand

New procedures are added to the PL/SQL `DBMS_SPACE_ADMIN` package to enable you to maintain segment creation on demand.

For information about partitioning, refer to ["Using Partitioning with Segments"](#) on page 4-25.
- Managing Parallel Statement Queuing

By default, parallel statements are dequeued from the parallel statement queue in a simple first in, first out (FIFO) order. This feature enables you to use resource

manager to manage the parallel statement queue by configuring a resource plan that controls the order in which parallel statements are dequeued. For example, you can ensure that parallel statements associated with a high-priority workload or consumer group are dequeued ahead of parallel statements from low-priority consumer groups. Alternatively, you could implement a fair-share policy that dequeues parallel statements based on the resource allocations configured for each consumer group.

For information about parallel statement queuing, refer to "[Parallel Statement Queuing](#)" on page 8-13. For information about managing parallel statement queuing, refer to "[Managing Parallel Statement Queuing with Resource Manager](#)" on page 8-14.

**See Also:**

- *Oracle Database Concepts* for information about parallel query processing
- *Oracle Database SQL Language Reference* for information about the PARALLEL hint
- *Oracle Database PL/SQL Packages and Types Reference* for information about the DBMS\_RESOURCE\_MANAGER package

---

---

# Introduction to Very Large Databases

Modern enterprises frequently run mission-critical databases containing upwards of several hundred gigabytes, and often several terabytes of data. These enterprises are challenged by the support and maintenance requirements of very large databases (VLDB), and must devise methods to meet those challenges.

This chapter contains an overview of VLDB topics, with emphasis on partitioning as a key component of the VLDB strategy.

- [Introduction to Partitioning](#)
- [VLDB and Partitioning](#)
- [Partitioning As the Foundation for Information Lifecycle Management](#)
- [Partitioning for Every Database](#)

---

---

**Note:** Partitioning functionality is available only if you purchase the Partitioning option.

---

---

## Introduction to Partitioning

**Partitioning** addresses key issues in supporting very large tables and indexes by decomposing them into smaller and more manageable pieces called **partitions**, which are entirely transparent to an application. SQL queries and DML statements do not need to be modified to access partitioned tables. However, after partitions are defined, DDL statements can access and manipulate individual partitions rather than entire tables or indexes. This is how partitioning can simplify the manageability of large database objects.

Each partition of a table or index must have the same logical attributes, such as column names, data types, and constraints, but each partition can have separate physical attributes such as compression enabled or disabled, physical storage settings, and tablespaces.

Partitioning is useful for many different types of applications, particularly applications that manage large volumes of data. OLTP systems often benefit from improvements in manageability and availability, while data warehousing systems benefit from performance and manageability.

Partitioning offers these advantages:

- It enables data management operations such as data loads, index creation and rebuilding, and backup/recovery at the partition level, rather than on the entire table. This results in significantly reduced times for these operations.

- It improves query performance. Often the results of a query can be achieved by accessing a subset of partitions, rather than the entire table. For some queries, this technique (called **partition pruning**) can provide order-of-magnitude gains in performance.
- It significantly reduces the impact of scheduled downtime for maintenance operations.

Partition independence for partition maintenance operations lets you perform concurrent maintenance operations on different partitions of the same table or index. You can also run concurrent `SELECT` and DML operations against partitions that are unaffected by maintenance operations.

- It increases the availability of mission-critical databases if critical tables and indexes are divided into partitions to reduce the maintenance windows, recovery times, and impact of failures.
- Parallel execution provides specific advantages to optimize resource utilization, and minimize execution time. Parallel execution against partitioned objects is key for scalability in a clustered environment. Parallel execution is supported for queries and for DML and DDL.

Partitioning enables faster data access within an Oracle database. Whether a database has 10 GB or 10 TB of data, partitioning can improve data access by orders of magnitude. Partitioning can be implemented without requiring any modifications to your applications. For example, you could convert a nonpartitioned table to a partitioned table without needing to modify any of the `SELECT` statements or DML statements which access that table. You do not need to rewrite your application code to take advantage of partitioning.

## VLDB and Partitioning

A very large database has no minimum absolute size. Although a VLDB is a database like smaller databases, there are specific challenges in managing a VLDB. These challenges are related to the sheer size, and the cost-effectiveness of performing operations against a system that size, taken for granted on smaller databases.

Several trends have been responsible for the steady growth in database size:

- For a long time, systems have been developed in isolation. Companies have started to see the benefits of combining these systems to enable cross-departmental analysis while reducing system maintenance costs. Consolidation of databases and applications is a key factor in the ongoing growth of database size.
- Many companies face regulations that set specific requirements for storing data for a minimum amount of time. The regulations generally result in more data being stored for longer periods of time.
- Companies grow by expanding sales and operations or through mergers and acquisitions, causing the amount of generated and processed data to increase. At the same time, the user population that relies on the database for daily activities increases.

Partitioning is a critical feature for managing very large databases. Growth is the basic challenge that partitioning addresses for very large databases, and partitioning enables a *divide and conquer* technique for managing the tables and indexes in the database, especially as those tables and indexes grow. Partitioning is the feature that allows a database to scale for very large data sets while maintaining consistent performance, without unduly increasing administrative or hardware resources. [Chapter 3](#),

["Partitioning for Availability, Manageability, and Performance"](#) provides availability, manageability, and performance considerations for partitioning implementations.

[Chapter 9, "Backing Up and Recovering VLDBs"](#) addresses the challenges surrounding backup and recovery for a VLDB.

Storage is a key component of a very large database. [Chapter 10, "Storage Management for VLDBs"](#) focuses on best practices for storage in a VLDB.

## Partitioning As the Foundation for Information Lifecycle Management

Information Lifecycle Management (ILM) is a set of processes and policies for managing data throughout its useful life. One important component of an ILM strategy is determining the most appropriate and cost-effective medium for storing data at any point during its life time: newer data used in day-to-day operations is stored on the fastest, most highly-available storage tier, while older data which is accessed infrequently may be stored on a less expensive and less performant storage tier. Older data may also be updated less frequently in which case it makes sense to compress and store the data as read-only.

Oracle Database provides the ideal environment for implementing your ILM solution. Oracle supports multiple storage tiers, and because all of the data remains in the Oracle database, the use of multiple storage tiers is completely transparent to the application and the data continues to be completely secure. Partitioning provides the fundamental technology that enables data in tables to be stored in different partitions.

Although multiple storage tiers and sophisticated ILM policies are most often found in enterprise-level systems, most companies and most databases need some degree of information lifecycle management. The most basic of ILM operations, archiving older data and purging or removing that data from the database, can be orders of magnitude faster when using partitioning.

For more information about ILM, see [Chapter 5, "Using Partitioning for Information Lifecycle Management"](#).

## Partitioning for Every Database

The benefits of partitioning are not just for very large databases; every database, even small databases, can benefit from partitioning. While partitioning is a necessity for the largest databases in the world, partitioning is obviously beneficial for the smaller database as well. Even a database whose size is measured in megabytes can gain the same type of performance and manageability benefits from partitioning as the largest multi-terabyte systems.

For more information about how partitioning can provide benefits in a data warehouse environment, see [Chapter 6, "Using Partitioning in a Data Warehouse Environment"](#).

For more information about how partitioning can provide benefits in an OLTP environment, see [Chapter 7, "Using Partitioning in an Online Transaction Processing Environment"](#).



---

---

## Partitioning Concepts

Partitioning enhances the performance, manageability, and availability of a wide variety of applications and helps reduce the total cost of ownership for storing large amounts of data. Partitioning allows tables, indexes, and index-organized tables to be subdivided into smaller pieces, enabling these database objects to be managed and accessed at a finer level of granularity. Oracle provides a rich variety of partitioning strategies and extensions to address every business requirement. Because it is entirely transparent, partitioning can be applied to almost any application without the need for potentially expensive and time consuming application changes.

This chapter contains the following topics:

- [Basics of Partitioning](#)
- [Benefits of Partitioning](#)
- [Partitioning Strategies](#)
- [Partitioning Extensions](#)
- [Overview of Partitioned Indexes](#)

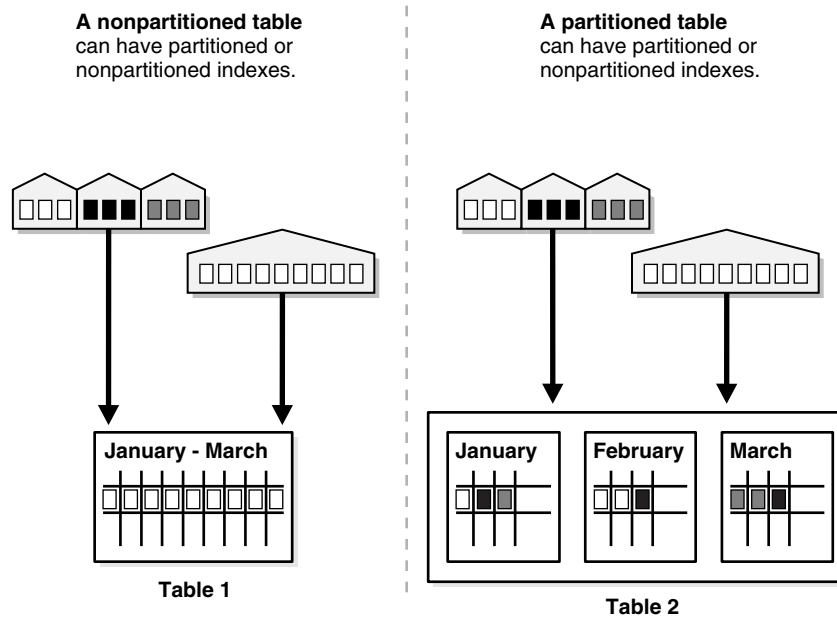
### Basics of Partitioning

Partitioning allows a table, index, or index-organized table to be subdivided into smaller pieces, where each piece of such a database object is called a partition. Each partition has its own name, and may optionally have its own storage characteristics.

From the perspective of a database administrator, a partitioned object has multiple pieces that can be managed either collectively or individually. This gives the administrator considerable flexibility in managing partitioned objects. However, from the perspective of the application, a partitioned table is identical to a nonpartitioned table; no modifications are necessary when accessing a partitioned table using SQL queries and DML statements.

[Figure 2-1](#) offers a graphical view of how partitioned tables differ from nonpartitioned tables.

**Figure 2–1 A View of Partitioned Tables**




---

**Note:** All partitions of a partitioned object must reside in tablespaces of a single block size.

---

**See Also:** *Oracle Database Concepts* for more information about multiple block sizes

## Partitioning Key

Each row in a partitioned table is unambiguously assigned to a single partition. The partitioning key consists of one or more columns that determine the partition where each row is stored. Oracle automatically directs insert, update, and delete operations to the appropriate partition with the partitioning key.

## Partitioned Tables

Any table can be partitioned into a million separate partitions except those tables containing columns with LONG or LONG RAW data types. You can, however, use tables containing columns with CLOB or BLOB data types.

---

**Note:** To reduce disk usage and memory usage (specifically, the buffer cache), you can store tables and partitions of a partitioned table in a compressed format inside the database. This often leads to a better scaleup for read-only operations. Table compression can also speed up query execution. There is, however, a slight cost in CPU overhead.

---

**See Also:** *Oracle Database Concepts* and *Oracle Database Administrator's Guide* for more information about table compression



## When to Partition a Table

Here are some suggestions for when to partition a table:

- Tables greater than 2 GB should always be considered as candidates for partitioning.
- Tables containing historical data, in which new data is added into the newest partition. A typical example is a historical table where only the current month's data is updatable and the other 11 months are read only.
- When the contents of a table must be distributed across different types of storage devices.

## When to Partition an Index

Here are some suggestions for when to consider partitioning an index:

- Avoid rebuilding the entire index when data is removed.
- Perform maintenance on parts of the data without invalidating the entire index.
- Reduce the impact of index skew caused by an index on a column with a monotonically increasing value.

## Partitioned Index-Organized Tables

Partitioned index-organized tables are very useful for providing improved performance, manageability, and availability for index-organized tables.

For partitioning an index-organized table:

- Partition columns must be a subset of the primary key columns.
- Secondary indexes can be partitioned (both locally and globally).
- OVERFLOW data segments are always equipartitioned with the table partitions.

**See Also:** *Oracle Database Concepts* for more information about index-organized tables

## System Partitioning

System partitioning enables application-controlled partitioning without having the database controlling the data placement. The database simply provides the ability to break down a table into partitions without knowing what the individual partitions are going to be used for. All aspects of partitioning have to be controlled by the application. For example, an attempt to insert into a system partitioned table without the explicit specification of a partition fail.

System partitioning provides the well-known benefits of partitioning (scalability, availability, and manageability), but the partitioning and actual data placement are controlled by the application.

**See Also:** *Oracle Database Data Cartridge Developer's Guide* for more information about system partitioning

## Partitioning for Information Lifecycle Management

Information Lifecycle Management (ILM) is concerned with managing data during its lifetime. Partitioning plays a key role in ILM because it enables groups of data (that is, partitions) to be distributed across different types of storage devices and managed individually.

For more information about Information Lifecycle Management, see [Chapter 5, "Using Partitioning for Information Lifecycle Management"](#).

## Partitioning and LOB Data

Unstructured data (such as images and documents) which is stored in a LOB column in the database can also be partitioned. When a table is partitioned, all the columns reside in the tablespace for that partition, except LOB columns, which can be stored in their own tablespace.

This technique is very useful when a table consists of large LOBs because they can be stored separately from the main data. This can be beneficial if the main data is being frequently updated but the LOB data is not. For example, an employee record may contain a photo which is unlikely to change frequently. However, the employee personnel details (such as address, department, manager, and so on) could change. This approach also means that cheaper storage can be used for storing the LOB data and more expensive, faster storage used for the employee record.

## Collections in XMLType and Object Data

Partitioning when using `XMLType` and object tables and columns offers the standard advantages of partitioning, such as allowing tables, and indexes to be subdivided into smaller pieces, thus enabling these database objects to be managed and accessed at a finer level of granularity.

When you partition an `XMLType` table or a table with an `XMLType` column using list, range, or hash partitioning, any ordered collection tables (OCTs) within the data are automatically partitioned accordingly, by default. This equipartitioning means that the partitioning of an OCT follows the partitioning scheme of its parent (base) table. There is a corresponding collection-table partition for each partition of the base table. A child element is stored in the collection-table partition that corresponds to the base-table partition of its parent element.

If you partition a table that has a nested table, Oracle Database uses the partitioning scheme of the original base table as the basis for how the nested table is partitioned. This partitioning of one base table partition for each nested table partition is called equipartitioning. By default, nested tables are automatically partitioned when the base table is partitioned. Note, however, that composite partitioning is not supported for OCTs or nested tables.

For information about partitioning an `XMLType` table, refer to "[Partitioning of Collections in XMLType and Objects](#)" on page 4-29.

### See Also:

- *Oracle Database Object-Relational Developer's Guide*
- *Oracle Database SQL Language Reference* for syntax of nested tables

## Benefits of Partitioning

Partitioning can provide tremendous benefit to a wide variety of applications by improving performance, manageability, and availability. It is not unusual for partitioning to improve the performance of certain queries or maintenance operations by an order of magnitude. Moreover, partitioning can greatly simplify common administration tasks.

Partitioning also enables database designers and administrators to tackle some difficult problems posed by cutting-edge applications. Partitioning is a key tool for

building multi-terabyte systems or systems with extremely high availability requirements.

## Partitioning for Performance

By limiting the amount of data to be examined or operated on, and by providing data distribution for parallel execution, partitioning provides multiple performance benefits. These features include:

- [Partition Pruning](#)
- [Partition-Wise Joins](#)

### Partition Pruning

Partition pruning is the simplest and also the most substantial means to improve performance using partitioning. Partition pruning can often improve query performance by several orders of magnitude. For example, suppose an application contains an `Orders` table containing a historical record of orders, and that this table has been partitioned by week. A query requesting orders for a single week would only access a single partition of the `Orders` table. If the `Orders` table had 2 years of historical data, then this query would access one partition instead of 104 partitions. This query could potentially execute 100 times faster simply because of partition pruning.

Partition pruning works with all of Oracle's other performance features. Oracle uses partition pruning with any indexing technique, join technique, or parallel access method.

### Partition-Wise Joins

Partitioning can also improve the performance of multi-table joins by using a technique known as partition-wise joins. Partition-wise joins can be applied when two tables are being joined and both tables are partitioned on the join key, or when a reference partitioned table is joined with its parent table. Partition-wise joins break a large join into smaller joins that occur between each of the partitions, completing the overall join in less time. This offers significant performance benefits both for serial and parallel execution.

## Partitioning for Manageability

Partitioning allows tables and indexes to be partitioned into smaller, more manageable units, providing database administrators with the ability to pursue a *divide and conquer* approach to data management. With partitioning, maintenance operations can be focused on particular portions of tables. For example, a database administrator could back up a single partition of a table, rather than backing up the entire table. For maintenance operations across an entire database object, it is possible to perform these operations on a per-partition basis, thus dividing the maintenance process into more manageable chunks.

A typical usage of partitioning for manageability is to support a *rolling window* load process in a data warehouse. Suppose that a DBA loads new data into a table on a weekly basis. That table could be partitioned so that each partition contains one week of data. The load process is simply the addition of a new partition using a partition exchange load. Adding a single partition is much more efficient than modifying the entire table, because the DBA does not need to modify any other partitions.

## Partitioning for Availability

Partitioned database objects provide partition independence. This characteristic of partition independence can be an important part of a high-availability strategy. For example, if one partition of a partitioned table is unavailable, then all of the other partitions of the table remain online and available. The application can continue to execute queries and transactions against the available partitions for the table, and these database operations run successfully, provided they do not need to access the unavailable partition.

The database administrator can specify that each partition be stored in a separate tablespace; the most common scenario is having these tablespaces stored on different storage tiers. Storing different partitions in different tablespaces allows the database administrator to do backup and recovery operations on each individual partition, independent of the other partitions in the table. Thus allowing the active parts of the database to be made available sooner so access to the system can continue, while the inactive data is still being restored. Moreover, partitioning can reduce scheduled downtime. The performance gains provided by partitioning may enable database administrators to complete maintenance operations on large database objects in relatively small batch windows.

## Partitioning Strategies

Oracle Partitioning offers three fundamental data distribution methods as basic partitioning strategies that control how data is placed into individual partitions:

- Range
- Hash
- List

Using these data distribution methods, a table can either be partitioned as a single list or as a composite partitioned table:

- [Single-Level Partitioning](#)
- [Composite Partitioning](#)

Each partitioning strategy has different advantages and design considerations. Thus, each strategy is more appropriate for a particular situation.

## Single-Level Partitioning

A table is defined by specifying one of the following data distribution methodologies, using one or more columns as the partitioning key:

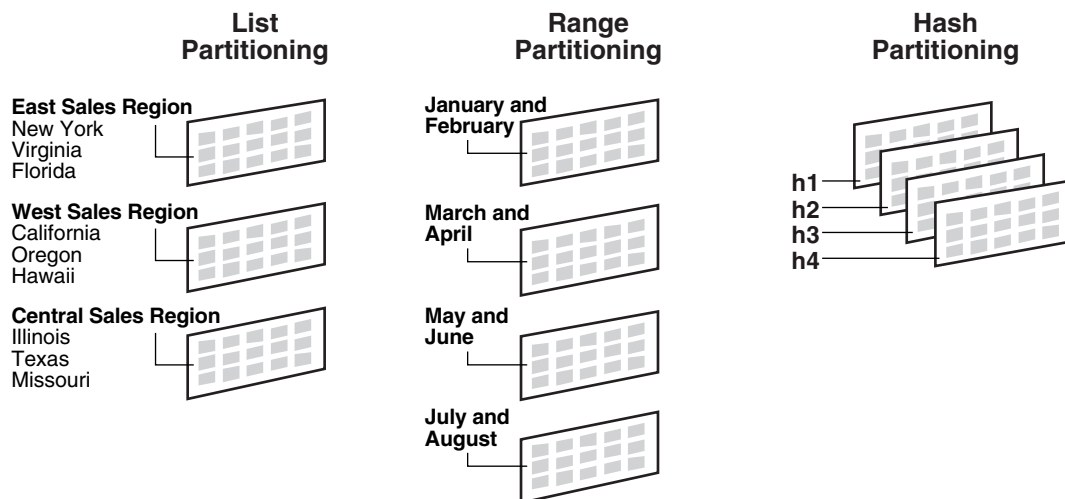
- [Range Partitioning](#)
- [Hash Partitioning](#)
- [List Partitioning](#)

For example, consider a table with a column of type `NUMBER` as the partitioning key and two partitions `less_than_five_hundred` and `less_than_one_thousand`. The `less_than_one_thousand` partition contains rows where the following condition is true:

```
500 <= partitioning key < 1000
```

[Figure 2–2](#) offers a graphical view of the basic partitioning strategies for a single-level partitioned table.

Figure 2–2 List, Range, and Hash Partitioning



### Range Partitioning

Range partitioning maps data to partitions based on ranges of values of the partitioning key that you establish for each partition. It is the most common type of partitioning and is often used with dates. For a table with a date column as the partitioning key, the **January-2010** partition would contain rows with partitioning key values from **01-Jan-2010** to **31-Jan-2010**.

Each partition has a `VALUES LESS THAN` clause, which specifies a non-inclusive upper bound for the partitions. Any values of the partitioning key equal to or higher than this literal are added to the next higher partition. All partitions, except the first, have an implicit lower bound specified by the `VALUES LESS THAN` clause of the previous partition.

A `MAXVALUE` literal can be defined for the highest partition. `MAXVALUE` represents a virtual infinite value that sorts higher than any other possible value for the partitioning key, including the `NULL` value.

### Hash Partitioning

Hash partitioning maps data to partitions based on a hashing algorithm that Oracle applies to the partitioning key that you identify. The hashing algorithm evenly distributes rows among partitions, giving partitions approximately the same size.

Hash partitioning is the ideal method for distributing data evenly across devices. Hash partitioning is also an easy-to-use alternative to range partitioning, especially when the data to be partitioned is not historical or has no obvious partitioning key.

---



---

**Note:** You cannot change the hashing algorithms used by partitioning.

---



---

### List Partitioning

List partitioning enables you to explicitly control how rows map to partitions by specifying a list of discrete values for the partitioning key in the description for each partition. The advantage of list partitioning is that you can group and organize unordered and unrelated sets of data in a natural way. For a table with a region

column as the partitioning key, the **East Sales Region** partition might contain values **New York, Virginia, and Florida**.

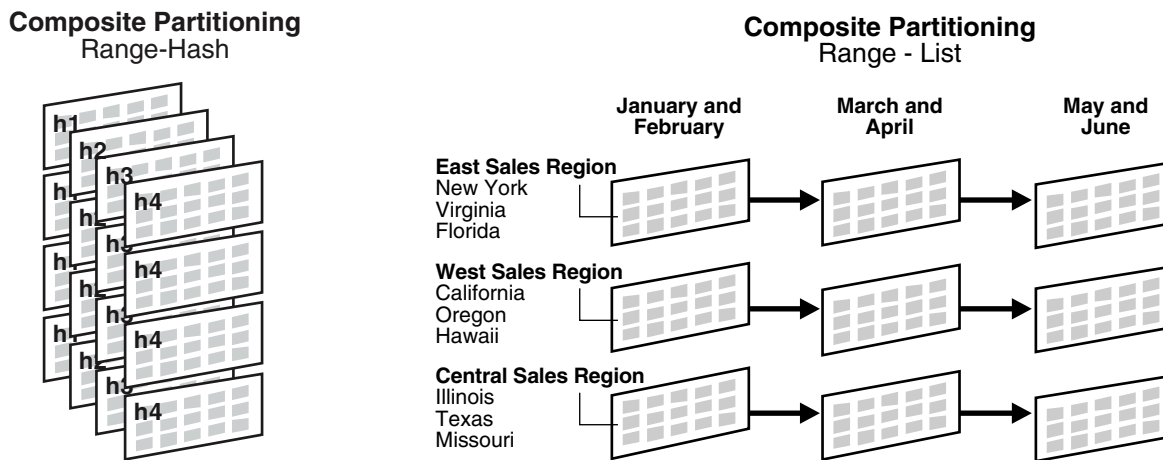
The `DEFAULT` partition enables you to avoid specifying all possible values for a list-partitioned table by using a default partition, so that all rows that do not map to any other partition do not generate an error.

## Composite Partitioning

Composite partitioning is a combination of the basic data distribution methods; a table is partitioned by one data distribution method and then each partition is further subdivided into subpartitions using a second data distribution method. All subpartitions for a given partition represent a logical subset of the data.

Composite partitioning supports historical operations, such as adding new range partitions, but also provides higher degrees of potential partition pruning and finer granularity of data placement through subpartitioning. [Figure 2-3](#) offers a graphical view of range-hash and range-list composite partitioning, as an example.

**Figure 2-3 Composite Partitioning**



- [Composite Range-Range Partitioning](#)
- [Composite Range-Hash Partitioning](#)
- [Composite Range-List Partitioning](#)
- [Composite List-Range Partitioning](#)
- [Composite List-Hash Partitioning](#)
- [Composite List-List Partitioning](#)

### Composite Range-Range Partitioning

Composite range-range partitioning enables logical range partitioning along two dimensions; for example, partition by `order_date` and range subpartition by `shipping_date`.

### Composite Range-Hash Partitioning

Composite range-hash partitioning partitions data using the range method, and within each partition, subpartitions it using the hash method. Composite range-hash

partitioning provides the improved manageability of range partitioning and the data placement, striping, and parallelism advantages of hash partitioning.

### Composite Range-List Partitioning

Composite range-list partitioning partitions data using the range method, and within each partition, subpartitions it using the list method. Composite range-list partitioning provides the manageability of range partitioning and the explicit control of list partitioning for the subpartitions.

### Composite List-Range Partitioning

Composite list-range partitioning enables logical range subpartitioning within a given list partitioning strategy; for example, list partition by `country_id` and range subpartition by `order_date`.

### Composite List-Hash Partitioning

Composite list-hash partitioning enables hash subpartitioning of a list-partitioned object; for example, to enable partition-wise joins.

### Composite List-List Partitioning

Composite list-list partitioning enables logical list partitioning along two dimensions; for example, list partition by `country_id` and list subpartition by `sales_channel`.

## Partitioning Extensions

In addition to the basic partitioning strategies, Oracle Database provides partitioning extensions:

- [Manageability Extensions](#)
- [Partitioning Key Extensions](#)

## Manageability Extensions

These extensions significantly enhance the manageability of partitioned tables:

- [Interval Partitioning](#)
- [Partition Advisor](#)

### Interval Partitioning

Interval partitioning is an extension of range partitioning which instructs the database to automatically create partitions of a specified interval when data inserted into the table exceeds all of the existing range partitions. You must specify at least one range partition. The range partitioning key value determines the high value of the range partitions, which is called the transition point, and the database creates interval partitions for data beyond that transition point. The lower boundary of every interval partition is the non-inclusive upper boundary of the previous range or interval partition.

For example, if you create an interval partitioned table with monthly intervals and the transition point at January 1, 2007, then the lower boundary for the January 2007 interval is January 1, 2007. The lower boundary for the July 2007 interval is July 1, 2007, regardless of whether the June 2007 partition was created.

When using interval partitioning, consider the following restrictions:

- You can only specify one partitioning key column, and it must be of NUMBER or DATE type.
- Interval partitioning is not supported for index-organized tables.
- You cannot create a domain index on an interval-partitioned table.

You can create single-level interval partitioned tables and the following composite partitioned tables:

- Interval-range
- Interval-hash
- Interval-list

### Partition Advisor

The Partition Advisor is part of the SQL Access Advisor. The Partition Advisor can recommend a partitioning strategy for a table based on a supplied workload of SQL statements which can be supplied by the SQL Cache, a SQL Tuning set, or be defined by the user.

## Partitioning Key Extensions

These extensions extend the flexibility in defining partitioning keys:

- [Reference Partitioning](#)
- [Virtual Column-Based Partitioning](#)

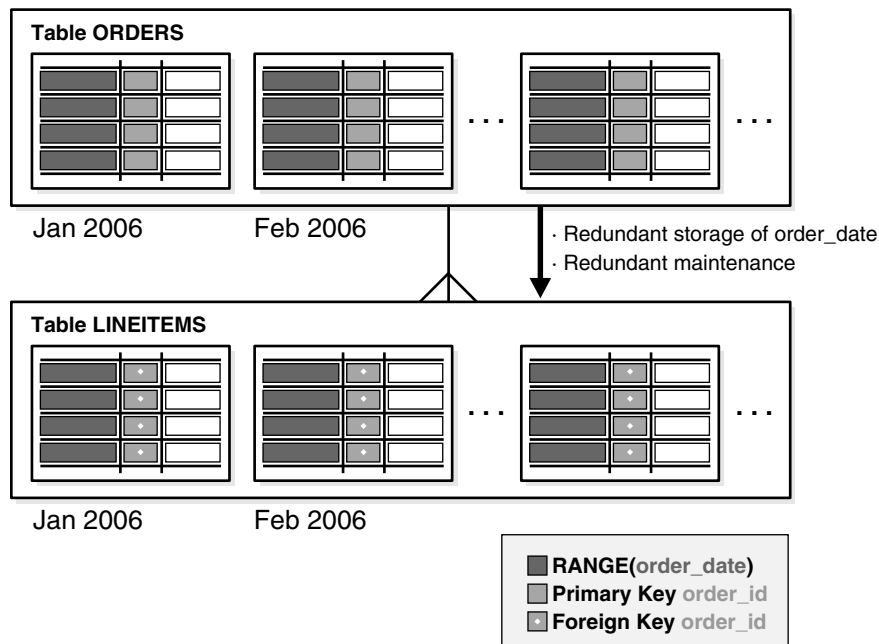
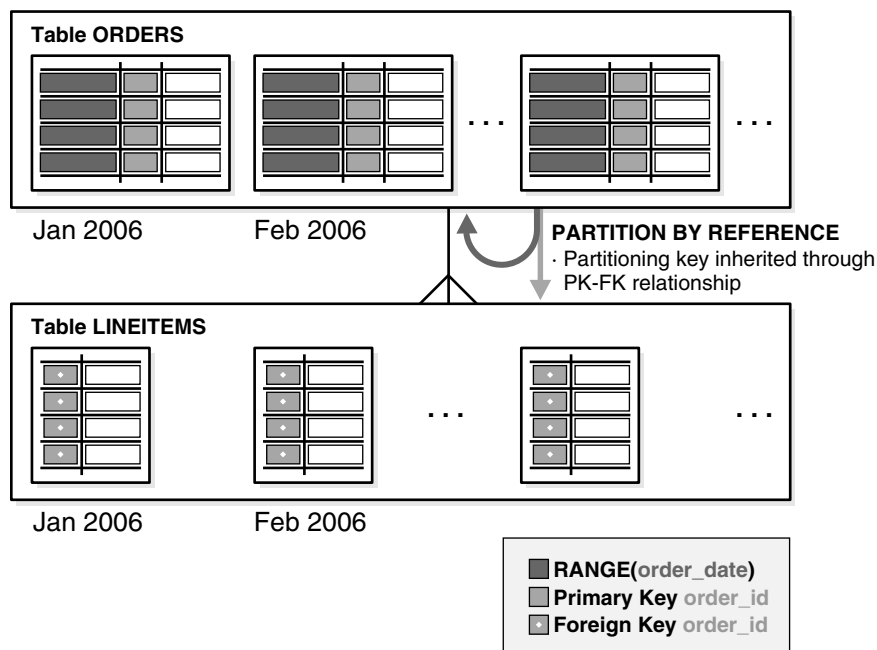
### Reference Partitioning

Reference partitioning allows the partitioning of two tables related to one another by referential constraints. The partitioning key is resolved through an existing parent-child relationship, enforced by enabled and active primary key and foreign key constraints.

The benefit of this extension is that tables with a parent-child relationship can be logically equipartitioned by inheriting the partitioning key from the parent table without duplicating the key columns. The logical dependency also automatically cascades partition maintenance operations, thus making application development easier and less error-prone.

An example of reference partitioning is the `Orders` and `OrderItems` tables related to each other by a referential constraint `orderid_refconstraint`. Namely, `OrderItems.OrderID` references `Orders.OrderID`. The `Orders` table is range partitioned on `OrderDate`. Reference partitioning on `orderid_refconstraint` for `OrderItems` leads to creation of the following partitioned table, which is equipartitioned on the `Orders` table, as shown in [Figure 2-4](#) and [Figure 2-5](#).



**Figure 2-4 Before Reference Partitioning****Figure 2-5 With Reference Partitioning**

All basic partitioning strategies are available for reference Partitioning. Interval partitioning cannot be used with reference partitioning.

### Virtual Column-Based Partitioning

In previous releases of Oracle Database, a table could only be partitioned if the partitioning key physically existed in the table. Virtual columns remove that restriction and allow the partitioning key to be defined by an expression, using one or more existing columns of a table. The expression is stored as metadata only.

Oracle Partitioning has been enhanced to allow a partitioning strategy to be defined on virtual columns. For example, a 10 digit account ID can include account branch information as the leading 3 digits. With the extension of virtual column based Partitioning, an ACCOUNTS table containing an ACCOUNT\_ID column can be extended with a virtual (derived) column ACCOUNT\_BRANCH that is derived from the first three digits of the ACCOUNT\_ID column, which becomes the partitioning key for this table.

Virtual column-based partitioning is supported with all basic partitioning strategies, including reference Partitioning, and interval and interval-\* composite partitioning.

## Overview of Partitioned Indexes

Just like partitioned tables, partitioned indexes improve manageability, availability, performance, and scalability. They can either be partitioned independently (global indexes) or automatically linked to a table's partitioning method (local indexes). In general, you should use global indexes for OLTP applications and local indexes for data warehousing or DSS applications. Also, whenever possible, you should try to use local indexes because they are easier to manage. When deciding what kind of partitioned index to use, you should consider the following guidelines in order:

1. If the table partitioning column is a subset of the index keys, use a local index. If this is the case, you are finished. If this is not the case, continue to guideline 2.
2. If the index is unique and does not include the partitioning key columns, then use a global index. If this is the case, then you are finished. Otherwise, continue to guideline 3.
3. If your priority is manageability, use a local index. If this is the case, you are finished. If this is not the case, continue to guideline 4.
4. If the application is an OLTP one and users need quick response times, use a global index. If the application is a DSS one and users are more interested in throughput, use a local index.

For more information about partitioned indexes and how to decide which type to use, refer to [Chapter 6, "Using Partitioning in a Data Warehouse Environment"](#) and [Chapter 7, "Using Partitioning in an Online Transaction Processing Environment"](#).

## Local Partitioned Indexes

Local partitioned indexes are easier to manage than other types of partitioned indexes. They also offer greater availability and are common in DSS environments. The reason for this is equipartitioning: each partition of a local index is associated with exactly one partition of the table. This functionality enables Oracle to automatically keep the index partitions synchronized with the table partitions, and makes each table-index pair independent. Any actions that make one partition's data invalid or unavailable only affect a single partition.

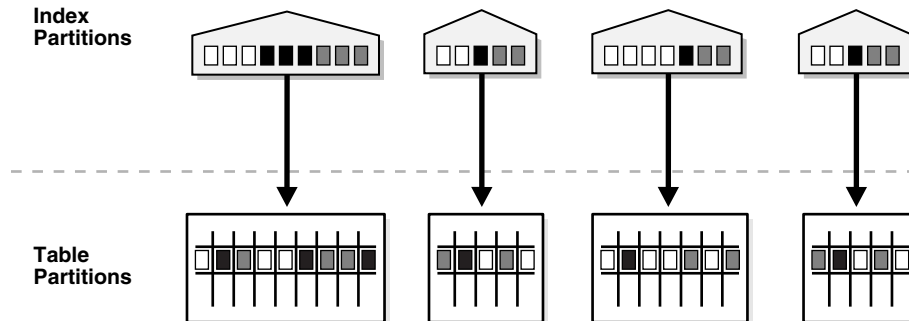
Local partitioned indexes support more availability when there are partition or subpartition maintenance operations on the table. A type of index called a local nonprefixed index is very useful for historical databases. In this type of index, the partitioning is not on the left prefix of the index columns. For more information about prefixed indexes, refer to [Chapter 3, "Partitioning for Availability, Manageability, and Performance"](#).

You cannot explicitly add a partition to a local index. Instead, new partitions are added to local indexes only when you add a partition to the underlying table. Likewise, you cannot explicitly drop a partition from a local index. Instead, local index partitions are dropped only when you drop a partition from the underlying table.

A local index can be unique. However, in order for a local index to be unique, the partitioning key of the table must be part of the index's key columns.

Figure 2–6 offers a graphical view of local partitioned indexes.

**Figure 2–6 Local Partitioned Index**



## Global Partitioned Indexes

Oracle offers two types of global partitioned indexes: range partitioned and hash partitioned.

### Global Range Partitioned Indexes

Global range partitioned indexes are flexible in that the degree of partitioning and the partitioning key are independent from the table's partitioning method.

The highest partition of a global index must have a partition bound, all of whose values are `MAXVALUE`. This ensures that all rows in the underlying table can be represented in the index. Global prefixed indexes can be unique or nonunique.

You cannot add a partition to a global index because the highest partition always has a partition bound of `MAXVALUE`. To add a new highest partition, use the `ALTER INDEX SPLIT PARTITION` statement. If a global index partition is empty, you can explicitly drop it by issuing the `ALTER INDEX DROP PARTITION` statement. If a global index partition contains data, dropping the partition causes the next highest partition to be marked unusable. You cannot drop the highest partition in a global index.

### Global Hash Partitioned Indexes

Global hash partitioned indexes improve performance by spreading out contention when the index is monotonically growing. In other words, most of the index insertions occur only on the right edge of an index.

### Maintenance of Global Partitioned Indexes

By default, the following operations on partitions on a heap-organized table mark all global indexes as unusable:

```
ADD (HASH)
COALESCE (HASH)
DROP
EXCHANGE
MERGE
MOVE
SPLIT
TRUNCATE
```

These indexes can be maintained by appending the clause `UPDATE INDEXES` to the SQL statements for the operation. The two advantages to maintaining global indexes:

- The index remains available and online throughout the operation. Hence no other applications are affected by this operation.
- The index does not have to be rebuilt after the operation.

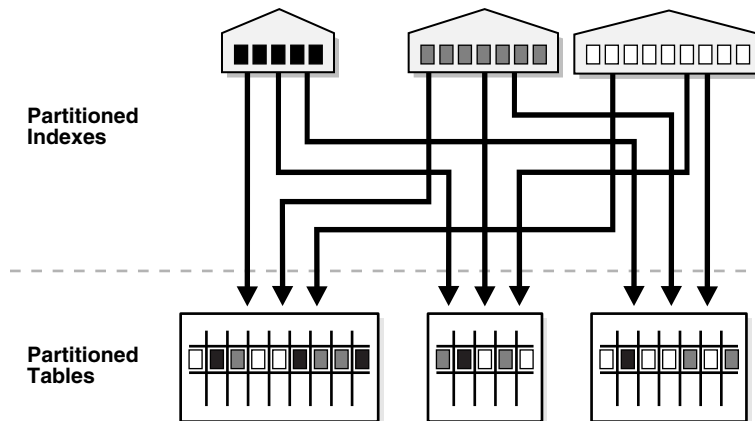
---

**Note:** This feature is supported only for heap-organized tables.

---

Figure 2-7 offers a graphical view of global partitioned indexes.

**Figure 2-7 Global Partitioned Index**

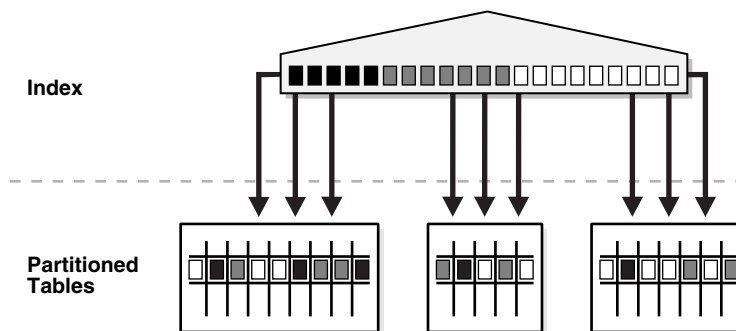


## Global Nonpartitioned Indexes

Global nonpartitioned indexes behave just like a nonpartitioned index.

Figure 2-8 offers a graphical view of global nonpartitioned indexes.

**Figure 2-8 Global Nonpartitioned Index**



## Miscellaneous Information about Creating Indexes on Partitioned Tables

You can create bitmap indexes on partitioned tables, with the restriction that the bitmap indexes must be local to the partitioned table. They cannot be global indexes.

Global indexes can be unique. Local indexes can only be unique if the partitioning key is a part of the index key.

## Partitioned Indexes on Composite Partitions

Here are a few points to remember when using partitioned indexes on composite partitions:

- Subpartitioned indexes are always local and stored with the table subpartition by default.
- Tablespaces can be specified at either index or index subpartition levels.



---

## Partitioning for Availability, Manageability, and Performance

This chapter provides high-level insight into how partitioning enables availability, manageability, and performance. This chapter presents guidelines on when to use a given partitioning strategy. The main focus of this chapter is the use of table partitioning, though most of the recommendations and considerations apply to index partitioning as well.

This chapter contains the following topics:

- [Partition Pruning](#)
- [Partition-Wise Joins](#)
- [Index Partitioning](#)
- [Partitioning and Table Compression](#)
- [Recommendations for Choosing a Partitioning Strategy](#)

### Partition Pruning

Partition pruning is an essential performance feature for data warehouses. In partition pruning, the optimizer analyzes `FROM` and `WHERE` clauses in SQL statements to eliminate unneeded partitions when building the partition access list. This functionality enables Oracle Database to perform operations only on those partitions that are relevant to the SQL statement.

Partition pruning dramatically reduces the amount of data retrieved from disk and shortens processing time, thus improving query performance and optimizing resource utilization. If you partition the index and table on different columns (with a global partitioned index), then partition pruning also eliminates index partitions even when the partitions of the underlying table cannot be eliminated.

Depending upon the actual SQL statement, Oracle Database may use static or dynamic pruning. Static pruning occurs at compile-time, with the information about the partitions accessed beforehand while dynamic pruning occurs at run-time, meaning that the exact partitions to be accessed by a statement are not known beforehand. A sample scenario for static pruning would be a SQL statement containing a `WHERE` condition with a constant literal on the partition key column. An example of dynamic pruning is the use of operators or functions in the `WHERE` condition.

Partition pruning affects the statistics of the objects where pruning occurs and also affects the execution plan of a statement.

## Information That Can Be Used for Partition Pruning

Oracle Database prunes partitions when you use range, `LIKE`, equality, and `IN`-list predicates on the range or list partitioning columns, and when you use equality and `IN`-list predicates on the hash partitioning columns.

On composite partitioned objects, Oracle Database can prune at both levels using the relevant predicates. Examine the table `sales_range_hash`, which is partitioned by range on the column `s_saledate` and subpartitioned by hash on the column `s_productid`, and consider the following example:

### **Example 3-1** Creating a table with partition pruning

```
CREATE TABLE sales_range_hash(
  s_productid NUMBER,
  s_saledate DATE,
  s_custid NUMBER,
  s_totalprice NUMBER)
PARTITION BY RANGE (s_saledate)
SUBPARTITION BY HASH (s_productid) SUBPARTITIONS 8
(PARTITION sa199q1 VALUES LESS THAN
 (TO_DATE('01-APR-1999', 'DD-MON-YYYY')),
 PARTITION sa199q2 VALUES LESS THAN
 (TO_DATE('01-JUL-1999', 'DD-MON-YYYY')),
 PARTITION sa199q3 VALUES LESS THAN
 (TO_DATE('01-OCT-1999', 'DD-MON-YYYY')),
 PARTITION sa199q4 VALUES LESS THAN
 (TO_DATE('01-JAN-2000', 'DD-MON-YYYY')));

SELECT * FROM sales_range_hash
WHERE s_saledate BETWEEN (TO_DATE('01-JUL-1999', 'DD-MON-YYYY'))
 AND (TO_DATE('01-OCT-1999', 'DD-MON-YYYY')) AND s_productid = 1200;
```

Oracle uses the predicate on the partitioning columns to perform partition pruning as follows:

- When using range partitioning, Oracle accesses only partitions `sa199q2` and `sa199q3`, representing the partitions for the third and fourth quarters of 1999.
- When using hash subpartitioning, Oracle accesses only the one subpartition in each partition that stores the rows with `s_productid=1200`. The mapping between the subpartition and the predicate is calculated based on Oracle's internal hash distribution function.

A reference-partitioned table can take advantage of partition pruning through the join with the referenced table. Virtual column-based partitioned tables benefit from partition pruning for statements that use the virtual column-defining expression in the `SQL` statement.

## How to Identify Whether Partition Pruning has been Used

Whether Oracle uses partition pruning or not is reflected in the execution plan of a statement, either in the plan table for the `EXPLAIN PLAN` statement or in the shared `SQL` area.

The partition pruning information is reflected in the plan columns `PSTART` (`PARTITION_START`) and `PSTOP` (`PARTITION_STOP`). For serial statements, the pruning information is also reflected in the `OPERATION` and `OPTIONS` columns.



**See Also:** *Oracle Database Performance Tuning Guide* for more information about EXPLAIN PLAN and how to interpret it

## Static Partition Pruning

For many cases, Oracle determines the partitions to be accessed at compile time. Static partition pruning occurs if you use static predicates, except for the following cases:

- Partition pruning occurs using the result of a subquery.
- The optimizer rewrites the query with a star transformation and pruning occurs after the star transformation.
- The most efficient execution plan is a nested loop.

These three cases result in the use of dynamic pruning.

If at parse time Oracle can identify which contiguous set of partitions are accessed, then the PSTART and PSTOP columns in the execution plan show the begin and the end values of the partitions being accessed. Any other cases of partition pruning, including dynamic pruning, show the KEY value in PSTART and PSTOP, optionally with an additional attribute.

The following is an example:

```
SQL> explain plan for select * from sales where time_id = to_date('01-jan-2001', 'dd-mon-yyyy');
Explained.
```

```
SQL> select * from table(dbms_xplan.display);
PLAN_TABLE_OUTPUT
```

```
-----
Plan hash value: 3971874201
```

```
-----
| Id | Operation                | Name | Rows | Bytes | Cost (%CPU)| Time     | Pstart | Pstop |
-----+-----+-----+-----+-----+-----+-----+-----+-----+
|  0 | SELECT STATEMENT         |      |  673 | 19517 |  27   (8) | 00:00:01 |       |       |
|  1 | PARTITION RANGE SINGLE   |      |  673 | 19517 |  27   (8) | 00:00:01 |  17   |  17   |
|* 2 | TABLE ACCESS FULL       | SALES|  673 | 19517 |  27   (8) | 00:00:01 |  17   |  17   |
-----+-----+-----+-----+-----+-----+-----+-----+-----+-----+
```

```
Predicate Information (identified by operation id):
```

```
-----
  2 - filter("TIME_ID"=TO_DATE('2001-01-01 00:00:00', 'yyyy-mm-dd hh24:mi:ss'))
```

This plan shows that Oracle accesses partition number 17, as shown in the PSTART and PSTOP columns. The OPERATION column shows PARTITION RANGE SINGLE, indicating that only a single partition is being accessed. If OPERATION shows PARTITION RANGE ALL, then all partitions are being accessed and effectively no pruning takes place. PSTART then shows the very first partition of the table and PSTOP shows the very last partition.

An execution plan with a full table scan on an interval-partitioned table shows 1 for PSTART, and 1048575 for PSTOP, regardless of how many interval partitions were created.

## Dynamic Partition Pruning

Dynamic pruning occurs if pruning is possible and static pruning is not possible. The following examples show multiple dynamic pruning cases.

## Dynamic Pruning with Bind Variables

Statements that use bind variables against partition columns result in dynamic pruning. For example:

```
SQL> explain plan for select * from sales s where time_id in (:a, :b, :c, :d);
Explained.
```

```
SQL> select * from table(dbms_xplan.display);
PLAN_TABLE_OUTPUT
```

```
-----
Plan hash value: 513834092
-----
```

| Id  | Operation                         | Name           | Rows | Bytes | Cost (%CPU) | Time     | Pstart | Pstop  |
|-----|-----------------------------------|----------------|------|-------|-------------|----------|--------|--------|
| 0   | SELECT STATEMENT                  |                | 2517 | 72993 | 292 (0)     | 00:00:04 |        |        |
| 1   | INLIST ITERATOR                   |                |      |       |             |          |        |        |
| 2   | PARTITION RANGE ITERATOR          |                | 2517 | 72993 | 292 (0)     | 00:00:04 | KEY(I) | KEY(I) |
| 3   | TABLE ACCESS BY LOCAL INDEX ROWID | SALES          | 2517 | 72993 | 292 (0)     | 00:00:04 | KEY(I) | KEY(I) |
| 4   | BITMAP CONVERSION TO ROWIDS       |                |      |       |             |          |        |        |
| * 5 | BITMAP INDEX SINGLE VALUE         | SALES_TIME_BIX |      |       |             |          | KEY(I) | KEY(I) |

```
-----
Predicate Information (identified by operation id):
-----
```

```
5 - access("TIME_ID"=:A OR "TIME_ID"=:B OR "TIME_ID"=:C OR "TIME_ID"=:D)
```

For parallel plans, only the partition start and stop columns contain the partition pruning information; the operation column contains information for the parallel operation, as shown in the following example:

```
SQL> explain plan for select * from sales where time_id in (:a, :b, :c, :d);
Explained.
```

```
SQL> select * from table(dbms_xplan.display);
PLAN_TABLE_OUTPUT
```

```
-----
Plan hash value: 4058105390
-----
```

| Id  | Operation           | Name     | Rows | Bytes | Cost(%CP) | Time     | Pstart | Pstop  | TQ    | INOUT | PQ Dis    |
|-----|---------------------|----------|------|-------|-----------|----------|--------|--------|-------|-------|-----------|
| 0   | SELECT STATEMENT    |          | 2517 | 72993 | 75 (36)   | 00:00:01 |        |        |       |       |           |
| 1   | PX COORDINATOR      |          |      |       |           |          |        |        |       |       |           |
| 2   | PX SEND QC (RANDOM) | :TQ10000 | 2517 | 72993 | 75 (36)   | 00:00:01 |        |        | Q1,00 | P->S  | QC (RAND) |
| 3   | PX BLOCK ITERATOR   |          | 2517 | 72993 | 75 (36)   | 00:00:01 | KEY(I) | KEY(I) | Q1,00 | PCWC  |           |
| * 4 | TABLE ACCESS FULL   | SALES    | 2517 | 72993 | 75 (36)   | 00:00:01 | KEY(I) | KEY(I) | Q1,00 | PCWP  |           |

```
-----
Predicate Information (identified by operation id):
-----
```

```
4 - filter("TIME_ID"=:A OR "TIME_ID"=:B OR "TIME_ID"=:C OR "TIME_ID"=:D)
```

**See Also:** *Oracle Database Performance Tuning Guide* for more information about EXPLAIN PLAN and how to interpret it

## Dynamic Pruning with Subqueries

Statements that explicitly use subqueries against partition columns result in dynamic pruning. For example:

```
SQL> explain plan for select sum(amount_sold) from sales where time_id in
(select time_id from times where fiscal_year = 2000);
Explained.
```

```
SQL> select * from table(dbms_xplan.display);
PLAN_TABLE_OUTPUT
PLAN_TABLE_OUTPUT
```

```
-----
Plan hash value: 3827742054
```

| Id  | Operation                | Name  | Rows | Bytes | Cost (%CPU) | Time     | Pstart   | Pstop    |
|-----|--------------------------|-------|------|-------|-------------|----------|----------|----------|
| 0   | SELECT STATEMENT         |       | 1    | 25    | 523 (5)     | 00:00:07 |          |          |
| 1   | SORT AGGREGATE           |       | 1    | 25    |             |          |          |          |
| * 2 | HASH JOIN                |       | 191K | 4676K | 523 (5)     | 00:00:07 |          |          |
| * 3 | TABLE ACCESS FULL        | TIMES | 304  | 3648  | 18 (0)      | 00:00:01 |          |          |
| 4   | PARTITION RANGE SUBQUERY |       | 918K | 11M   | 498 (4)     | 00:00:06 | KEY (SQ) | KEY (SQ) |
| 5   | TABLE ACCESS FULL        | SALES | 918K | 11M   | 498 (4)     | 00:00:06 | KEY (SQ) | KEY (SQ) |

```
-----
Predicate Information (identified by operation id):
```

```
-----
2 - access("TIME_ID"="TIME_ID")
3 - filter("FISCAL_YEAR"=2000)
```

**See Also:** *Oracle Database Performance Tuning Guide* for more information about EXPLAIN PLAN and how to interpret it

## Dynamic Pruning with Star Transformation

Statements that get transformed by the database using the star transformation result in dynamic pruning. For example:

```
SQL> explain plan for select p.prod_name, t.time_id, sum(s.amount_sold)
from sales s, times t, products p
where s.time_id = t.time_id and s.prod_id = p.prod_id and t.fiscal_year = 2000
and t.fiscal_week_number = 3 and p.prod_category = 'Hardware'
group by t.time_id, p.prod_name;
Explained.
```

```
SQL> select * from table(dbms_xplan.display);
PLAN_TABLE_OUTPUT
```

```
-----
Plan hash value: 4020965003
```

| Id   | Operation                         | Name           | Rows | Bytes | Pstart   | Pstop    |
|------|-----------------------------------|----------------|------|-------|----------|----------|
| 0    | SELECT STATEMENT                  |                | 1    | 79    |          |          |
| 1    | HASH GROUP BY                     |                | 1    | 79    |          |          |
| * 2  | HASH JOIN                         |                | 1    | 79    |          |          |
| * 3  | HASH JOIN                         |                | 2    | 64    |          |          |
| * 4  | TABLE ACCESS FULL                 | TIMES          | 6    | 90    |          |          |
| 5    | PARTITION RANGE SUBQUERY          |                | 587  | 9979  | KEY (SQ) | KEY (SQ) |
| 6    | TABLE ACCESS BY LOCAL INDEX ROWID | SALES          | 587  | 9979  | KEY (SQ) | KEY (SQ) |
| 7    | BITMAP CONVERSION TO ROWIDS       |                |      |       |          |          |
| 8    | BITMAP AND                        |                |      |       |          |          |
| 9    | BITMAP MERGE                      |                |      |       |          |          |
| 10   | BITMAP KEY ITERATION              |                |      |       |          |          |
| 11   | BUFFER SORT                       |                |      |       |          |          |
| * 12 | TABLE ACCESS FULL                 | TIMES          | 6    | 90    |          |          |
| * 13 | BITMAP INDEX RANGE SCAN           | SALES_TIME_BIX |      |       | KEY (SQ) | KEY (SQ) |
| 14   | BITMAP MERGE                      |                |      |       |          |          |
| 15   | BITMAP KEY ITERATION              |                |      |       |          |          |
| 16   | BUFFER SORT                       |                |      |       |          |          |
| 17   | TABLE ACCESS BY INDEX ROWID       | PRODUCTS       | 14   | 658   |          |          |

|      |                             |                      |    |     |          |          |  |
|------|-----------------------------|----------------------|----|-----|----------|----------|--|
| * 18 | INDEX RANGE SCAN            | PRODUCTS_PROD_CAT_IX | 14 |     |          |          |  |
| * 19 | BITMAP INDEX RANGE SCAN     | SALES_PROD_BIX       |    |     | KEY (SQ) | KEY (SQ) |  |
| 20   | TABLE ACCESS BY INDEX ROWID | PRODUCTS             | 14 | 658 |          |          |  |
| * 21 | INDEX RANGE SCAN            | PRODUCTS_PROD_CAT_IX | 14 |     |          |          |  |

Predicate Information (identified by operation id):

- 2 - access("S"."PROD\_ID"="P"."PROD\_ID")
- 3 - access("S"."TIME\_ID"="T"."TIME\_ID")
- 4 - filter("T"."FISCAL\_WEEK\_NUMBER"=3 AND "T"."FISCAL\_YEAR"=2000)
- 12 - filter("T"."FISCAL\_WEEK\_NUMBER"=3 AND "T"."FISCAL\_YEAR"=2000)
- 13 - access("S"."TIME\_ID"="T"."TIME\_ID")
- 18 - access("P"."PROD\_CATEGORY"='Hardware')
- 19 - access("S"."PROD\_ID"="P"."PROD\_ID")
- 21 - access("P"."PROD\_CATEGORY"='Hardware')

Note

- star transformation used for this statement

---

**Note:** The Cost (%CPU) and Time columns were removed from the plan table output in this example.

---

**See Also:** *Oracle Database Performance Tuning Guide* for more information about EXPLAIN PLAN and how to interpret it

### Dynamic Pruning with Nested Loop Joins

Statements that are most efficiently executed using a nested loop join use dynamic pruning. For example:

```
SQL> explain plan for select t.time_id, sum(s.amount_sold)
from sales s, times t
where s.time_id = t.time_id and t.fiscal_year = 2000 and t.fiscal_week_number = 3
group by t.time_id;
Explained.
```

```
SQL> select * from table(dbms_xplan.display);
PLAN_TABLE_OUTPUT
```

Plan hash value: 50737729

| Id  | Operation                | Name  | Rows | Bytes | Cost (%CPU) | Time     | Pstart | Pstop |
|-----|--------------------------|-------|------|-------|-------------|----------|--------|-------|
| 0   | SELECT STATEMENT         |       | 6    | 168   | 126 (4)     | 00:00:02 |        |       |
| 1   | HASH GROUP BY            |       | 6    | 168   | 126 (4)     | 00:00:02 |        |       |
| 2   | NESTED LOOPS             |       | 3683 | 100K  | 125 (4)     | 00:00:02 |        |       |
| * 3 | TABLE ACCESS FULL        | TIMES | 6    | 90    | 18 (0)      | 00:00:01 |        |       |
| 4   | PARTITION RANGE ITERATOR |       | 629  | 8177  | 18 (6)      | 00:00:01 | KEY    | KEY   |
| * 5 | TABLE ACCESS FULL        | SALES | 629  | 8177  | 18 (6)      | 00:00:01 | KEY    | KEY   |

Predicate Information (identified by operation id):

- 3 - filter("T"."FISCAL\_WEEK\_NUMBER"=3 AND "T"."FISCAL\_YEAR"=2000)
- 5 - filter("S"."TIME\_ID"="T"."TIME\_ID")

**See Also:** *Oracle Database Performance Tuning Guide* for more information about EXPLAIN PLAN and how to interpret it

## Partition Pruning Tips

When using partition pruning, you should consider the following:

- [Data Type Conversions](#)
- [Function Calls](#)
- [Collection Tables](#)

### Data Type Conversions

To get the maximum performance benefit from partition pruning, you should avoid constructs that require the database to convert the data type you specify. Data type conversions typically result in dynamic pruning when static pruning would have otherwise been possible. SQL statements that benefit from static pruning perform better than statements that benefit from dynamic pruning.

A common case of data type conversions occurs when using the Oracle DATE data type. An Oracle DATE data type is not a character string but is only represented as such when querying the database; the format of the representation is defined by the NLS setting of the instance or the session. Consequently, the same reverse conversion has to happen when inserting data into a DATE field or specifying a predicate on such a field.

A conversion can either happen implicitly or explicitly by specifying a TO\_DATE conversion. Only a properly applied TO\_DATE function guarantees that the database can uniquely determine the date value and using it potentially for static pruning, which is especially beneficial for single partition access.

Consider the following example that runs against the sample SH schema in an Oracle Database. You would like to know the total revenue number for the year 2000. There are multiple ways you can retrieve the answer to the query, but not every method is equally efficient.

```
explain plan for SELECT SUM(amount_sold) total_revenue
FROM sales,
WHERE time_id between '01-JAN-00' and '31-DEC-00';
```

The plan should now be similar to the following:

| Id  | Operation                | Name  | Rows | Bytes | Cost (%CPU) | Time     | Pstart | Pstop |
|-----|--------------------------|-------|------|-------|-------------|----------|--------|-------|
| 0   | SELECT STATEMENT         |       | 1    | 13    | 525 (8)     | 00:00:07 |        |       |
| 1   | SORT AGGREGATE           |       | 1    | 13    |             |          |        |       |
| * 2 | FILTER                   |       |      |       |             |          |        |       |
| 3   | PARTITION RANGE ITERATOR |       | 230K | 2932K | 525 (8)     | 00:00:07 | KEY    | KEY   |
| * 4 | TABLE ACCESS FULL        | SALES | 230K | 2932K | 525 (8)     | 00:00:07 | KEY    | KEY   |

Predicate Information (identified by operation id):

```
2 - filter(TO_DATE('01-JAN-00')<=TO_DATE('31-DEC-00'))
4 - filter("TIME_ID">='01-JAN-00' AND "TIME_ID"<='31-DEC-00')
```

In this case, the keyword KEY for both PSTART and PSTOP means that dynamic partition pruning occurs at run-time. Consider the following case.

```

explain plan for select sum(amount_sold)
from sales
where time_id between '01-JAN-2000' and '31-DEC-2000' ;

```

The execution plan now shows the following:

```

-----
| Id | Operation                               | Name | Rows | Bytes | Cost (%CPU)| Pstart| Pstop |
-----
|  0 | SELECT STATEMENT                         |      |    1 |    13 |   127 (4)|      |      |
|  1 |   SORT AGGREGATE                         |      |    1 |    13 |           |      |      |
|  2 |    PARTITION RANGE ITERATOR              |      | 230K | 2932K |   127 (4)|    13 |    16 |
|*  3 |     TABLE ACCESS FULL                   | SALES | 230K | 2932K |   127 (4)|    13 |    16 |
-----

```

Predicate Information (identified by operation id):

```

-----
3 - filter("TIME_ID"<=TO_DATE(' 2000-12-31 00:00:00', 'syyyy-mm-dd hh24:mi:ss'))

```

---

**Note:** The Time column was removed from the execution plan.

---

The execution plan shows static partition pruning. The query accesses a contiguous list of partitions 13 to 16. In this particular case the way the date format was specified matches the NLS date format setting. Though this example shows the most efficient execution plan, you cannot rely on the NLS date format setting to define a certain format.

```
alter session set nls_date_format='fmd Month yyyy';
```

```

explain plan for select sum(amount_sold)
from sales
where time_id between '01-JAN-2000' and '31-DEC-2000' ;

```

The execution plan now shows the following:

```

-----
| Id | Operation                               | Name | Rows | Bytes | Cost (%CPU)| Pstart| Pstop |
-----
|  0 | SELECT STATEMENT                         |      |    1 |    13 |   525 (8)|      |      |
|  1 |   SORT AGGREGATE                         |      |    1 |    13 |           |      |      |
|*  2 |    FILTER                                |      |      |      |           |      |      |
|  3 |     PARTITION RANGE ITERATOR              |      | 230K | 2932K |   525 (8)|    KEY|    KEY|
|*  4 |      TABLE ACCESS FULL                   | SALES | 230K | 2932K |   525 (8)|    KEY|    KEY|
-----

```

Predicate Information (identified by operation id):

```

-----
2 - filter(TO_DATE('01-JAN-2000')<=TO_DATE('31-DEC-2000'))
4 - filter("TIME_ID">='01-JAN-2000' AND "TIME_ID"<='31-DEC-2000')

```

---

**Note:** The Time column was removed from the execution plan.

---

This plan, which uses dynamic pruning, again is less efficient than the static pruning execution plan. To guarantee a static partition pruning plan, you should explicitly convert data types to match the partition column data type. For example:

```
explain plan for select sum(amount_sold)
from sales
where time_id between to_date('01-JAN-2000','dd-MON-yyyy')
and to_date('31-DEC-2000','dd-MON-yyyy') ;
```

| Id  | Operation                | Name  | Rows | Bytes | Cost (%CPU) | Pstart | Pstop |
|-----|--------------------------|-------|------|-------|-------------|--------|-------|
| 0   | SELECT STATEMENT         |       | 1    | 13    | 127 (4)     |        |       |
| 1   | SORT AGGREGATE           |       | 1    | 13    |             |        |       |
| 2   | PARTITION RANGE ITERATOR |       | 230K | 2932K | 127 (4)     | 13     | 16    |
| * 3 | TABLE ACCESS FULL        | SALES | 230K | 2932K | 127 (4)     | 13     | 16    |

Predicate Information (identified by operation id):

```
3 - filter("TIME_ID"<=TO_DATE(' 2000-12-31 00:00:00', 'syyyy-mm-dd hh24:mi:ss'))
```

---

**Note:** The Time column was removed from the execution plan.

---

#### See Also:

- *Oracle Database SQL Language Reference* for details about the DATE data type
- *Oracle Database Globalization Support Guide* for details about NLS settings and globalization issues

### Function Calls

There are several cases when the optimizer cannot perform any pruning. One common reason is when an operator is used on top of a partitioning column. This could be an explicit operator (for example, a function) or even an implicit operator introduced by Oracle as part of the necessary data type conversion for executing the statement. For example, consider the following query:

```
EXPLAIN PLAN FOR
SELECT SUM(quantity_sold)
FROM sales
WHERE time_id = TO_TIMESTAMP('1-jan-2000', 'dd-mon-yyyy');
```

Because `time_id` is of type DATE and Oracle must promote it to the TIMESTAMP type to get the same data type, this predicate is internally rewritten as:

```
TO_TIMESTAMP(time_id) = TO_TIMESTAMP('1-jan-2000', 'dd-mon-yyyy')
```

The explain plan for this statement is as follows:

| Id | Operation        | Name | Rows | Bytes | Cost (%CPU) | Time     | Pstart | Pstop |
|----|------------------|------|------|-------|-------------|----------|--------|-------|
| 0  | SELECT STATEMENT |      | 1    | 11    | 6 (17)      | 00:00:01 |        |       |
| 1  | SORT AGGREGATE   |      | 1    | 11    |             |          |        |       |

|    |                     |       |    |     |        |          |   |    |
|----|---------------------|-------|----|-----|--------|----------|---|----|
| 2  | PARTITION RANGE ALL |       | 10 | 110 | 6 (17) | 00:00:01 | 1 | 16 |
| *3 | TABLE ACCESS FULL   | SALES | 10 | 110 | 6 (17) | 00:00:01 | 1 | 16 |

Predicate Information (identified by operation id):

3 - filter(INTERNAL\_FUNCTION("TIME\_ID")=TO\_TIMESTAMP('1-jan-2000',:B1))

15 rows selected

The SELECT statement accesses all partitions even though pruning down to a single partition could have taken place. Consider the example to find the total sales revenue number for 2000. Another way to construct the query would be:

```
EXPLAIN PLAN FOR
SELECT SUM(amount_sold)
FROM sales
WHERE TO_CHAR(time_id,'yyyy') = '2000';
```

This query applies a function call to the partition key column, which generally disables partition pruning. The execution plan shows a full table scan with no partition pruning:

| Id  | Operation           | Name  | Rows | Bytes | Cost (%CPU) | Time     | Pstart | Pstop |
|-----|---------------------|-------|------|-------|-------------|----------|--------|-------|
| 0   | SELECT STATEMENT    |       | 1    | 13    | 527 (9)     | 00:00:07 |        |       |
| 1   | SORT AGGREGATE      |       | 1    | 13    |             |          |        |       |
| 2   | PARTITION RANGE ALL |       | 9188 | 116K  | 527 (9)     | 00:00:07 | 1      | 28    |
| * 3 | TABLE ACCESS FULL   | SALES | 9188 | 116K  | 527 (9)     | 00:00:07 | 1      | 28    |

Predicate Information (identified by operation id):

3 - filter(TO\_CHAR(INTERNAL\_FUNCTION("TIME\_ID"),'yyyy')='2000')

Avoid using implicit or explicit functions on the partition columns. If your queries commonly use function calls, then consider using a virtual column and virtual column partitioning to benefit from partition pruning in these cases.

### Collection Tables

The following example illustrates what an EXPLAIN PLAN statement might look like when it contains Collection Tables, which, for the purposes of this discussion, are ordered collection tables or nested tables. It is based on the CREATE TABLE statement in ["Partitioning of Collections in XMLType and Objects"](#) on page 4-29. Note that a full table access is not performed as it is constrained to just the partition in question.

```
EXPLAIN PLAN FOR
SELECT p.ad_textdocs_ntab
FROM print_media_part p;
```

Explained.

PLAN\_TABLE\_OUTPUT

Plan hash value: 2207588228

| Id | Operation | Name | Pstart | Pstop |
|----|-----------|------|--------|-------|
|----|-----------|------|--------|-------|



|   |                            |                  |     |     |
|---|----------------------------|------------------|-----|-----|
| 0 | SELECT STATEMENT           |                  |     |     |
| 1 | PARTITION REFERENCE SINGLE |                  | KEY | KEY |
| 2 | TABLE ACCESS FULL          | TEXTDOC_NT       | KEY | KEY |
| 3 | PARTITION RANGE ALL        |                  | 1   | 2   |
| 4 | TABLE ACCESS FULL          | PRINT_MEDIA_PART | 1   | 2   |

Note

- dynamic sampling used for this statement

## Partition-Wise Joins

Partition-wise joins reduce query response time by minimizing the amount of data exchanged among parallel execution servers when joins execute in parallel. This significantly reduces response time and improves the use of both CPU and memory resources. In Oracle Real Application Clusters (Oracle RAC) environments, partition-wise joins also avoid or at least limit the data traffic over the interconnect, which is the key to achieving good scalability for massive join operations.

Partition-wise joins can be full or partial. Oracle Database decides which type of join to use.

## Full Partition-Wise Joins

A full partition-wise join divides a large join into smaller joins between a pair of partitions from the two joined tables. To use this feature, you must equipartition both tables on their join keys, or use reference partitioning. For example, consider a large join between a sales table and a customer table on the column `cust_id`. The query "find the records of all customers who bought more than 100 articles in Quarter 3 of 1999" is a typical example of a SQL statement performing such a join. The following is an example of this:

### **Example 3-2 Querying with a full partition-wise join**

```
SELECT c.cust_last_name, COUNT(*)
  FROM sales s, customers c
 WHERE s.cust_id = c.cust_id AND
        s.time_id BETWEEN TO_DATE('01-JUL-1999', 'DD-MON-YYYY') AND
        (TO_DATE('01-OCT-1999', 'DD-MON-YYYY'))
 GROUP BY c.cust_last_name HAVING COUNT(*) > 100;
```

Such a large join is typical in data warehousing environments. In this case, the entire customer table is joined with one quarter of the sales data. In large data warehouse applications, this might mean joining millions of rows. The join method to use in that case is obviously a hash join. You can reduce the processing time for this hash join even more if both tables are equipartitioned on the `cust_id` column. This functionality enables a full partition-wise join.

When you execute a full partition-wise join in parallel, the granule of parallelism is a partition. Consequently, the degree of parallelism is limited to the number of partitions. For example, you require at least 16 partitions to set the degree of parallelism of the query to 16.

You can use various partitioning methods to equipartition both tables. These methods are described at a high level in the following subsections.

### Full Partition-Wise Joins: Single-Level - Single-Level

This is the simplest method: two tables are both partitioned by the join column. In the example, the `customers` and `sales` tables are both partitioned on the `cust_id` columns. This partitioning method enables full partition-wise joins when the tables are joined on `cust_id`, both representing the same customer identification number. This scenario is available for range-range, list-list, and hash-hash partitioning. Interval-range and interval-interval full partition-wise joins are also supported and can be compared to range-range.

In serial, this join is performed between pairs of matching hash partitions, one at a time. When one partition pair has been joined, the join of another partition pair begins. The join completes when all partition pairs have been processed. To ensure a good workload distribution, you should either have many more partitions than the requested degree of parallelism or use equisize partitions with as many partitions as the requested degree of parallelism. Using hash partitioning on a unique or almost-unique column, with the number of partitions equal to a power of 2, is a good way to create equisized partitions.

---



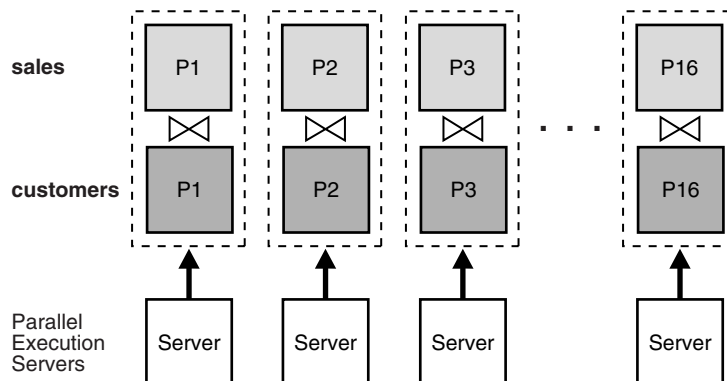
---

**Note:**

- A pair of matching hash partitions is defined as one partition with the same partition number from each table. For example, with full partition-wise joins based on hash partitioning, the database joins partition 0 of `sales` with partition 0 of `customers`, partition 1 of `sales` with partition 1 of `customers`, and so on.
  - Reference partitioning is an easy way to co-partition two tables so that the optimizer can always consider a full partition-wise join if the tables are joined in a statement.
- 
- 

Parallel execution of a full partition-wise join is a straightforward parallelization of the serial execution. Instead of joining one partition pair at a time, partition pairs are joined in parallel by the query servers. [Figure 3-1](#) illustrates the parallel execution of a full partition-wise join.

**Figure 3-1 Parallel Execution of a Full Partition-wise Join**



The following example shows the execution plan for `sales` and `customers` co-partitioned by hash with the same number of partitions. The plan shows a full partition-wise join.

```
explain plan for SELECT c.cust_last_name, COUNT(*)
FROM sales s, customers c
```

```

WHERE s.cust_id = c.cust_id AND
s.time_id BETWEEN TO_DATE('01-JUL-1999', 'DD-MON-YYYY') AND
(TO_DATE('01-OCT-1999', 'DD-MON-YYYY'))
GROUP BY c.cust_last_name HAVING COUNT(*) > 100;

```

| Id   | Operation             | Name      | Rows  | Bytes | Pstart | Pstop | TQ    | IN-OUT | PQ Distrib |
|------|-----------------------|-----------|-------|-------|--------|-------|-------|--------|------------|
| 0    | SELECT STATEMENT      |           | 46    | 1196  |        |       |       |        |            |
| 1    | PX COORDINATOR        |           |       |       |        |       |       |        |            |
| 2    | PX SEND QC (RANDOM)   | :TQ10001  | 46    | 1196  |        |       | Q1,01 | P->S   | QC (RAND)  |
| * 3  | FILTER                |           |       |       |        |       | Q1,01 | PCWC   |            |
| 4    | HASH GROUP BY         |           | 46    | 1196  |        |       | Q1,01 | PCWP   |            |
| 5    | PX RECEIVE            |           | 46    | 1196  |        |       | Q1,01 | PCWP   |            |
| 6    | PX SEND HASH          | :TQ10000  | 46    | 1196  |        |       | Q1,00 | P->P   | HASH       |
| 7    | HASH GROUP BY         |           | 46    | 1196  |        |       | Q1,00 | PCWP   |            |
| 8    | PX PARTITION HASH ALL |           | 59158 | 1502K | 1      | 16    | Q1,00 | PCWC   |            |
| * 9  | HASH JOIN             |           | 59158 | 1502K |        |       | Q1,00 | PCWP   |            |
| 10   | TABLE ACCESS FULL     | CUSTOMERS | 55500 | 704K  | 1      | 16    | Q1,00 | PCWP   |            |
| * 11 | TABLE ACCESS FULL     | SALES     | 59158 | 751K  | 1      | 16    | Q1,00 | PCWP   |            |

Predicate Information (identified by operation id):

```

3 - filter(COUNT(SYS_OP_CSR(SYS_OP_MSR(COUNT(*)),0))>100)
9 - access("S"."CUST_ID"="C"."CUST_ID")
11 - filter("S"."TIME_ID"<=TO_DATE(' 1999-10-01 00:00:00', 'syyyy-mm-dd hh24:mi:ss') AND
"S"."TIME_ID">=TO_DATE(' 1999-07-01
00:00:00', 'syyyy-mm-dd hh24:mi:ss'))

```

---

**Note:** The Cost (%CPU) and Time columns were removed from the plan table output in this example.

---

In Oracle Real Application Clusters environments running on MPP platforms, placing partitions on nodes is critical to achieving good scalability. To avoid remote I/O, both matching partitions should have affinity to the same node. Partition pairs should be spread over all nodes to avoid bottlenecks and to use all CPU resources available on the system.

Nodes can host multiple pairs when there are more pairs than nodes. For example, with an 8-node system and 16 partition pairs, each node receives two pairs.

**See Also:** *Oracle Real Application Clusters Administration and Deployment Guide* for more information about data affinity

### Full Partition-Wise Joins: Composite - Single-Level

This method is a variation of the single-level - single-level method. In this scenario, one table (typically the larger table) is composite partitioned on two dimensions, using the join columns as the subpartition key. In the example, the `sales` table is a typical example of a table storing historical data. Using range partitioning is a logical initial partitioning method for a table storing historical information.

For example, assume you want to partition the `sales` table into eight partitions by range on the column `time_id`. Also assume you have two years and that each partition represents a quarter. Instead of using range partitioning, you can use composite partitioning to enable a full partition-wise join while preserving the partitioning on `time_id`. For example, partition the `sales` table by range on `time_id` and then subpartition each partition by hash on `cust_id` using 16 subpartitions

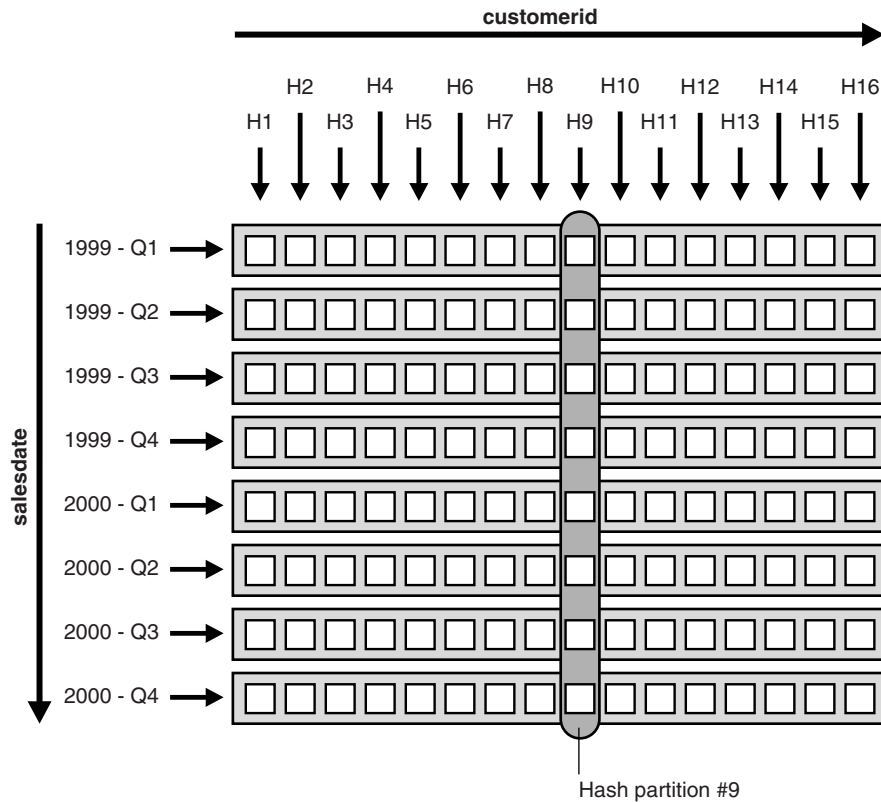
for each partition, for a total of 128 subpartitions. The `customers` table can use hash partitioning with 16 partitions.

When you use the method just described, a full partition-wise join works similarly to the one created by a single-level - single-level hash-hash method. The join is still divided into 16 smaller joins between hash partition pairs from both tables. The difference is that now each hash partition in the `sales` table is composed of a set of 8 subpartitions, one from each range partition.

**Figure 3–2** illustrates how the hash partitions are formed in the `sales` table. Each cell represents a subpartition. Each row corresponds to one range partition, for a total of 8 range partitions. Each range partition has 16 subpartitions. Each column corresponds to one hash partition for a total of 16 hash partitions; each hash partition has 8 subpartitions. Note that hash partitions can be defined only if all partitions have the same number of subpartitions, in this case, 16.

Hash partitions are implicit in a composite table. However, Oracle does not record them in the data dictionary, and you cannot manipulate them with DDL commands as you can range or list partitions.

**Figure 3–2 Range and Hash Partitions of a Composite Table**



The following example shows the execution plan for the full partition-wise join with the `sales` table range partitioned by `time_id`, and subpartitioned by hash on `cust_id`.

| Id | Operation        | Name | Pstart | Pstop | IN-OUT | PQ Distrib |
|----|------------------|------|--------|-------|--------|------------|
| 0  | SELECT STATEMENT |      |        |       |        |            |
| 1  | PX COORDINATOR   |      |        |       |        |            |

|      |                             |           |     |     |      |           |
|------|-----------------------------|-----------|-----|-----|------|-----------|
| 2    | PX SEND QC (RANDOM)         | :TQ10001  |     |     | P->S | QC (RAND) |
| * 3  | FILTER                      |           |     |     | PCWC |           |
| 4    | HASH GROUP BY               |           |     |     | PCWP |           |
| 5    | PX RECEIVE                  |           |     |     | PCWP |           |
| 6    | PX SEND HASH                | :TQ10000  |     |     | P->P | HASH      |
| 7    | HASH GROUP BY               |           |     |     | PCWP |           |
| 8    | PX PARTITION HASH ALL       |           | 1   | 16  | PCWC |           |
| * 9  | HASH JOIN                   |           |     |     | PCWP |           |
| 10   | TABLE ACCESS FULL           | CUSTOMERS | 1   | 16  | PCWP |           |
| 11   | PX PARTITION RANGE ITERATOR |           | 8   | 9   | PCWC |           |
| * 12 | TABLE ACCESS FULL           | SALES     | 113 | 144 | PCWP |           |

Predicate Information (identified by operation id):

```

3 - filter(COUNT(SYS_OP_CSR(SYS_OP_MSR(COUNT(*)),0))>100)
9 - access("S"."CUST_ID"="C"."CUST_ID")
12 - filter("S"."TIME_ID"<=TO_DATE(' 1999-10-01 00:00:00', 'syyy-mm-dd hh24:mi:ss') AND
"S"."TIME_ID">=TO_DATE(' 1999-07-01
00:00:00', 'syyy-mm-dd hh24:mi:ss'))

```

---

**Note:** The Rows, Cost (%CPU), Time, and TQ columns were removed from the plan table output in this example.

---

Composite - single-level partitioning is effective because it lets you combine pruning on one dimension with a full partition-wise join on another dimension. In the previous example query, pruning is achieved by scanning only the subpartitions corresponding to Q3 of 1999, in other words, row number 3 in [Figure 3-2](#). Oracle then joins these subpartitions with the customer table, using a full partition-wise join.

All characteristics of the single-level - single-level partition-wise join apply to the composite - single-level partition-wise join. In particular, for this example, these two points are common to both methods:

- The degree of parallelism for this full partition-wise join cannot exceed 16. Even though the `sales` table has 128 subpartitions, it has only 16 hash partitions.
- The rules for data placement on MPP systems apply here. The only difference is that a subpartition is now a collection of subpartitions. You must ensure that all these subpartitions are placed on the same node as the matching hash partition from the other table. For example, in [Figure 3-2](#), store hash partition 9 of the `sales` table shown by the eight circled subpartitions, on the same node as hash partition 9 of the `customers` table.

### Full Partition-Wise Joins: Composite - Composite

If needed, you can also partition the `customers` table by the composite method. For example, you partition it by range on a postal code column to enable pruning based on postal codes. You then subpartition it by hash on `cust_id` using the same number of partitions (16) to enable a partition-wise join on the hash dimension.

You can get full partition-wise joins on all combinations of partition and subpartition partitions: partition - partition, partition - subpartition, subpartition - partition, and subpartition - subpartition.

## Partial Partition-Wise Joins

Oracle Database can perform partial partition-wise joins only in parallel. Unlike full partition-wise joins, partial partition-wise joins require you to partition only one table on the join key, not both tables. The partitioned table is referred to as the reference table. The other table may or may not be partitioned. Partial partition-wise joins are more common than full partition-wise joins.

To execute a partial partition-wise join, the database dynamically repartitions the other table based on the partitioning of the reference table. After the other table is repartitioned, the execution is similar to a full partition-wise join.

The performance advantage that partial partition-wise joins have over joins in nonpartitioned tables is that the reference table is not moved during the join operation. Parallel joins between nonpartitioned tables require both input tables to be redistributed on the join key. This redistribution operation involves exchanging rows between parallel execution servers. This is a CPU-intensive operation that can lead to excessive interconnect traffic in Oracle Real Application Clusters environments. Partitioning large tables on a join key, either a foreign or primary key, prevents this redistribution every time the table is joined on that key. Of course, if you choose a foreign key to partition the table, which is the most common scenario, select a foreign key that is involved in many queries.

To illustrate partial partition-wise joins, consider the previous `sales/customers` example. Assume that `customers` is not partitioned or is partitioned on a column other than `cust_id`. Because `sales` is often joined with `customers` on `cust_id`, and because this join dominates our application workload, partition `sales` on `cust_id` to enable partial partition-wise joins every time `customers` and `sales` are joined. As with full partition-wise joins, you have several alternatives:

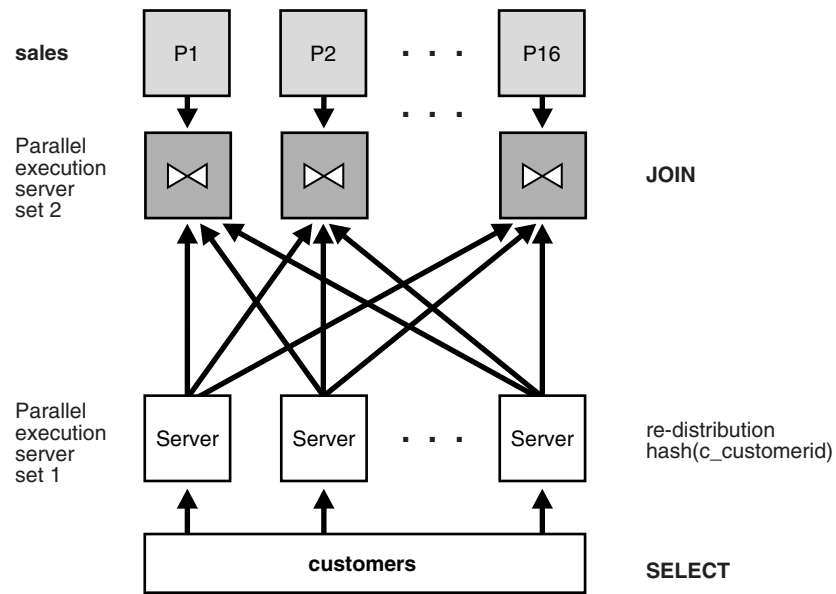
### Partial Partition-Wise Joins: Single-Level Partitioning

The simplest method to enable a partial partition-wise join is to partition `sales` by hash on `cust_id`. The number of partitions determines the maximum degree of parallelism, because the partition is the smallest granule of parallelism for partial partition-wise join operations.

The parallel execution of a partial partition-wise join is illustrated in [Figure 3-3](#), which assumes that both the degree of parallelism and the number of partitions of `sales` are 16. The execution involves two sets of query servers: one set, labeled *set 1* in [Figure 3-3](#), scans the `customers` table in parallel. The granule of parallelism for the scan operation is a range of blocks.

Rows from `customers` that are selected by the first set, in this case all rows, are redistributed to the second set of query servers by hashing `cust_id`. For example, all rows in `customers` that could have matching rows in partition P1 of `sales` are sent to query server 1 in the second set. Rows received by the second set of query servers are joined with the rows from the corresponding partitions in `sales`. Query server number 1 in the second set joins all `customers` rows that it receives with partition P1 of `sales`.

**Figure 3-3 Partial Partition-Wise Join**



The example below shows the execution plan for the partial partition-wise join between sales and customers.

| Id   | Operation                     | Name      | Pstart  | Pstop   | IN-OUT | PQ Distrib |
|------|-------------------------------|-----------|---------|---------|--------|------------|
| 0    | SELECT STATEMENT              |           |         |         |        |            |
| 1    | PX COORDINATOR                |           |         |         |        |            |
| 2    | PX SEND QC (RANDOM)           | :TQ10002  |         |         | P->S   | QC (RAND)  |
| * 3  | FILTER                        |           |         |         | PCWC   |            |
| 4    | HASH GROUP BY                 |           |         |         | PCWP   |            |
| 5    | PX RECEIVE                    |           |         |         | PCWP   |            |
| 6    | PX SEND HASH                  | :TQ10001  |         |         | P->P   | HASH       |
| 7    | HASH GROUP BY                 |           |         |         | PCWP   |            |
| * 8  | HASH JOIN                     |           |         |         | PCWP   |            |
| 9    | PART JOIN FILTER CREATE       | :BF0000   |         |         | PCWP   |            |
| 10   | PX RECEIVE                    |           |         |         | PCWP   |            |
| 11   | PX SEND PARTITION (KEY)       | :TQ10000  |         |         | P->P   | PART (KEY) |
| 12   | PX BLOCK ITERATOR             |           |         |         | PCWC   |            |
| 13   | TABLE ACCESS FULL             | CUSTOMERS |         |         | PCWP   |            |
| 14   | PX PARTITION HASH JOIN-FILTER |           | :BF0000 | :BF0000 | PCWC   |            |
| * 15 | TABLE ACCESS FULL             | SALES     | :BF0000 | :BF0000 | PCWP   |            |

Predicate Information (identified by operation id):

```

3 - filter(COUNT(SYS_OP_CSR(SYS_OP_MSR(COUNT(*)),0))>100)
8 - access("S"."CUST_ID"="C"."CUST_ID")
15 - filter("S"."TIME_ID"<=TO_DATE(' 1999-10-01 00:00:00', 'yyyy-mm-dd hh24:mi:ss') AND
"S"."TIME_ID">=TO_DATE(' 1999-07-01
00:00:00', 'yyyy-mm-dd hh24:mi:ss'))
    
```

Note that the query runs in parallel, as you can see in the plan because there are PX row sources. One table is partitioned, which is the SALES table. You can determine this because the PX PARTITION HASH row source contains a nonpartitioned table

CUSTOMERS that is distributed through PX SEND PARTITION to a different slave set that performs the join.

---



---

**Note:** The Rows, Cost (%CPU), Time, and TQ columns were removed from the plan table output in this example.

---



---



---



---

**Note:** This section is based on hash partitioning, but it also applies for range, list, and interval partial partition-wise joins.

---



---

Considerations for full partition-wise joins also apply to partial partition-wise joins:

- The degree of parallelism does not need to equal the number of partitions. In [Figure 3–3](#), the query executes with two sets of 16 query servers. In this case, Oracle assigns 1 partition to each query server of the second set. Again, the number of partitions should always be a multiple of the degree of parallelism.
- In Oracle Real Application Clusters environments on shared-nothing platforms (MPPs), each hash partition of sales should preferably have affinity to only one node to avoid remote I/Os. Also, spread partitions over all nodes to avoid bottlenecks and use all CPU resources available on the system. A node can host multiple partitions when there are more partitions than nodes.

**See Also:** *Oracle Real Application Clusters Administration and Deployment Guide* for more information about data affinity

### Partial Partition-Wise Joins: Composite

As with full partition-wise joins, the prime partitioning method for the sales table is to use the range method on column time\_id. This is because sales is a typical example of a table that stores historical data. To enable a partial partition-wise join while preserving this range partitioning, subpartition sales by hash on column cust\_id using 16 subpartitions for each partition. Both pruning and partial partition-wise joins can be used if a query joins customers and sales and if the query has a selection predicate on time\_id.

When the sales table is composite partitioned, the granule of parallelism for a partial partition-wise join is a hash partition and not a subpartition. Refer to [Figure 3–2](#) for an illustration of a hash partition in a composite table. Again, the number of hash partitions should be a multiple of the degree of parallelism. Also, on an MPP system, ensure that each hash partition has affinity to a single node. In the previous example, the eight subpartitions composing a hash partition should have affinity to the same node.

---



---

**Note:** This section is based on range-hash, but it also applies for all other combinations of composite partial partition-wise joins.

---



---

The following example shows the execution plan for the query between sales and customers with sales range partitioned by time\_id and subpartitioned by hash on cust\_id.

```

-----
| Id | Operation                                | Name          | Pstart | Pstop | IN-OUT | PQ Distrib |
-----
|  0 | SELECT STATEMENT                          |               |        |        |        |            |
  
```



|      |                             |           |     |     |      |            |  |
|------|-----------------------------|-----------|-----|-----|------|------------|--|
| 1    | PX COORDINATOR              |           |     |     |      |            |  |
| 2    | PX SEND QC (RANDOM)         | :TQ10002  |     |     | P->S | QC (RAND)  |  |
| * 3  | FILTER                      |           |     |     | PCWC |            |  |
| 4    | HASH GROUP BY               |           |     |     | PCWP |            |  |
| 5    | PX RECEIVE                  |           |     |     | PCWP |            |  |
| 6    | PX SEND HASH                | :TQ10001  |     |     | P->P | HASH       |  |
| 7    | HASH GROUP BY               |           |     |     | PCWP |            |  |
| * 8  | HASH JOIN                   |           |     |     | PCWP |            |  |
| 9    | PART JOIN FILTER CREATE     | :BF0000   |     |     | PCWP |            |  |
| 10   | PX RECEIVE                  |           |     |     | PCWP |            |  |
| 11   | PX SEND PARTITION (KEY)     | :TQ10000  |     |     | P->P | PART (KEY) |  |
| 12   | PX BLOCK ITERATOR           |           |     |     | PCWC |            |  |
| 13   | TABLE ACCESS FULL           | CUSTOMERS |     |     | PCWP |            |  |
| 14   | PX PARTITION RANGE ITERATOR |           | 8   | 9   | PCWC |            |  |
| 15   | PX PARTITION HASH ALL       |           | 1   | 16  | PCWC |            |  |
| * 16 | TABLE ACCESS FULL           | SALES     | 113 | 144 | PCWP |            |  |

Predicate Information (identified by operation id):

```

3 - filter(COUNT(SYS_OP_CSR(SYS_OP_MSR(COUNT(*)),0))>100)
8 - access("S"."CUST_ID"="C"."CUST_ID")
16 - filter("S"."TIME_ID"<=TO_DATE(' 1999-10-01 00:00:00', 'syyy-mm-dd hh24:mi:ss') AND
"S"."TIME_ID">=TO_DATE(' 1999-07-01
00:00:00', 'syyy-mm-dd hh24:mi:ss'))

```

---

**Note:** The Rows, Cost (%CPU), Time, and TQ columns were removed from the plan table output in this example.

---

## Index Partitioning

The rules for partitioning indexes are similar to those for tables:

- An index can be partitioned unless:
  - The index is a cluster index.
  - The index is defined on a clustered table.
- You can mix partitioned and nonpartitioned indexes with partitioned and nonpartitioned tables:
  - A partitioned table can have partitioned or nonpartitioned indexes.
  - A nonpartitioned table can have partitioned or nonpartitioned indexes.
- Bitmap indexes on nonpartitioned tables cannot be partitioned.
- A bitmap index on a partitioned table must be a local index.

However, partitioned indexes are more complicated than partitioned tables because there are three types of partitioned indexes:

- Local prefixed
- Local nonprefixed
- Global prefixed

Oracle Database supports all three types. However, there are some restrictions. For example, a key cannot be an expression when creating a local unique index on a partitioned table.

This section discusses the following topics:

- [Local Partitioned Indexes](#)
- [Global Partitioned Indexes](#)
- [Summary of Partitioned Index Types](#)
- [The Importance of Nonprefixed Indexes](#)
- [Performance Implications of Prefixed and Nonprefixed Indexes](#)
- [Guidelines for Partitioning Indexes](#)
- [Physical Attributes of Index Partitions](#)

## Local Partitioned Indexes

In a local index, all keys in a particular index partition refer only to rows stored in a single underlying table partition. A local index is created by specifying the `LOCAL` attribute.

Oracle constructs the local index so that it is equipartitioned with the underlying table. Oracle partitions the index on the same columns as the underlying table, creates the same number of partitions or subpartitions, and gives them the same partition bounds as corresponding partitions of the underlying table.

Oracle also maintains the index partitioning automatically when partitions in the underlying table are added, dropped, merged, or split, or when hash partitions or subpartitions are added or coalesced. This ensures that the index remains equipartitioned with the table.

A local index can be created `UNIQUE` if the partitioning columns form a subset of the index columns. This restriction guarantees that rows with identical index keys always map into the same partition, where uniqueness violations can be detected.

Local indexes have the following advantages:

- Only one index partition must be rebuilt when a maintenance operation other than `SPLIT PARTITION` or `ADD PARTITION` is performed on an underlying table partition.
- The duration of a partition maintenance operation remains proportional to partition size if the partitioned table has only local indexes.
- Local indexes support partition independence.
- Local indexes support smooth roll-out of old data and roll-in of new data in historical tables.
- Oracle can take advantage of the fact that a local index is equipartitioned with the underlying table to generate better query access plans.
- Local indexes simplify the task of tablespace incomplete recovery. To recover a partition or subpartition of a table to a point in time, you must also recover the corresponding index entries to the same point in time. The only way to accomplish this is with a local index. Then you can recover the corresponding table and index partitions or subpartitions.

**See Also:** *Oracle Database PL/SQL Packages and Types Reference* for a description of the DBMS\_PCLXUTIL package

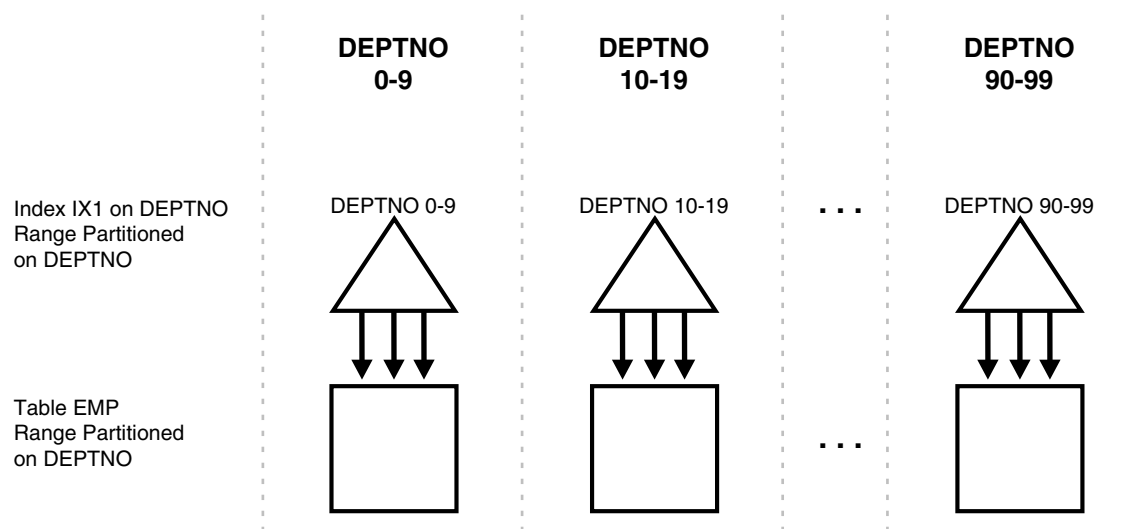
### Local Prefixed Indexes

A local index is prefixed if it is partitioned on a left prefix of the index columns and the subpartitioning key is included in the index key. For example, if the `sales` table and its local index `sales_ix` are partitioned on the `week_num` column, then index `sales_ix` is local prefixed if it is defined on the columns (`week_num`, `xaction_num`). On the other hand, if index `sales_ix` is defined on column `product_num` then it is not prefixed.

Local prefixed indexes can be unique or nonunique.

Figure 3–4 illustrates another example of a local prefixed index.

**Figure 3–4 Local Prefixed Index**

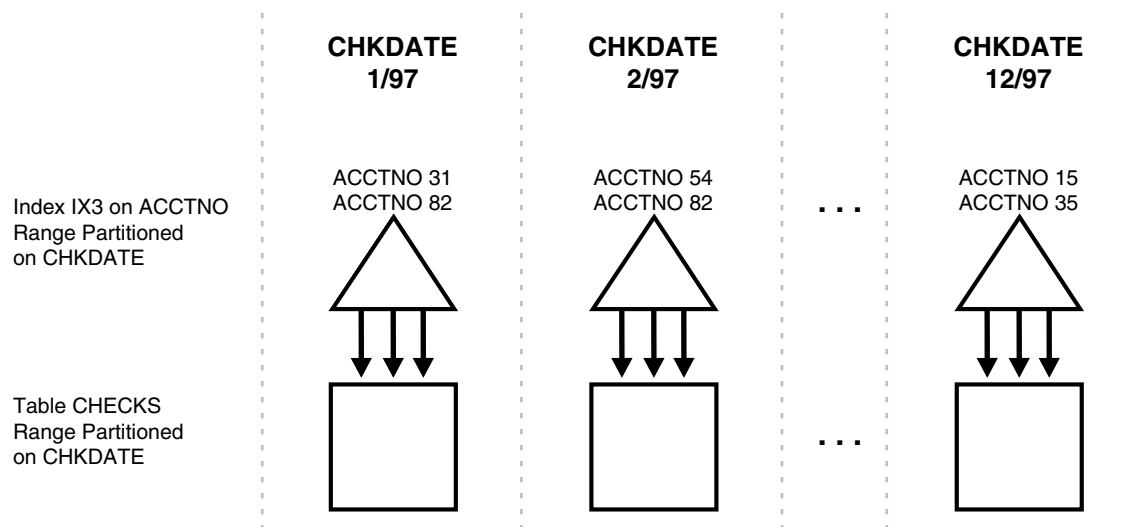


### Local Nonprefixed Indexes

A local index is nonprefixed if it is not partitioned on a left prefix of the index columns or if the index key does not include the subpartitioning key.

You cannot have a unique local nonprefixed index unless the partitioning key is a subset of the index key.

Figure 3–5 illustrates an example of a local nonprefixed index.

**Figure 3–5 Local Nonprefixed Index**

## Global Partitioned Indexes

In a global partitioned index, the keys in a particular index partition may refer to rows stored in multiple underlying table partitions or subpartitions. A global index can be range or hash partitioned, though it can be defined on any type of partitioned table.

A global index is created by specifying the `GLOBAL` attribute. The database administrator is responsible for defining the initial partitioning of a global index at creation and for maintaining the partitioning over time. Index partitions can be merged or split as necessary.

Normally, a global index is not equipartitioned with the underlying table. There is nothing to prevent an index from being equipartitioned with the underlying table, but Oracle does not take advantage of the equipartitioning when generating query plans or executing partition maintenance operations. So an index that is equipartitioned with the underlying table should be created as `LOCAL`.

A global partitioned index contains a single B-tree with entries for all rows in all partitions. Each index partition may contain keys that refer to many different partitions or subpartitions in the table.

The highest partition of a global index must have a partition bound all of whose values are `MAXVALUE`. This insures that all rows in the underlying table can be represented in the index.

### Prefixed and Nonprefixed Global Partitioned Indexes

A global partitioned index is prefixed if it is partitioned on a left prefix of the index columns. See [Figure 3–6](#) for an example. A global partitioned index is nonprefixed if it is not partitioned on a left prefix of the index columns. Oracle does not support global nonprefixed partitioned indexes.

Global prefixed partitioned indexes can be unique or nonunique.

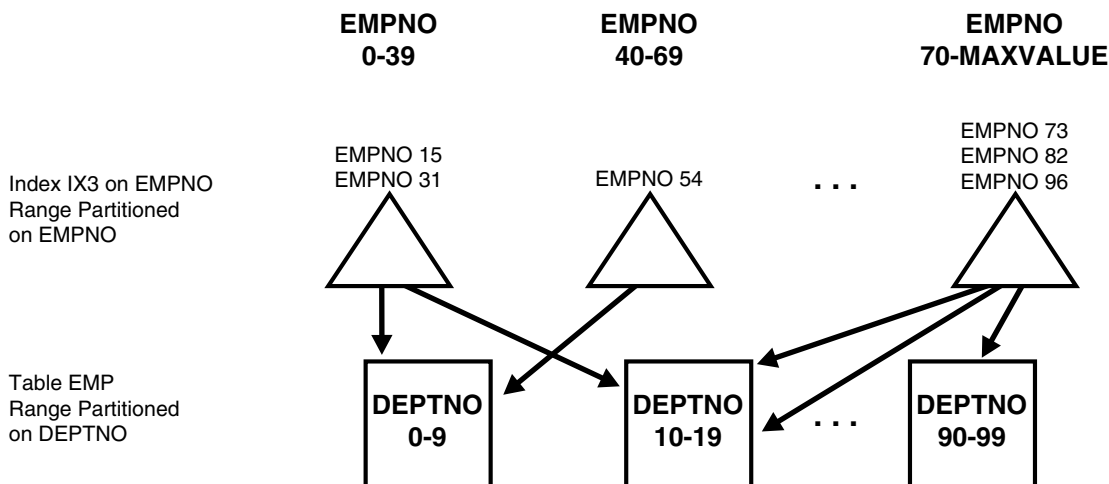
Nonpartitioned indexes are treated as global prefixed nonpartitioned indexes.

### Management of Global Partitioned Indexes

Global partitioned indexes are harder to manage than local indexes:

- When the data in an underlying table partition is moved or removed (SPLIT, MOVE, DROP, or TRUNCATE), all partitions of a global index are affected. Consequently global indexes do not support partition independence.
- When an underlying table partition or subpartition is recovered to a point in time, all corresponding entries in a global index must be recovered to the same point in time. Because these entries may be scattered across all partitions or subpartitions of the index, mixed in with entries for other partitions or subpartitions that are not being recovered, there is no way to accomplish this except by re-creating the entire global index.

Figure 3–6 Global Prefixed Partitioned Index



### Summary of Partitioned Index Types

Table 3–1 summarizes the types of partitioned indexes that Oracle supports. The key points are:

- If an index is local, it is equipartitioned with the underlying table. Otherwise, it is global.
- A prefixed index is partitioned on a left prefix of the index columns. Otherwise, it is nonprefixed.

Table 3–1 Types of Partitioned Indexes

| Type of Index                               | Index Equipartitioned with Table | Index Partitioned on Left Prefix of Index Columns | UNIQUE Attribute Allowed | Example: Table Partitioning Key | Example: Index Columns | Example: Index Partitioning Key |
|---|----------------------------------|---|--------------------------|---------------------------------|------------------------|---------------------------------|
| Local Prefixed (any partitioning method)    | Yes                              | Yes   | Yes                      | A                               | A, B                   | A                               |
| Local Nonprefixed (any partitioning method) | Yes                              | No  | Yes <sup>1</sup>         | A                               | B, A                   | A                               |
| Global Prefixed (range partitioning only)   | No <sup>2</sup>                  | Yes   | Yes                      | A                               | B                      | B                               |

<sup>1</sup> For a unique local nonprefixed index, the partitioning key must be a subset of the index key.

<sup>2</sup> Although a global partitioned index may be equipartitioned with the underlying table, Oracle does not take advantage of the partitioning or maintain equipartitioning after partition maintenance operations such as DROP or SPLIT PARTITION.

## The Importance of Nonprefixed Indexes

Nonprefixed indexes are particularly useful in historical databases. In a table containing historical data, it is common for an index to be defined on one column to support the requirements of fast access by that column, but partitioned on another column (the same column as the underlying table) to support the time interval for rolling out old data and rolling in new data.

Consider a `sales` table partitioned by week. It contains a year's worth of data, divided into 13 partitions. It is range partitioned on `week_no`, four weeks to a partition. You might create a nonprefixed local index `sales_ix` on `sales`. The `sales_ix` index is defined on `acct_no` because there are queries that need fast access to the data by account number. However, it is partitioned on `week_no` to match the `sales` table. Every four weeks, the oldest partitions of `sales` and `sales_ix` are dropped and new ones are added.

## Performance Implications of Prefixed and Nonprefixed Indexes

It is more expensive to probe into a nonprefixed index than to probe into a prefixed index.

If an index is prefixed (either local or global) and Oracle is presented with a predicate involving the index columns, then partition pruning can restrict application of the predicate to a subset of the index partitions.

For example, in [Figure 3-4](#) on page 3-21, if the predicate is `deptno=15`, the optimizer knows to apply the predicate only to the second partition of the index. (If the predicate involves a bind variable, the optimizer does not know exactly which partition but it may still know there is only one partition involved, in which case at run time, only one index partition is accessed.)

When an index is nonprefixed, Oracle often has to apply a predicate involving the index columns to all *N* index partitions. This is required to look up a single key, or to do an index range scan. For a range scan, Oracle must also combine information from *N* index partitions. For example, in [Figure 3-5](#) on page 3-22, a local index is partitioned on `chkdate` with an index key on `acctno`. If the predicate is `acctno=31`, Oracle probes all 12 index partitions.

Of course, if there is also a predicate on the partitioning columns, then multiple index probes might not be necessary. Oracle takes advantage of the fact that a local index is equipartitioned with the underlying table to prune partitions based on the partition key. For example, if the predicate in [Figure 3-4](#) on page 3-21 is `chkdate<3/97`, Oracle only has to probe two partitions.

So for a nonprefixed index, if the partition key is a part of the `WHERE` clause but not of the index key, then the optimizer determines which index partitions to probe based on the underlying table partition.

When many queries and DML statements using keys of local, nonprefixed, indexes have to probe all index partitions, this effectively reduces the degree of partition independence provided by such indexes.

**Table 3-2 Comparing Prefixed Local, Nonprefixed Local, and Global Indexes**

| Index Characteristics | Prefixed Local | Nonprefixed Local | Global  |
|-----------------------|----------------|-------------------|---|
| Unique possible?      | Yes            | Yes               | Yes. Must be global if using indexes on columns other than the partitioning columns |

**Table 3–2 (Cont.) Comparing Prefixed Local, Nonprefixed Local, and Global Indexes**

| Index Characteristics | Prefixed Local | Nonprefixed Local | Global           |
|-----------------------|----------------|-------------------|------------------|
| Manageability         | Easy to manage | Easy to manage    | Harder to manage |
| OLTP                  | Good           | Bad               | Good             |
| Long Running (DSS)    | Good           | Good              | Not Good         |

## Guidelines for Partitioning Indexes

When deciding how to partition indexes on a table, consider the mix of applications that must access the table. There is a trade-off between performance on the one hand and availability and manageability on the other. Here are some guidelines you should consider:

- For OLTP applications:
  - Global indexes and local prefixed indexes provide better performance than local nonprefixed indexes because they minimize the number of index partition probes.
  - Local indexes support more availability when there are partition or subpartition maintenance operations on the table. Local nonprefixed indexes are very useful for historical databases.
- For DSS applications, local nonprefixed indexes can improve performance because many index partitions can be scanned in parallel by range queries on the index key.

For example, a query using the predicate "acctno between 40 and 45" on the table checks of [Figure 3–4](#) on page 3-21 causes parallel scans of all the partitions of the nonprefixed index ix3. On the other hand, a query using the predicate deptno BETWEEN 40 AND 45 on the table deptno of [Figure 3–5](#) on page 3-22 cannot be parallelized because it accesses a single partition of the prefixed index ix1.

- For historical tables, indexes should be local if possible. This limits the impact of regularly scheduled drop partition operations.
- Unique indexes on columns other than the partitioning columns must be global because unique local nonprefixed indexes whose key does not contain the partitioning key are not supported.
- Unusable indexes do not consume space. See *Oracle Database Administrator's Guide* for more information.

## Physical Attributes of Index Partitions

Default physical attributes are initially specified when a CREATE INDEX statement creates a partitioned index. Because there is no segment corresponding to the partitioned index itself, these attributes are only used in derivation of physical attributes of member partitions. Default physical attributes can later be modified using ALTER INDEX MODIFY DEFAULT ATTRIBUTES.

Physical attributes of partitions created by CREATE INDEX are determined as follows:

- Values of physical attributes specified (explicitly or by default) for the index are used whenever the value of a corresponding partition attribute is not specified. Handling of the TABLESPACE attribute of partitions of a LOCAL index constitutes an important exception to this rule in that without a user-specified TABLESPACE

value (at both partition and index levels), that of the corresponding partition of the underlying table is used.

- Physical attributes (other than `TABLESPACE`, as explained in the preceding) of partitions of local indexes created during processing `ALTER TABLE ADD PARTITION` are set to the default physical attributes of each index.

Physical attributes (other than `TABLESPACE`) of index partitions created by `ALTER TABLE SPLIT PARTITION` are determined as follows:

- Values of physical attributes of the index partition being split are used.

Physical attributes of an existing index partition can be modified by `ALTER INDEX MODIFY PARTITION` and `ALTER INDEX REBUILD PARTITION`. Resulting attributes are determined as follows:

- Values of physical attributes of the partition before the statement was issued are used whenever a new value is not specified. Note that `ALTER INDEX REBUILD PARTITION` can change the tablespace in which a partition resides.

Physical attributes of global index partitions created by `ALTER INDEX SPLIT PARTITION` are determined as follows:

- Values of physical attributes of the partition being split are used whenever a new value is not specified.
- Physical attributes of all partitions of an index (along with default values) may be modified by `ALTER INDEX`, for example, `ALTER INDEX indexname NOLOGGING` changes the logging mode of all partitions of `indexname` to `NOLOGGING`.

For more detailed examples of adding partitions and examples of rebuilding indexes, refer to [Chapter 4, "Partition Administration"](#).

## Partitioning and Table Compression

You can compress several partitions or a complete partitioned heap-organized table. You do this by either defining a complete partitioned table as being compressed, or by defining it on a per-partition level. Partitions without a specific declaration inherit the attribute from the table definition or, if nothing is specified on table level, from the tablespace definition.

To decide whether a partition should be compressed or stay uncompressed adheres to the same rules as a nonpartitioned table. However, due to the capability of range and composite partitioning to separate data logically into distinct partitions, such a partitioned table is an ideal candidate for compressing parts of the data (partitions) that are mainly read-only. It is, for example, beneficial in all rolling window operations as a kind of intermediate stage before aging out old data. With data segment compression, you can keep more old data online, minimizing the burden of additional storage consumption.

You can also change any existing uncompressed table partition later on, add new compressed and uncompressed partitions, or change the compression attribute as part of any partition maintenance operation that requires data movement, such as `MERGE PARTITION`, `SPLIT PARTITION`, or `MOVE PARTITION`. The partitions can contain data or can be empty.

The access and maintenance of a partially or fully compressed partitioned table are the same as for a fully uncompressed partitioned table. Everything that applies to fully uncompressed partitioned tables is also valid for partially or fully compressed partitioned tables.



**See Also:**

- *Oracle Database Data Warehousing Guide* for a generic discussion of table compression
- *Oracle Database Administrator's Guide* for more detailed information
- *Oracle Database Performance Tuning Guide* for an example of calculating the compression ratio

**Table Compression and Bitmap Indexes**

To use table compression on partitioned tables with bitmap indexes, you must do the following before you introduce the compression attribute for the first time:

1. Mark bitmap indexes unusable.
2. Set the compression attribute.
3. Rebuild the indexes.

The first time you make a compressed partition part of an existing, fully uncompressed partitioned table, you must either drop all existing bitmap indexes or mark them UNUSABLE before adding a compressed partition. This must be done irrespective of whether any partition contains any data. It is also independent of the operation that causes one or more compressed partitions to become part of the table. This does not apply to a partitioned table having B-tree indexes only.

This rebuilding of the bitmap index structures is necessary to accommodate the potentially higher number of rows stored for each data block with table compression enabled and must be done only for the first time. All subsequent operations, whether they affect compressed or uncompressed partitions, or change the compression attribute, behave identically for uncompressed, partially compressed, or fully compressed partitioned tables.

To avoid the recreation of any bitmap index structure, Oracle recommends creating every partitioned table with at least one compressed partition whenever you plan to partially or fully compress the partitioned table in the future. This compressed partition can stay empty or even can be dropped after the partition table creation.

Having a partitioned table with compressed partitions can lead to slightly larger bitmap index structures for the uncompressed partitions. The bitmap index structures for the compressed partitions, however, are usually smaller than the appropriate bitmap index structure before table compression. This highly depends on the achieved compression rates.

---



---

**Note:** Oracle Database raises an error if compression is introduced to an object for the first time and there are usable bitmap index segments.

---



---

**Example of Table Compression and Partitioning**

The following statement moves and compresses an existing partition `sales_q1_1998` of table `sales`:

```
ALTER TABLE sales
  MOVE PARTITION sales_q1_1998 TABLESPACE ts_arch_q1_1998 COMPRESS;
```

If you use the `MOVE` statement, the local indexes for partition `sales_q1_1998` become unusable. You must rebuild them afterward, as follows:

```
ALTER TABLE sales
  MODIFY PARTITION sales_q1_1998 REBUILD UNUSABLE LOCAL INDEXES;
```

You can also include the `UPDATE INDEXES` clause in the `MOVE` statement in order for the entire operation to be completed automatically without any negative impact on users accessing the table.

The following statement merges two existing partitions into a new, compressed partition, residing in a separate tablespace. The local bitmap indexes have to be rebuilt afterward, as in the following:

```
ALTER TABLE sales MERGE PARTITIONS sales_q1_1998, sales_q2_1998
  INTO PARTITION sales_1_1998 TABLESPACE ts_arch_1_1998
  COMPRESS FOR OLTP UPDATE INDEXES;
```

For more details and examples for partition management operations, refer to [Chapter 4, "Partition Administration"](#).

**See Also:**

- *Oracle Database Performance Tuning Guide* for details regarding how to estimate the compression ratio when using table compression
- *Oracle Database SQL Language Reference* for the SQL syntax

## Recommendations for Choosing a Partitioning Strategy

The following sections provide recommendations for choosing a partitioning strategy:

- [When to Use Range or Interval Partitioning](#)
- [When to Use Hash Partitioning](#)
- [When to Use List Partitioning](#)
- [When to Use Composite Partitioning](#)
- [When to Use Interval Partitioning](#)
- [When to Use Reference Partitioning](#)
- [When to Partition on Virtual Columns](#)
- [Considerations When Using Read-Only Tablespaces](#)

### When to Use Range or Interval Partitioning

Range partitioning is a convenient method for partitioning historical data. The boundaries of range partitions define the ordering of the partitions in the tables or indexes.

Interval partitioning is an extension to range partitioning in which, beyond a point in time, partitions are defined by an interval. Interval partitions are automatically created by the database when data is inserted into the partition.

Range or interval partitioning is often used to organize data by time intervals on a column of type `DATE`. Thus, most SQL statements accessing range partitions focus on timeframes. An example of this is a SQL statement similar to "select data from a particular period in time." In such a scenario, if each partition represents data for one month, the query "find data of month 06-DEC" must access only the December

partition of year 2006. This reduces the amount of data scanned to a fraction of the total data available, an optimization method called partition pruning.

Range partitioning is also ideal when you periodically load new data and purge old data, because it is easy to add or drop partitions.

It is common to keep a rolling window of data, for example keeping the past 36 months' worth of data online. Range partitioning simplifies this process. To add data from a new month, you load it into a separate table, clean it, index it, and then add it to the range-partitioned table using the `EXCHANGE PARTITION` statement, all while the original table remains online. After you add the new partition, you can drop the trailing month with the `DROP PARTITION` statement. The alternative to using the `DROP PARTITION` statement can be to archive the partition and make it read only, but this works only when your partitions are in separate tablespaces. You can also implement a rolling window data using inserts into the partitioned table.

Interval partitioning provides an easy way for interval partitions to be automatically created as data arrives. Interval partitions can also be used for all other partition maintenance operations. Refer to [Chapter 4, "Partition Administration"](#) for more information about the partition maintenance operations on interval partitions.

In conclusion, consider using range or interval partitioning when:

- Very large tables are frequently scanned by a range predicate on a good partitioning column, such as `ORDER_DATE` or `PURCHASE_DATE`. Partitioning the table on that column enables partition pruning.
- You want to maintain a rolling window of data.
- You cannot complete administrative operations, such as backup and restore, on large tables in an allotted time frame, but you can divide them into smaller logical pieces based on the partition range column.

The following example creates the table `salestable` for a period of two years, 2005 and 2006, and partitions it by range according to the column `s_salesdate` to separate the data into eight quarters, each corresponding to a partition. Future partitions are created automatically through the monthly interval definition. Interval partitions are created in the provided list of tablespaces in a round-robin manner. Analysis of sales figures by a short interval can take advantage of partition pruning. The sales table also supports a rolling window approach.

### **Example 3-3 Creating a table with range and interval partitioning**

```
CREATE TABLE salestable
  (s_productid NUMBER,
   s_saledate   DATE,
   s_custid    NUMBER,
   s_totalprice NUMBER)
PARTITION BY RANGE(s_saledate)
INTERVAL (NUMTOYMINTERVAL(1, 'MONTH')) STORE IN (tbs1,tbs2,tbs3,tbs4)
(PARTITION sal05q1 VALUES LESS THAN (TO_DATE('01-APR-2005', 'DD-MON-YYYY'))
 TABLESPACE tbs1,
 PARTITION sal05q2 VALUES LESS THAN (TO_DATE('01-JUL-2005', 'DD-MON-YYYY'))
 TABLESPACE tbs2,
 PARTITION sal05q3 VALUES LESS THAN (TO_DATE('01-OCT-2005', 'DD-MON-YYYY'))
 TABLESPACE tbs3,
 PARTITION sal05q4 VALUES LESS THAN (TO_DATE('01-JAN-2006', 'DD-MON-YYYY'))
 TABLESPACE tbs4,
 PARTITION sal06q1 VALUES LESS THAN (TO_DATE('01-APR-2006', 'DD-MON-YYYY'))
 TABLESPACE tbs1,
 PARTITION sal06q2 VALUES LESS THAN (TO_DATE('01-JUL-2006', 'DD-MON-YYYY'))
```

```

TABLESPACE tbs2,
PARTITION sal06q3 VALUES LESS THAN (TO_DATE('01-OCT-2006', 'DD-MON-YYYY'))
TABLESPACE tbs3,
PARTITION sal06q4 VALUES LESS THAN (TO_DATE('01-JAN-2007', 'DD-MON-YYYY'))
TABLESPACE tbs4);

```

## When to Use Hash Partitioning

There are times when it is not obvious into which partition data should reside, although the partitioning key can be identified. Rather than group similar data, there are times when it is desirable to distribute data such that it does not correspond to a business or a logical view of the data, as it does in range partitioning. With hash partitioning, a row is placed into a partition based on the result of passing the partitioning key into a hashing algorithm.

Using this approach, data is randomly distributed across the partitions rather than grouped. This is a good approach for some data, but may not be an effective way to manage historical data. However, hash partitions share some performance characteristics with range partitions. For example, partition pruning is limited to equality predicates. You can also use partition-wise joins, parallel index access, and parallel DML. See "[Partition-Wise Joins](#)" on page 3-11 for more information.

As a general rule, use hash partitioning for the following purposes:

- To enable partial or full parallel partition-wise joins with very likely equisized partitions.
- To distribute data evenly among the nodes of an MPP platform that uses Oracle Real Application Clusters. Consequently, you can minimize interconnect traffic when processing internode parallel statements.
- To use partition pruning and partition-wise joins according to a partitioning key that is mostly constrained by a distinct value or value list.
- To randomly distribute data to avoid I/O bottlenecks if you do not use a storage management technique that stripes and mirrors across all available devices.

For more information, refer to [Chapter 10, "Storage Management for VLDBs"](#).

---



---

**Note:** With hash partitioning, only equality or IN-list predicates are supported for partition pruning.

---



---

For optimal data distribution, the following requirements should be satisfied:

- Choose a column or combination of columns that is unique or almost unique.
- Create multiple partitions and subpartitions for each partition that is a power of two. For example, 2, 4, 8, 16, 32, 64, 128, and so on.

The following example creates four hash partitions for the table `sales_hash` using the column `s_productid` as the partitioning key. Parallel joins with the `products` table can take advantage of partial or full partition-wise joins. Queries accessing sales figures for only a single product or a list of products benefit from partition pruning.

### **Example 3-4** *Creating a table with hash partitioning*

```

CREATE TABLE sales_hash
(s_productid NUMBER,
s_saledate DATE,
s_custid NUMBER,

```

```

        s_totalprice NUMBER)
PARTITION BY HASH(s_productid)
( PARTITION p1 TABLESPACE tbs1
, PARTITION p2 TABLESPACE tbs2
, PARTITION p3 TABLESPACE tbs3
, PARTITION p4 TABLESPACE tbs4
);

```

If you do not explicitly specify partition names, but rather the number of hash partitions, then Oracle automatically generates internal names for the partitions. Also, you can use the `STORE IN` clause to assign hash partitions to tablespaces in a round-robin manner. For more examples, refer to [Chapter 4, "Partition Administration"](#).

**See Also:** *Oracle Database SQL Language Reference* for partitioning syntax

## When to Use List Partitioning

You should use list partitioning when you want to specifically map rows to partitions based on discrete values. For example, all the customers for states Oregon and Washington are stored in one partition and customers in other states are stored in different partitions. Account managers who analyze their accounts by region can take advantage of partition pruning.

### **Example 3–5** *Creating a table with list partitioning*

```

CREATE TABLE accounts
( id          NUMBER
, account_number NUMBER
, customer_id NUMBER
, branch_id   NUMBER
, region      VARCHAR(2)
, status      VARCHAR2(1)
)
PARTITION BY LIST (region)
( PARTITION p_northwest VALUES ('OR', 'WA')
, PARTITION p_southwest VALUES ('AZ', 'UT', 'NM')
, PARTITION p_northeast VALUES ('NY', 'VM', 'NJ')
, PARTITION p_southeast VALUES ('FL', 'GA')
, PARTITION p_northcentral VALUES ('SD', 'WI')
, PARTITION p_southcentral VALUES ('OK', 'TX')
);

```

Unlike range and hash partitioning, multi-column partition keys are not supported for list partitioning. If a table is partitioned by list, the partitioning key can only consist of a single column of the table.

## When to Use Composite Partitioning

Composite partitioning offers the benefits of partitioning on two dimensions. From a performance perspective you can take advantage of partition pruning on one or two dimensions depending on the SQL statement, and you can take advantage of the use of full or partial partition-wise joins on either dimension.

You can take advantage of parallel backup and recovery of a single table. Composite partitioning also increases the number of partitions significantly, which may be beneficial for efficient parallel execution. From a manageability perspective, you can implement a rolling window to support historical data and still partition on another

dimension if many statements can benefit from partition pruning or partition-wise joins.

You can split up backups of your tables and you can decide to store data differently based on identification by a partitioning key. For example, you may decide to store data for a specific product type in a read-only, compressed format, and keep other product type data uncompressed.

The database stores every subpartition in a composite partitioned table as a separate segment. Thus, the subpartitions may have properties that differ from the properties of the table or from the partition to which the subpartitions belong.

**See Also:** *Oracle Database SQL Language Reference* for details regarding syntax and restrictions

### When to Use Composite Range-Hash Partitioning

Composite range-hash partitioning is particularly common for tables that store history, are very large consequently, and are frequently joined with other large tables. For these types of tables (typical of data warehouse systems), composite range-hash partitioning provides the benefit of partition pruning at the range level with the opportunity to perform parallel full or partial partition-wise joins at the hash level. Specific cases can benefit from partition pruning on both dimensions for specific SQL statements.

Composite range-hash partitioning can also be used for tables that traditionally use hash partitioning, but also use a rolling window approach. Over time, data can be moved from one storage tier to another storage tier, compressed, stored in a read-only tablespace, and eventually purged. Information Lifecycle Management (ILM) scenarios often use range partitions to implement a tiered storage approach. See [Chapter 5, "Using Partitioning for Information Lifecycle Management"](#) for more details.

The following is an example of a range-hash partitioned `page_history` table of an Internet service provider. The table definition is optimized for historical analysis for either specific `client_ip` values (in which case queries benefit from partition pruning) or for analysis across many IP addresses, in which case queries can take advantage of full or partial partition-wise joins.

#### **Example 3-6** *Creating a table with composite range-hash partitioning*

```
CREATE TABLE page_history
( id          NUMBER NOT NULL
, url         VARCHAR2(300) NOT NULL
, view_date   DATE NOT NULL
, client_ip   VARCHAR2(23) NOT NULL
, from_url    VARCHAR2(300)
, to_url      VARCHAR2(300)
, timing_in_seconds NUMBER
) PARTITION BY RANGE(view_date) INTERVAL (NUMTODSINTERVAL(1,'DAY'))
SUBPARTITION BY HASH(client_ip)
SUBPARTITIONS 32
(PARTITION p0 VALUES LESS THAN (TO_DATE('01-JAN-2006', 'dd-MON-yyyy')))
PARALLEL 32 COMPRESS;
```

This example shows the use of interval partitioning. Interval partitioning can be used in addition to range partitioning in order for interval partitions to be created automatically as data is inserted into the table.

## When to Use Composite Range-List Partitioning

Composite range-list partitioning is commonly used for large tables that store historical data and are commonly accessed on multiple dimensions. Often the historical view of the data is one access path, but certain business cases add another categorization to the access path. For example, regional account managers are very interested in how many new customers they signed up in their region in a specific time period. ILM and its tiered storage approach is a common reason to create range-list partitioned tables so that older data can be moved and compressed, but partition pruning on the list dimension is still available.

The following example creates a range-list partitioned `call_detail_records` table. A telecommunication company can use this table to analyze specific types of calls over time. The table uses local indexes on `from_number` and `to_number`.

### Example 3-7 Creating a table with composite range-list partitioning

```
CREATE TABLE call_detail_records
( id NUMBER
, from_number          VARCHAR2(20)
, to_number            VARCHAR2(20)
, date_of_call         DATE
, distance              VARCHAR2(1)
, call_duration_in_s  NUMBER(4)
) PARTITION BY RANGE(date_of_call)
INTERVAL (NUMTODSINTERVAL(1, 'DAY'))
SUBPARTITION BY LIST(distance)
SUBPARTITION TEMPLATE
( SUBPARTITION local VALUES('L') TABLESPACE tbs1
, SUBPARTITION medium_long VALUES ('M') TABLESPACE tbs2
, SUBPARTITION long_distance VALUES ('D') TABLESPACE tbs3
, SUBPARTITION international VALUES ('I') TABLESPACE tbs4
)
(PARTITION p0 VALUES LESS THAN (TO_DATE('01-JAN-2005', 'dd-MON-yyyy')))
PARALLEL;

CREATE INDEX from_number_ix ON call_detail_records(from_number)
LOCAL PARALLEL NOLOGGING;

CREATE INDEX to_number_ix ON call_detail_records(to_number)
LOCAL PARALLEL NOLOGGING;
```

This example shows the use of interval partitioning. Interval partitioning can be used in addition to range partitioning in order for interval partitions to be created automatically as data is inserted into the table.

## When to Use Composite Range-Range Partitioning

Composite range-range partitioning is useful for applications that store time-dependent data on multiple time dimensions. Often these applications do not use one particular time dimension to access the data, but rather another time dimension, or sometimes both at the same time. For example, a web retailer wants to analyze its sales data based on when orders were placed, and when orders were shipped (handed over to the shipping company).

Other business cases for composite range-range partitioning include ILM scenarios, and applications that store historical data and want to categorize its data by range on another dimension.

The following example shows a range-range partitioned table `account_balance_history`. A bank may use access to individual subpartitions to contact its customers for low-balance reminders or specific promotions relevant to a certain category of customers.

**Example 3-8 Creating a table with composite range-range partitioning**

```
CREATE TABLE account_balance_history
( id          NUMBER NOT NULL
, account_number NUMBER NOT NULL
, customer_id  NUMBER NOT NULL
, transaction_date DATE NOT NULL
, amount_credited NUMBER
, amount_debited NUMBER
, end_of_day_balance NUMBER NOT NULL
) PARTITION BY RANGE(transaction_date)
INTERVAL (NUMTODSINTERVAL(7,'DAY'))
SUBPARTITION BY RANGE(end_of_day_balance)
SUBPARTITION TEMPLATE
( SUBPARTITION unacceptable VALUES LESS THAN (-1000)
, SUBPARTITION credit VALUES LESS THAN (0)
, SUBPARTITION low VALUES LESS THAN (500)
, SUBPARTITION normal VALUES LESS THAN (5000)
, SUBPARTITION high VALUES LESS THAN (20000)
, SUBPARTITION extraordinary VALUES LESS THAN (MAXVALUE)
)
(PARTITION p0 VALUES LESS THAN (TO_DATE('01-JAN-2007','dd-MON-yyyy')));
```

This example shows the use of interval partitioning. Interval partitioning can be used in addition to range partitioning in order for interval partitions to be created automatically as data is inserted into the table. In this case 7-day (weekly) intervals are created, starting Monday, January 1, 2007.

**When to Use Composite List-Hash Partitioning**

Composite list-hash partitioning is useful for large tables that are usually accessed on one dimension, but (due to their size) still must take advantage of parallel full or partial partition-wise joins on another dimension in joins with other large tables.

The following example shows a `credit_card_accounts` table. The table is list-partitioned on region in order for account managers to quickly access accounts in their region. The subpartitioning strategy is hash on `customer_id` so that queries against the transactions table, also subpartitioned on `customer_id`, can take advantage of full partition-wise joins. Joins with the hash-partitioned customers table can also benefit from full partition-wise joins. The table has a local bitmap index on the `is_active` column.

**Example 3-9 Creating a table with composite list-hash partitioning**

```
CREATE TABLE credit_card_accounts
( account_number NUMBER(16) NOT NULL
, customer_id    NUMBER NOT NULL
, customer_region VARCHAR2(2) NOT NULL
, is_active     VARCHAR2(1) NOT NULL
, date_opened   DATE NOT NULL
) PARTITION BY LIST (customer_region)
SUBPARTITION BY HASH (customer_id)
SUBPARTITIONS 16
( PARTITION emea VALUES ('EU','ME','AF')
, PARTITION amer VALUES ('NA','LA')
```



```
, PARTITION apac VALUES ('SA','AU','NZ','IN','CH')
) PARALLEL;

CREATE BITMAP INDEX is_active_bix ON credit_card_accounts(is_active)
LOCAL PARALLEL NOLOGGING;
```

### When to Use Composite List-List Partitioning

Composite list-list partitioning is useful for large tables that are often accessed on different dimensions. You can specifically map rows to partitions on those dimensions based on discrete values.

The following example shows an example of a very frequently accessed `current_inventory` table. The table is constantly updated with the current inventory in the supermarket supplier's local warehouses. Potentially perishable foods are supplied from those warehouses to supermarkets, and it is important to optimize supplies and deliveries. The table has local indexes on `warehouse_id` and `product_id`.

#### **Example 3-10** *Creating a table with composite list-list partitioning*

```
CREATE TABLE current_inventory
( warehouse_id      NUMBER
, warehouse_region VARCHAR2(2)
, product_id       NUMBER
, product_category VARCHAR2(12)
, amount_in_stock  NUMBER
, unit_of_shipping VARCHAR2(20)
, products_per_unit NUMBER
, last_updated     DATE
) PARTITION BY LIST (warehouse_region)
SUBPARTITION BY LIST (product_category)
SUBPARTITION TEMPLATE
( SUBPARTITION perishable VALUES ('DAIRY','PRODUCE','MEAT','BREAD')
, SUBPARTITION non_perishable VALUES ('CANNED','PACKAGED')
, SUBPARTITION durable VALUES ('TOYS','KITCHENWARE')
)
( PARTITION p_northwest VALUES ('OR','WA')
, PARTITION p_southwest VALUES ('AZ','UT','NM')
, PARTITION p_northeast VALUES ('NY','VM','NJ')
, PARTITION p_southeast VALUES ('FL','GA')
, PARTITION p_northcentral VALUES ('SD','WI')
, PARTITION p_southcentral VALUES ('OK','TX')
);

CREATE INDEX warehouse_id_ix ON current_inventory(warehouse_id)
LOCAL PARALLEL NOLOGGING;

CREATE INDEX product_id_ix ON current_inventory(product_id)
LOCAL PARALLEL NOLOGGING;
```

### When to Use Composite List-Range Partitioning

Composite list-range partitioning is useful for large tables that are accessed on different dimensions. For the most commonly used dimension, you can specifically map rows to partitions on discrete values. List-range partitioning is commonly used for tables that use range values within a list partition, whereas range-list partitioning is commonly used for discrete list values within a range partition. List-range partitioning is less commonly used to store historical data, even though equivalent scenarios all work. Range-list partitioning can be implemented using interval-list partitioning, whereas list-range partitioning does not support interval partitioning.

The following example shows a `donations` table that stores donations in different currencies. The donations are categorized into small, medium, and high, depending on the amount. Due to currency differences, the ranges are different.

**Example 3–11 Creating a table with composite list-range partitioning**

```
CREATE TABLE donations
( id          NUMBER
, name       VARCHAR2(60)
, beneficiary VARCHAR2(80)
, payment_method VARCHAR2(30)
, currency   VARCHAR2(3)
, amount     NUMBER
) PARTITION BY LIST (currency)
SUBPARTITION BY RANGE (amount)
( PARTITION p_eur VALUES ('EUR')
  ( SUBPARTITION p_eur_small VALUES LESS THAN (8)
  , SUBPARTITION p_eur_medium VALUES LESS THAN (80)
  , SUBPARTITION p_eur_high VALUES LESS THAN (MAXVALUE)
  )
, PARTITION p_gbp VALUES ('GBP')
  ( SUBPARTITION p_gbp_small VALUES LESS THAN (5)
  , SUBPARTITION p_gbp_medium VALUES LESS THAN (50)
  , SUBPARTITION p_gbp_high VALUES LESS THAN (MAXVALUE)
  )
, PARTITION p_aud_nzd_chf VALUES ('AUD','NZD','CHF')
  ( SUBPARTITION p_aud_nzd_chf_small VALUES LESS THAN (12)
  , SUBPARTITION p_aud_nzd_chf_medium VALUES LESS THAN (120)
  , SUBPARTITION p_aud_nzd_chf_high VALUES LESS THAN (MAXVALUE)
  )
, PARTITION p_jpy VALUES ('JPY')
  ( SUBPARTITION p_jpy_small VALUES LESS THAN (1200)
  , SUBPARTITION p_jpy_medium VALUES LESS THAN (12000)
  , SUBPARTITION p_jpy_high VALUES LESS THAN (MAXVALUE)
  )
, PARTITION p_inr VALUES ('INR')
  ( SUBPARTITION p_inr_small VALUES LESS THAN (400)
  , SUBPARTITION p_inr_medium VALUES LESS THAN (4000)
  , SUBPARTITION p_inr_high VALUES LESS THAN (MAXVALUE)
  )
, PARTITION p_zar VALUES ('ZAR')
  ( SUBPARTITION p_zar_small VALUES LESS THAN (70)
  , SUBPARTITION p_zar_medium VALUES LESS THAN (700)
  , SUBPARTITION p_zar_high VALUES LESS THAN (MAXVALUE)
  )
, PARTITION p_default VALUES (DEFAULT)
  ( SUBPARTITION p_default_small VALUES LESS THAN (10)
  , SUBPARTITION p_default_medium VALUES LESS THAN (100)
  , SUBPARTITION p_default_high VALUES LESS THAN (MAXVALUE)
  )
) ENABLE ROW MOVEMENT;
```

## When to Use Interval Partitioning

Interval partitioning can be used for every table that is range partitioned and uses fixed intervals for new partitions. The database automatically creates interval partitions as data for that partition arrives. Until this happens, the interval partition exists but no segment is created for the partition.

The benefit of interval partitioning is that you do not need to create your range partitions explicitly. You should consider using interval partitioning unless you create range partitions with different intervals, or if you always set specific partition attributes when you create range partitions. Note that you can specify a list of tablespaces in the interval definition. The database creates interval partitions in the provided list of tablespaces in a round-robin manner.

If you upgrade your application and you use range partitioning or composite range-\* partitioning, then you can easily change your existing table definition to use interval partitioning. Note that you cannot manually add partitions to an interval-partitioned table. If you have automated the creation of new partitions, then you must change your application code to prevent the explicit creation of range partitions going forward.

The following example shows how to change the `sales` table in the sample `sh` schema from range partitioning to start using monthly interval partitioning.

```
ALTER TABLE sales SET INTERVAL (NUMTOYMINTERVAL(1,'MONTH'));
```

You cannot use interval partitioning with reference partitioned tables.

Serializable transactions do not work with interval partitioning. Inserting data into a partition of an interval partitioned table that does not have a segment yet causes an error.

## When to Use Reference Partitioning

Reference partitioning is useful in the following scenarios:

- If you have denormalized, or would denormalize, a column from a master table into a child table to get partition pruning benefits on both tables.

For example, your `orders` table stores the `order_date`, but the `order_items` table, which stores one or more items per order, does not. To get good performance for historical analysis of orders data, you would traditionally duplicate the `order_date` column in the `order_items` table to get partition pruning on the `order_items` table.

You should consider reference partitioning in such a scenario and avoid having to duplicate the `order_date` column. Queries that join both tables and use a predicate on `order_date` automatically benefit from partition pruning on both tables.

- If two large tables are joined frequently, then the tables are not partitioned on the join key, but you want to take advantage of partition-wise joins.

Reference partitioning implicitly enables full partition-wise joins.

- If data in multiple tables has a related life cycle, then reference partitioning can provide significant manageability benefits.

Partition management operations against the master table are automatically cascaded to its descendents. For example, when you add a partition to the master table, that creation is automatically propagated to all its descendents.

To use reference partitioning, you must enable and enforce the foreign key relationship between the master table and the reference table in place. You can cascade reference-partitioned tables.

## When to Partition on Virtual Columns

Virtual column partitioning enables you to partition on an expression, which may use data from other columns, and perform calculations with these columns. PL/SQL function calls are not supported in virtual column definitions that are to be used as a partitioning key.

Virtual column partitioning supports all partitioning methods, plus performance and manageability features. You should consider using virtual columns if tables are frequently accessed using a predicate that is not directly captured in a column, but can be derived, to get partition pruning benefits. Traditionally, to get partition pruning benefits, you would have to add a separate column to capture and calculate the correct value and ensure the column is always populated correctly to ensure correct query retrieval.

The following example shows a `car_rentals` table. The customer's confirmation number contains a two-character country name as the location where the rental car is picked up. Rental car analyses usually evaluate regional patterns, so it makes sense to partition by country.

### **Example 3–12** *Creating a table with virtual columns for partitioning*

```
CREATE TABLE car_rentals
( id                NUMBER NOT NULL
, customer_id       NUMBER NOT NULL
, confirmation_number VARCHAR2(12) NOT NULL
, car_id            NUMBER
, car_type          VARCHAR2(10)
, requested_car_type VARCHAR2(10) NOT NULL
, reservation_date  DATE NOT NULL
, start_date        DATE NOT NULL
, end_date          DATE
, country as (substr(confirmation_number,9,2))
) PARTITION BY LIST (country)
SUBPARTITION BY HASH (customer_id)
SUBPARTITIONS 16
( PARTITION north_america VALUES ('US','CA','MX')
, PARTITION south_america VALUES ('BR','AR','PE')
, PARTITION europe VALUES ('GB','DE','NL','BE','FR','ES','IT','CH')
, PARTITION apac VALUES ('NZ','AU','IN','CN')
) ENABLE ROW MOVEMENT;
```

In this example, the column `country` is defined as a virtual column derived from the confirmation number. The virtual column does not require any storage. As the example illustrates, row movement is supported with virtual columns. The database migrates a row to a different partition if the virtual column evaluates to a different value in another partition.

## Considerations When Using Read-Only Tablespaces

When a referential integrity constraint is defined between parent and child tables, an index is defined on the foreign key, and the tablespace in which that index resides is made read-only. Then the integrity check for the constraint is implemented in SQL and not through consistent read buffer access.

The implication of this is that, if the child is partitioned, only some child partitions have their indexes in read-only tables and, if an insert is made into one nonread-only child segments, a TM enqueue is acquired on the child table in SX mode.

SX mode is incompatible with S requests, so that if you try to insert into the parent, it is blocked as that insert attempts to acquire an S TM enqueue against the child.



---

---

## Partition Administration

Partition administration is an important task when working with partitioned tables and indexes. This chapter describes various aspects of creating and maintaining partitioned tables and indexes, and contains the following topics:

- [Creating Partitions](#)
- [Maintaining Partitions](#)
- [Dropping Partitioned Tables](#)
- [Partitioned Tables and Indexes Example](#)
- [Viewing Information About Partitioned Tables and Indexes](#)

---

---

**Note:** Before you attempt to create a partitioned table or index, or perform maintenance operations on any partitioned table, it is recommended that you review the information in [Chapter 2, "Partitioning Concepts"](#).

---

---

### Creating Partitions

Creating a partitioned table or index is very similar to creating a nonpartitioned table or index (as described in *Oracle Database Administrator's Guide*), but you include a partitioning clause in the `CREATE TABLE` statement. The partitioning clause, and subclauses, that you include depend upon the type of partitioning you want to achieve.

Partitioning is possible on both regular (heap organized) tables and index-organized tables, except for those containing `LONG` or `LONG RAW` columns. You can create nonpartitioned global indexes, range or hash-partitioned global indexes, and local indexes on partitioned tables.

When you create (or alter) a partitioned table, a row movement clause (either `ENABLE ROW MOVEMENT` or `DISABLE ROW MOVEMENT`) can be specified. This clause either enables or disables the migration of a row to a new partition if its key is updated. The default is `DISABLE ROW MOVEMENT`.

The following sections present details and examples of creating partitions for the various types of partitioned tables and indexes:

- [Creating Range-Partitioned Tables and Global Indexes](#)
- [Creating Interval-Partitioned Tables](#)
- [Creating Hash-Partitioned Tables and Global Indexes](#)
- [Creating List-Partitioned Tables](#)

- [Creating Reference-Partitioned Tables](#)
- [Creating Composite Partitioned Tables](#)
- [Using Subpartition Templates to Describe Composite Partitioned Tables](#)
- [Using Multicolumn Partitioning Keys](#)
- [Using Virtual Column-Based Partitioning](#)
- [Using Table Compression with Partitioned Tables](#)
- [Using Key Compression with Partitioned Indexes](#)
- [Using Partitioning with Segments](#)
- [Creating Partitioned Index-Organized Tables](#)
- [Partitioning Restrictions for Multiple Block Sizes](#)
- [Partitioning of Collections in XMLType and Objects](#)

**See Also:**

- *Oracle Database SQL Language Reference* for the exact syntax of the partitioning clauses for creating and altering partitioned tables and indexes, any restrictions on their use, and specific privileges required for creating and altering tables
- *Oracle Database SecureFiles and Large Objects Developer's Guide* for information specific to creating partitioned tables containing columns with LOBs or other objects stored as LOBs
- *Oracle Database Object-Relational Developer's Guide* for information specific to creating tables with object types, nested tables, or VARRAYs

## Creating Range-Partitioned Tables and Global Indexes

The `PARTITION BY RANGE` clause of the `CREATE TABLE` statement specifies that the table or index is to be range-partitioned. The `PARTITION` clauses identify the individual partition ranges, and the optional subclauses of a `PARTITION` clause can specify physical and other attributes specific to a partition segment. If not overridden at the partition level, partitions inherit the attributes of their underlying table.

### Creating a Range-Partitioned Table

The following example creates a table of four partitions, one for each quarter of sales. The columns `sale_year`, `sale_month`, and `sale_day` are the **partitioning columns**, while their values constitute the **partitioning key** of a specific row. The `VALUES LESS THAN` clause determines the **partition bound**: rows with partitioning key values that compare less than the ordered list of values specified by the clause are stored in the partition. Each partition is given a name (`sales_q1`, `sales_q2`, ...), and each partition is contained in a separate tablespace (`tsa`, `tsb`, ...).

#### **Example 4-1** *Creating a range-partitioned table*

```
CREATE TABLE sales
( prod_id      NUMBER(6)
, cust_id     NUMBER
, time_id     DATE
, channel_id  CHAR(1)
, promo_id    NUMBER(6)
, quantity_sold NUMBER(3)
```



```

, amount_sold NUMBER(10,2)
)
PARTITION BY RANGE (time_id)
( PARTITION sales_q1_2006 VALUES LESS THAN (TO_DATE('01-APR-2006', 'dd-MON-yyyy'))
  TABLESPACE tsa
, PARTITION sales_q2_2006 VALUES LESS THAN (TO_DATE('01-JUL-2006', 'dd-MON-yyyy'))
  TABLESPACE tsb
, PARTITION sales_q3_2006 VALUES LESS THAN (TO_DATE('01-OCT-2006', 'dd-MON-yyyy'))
  TABLESPACE tsc
, PARTITION sales_q4_2006 VALUES LESS THAN (TO_DATE('01-JAN-2007', 'dd-MON-yyyy'))
  TABLESPACE tsd
);

```

A row with `time_id=17-MAR-2006` would be stored in partition `sales_q1_2006`.

For more information, refer to ["Using Multicolumn Partitioning Keys"](#) on page 4-21.

In the following example, more complexity is added to the example presented earlier for a range-partitioned table. Storage parameters and a `LOGGING` attribute are specified at the table level. These replace the corresponding defaults inherited from the tablespace level for the table itself, and are inherited by the range partitions. However, because there was little business in the first quarter, the storage attributes for partition `sales_q1_2006` are made smaller. The `ENABLE ROW MOVEMENT` clause is specified to allow the automatic migration of a row to a new partition if an update to a key value is made that would place the row in a different partition.

#### **Example 4-2 Creating a range-partitioned table with `ENABLE ROW MOVEMENT`**

```

CREATE TABLE sales
( prod_id      NUMBER(6)
, cust_id     NUMBER
, time_id     DATE
, channel_id  CHAR(1)
, promo_id    NUMBER(6)
, quantity_sold NUMBER(3)
, amount_sold NUMBER(10,2)
)
STORAGE (INITIAL 100K NEXT 50K) LOGGING
PARTITION BY RANGE (time_id)
( PARTITION sales_q1_2006 VALUES LESS THAN (TO_DATE('01-APR-2006', 'dd-MON-yyyy'))
  TABLESPACE tsa STORAGE (INITIAL 20K NEXT 10K)
, PARTITION sales_q2_2006 VALUES LESS THAN (TO_DATE('01-JUL-2006', 'dd-MON-yyyy'))
  TABLESPACE tsb
, PARTITION sales_q3_2006 VALUES LESS THAN (TO_DATE('01-OCT-2006', 'dd-MON-yyyy'))
  TABLESPACE tsc
, PARTITION sales_q4_2006 VALUES LESS THAN (TO_DATE('01-JAN-2007', 'dd-MON-yyyy'))
  TABLESPACE tsd
)
ENABLE ROW MOVEMENT;

```

### **Creating a Range-Partitioned Global Index**

The rules for creating range-partitioned global indexes are similar to those for creating range-partitioned tables. The following is an example of creating a range-partitioned global index on `sale_month` for the tables created in the preceding examples. Each index partition is named but is stored in the default tablespace for the index.

#### **Example 4-3 Creating a range-partitioned global index table**

```

CREATE INDEX amount_sold_ix ON sales(amount_sold)

```

```

GLOBAL PARTITION BY RANGE(sale_month)
  ( PARTITION p_100 VALUES LESS THAN (100)
  , PARTITION p_1000 VALUES LESS THAN (1000)
  , PARTITION p_10000 VALUES LESS THAN (10000)
  , PARTITION p_100000 VALUES LESS THAN (100000)
  , PARTITION p_1000000 VALUES LESS THAN (1000000)
  , PARTITION p_greater_than_1000000 VALUES LESS THAN (maxvalue)
  );

```

---



---

**Note:** If your enterprise has databases using different character sets, use caution when partitioning on character columns, because the sort sequence of characters is not identical in all character sets. For more information, see *Oracle Database Globalization Support Guide*.

---



---

## Creating Interval-Partitioned Tables

The `INTERVAL` clause of the `CREATE TABLE` statement establishes interval partitioning for the table. You must specify at least one range partition using the `PARTITION` clause. The range partitioning key value determines the high value of the range partitions, which is called the transition point, and the database automatically creates interval partitions for data beyond that transition point. The lower boundary of every interval partition is the non-inclusive upper boundary of the previous range or interval partition.

For example, if you create an interval partitioned table with monthly intervals and the transition point at January 1, 2010, then the lower boundary for the January 2010 interval is January 1, 2010. The lower boundary for the July 2010 interval is July 1, 2010, regardless of whether the June 2010 partition was previously created. Note, however, that using a date where the high or low bound of the partition would be out of the range set for storage causes an error. For example, `TO_DATE('9999-12-01', 'YYYY-MM-DD')` causes the high bound to be 10000-01-01, which would not be storable if 10000 is out of the legal range.

For interval partitioning, the partitioning key can only be a single column name from the table and it must be of `NUMBER` or `DATE` type. The optional `STORE IN` clause lets you specify one or more tablespaces into which the database stores interval partition data using a round-robin algorithm for subsequently created interval partitions.

The following example specifies four partitions with varying widths. It also specifies that above the transition point of January 1, 2010, partitions are created with a width of one month.

### Example 4-4 Creating an interval-partitioned table

```

CREATE TABLE interval_sales
  ( prod_id      NUMBER(6)
  , cust_id      NUMBER
  , time_id      DATE
  , channel_id   CHAR(1)
  , promo_id     NUMBER(6)
  , quantity_sold NUMBER(3)
  , amount_sold  NUMBER(10,2)
  )
PARTITION BY RANGE (time_id)
INTERVAL(NUMTOYMINTERVAL(1, 'MONTH'))
  ( PARTITION p0 VALUES LESS THAN (TO_DATE('1-1-2007', 'DD-MM-YYYY')),
  PARTITION p1 VALUES LESS THAN (TO_DATE('1-1-2008', 'DD-MM-YYYY')),
  PARTITION p2 VALUES LESS THAN (TO_DATE('1-7-2009', 'DD-MM-YYYY')),

```

```
PARTITION p3 VALUES LESS THAN (TO_DATE('1-1-2010', 'DD-MM-YYYY')) );
```

The high bound of partition `p3` represents the transition point. `p3` and all partitions below it (`p0`, `p1`, and `p2` in this example) are in the range section while all partitions above it fall into the interval section.

## Creating Hash-Partitioned Tables and Global Indexes

The `PARTITION BY HASH` clause of the `CREATE TABLE` statement identifies that the table is to be hash-partitioned. The `PARTITIONS` clause can then be used to specify the number of partitions to create, and optionally, the tablespaces to store them in. Alternatively, you can use `PARTITION` clauses to name the individual partitions and their tablespaces.

The only attribute you can specify for hash partitions is `TABLESPACE`. All of the hash partitions of a table must share the same segment attributes (except `TABLESPACE`), which are inherited from the table level.

### Creating a Hash Partitioned Table

The following example creates a hash-partitioned table. The partitioning column is `id`, four partitions are created and assigned system generated names, and they are placed in four named tablespaces (`gear1`, `gear2`, ...).

#### *Example 4-5 Creating a hash-partitioned table*

```
CREATE TABLE scubagear
  (id NUMBER,
   name VARCHAR2 (60))
 PARTITION BY HASH (id)
 PARTITIONS 4
 STORE IN (gear1, gear2, gear3, gear4);
```

For more information, refer to ["Using Multicolumn Partitioning Keys"](#) on page 4-21.

The following examples illustrate two methods of creating a hash-partitioned table named `dept`. In the first example the number of partitions is specified, but system generated names are assigned to them and they are stored in the default tablespace of the table.

```
CREATE TABLE dept (deptno NUMBER, deptname VARCHAR(32))
 PARTITION BY HASH(deptno) PARTITIONS 16;
```

In the following example, names of individual partitions, and tablespaces in which they are to reside, are specified. The initial extent size for each hash partition (segment) is also explicitly stated at the table level, and all partitions inherit this attribute.

```
CREATE TABLE dept (deptno NUMBER, deptname VARCHAR(32))
 STORAGE (INITIAL 10K)
 PARTITION BY HASH(deptno)
 (PARTITION p1 TABLESPACE ts1, PARTITION p2 TABLESPACE ts2,
  PARTITION p3 TABLESPACE ts1, PARTITION p4 TABLESPACE ts3);
```

If you create a local index for this table, the database constructs the index so that it is equipartitioned with the underlying table. The database also ensures that the index is maintained automatically when maintenance operations are performed on the underlying table. The following is an example of creating a local index on the table `dept`:

```
CREATE INDEX loc_dept_ix ON dept(deptno) LOCAL;
```

You can optionally name the hash partitions and tablespaces into which the local index partitions are to be stored, but if you do not do so, the database uses the name of the corresponding base partition as the index partition name, and stores the index partition in the same tablespace as the table partition.

### Creating a Hash-Partitioned Global Index

Hash-partitioned global indexes can improve the performance of indexes where a small number of leaf blocks in the index have high contention in multiuser OLTP environments. Hash-partitioned global indexes can also limit the impact of index skew on monotonously increasing column values. Queries involving the equality and `IN` predicates on the index partitioning key can efficiently use hash-partitioned global indexes.

The syntax for creating a hash partitioned global index is similar to that used for a hash partitioned table. For example, the following statement creates a hash-partitioned global index:

#### **Example 4-6** *Creating a hash-partitioned global index*

```
CREATE INDEX hgidx ON tab (c1,c2,c3) GLOBAL
PARTITION BY HASH (c1,c2)
(PARTITION p1 TABLESPACE tbs_1,
PARTITION p2 TABLESPACE tbs_2,
PARTITION p3 TABLESPACE tbs_3,
PARTITION p4 TABLESPACE tbs_4);
```

## Creating List-Partitioned Tables

The semantics for creating list partitions are very similar to those for creating range partitions. However, to create list partitions, you specify a `PARTITION BY LIST` clause in the `CREATE TABLE` statement, and the `PARTITION` clauses specify lists of literal values, which are the discrete values of the partitioning columns that qualify rows to be included in the partition. For list partitioning, the partitioning key can only be a single column name from the table.

Available only with list partitioning, you can use the keyword `DEFAULT` to describe the value list for a partition. This identifies a partition that accommodates rows that do not map into any of the other partitions.

As with range partitions, optional subclauses of a `PARTITION` clause can specify physical and other attributes specific to a partition segment. If not overridden at the partition level, partitions inherit the attributes of their parent table.

The following example creates a list-partitioned table. It creates table `q1_sales_by_region` which is partitioned by regions consisting of groups of U.S. states.

#### **Example 4-7** *Creating a list-partitioned table*

```
CREATE TABLE q1_sales_by_region
(deptno number,
deptname varchar2(20),
quarterly_sales number(10, 2),
state varchar2(2))
PARTITION BY LIST (state)
(PARTITION q1_northwest VALUES ('OR', 'WA'),
PARTITION q1_southwest VALUES ('AZ', 'UT', 'NM'),
PARTITION q1_northeast VALUES ('NY', 'VM', 'NJ'),
PARTITION q1_southeast VALUES ('FL', 'GA'),
```

```

PARTITION q1_northcentral VALUES ('SD', 'WI'),
PARTITION q1_southcentral VALUES ('OK', 'TX'));

```

A row is mapped to a partition by checking whether the value of the partitioning column for a row matches a value in the value list that describes the partition.

For example, some sample rows are inserted as follows:

- (10, 'accounting', 100, 'WA') maps to partition q1\_northwest
- (20, 'R&D', 150, 'OR') maps to partition q1\_northwest
- (30, 'sales', 100, 'FL') maps to partition q1\_southeast
- (40, 'HR', 10, 'TX') maps to partition q1\_southwest
- (50, 'systems engineering', 10, 'CA') does not map to any partition in the table and raises an error

Unlike range partitioning, with list partitioning, there is no apparent sense of order between partitions. You can also specify a **default partition** into which rows that do not map to any other partition are mapped. If a default partition were specified in the preceding example, the state CA would map to that partition.

The following example creates table `sales_by_region` and partitions it using the list method. The first two `PARTITION` clauses specify physical attributes, which override the table-level defaults. The remaining `PARTITION` clauses do not specify attributes and those partitions inherit their physical attributes from table-level defaults. A default partition is also specified.

#### **Example 4-8 Creating a list-partitioned table with a default partition**

```

CREATE TABLE sales_by_region (item# INTEGER, qty INTEGER,
                             store_name VARCHAR(30), state_code VARCHAR(2),
                             sale_date DATE)
STORAGE(INITIAL 10K NEXT 20K) TABLESPACE tbs5
PARTITION BY LIST (state_code)
(
PARTITION region_east
VALUES ('MA', 'NY', 'CT', 'NH', 'ME', 'MD', 'VA', 'PA', 'NJ')
STORAGE (INITIAL 8M)
TABLESPACE tbs8,
PARTITION region_west
VALUES ('CA', 'AZ', 'NM', 'OR', 'WA', 'UT', 'NV', 'CO')
NOLOGGING,
PARTITION region_south
VALUES ('TX', 'KY', 'TN', 'LA', 'MS', 'AR', 'AL', 'GA'),
PARTITION region_central
VALUES ('OH', 'ND', 'SD', 'MO', 'IL', 'MI', 'IA'),
PARTITION region_null
VALUES (NULL),
PARTITION region_unknown
VALUES (DEFAULT)
);

```

## Creating Reference-Partitioned Tables

To create a reference-partitioned table, you specify a `PARTITION BY REFERENCE` clause in the `CREATE TABLE` statement. This clause specifies the name of a referential constraint and this constraint becomes the partitioning referential constraint that is used as the basis for reference partitioning in the table. The referential constraint must be enabled and enforced.

As with other partitioned tables, you can specify object-level default attributes, and you can optionally specify partition descriptors that override the object-level defaults on a per-partition basis.

The following example creates a parent table `orders` which is range-partitioned on `order_date`. The reference-partitioned child table `order_items` is created with four partitions, `Q1_2005`, `Q2_2005`, `Q3_2005`, and `Q4_2005`, where each partition contains the `order_items` rows corresponding to orders in the respective parent partition.

**Example 4–9 Creating reference-partitioned tables**

```
CREATE TABLE orders
  ( order_id          NUMBER(12),
    order_date       TIMESTAMP WITH LOCAL TIME ZONE,
    order_mode       VARCHAR2(8),
    customer_id      NUMBER(6),
    order_status     NUMBER(2),
    order_total      NUMBER(8,2),
    sales_rep_id     NUMBER(6),
    promotion_id     NUMBER(6),
    CONSTRAINT orders_pk PRIMARY KEY(order_id)
  )
PARTITION BY RANGE(order_date)
  ( PARTITION Q1_2005 VALUES LESS THAN (TO_DATE('01-APR-2005', 'DD-MON-YYYY')),
    PARTITION Q2_2005 VALUES LESS THAN (TO_DATE('01-JUL-2005', 'DD-MON-YYYY')),
    PARTITION Q3_2005 VALUES LESS THAN (TO_DATE('01-OCT-2005', 'DD-MON-YYYY')),
    PARTITION Q4_2005 VALUES LESS THAN (TO_DATE('01-JAN-2006', 'DD-MON-YYYY'))
  );

CREATE TABLE order_items
  ( order_id          NUMBER(12) NOT NULL,
    line_item_id     NUMBER(3)  NOT NULL,
    product_id       NUMBER(6)  NOT NULL,
    unit_price       NUMBER(8,2),
    quantity         NUMBER(8),
    CONSTRAINT order_items_fk
    FOREIGN KEY(order_id) REFERENCES orders(order_id)
  )
PARTITION BY REFERENCE(order_items_fk);
```

If partition descriptors are provided, then the number of partitions described must exactly equal the number of partitions or subpartitions in the referenced table. If the parent table is a composite partitioned table, then the table has one partition for each subpartition of its parent; otherwise the table has one partition for each partition of its parent.

Partition bounds cannot be specified for the partitions of a reference-partitioned table.

The partitions of a reference-partitioned table can be named. If a partition is not explicitly named, then it inherits its name from the corresponding partition in the parent table, unless this inherited name conflicts with an existing explicit name. In this case, the partition has a system-generated name.

Partitions of a reference-partitioned table collocate with the corresponding partition of the parent table, if no explicit tablespace is specified for the reference-partitioned table's partition.

## Creating Composite Partitioned Tables

To create a composite partitioned table, you start by using the `PARTITION BY [RANGE | LIST]` clause of a `CREATE TABLE` statement. Next, you specify a `SUBPARTITION BY [RANGE | LIST | HASH]` clause that follows similar syntax and rules as the `PARTITION BY [RANGE | LIST | HASH]` clause. The individual `PARTITION` and `SUBPARTITION` or `SUBPARTITIONS` clauses, and optionally a `SUBPARTITION TEMPLATE` clause, follow.

### Creating Composite Range-Hash Partitioned Tables

The following statement creates a range-hash partitioned table. In this example, four range partitions are created, each containing eight subpartitions. Because the subpartitions are not named, system generated names are assigned, but the `STORE IN` clause distributes them across the 4 specified tablespaces (`ts1, ..., ts4`).

#### **Example 4-10** *Creating a composite range-hash partitioned table*

```
CREATE TABLE sales
  ( prod_id      NUMBER(6)
  , cust_id      NUMBER
  , time_id      DATE
  , channel_id   CHAR(1)
  , promo_id     NUMBER(6)
  , quantity_sold NUMBER(3)
  , amount_sold  NUMBER(10,2)
  )
PARTITION BY RANGE (time_id) SUBPARTITION BY HASH (cust_id)
SUBPARTITIONS 8 STORE IN (ts1, ts2, ts3, ts4)
( PARTITION sales_q1_2006 VALUES LESS THAN (TO_DATE('01-APR-2006', 'dd-MON-yyyy'))
, PARTITION sales_q2_2006 VALUES LESS THAN (TO_DATE('01-JUL-2006', 'dd-MON-yyyy'))
, PARTITION sales_q3_2006 VALUES LESS THAN (TO_DATE('01-OCT-2006', 'dd-MON-yyyy'))
, PARTITION sales_q4_2006 VALUES LESS THAN (TO_DATE('01-JAN-2007', 'dd-MON-yyyy'))
);
```

The partitions of a range-hash partitioned table are logical structures only, as their data is stored in the segments of their subpartitions. As with partitions, these subpartitions share the same logical attributes. Unlike range partitions in a range-partitioned table, the subpartitions cannot have different physical attributes from the owning partition, although they are not required to reside in the same tablespace.

Attributes specified for a range partition apply to all subpartitions of that partition. You can specify different attributes for each range partition, and you can specify a `STORE IN` clause at the partition level if the list of tablespaces across which the subpartitions of that partition should be spread is different from those of other partitions. All of this is illustrated in the following example.

```
CREATE TABLE emp (deptno NUMBER, empname VARCHAR(32), grade NUMBER)
PARTITION BY RANGE(deptno) SUBPARTITION BY HASH(empname)
SUBPARTITIONS 8 STORE IN (ts1, ts3, ts5, ts7)
(PARTITION p1 VALUES LESS THAN (1000),
PARTITION p2 VALUES LESS THAN (2000)
STORE IN (ts2, ts4, ts6, ts8),
PARTITION p3 VALUES LESS THAN (MAXVALUE)
(SUBPARTITION p3_s1 TABLESPACE ts4,
SUBPARTITION p3_s2 TABLESPACE ts5));
```

To learn how using a subpartition template can simplify the specification of a composite partitioned table, see ["Using Subpartition Templates to Describe Composite Partitioned Tables"](#) on page 4-19.

The following statement is an example of creating a local index on the emp table where the index segments are spread across tablespaces ts7, ts8, and ts9.

```
CREATE INDEX emp_ix ON emp(deptno)
  LOCAL STORE IN (ts7, ts8, ts9);
```

This local index is equipartitioned with the base table as follows:

- It consists of as many partitions as the base table.
- Each index partition consists of as many subpartitions as the corresponding base table partition.
- Index entries for rows in a given subpartition of the base table are stored in the corresponding subpartition of the index.

### Creating Composite Range-List Partitioned Tables

The range partitions of a range-list composite partitioned table are described as for non-composite range partitioned tables. This allows that optional subclauses of a PARTITION clause can specify physical and other attributes, including tablespace, specific to a partition segment. If not overridden at the partition level, partitions inherit the attributes of their underlying table.

The list subpartition descriptions, in the SUBPARTITION clauses, are described as for non-composite list partitions, except the only physical attribute that can be specified is a tablespace (optional). Subpartitions inherit all other physical attributes from the partition description.

The following example illustrates how range-list partitioning might be used. The example tracks sales data of products by quarters and within each quarter, groups it by specified states.

#### **Example 4–11** *Creating a composite range-list partitioned table*

```
CREATE TABLE quarterly_regional_sales
  (deptno number, item_no varchar2(20),
   txn_date date, txn_amount number, state varchar2(2))
  TABLESPACE ts4
  PARTITION BY RANGE (txn_date)
  SUBPARTITION BY LIST (state)
  (PARTITION q1_1999 VALUES LESS THAN (TO_DATE('1-APR-1999','DD-MON-YYYY'))
   (SUBPARTITION q1_1999_northwest VALUES ('OR', 'WA'),
    SUBPARTITION q1_1999_southwest VALUES ('AZ', 'UT', 'NM'),
    SUBPARTITION q1_1999_northeast VALUES ('NY', 'VM', 'NJ'),
    SUBPARTITION q1_1999_southeast VALUES ('FL', 'GA'),
    SUBPARTITION q1_1999_northcentral VALUES ('SD', 'WI'),
    SUBPARTITION q1_1999_southcentral VALUES ('OK', 'TX')
   ),
   PARTITION q2_1999 VALUES LESS THAN ( TO_DATE('1-JUL-1999','DD-MON-YYYY'))
   (SUBPARTITION q2_1999_northwest VALUES ('OR', 'WA'),
    SUBPARTITION q2_1999_southwest VALUES ('AZ', 'UT', 'NM'),
    SUBPARTITION q2_1999_northeast VALUES ('NY', 'VM', 'NJ'),
    SUBPARTITION q2_1999_southeast VALUES ('FL', 'GA'),
    SUBPARTITION q2_1999_northcentral VALUES ('SD', 'WI'),
    SUBPARTITION q2_1999_southcentral VALUES ('OK', 'TX')
   ),
   PARTITION q3_1999 VALUES LESS THAN (TO_DATE('1-OCT-1999','DD-MON-YYYY'))
   (SUBPARTITION q3_1999_northwest VALUES ('OR', 'WA'),
    SUBPARTITION q3_1999_southwest VALUES ('AZ', 'UT', 'NM'),
    SUBPARTITION q3_1999_northeast VALUES ('NY', 'VM', 'NJ'),
    SUBPARTITION q3_1999_southeast VALUES ('FL', 'GA'),
```



```

        SUBPARTITION q3_1999_northcentral VALUES ('SD', 'WI'),
        SUBPARTITION q3_1999_southcentral VALUES ('OK', 'TX')
    ),
    PARTITION q4_1999 VALUES LESS THAN ( TO_DATE('1-JAN-2000','DD-MON-YYYY'))
    (SUBPARTITION q4_1999_northwest VALUES ('OR', 'WA'),
    SUBPARTITION q4_1999_southwest VALUES ('AZ', 'UT', 'NM'),
    SUBPARTITION q4_1999_northeast VALUES ('NY', 'VM', 'NJ'),
    SUBPARTITION q4_1999_southeast VALUES ('FL', 'GA'),
    SUBPARTITION q4_1999_northcentral VALUES ('SD', 'WI'),
    SUBPARTITION q4_1999_southcentral VALUES ('OK', 'TX')
    )
);

```

A row is mapped to a partition by checking whether the value of the partitioning column for a row falls within a specific partition range. The row is then mapped to a subpartition within that partition by identifying the subpartition whose descriptor value list contains a value matching the subpartition column value.

For example, some sample rows are inserted as follows:

- (10, 4532130, '23-Jan-1999', 8934.10, 'WA') maps to subpartition q1\_1999\_northwest
- (20, 5671621, '15-May-1999', 49021.21, 'OR') maps to subpartition q2\_1999\_northwest
- (30, 9977612, '07-Sep-1999', 30987.90, 'FL') maps to subpartition q3\_1999\_southeast
- (40, 9977612, '29-Nov-1999', 67891.45, 'TX') maps to subpartition q4\_1999\_southcentral
- (40, 4532130, '5-Jan-2000', 897231.55, 'TX') does not map to any partition in the table and raises an error
- (50, 5671621, '17-Dec-1999', 76123.35, 'CA') does not map to any subpartition in the table and raises an error

The partitions of a range-list partitioned table are logical structures only, as their data is stored in the segments of their subpartitions. The list subpartitions have the same characteristics as list partitions. You can specify a default subpartition, just as you specify a default partition for list partitioning.

The following example creates a table that specifies a tablespace at the partition and subpartition levels. The number of subpartitions within each partition varies, and default subpartitions are specified.

```

CREATE TABLE sample_regional_sales
    (deptno number, item_no varchar2(20),
    txn_date date, txn_amount number, state varchar2(2))
PARTITION BY RANGE (txn_date)
SUBPARTITION BY LIST (state)
    (PARTITION q1_1999 VALUES LESS THAN (TO_DATE('1-APR-1999','DD-MON-YYYY'))
    TABLESPACE tbs_1
    (SUBPARTITION q1_1999_northwest VALUES ('OR', 'WA'),
    SUBPARTITION q1_1999_southwest VALUES ('AZ', 'UT', 'NM'),
    SUBPARTITION q1_1999_northeast VALUES ('NY', 'VM', 'NJ'),
    SUBPARTITION q1_1999_southeast VALUES ('FL', 'GA'),
    SUBPARTITION q1_others VALUES (DEFAULT) TABLESPACE tbs_4
    ),
    PARTITION q2_1999 VALUES LESS THAN ( TO_DATE('1-JUL-1999','DD-MON-YYYY'))
    TABLESPACE tbs_2
    (SUBPARTITION q2_1999_northwest VALUES ('OR', 'WA'),
    SUBPARTITION q2_1999_southwest VALUES ('AZ', 'UT', 'NM'),

```

```

SUBPARTITION q2_1999_northeast VALUES ('NY', 'VM', 'NJ'),
SUBPARTITION q2_1999_southeast VALUES ('FL', 'GA'),
SUBPARTITION q2_1999_northcentral VALUES ('SD', 'WI'),
SUBPARTITION q2_1999_southcentral VALUES ('OK', 'TX')
),
PARTITION q3_1999 VALUES LESS THAN (TO_DATE('1-OCT-1999','DD-MON-YYYY'))
TABLESPACE tbs_3
(SUBPARTITION q3_1999_northwest VALUES ('OR', 'WA'),
SUBPARTITION q3_1999_southwest VALUES ('AZ', 'UT', 'NM'),
SUBPARTITION q3_others VALUES (DEFAULT) TABLESPACE tbs_4
),
PARTITION q4_1999 VALUES LESS THAN ( TO_DATE('1-JAN-2000','DD-MON-YYYY'))
TABLESPACE tbs_4
);

```

This example results in the following subpartition descriptions:

- All subpartitions inherit their physical attributes, other than tablespace, from tablespace level defaults. This is because the only physical attribute that has been specified for partitions or subpartitions is tablespace. There are no table level physical attributes specified, thus tablespace level defaults are inherited at all levels.
- The first 4 subpartitions of partition `q1_1999` are all contained in `tbs_1`, except for the subpartition `q1_others`, which is stored in `tbs_4` and contains all rows that do not map to any of the other partitions.
- The 6 subpartitions of partition `q2_1999` are all stored in `tbs_2`.
- The first 2 subpartitions of partition `q3_1999` are all contained in `tbs_3`, except for the subpartition `q3_others`, which is stored in `tbs_4` and contains all rows that do not map to any of the other partitions.
- There is no subpartition description for partition `q4_1999`. This results in one default subpartition being created and stored in `tbs_4`. The subpartition name is system generated in the form `SYS_SUBPn`.

To learn how using a subpartition template can simplify the specification of a composite partitioned table, see ["Using Subpartition Templates to Describe Composite Partitioned Tables"](#).

### Creating Composite Range-Range Partitioned Tables

The range partitions of a range-range composite partitioned table are described as for non-composite range partitioned tables. This allows that optional subclauses of a `PARTITION` clause can specify physical and other attributes, including tablespace, specific to a partition segment. If not overridden at the partition level, partitions inherit the attributes of their underlying table.

The range subpartition descriptions, in the `SUBPARTITION` clauses, are described as for non-composite range partitions, except the only physical attribute that can be specified is an optional tablespace. Subpartitions inherit all other physical attributes from the partition description.

The following example illustrates how range-range partitioning might be used. The example tracks shipments. The service level agreement with the customer states that every order is delivered in the calendar month after the order was placed. The following types of orders are identified:

- E (EARLY): orders that are delivered before the middle of the next month after the order was placed. These orders likely exceed customers' expectations.

- A (AGREED): orders that are delivered in the calendar month after the order was placed (but not early orders).
- L (LATE): orders that were only delivered starting the second calendar month after the order was placed.

**Example 4–12 Creating a composite range-range partitioned table**

```
CREATE TABLE shipments
( order_id      NUMBER NOT NULL
, order_date    DATE NOT NULL
, delivery_date DATE NOT NULL
, customer_id   NUMBER NOT NULL
, sales_amount  NUMBER NOT NULL
)
PARTITION BY RANGE (order_date)
SUBPARTITION BY RANGE (delivery_date)
( PARTITION p_2006_jul VALUES LESS THAN (TO_DATE('01-AUG-2006','dd-MON-yyyy'))
  ( SUBPARTITION p06_jul_e VALUES LESS THAN (TO_DATE('15-AUG-2006','dd-MON-yyyy'))
  , SUBPARTITION p06_jul_a VALUES LESS THAN (TO_DATE('01-SEP-2006','dd-MON-yyyy'))
  , SUBPARTITION p06_jul_l VALUES LESS THAN (MAXVALUE)
  )
, PARTITION p_2006_aug VALUES LESS THAN (TO_DATE('01-SEP-2006','dd-MON-yyyy'))
  ( SUBPARTITION p06_aug_e VALUES LESS THAN (TO_DATE('15-SEP-2006','dd-MON-yyyy'))
  , SUBPARTITION p06_aug_a VALUES LESS THAN (TO_DATE('01-OCT-2006','dd-MON-yyyy'))
  , SUBPARTITION p06_aug_l VALUES LESS THAN (MAXVALUE)
  )
, PARTITION p_2006_sep VALUES LESS THAN (TO_DATE('01-OCT-2006','dd-MON-yyyy'))
  ( SUBPARTITION p06_sep_e VALUES LESS THAN (TO_DATE('15-OCT-2006','dd-MON-yyyy'))
  , SUBPARTITION p06_sep_a VALUES LESS THAN (TO_DATE('01-NOV-2006','dd-MON-yyyy'))
  , SUBPARTITION p06_sep_l VALUES LESS THAN (MAXVALUE)
  )
, PARTITION p_2006_oct VALUES LESS THAN (TO_DATE('01-NOV-2006','dd-MON-yyyy'))
  ( SUBPARTITION p06_oct_e VALUES LESS THAN (TO_DATE('15-NOV-2006','dd-MON-yyyy'))
  , SUBPARTITION p06_oct_a VALUES LESS THAN (TO_DATE('01-DEC-2006','dd-MON-yyyy'))
  , SUBPARTITION p06_oct_l VALUES LESS THAN (MAXVALUE)
  )
, PARTITION p_2006_nov VALUES LESS THAN (TO_DATE('01-DEC-2006','dd-MON-yyyy'))
  ( SUBPARTITION p06_nov_e VALUES LESS THAN (TO_DATE('15-DEC-2006','dd-MON-yyyy'))
  , SUBPARTITION p06_nov_a VALUES LESS THAN (TO_DATE('01-JAN-2007','dd-MON-yyyy'))
  , SUBPARTITION p06_nov_l VALUES LESS THAN (MAXVALUE)
  )
, PARTITION p_2006_dec VALUES LESS THAN (TO_DATE('01-JAN-2007','dd-MON-yyyy'))
  ( SUBPARTITION p06_dec_e VALUES LESS THAN (TO_DATE('15-JAN-2007','dd-MON-yyyy'))
  , SUBPARTITION p06_dec_a VALUES LESS THAN (TO_DATE('01-FEB-2007','dd-MON-yyyy'))
  , SUBPARTITION p06_dec_l VALUES LESS THAN (MAXVALUE)
  )
);
```

A row is mapped to a partition by checking whether the value of the partitioning column for a row falls within a specific partition range. The row is then mapped to a subpartition within that partition by identifying whether the value of the subpartitioning column falls within a specific range. For example, a shipment with an order date in September 2006 and a delivery date of October 28, 2006 falls in partition p06\_oct\_a.

To learn how using a subpartition template can simplify the specification of a composite partitioned table, see ["Using Subpartition Templates to Describe Composite Partitioned Tables"](#) on page 4-19.

## Creating Composite List-\* Partitioned Tables

The concepts of list-hash, list-list, and list-range composite partitioning are similar to the concepts for range-hash, range-list, and range-range partitioning. This time, however, you specify `PARTITION BY LIST` to define the partitioning strategy.

The list partitions of a list-\* composite partitioned table are described as for non-composite range partitioned tables. This allows that optional subclauses of a `PARTITION` clause can specify physical and other attributes, including tablespace, specific to a partition segment. If not overridden at the partition level, then partitions inherit the attributes of their underlying table.

The subpartition descriptions, in the `SUBPARTITION` or `SUBPARTITIONS` clauses, are described as for range-\* composite partitioning methods.

For more information about the subpartition definition of a list-hash composite partitioning method, refer to ["Creating Composite Range-Hash Partitioned Tables"](#) on page 4-9. For more information about the subpartition definition of a list-list composite partitioning method, refer to ["Creating Composite Range-List Partitioned Tables"](#) on page 4-10. For more information about the subpartition definition of a list-range composite partitioning method, refer to ["Creating Composite Range-Range Partitioned Tables"](#) on page 4-12.

The following sections show examples for the different list-\* composite partitioning methods.

**Creating Composite List-Hash Partitioned Tables** The following example shows an `accounts` table that is list partitioned by region and subpartitioned using hash by customer identifier.

### **Example 4-13** *Creating a composite list-hash partitioned table*

```
CREATE TABLE accounts
( id          NUMBER
, account_number NUMBER
, customer_id  NUMBER
, balance     NUMBER
, branch_id   NUMBER
, region      VARCHAR(2)
, status      VARCHAR2(1)
)
PARTITION BY LIST (region)
SUBPARTITION BY HASH (customer_id) SUBPARTITIONS 8
( PARTITION p_northwest VALUES ('OR', 'WA')
, PARTITION p_southwest VALUES ('AZ', 'UT', 'NM')
, PARTITION p_northeast VALUES ('NY', 'VM', 'NJ')
, PARTITION p_southeast VALUES ('FL', 'GA')
, PARTITION p_northcentral VALUES ('SD', 'WI')
, PARTITION p_southcentral VALUES ('OK', 'TX')
);
```

To learn how using a subpartition template can simplify the specification of a composite partitioned table, see ["Using Subpartition Templates to Describe Composite Partitioned Tables"](#) on page 4-19.

**Creating Composite List-List Partitioned Tables** The following example shows an `accounts` table that is list partitioned by region and subpartitioned using list by account status.

**Example 4-14 Creating a composite list-list partitioned table**

```

CREATE TABLE accounts
  ( id          NUMBER
  , account_number NUMBER
  , customer_id NUMBER
  , balance     NUMBER
  , branch_id   NUMBER
  , region      VARCHAR(2)
  , status      VARCHAR2(1)
  )
PARTITION BY LIST (region)
SUBPARTITION BY LIST (status)
( PARTITION p_northwest VALUES ('OR', 'WA')
  ( SUBPARTITION p_nw_bad VALUES ('B')
  , SUBPARTITION p_nw_average VALUES ('A')
  , SUBPARTITION p_nw_good VALUES ('G')
  )
  , PARTITION p_southwest VALUES ('AZ', 'UT', 'NM')
  ( SUBPARTITION p_sw_bad VALUES ('B')
  , SUBPARTITION p_sw_average VALUES ('A')
  , SUBPARTITION p_sw_good VALUES ('G')
  )
  , PARTITION p_northeast VALUES ('NY', 'VM', 'NJ')
  ( SUBPARTITION p_ne_bad VALUES ('B')
  , SUBPARTITION p_ne_average VALUES ('A')
  , SUBPARTITION p_ne_good VALUES ('G')
  )
  , PARTITION p_southeast VALUES ('FL', 'GA')
  ( SUBPARTITION p_se_bad VALUES ('B')
  , SUBPARTITION p_se_average VALUES ('A')
  , SUBPARTITION p_se_good VALUES ('G')
  )
  , PARTITION p_northcentral VALUES ('SD', 'WI')
  ( SUBPARTITION p_nc_bad VALUES ('B')
  , SUBPARTITION p_nc_average VALUES ('A')
  , SUBPARTITION p_nc_good VALUES ('G')
  )
  , PARTITION p_southcentral VALUES ('OK', 'TX')
  ( SUBPARTITION p_sc_bad VALUES ('B')
  , SUBPARTITION p_sc_average VALUES ('A')
  , SUBPARTITION p_sc_good VALUES ('G')
  )
);

```

To learn how using a subpartition template can simplify the specification of a composite partitioned table, see ["Using Subpartition Templates to Describe Composite Partitioned Tables"](#) on page 4-19.

**Creating Composite List-Range Partitioned Tables** The following example shows an `accounts` table that is list partitioned by region and subpartitioned using range by account balance. Note that row movement is enabled. Subpartitions for different list partitions could have different ranges specified.

**Example 4-15 Creating a composite list-range partitioned table**

```

CREATE TABLE accounts
  ( id          NUMBER
  , account_number NUMBER
  , customer_id NUMBER

```

```

, balance          NUMBER
, branch_id       NUMBER
, region          VARCHAR(2)
, status          VARCHAR2(1)
)
PARTITION BY LIST (region)
SUBPARTITION BY RANGE (balance)
( PARTITION p_northwest VALUES ('OR', 'WA')
  ( SUBPARTITION p_nw_low VALUES LESS THAN (1000)
  , SUBPARTITION p_nw_average VALUES LESS THAN (10000)
  , SUBPARTITION p_nw_high VALUES LESS THAN (100000)
  , SUBPARTITION p_nw_extraordinary VALUES LESS THAN (MAXVALUE)
  )
, PARTITION p_southwest VALUES ('AZ', 'UT', 'NM')
  ( SUBPARTITION p_sw_low VALUES LESS THAN (1000)
  , SUBPARTITION p_sw_average VALUES LESS THAN (10000)
  , SUBPARTITION p_sw_high VALUES LESS THAN (100000)
  , SUBPARTITION p_sw_extraordinary VALUES LESS THAN (MAXVALUE)
  )
, PARTITION p_northeast VALUES ('NY', 'VM', 'NJ')
  ( SUBPARTITION p_ne_low VALUES LESS THAN (1000)
  , SUBPARTITION p_ne_average VALUES LESS THAN (10000)
  , SUBPARTITION p_ne_high VALUES LESS THAN (100000)
  , SUBPARTITION p_ne_extraordinary VALUES LESS THAN (MAXVALUE)
  )
, PARTITION p_southeast VALUES ('FL', 'GA')
  ( SUBPARTITION p_se_low VALUES LESS THAN (1000)
  , SUBPARTITION p_se_average VALUES LESS THAN (10000)
  , SUBPARTITION p_se_high VALUES LESS THAN (100000)
  , SUBPARTITION p_se_extraordinary VALUES LESS THAN (MAXVALUE)
  )
, PARTITION p_northcentral VALUES ('SD', 'WI')
  ( SUBPARTITION p_nc_low VALUES LESS THAN (1000)
  , SUBPARTITION p_nc_average VALUES LESS THAN (10000)
  , SUBPARTITION p_nc_high VALUES LESS THAN (100000)
  , SUBPARTITION p_nc_extraordinary VALUES LESS THAN (MAXVALUE)
  )
, PARTITION p_southcentral VALUES ('OK', 'TX')
  ( SUBPARTITION p_sc_low VALUES LESS THAN (1000)
  , SUBPARTITION p_sc_average VALUES LESS THAN (10000)
  , SUBPARTITION p_sc_high VALUES LESS THAN (100000)
  , SUBPARTITION p_sc_extraordinary VALUES LESS THAN (MAXVALUE)
  )
) ENABLE ROW MOVEMENT;

```

To learn how using a subpartition template can simplify the specification of a composite partitioned table, see ["Using Subpartition Templates to Describe Composite Partitioned Tables"](#) on page 4-19.

### Creating Composite Interval-\* Partitioned Tables

The concepts of interval-\* composite partitioning are similar to the concepts for range-\* partitioning. However, you extend the `PARTITION BY RANGE` clause to include the `INTERVAL` definition. You must specify at least one range partition using the `PARTITION` clause. The range partitioning key value determines the high value of the range partitions, which is called the transition point, and the database automatically creates interval partitions for data beyond that transition point.

The subpartitions for intervals in an interval-\* partitioned table are created when the database creates the interval. You can specify the definition of future subpartitions

only with a subpartition template. To learn more about how to use a subpartition template, see ["Using Subpartition Templates to Describe Composite Partitioned Tables"](#) on page 4-19.

**Creating Composite Interval-Hash Partitioned Tables** You can create an interval-hash partitioned table with multiple hash partitions using one of the following methods:

- Specify multiple hash partitions in the `PARTITIONS` clause.
- Use a subpartition template.

If you do not use either of these methods, then future interval partitions get only a single hash subpartition.

The following example shows the `sales` table, interval partitioned using monthly intervals on `time_id`, with hash subpartitions by `cust_id`. Note that this example specifies multiple hash partitions, without any specific tablespace assignment to the individual hash partitions.

**Example 4-16 Creating a composite interval-hash partitioned table**

```
CREATE TABLE sales
  ( prod_id      NUMBER(6)
  , cust_id      NUMBER
  , time_id      DATE
  , channel_id   CHAR(1)
  , promo_id     NUMBER(6)
  , quantity_sold NUMBER(3)
  , amount_sold  NUMBER(10,2)
  )
PARTITION BY RANGE (time_id) INTERVAL (NUMTOYMINTERVAL(1,'MONTH'))
SUBPARTITION BY HASH (cust_id) SUBPARTITIONS 4
( PARTITION before_2000 VALUES LESS THAN (TO_DATE('01-JAN-2000','dd-MON-yyyy')))
PARALLEL;
```

The following example shows the same `sales` table, interval partitioned using monthly intervals on `time_id`, again with hash subpartitions by `cust_id`. This time, however, individual hash partitions are stored in separate tablespaces. Note that the subpartition template is used to define the tablespace assignment for future hash subpartitions. To learn more about how to use a subpartition template, see ["Using Subpartition Templates to Describe Composite Partitioned Tables"](#) on page 4-19.

```
CREATE TABLE sales
  ( prod_id      NUMBER(6)
  , cust_id      NUMBER
  , time_id      DATE
  , channel_id   CHAR(1)
  , promo_id     NUMBER(6)
  , quantity_sold NUMBER(3)
  , amount_sold  NUMBER(10,2)
  )
PARTITION BY RANGE (time_id) INTERVAL (NUMTOYMINTERVAL(1,'MONTH'))
SUBPARTITION BY hash(cust_id)
SUBPARTITION template
( SUBPARTITION p1 TABLESPACE ts1
  , SUBPARTITION p2 TABLESPACE ts2
  , SUBPARTITION p3 TABLESPACE ts3
  , SUBPARTITION P4 TABLESPACE ts4
  )
( PARTITION before_2000 VALUES LESS THAN (TO_DATE('01-JAN-2000','dd-MON-yyyy')))
) PARALLEL;
```

**Creating Composite Interval-List Partitioned Tables** The only way to define list subpartitions for future interval partitions is with the subpartition template. If you do not use the subpartitioning template, then the only subpartition that are created for every interval partition is a DEFAULT subpartition. To learn more about how to use a subpartition template, see ["Using Subpartition Templates to Describe Composite Partitioned Tables"](#) on page 4-19.

The following example shows the `sales` table, interval partitioned using daily intervals on `time_id`, with list subpartitions by `channel_id`.

**Example 4-17 Creating a composite interval-list partitioned table**

```
CREATE TABLE sales
  ( prod_id      NUMBER(6)
  , cust_id      NUMBER
  , time_id      DATE
  , channel_id   CHAR(1)
  , promo_id     NUMBER(6)
  , quantity_sold NUMBER(3)
  , amount_sold  NUMBER(10,2)
  )
PARTITION BY RANGE (time_id) INTERVAL (NUMTODSINTERVAL(1,'DAY'))
SUBPARTITION BY LIST (channel_id)
SUBPARTITION TEMPLATE
  ( SUBPARTITION p_catalog VALUES ('C')
  , SUBPARTITION p_internet VALUES ('I')
  , SUBPARTITION p_partners VALUES ('P')
  , SUBPARTITION p_direct_sales VALUES ('S')
  , SUBPARTITION p_tele_sales VALUES ('T')
  )
  ( PARTITION before_2000 VALUES LESS THAN (TO_DATE('01-JAN-2000','dd-MON-yyyy'))
  PARALLEL;
```

**Creating Composite Interval-Range Partitioned Tables** The only way to define range subpartitions for future interval partitions is with the subpartition template. If you do not use the subpartition template, then the only subpartition that is created for every interval partition is a range subpartition with the MAXVALUE upper boundary. To learn more about how to use a subpartition template, see ["Using Subpartition Templates to Describe Composite Partitioned Tables"](#) on page 4-19.

The following example shows the `sales` table, interval partitioned using daily intervals on `time_id`, with range subpartitions by `amount_sold`.

**Example 4-18 Creating a composite interval-range partitioned table**

```
CREATE TABLE sales
  ( prod_id      NUMBER(6)
  , cust_id      NUMBER
  , time_id      DATE
  , channel_id   CHAR(1)
  , promo_id     NUMBER(6)
  , quantity_sold NUMBER(3)
  , amount_sold  NUMBER(10,2)
  )
PARTITION BY RANGE (time_id) INTERVAL (NUMTODSINTERVAL(1,'DAY'))
SUBPARTITION BY RANGE (amount_sold)
SUBPARTITION TEMPLATE
```



```

    ( SUBPARTITION p_low VALUES LESS THAN (1000)
    , SUBPARTITION p_medium VALUES LESS THAN (4000)
    , SUBPARTITION p_high VALUES LESS THAN (8000)
    , SUBPARTITION p_ultimate VALUES LESS THAN (maxvalue)
    )
    ( PARTITION before_2000 VALUES LESS THAN (TO_DATE('01-JAN-2000','dd-MON-yyyy')))
PARALLEL;

```

## Using Subpartition Templates to Describe Composite Partitioned Tables

You can create subpartitions in a composite partitioned table using a subpartition template. A subpartition template simplifies the specification of subpartitions by not requiring that a subpartition descriptor be specified for every partition in the table. Instead, you describe subpartitions only one time in a template, then apply that subpartition template to every partition in the table. For interval-\* composite partitioned tables, the subpartition template is the only way to define subpartitions for interval partitions.

The subpartition template is used whenever a subpartition descriptor is not specified for a partition. If a subpartition descriptor is specified, then it is used instead of the subpartition template for that partition. If no subpartition template is specified, and no subpartition descriptor is supplied for a partition, then a single default subpartition is created.

### Specifying a Subpartition Template for a \*-Hash Partitioned Table

For [range | interval | list]-hash partitioned tables, the subpartition template can describe the subpartitions in detail, or it can specify just the number of hash subpartitions.

The following example creates a range-hash partitioned table using a subpartition template:

#### **Example 4–19** *Creating a range-hash partitioned table with a subpartition template*

```

CREATE TABLE emp_sub_template (deptno NUMBER, empname VARCHAR(32), grade NUMBER)
    PARTITION BY RANGE(deptno) SUBPARTITION BY HASH(empname)
    SUBPARTITION TEMPLATE
        (SUBPARTITION a TABLESPACE ts1,
        SUBPARTITION b TABLESPACE ts2,
        SUBPARTITION c TABLESPACE ts3,
        SUBPARTITION d TABLESPACE ts4
        )
    (PARTITION p1 VALUES LESS THAN (1000),
    PARTITION p2 VALUES LESS THAN (2000),
    PARTITION p3 VALUES LESS THAN (MAXVALUE)
    );

```

This example produces the following table description:

- Every partition has four subpartitions as described in the subpartition template.
- Each subpartition has a tablespace specified. It is required that if a tablespace is specified for one subpartition in a subpartition template, then one must be specified for all.
- The names of the subpartitions, unless you use interval-\* subpartitioning, are generated by concatenating the partition name with the subpartition name in the form:

*partition name\_subpartition name*

For interval-\* subpartitioning, the subpartition names are system-generated in the form:

SYS\_SUBP*n*

The following query displays the subpartition names and tablespaces:

```
SQL> SELECT TABLESPACE_NAME, PARTITION_NAME, SUBPARTITION_NAME
       2 FROM DBA_TAB_SUBPARTITIONS WHERE TABLE_NAME='EMP_SUB_TEMPLATE'
       3 ORDER BY TABLESPACE_NAME;
```

| TABLESPACE_NAME | PARTITION_NAME | SUBPARTITION_NAME |
|-----------------|----------------|-------------------|
| TS1             | P1             | P1_A              |
| TS1             | P2             | P2_A              |
| TS1             | P3             | P3_A              |
| TS2             | P1             | P1_B              |
| TS2             | P2             | P2_B              |
| TS2             | P3             | P3_B              |
| TS3             | P1             | P1_C              |
| TS3             | P2             | P2_C              |
| TS3             | P3             | P3_C              |
| TS4             | P1             | P1_D              |
| TS4             | P2             | P2_D              |
| TS4             | P3             | P3_D              |

12 rows selected.

### Specifying a Subpartition Template for a \*-List Partitioned Table

The following example, for a range-list partitioned table, illustrates how using a subpartition template can help you stripe data across tablespaces. In this example, a table is created where the table subpartitions are vertically striped, meaning that subpartition *n* from every partition is in the same tablespace.

#### Example 4-20 Creating a range-list partitioned table with a subpartition template

```
CREATE TABLE stripe_regional_sales
( deptno number, item_no varchar2(20),
  txn_date date, txn_amount number, state varchar2(2))
PARTITION BY RANGE (txn_date)
SUBPARTITION BY LIST (state)
SUBPARTITION TEMPLATE
( SUBPARTITION northwest VALUES ('OR', 'WA') TABLESPACE tbs_1,
  SUBPARTITION southwest VALUES ('AZ', 'UT', 'NM') TABLESPACE tbs_2,
  SUBPARTITION northeast VALUES ('NY', 'VM', 'NJ') TABLESPACE tbs_3,
  SUBPARTITION southeast VALUES ('FL', 'GA') TABLESPACE tbs_4,
  SUBPARTITION midwest VALUES ('SD', 'WI') TABLESPACE tbs_5,
  SUBPARTITION south VALUES ('AL', 'AK') TABLESPACE tbs_6,
  SUBPARTITION others VALUES (DEFAULT ) TABLESPACE tbs_7
)
(PARTITION q1_1999 VALUES LESS THAN ( TO_DATE('01-APR-1999', 'DD-MON-YYYY')),
 PARTITION q2_1999 VALUES LESS THAN ( TO_DATE('01-JUL-1999', 'DD-MON-YYYY')),
 PARTITION q3_1999 VALUES LESS THAN ( TO_DATE('01-OCT-1999', 'DD-MON-YYYY')),
 PARTITION q4_1999 VALUES LESS THAN ( TO_DATE('1-JAN-2000', 'DD-MON-YYYY'))
);
```

If you specified the tablespaces at the partition level (for example, tbs\_1 for partition q1\_1999, tbs\_2 for partition q2\_1999, tbs\_3 for partition q3\_1999, and tbs\_4 for

partition q4\_1999) and not in the subpartition template, then the table would be horizontally striped. All subpartitions would be in the tablespace of the owning partition.

## Using Multicolumn Partitioning Keys

For range-partitioned and hash-partitioned tables, you can specify up to 16 partitioning key columns. Use multicolumn partitioning when the partitioning key is composed of several columns and subsequent columns define a higher granularity than the preceding ones. The most common scenario is a decomposed DATE or TIMESTAMP key, consisting of separated columns, for year, month, and day.

In evaluating multicolumn partitioning keys, the database uses the second value only if the first value cannot uniquely identify a single target partition, and uses the third value only if the first and second do not determine the correct partition, and so forth. A value cannot determine the correct partition only when a partition bound exactly matches that value and the same bound is defined for the next partition. The  $n^{\text{th}}$  column is investigated only when all previous (n-1) values of the multicolumn key exactly match the (n-1) bounds of a partition. A second column, for example, is evaluated only if the first column exactly matches the partition boundary value. If all column values exactly match all of the bound values for a partition, then the database determines that the row does not fit in this partition and considers the next partition for a match.

For nondeterministic boundary definitions (successive partitions with identical values for at least one column), the partition boundary value becomes an inclusive value, representing a "less than or equal to" boundary. This is in contrast to deterministic boundaries, where the values are always regarded as "less than" boundaries.

The following example illustrates the column evaluation for a multicolumn range-partitioned table, storing the actual DATE information in three separate columns: year, month, and day. The partitioning granularity is a calendar quarter. The partitioned table being evaluated is created as follows:

### **Example 4-21 Creating a multicolumn range-partitioned table**

```
CREATE TABLE sales_demo (
  year          NUMBER,
  month         NUMBER,
  day           NUMBER,
  amount_sold  NUMBER)
PARTITION BY RANGE (year,month)
(PARTITION before2001 VALUES LESS THAN (2001,1),
 PARTITION q1_2001   VALUES LESS THAN (2001,4),
 PARTITION q2_2001   VALUES LESS THAN (2001,7),
 PARTITION q3_2001   VALUES LESS THAN (2001,10),
 PARTITION q4_2001   VALUES LESS THAN (2002,1),
 PARTITION future    VALUES LESS THAN (MAXVALUE,0));

REM 12-DEC-2000
INSERT INTO sales_demo VALUES(2000,12,12, 1000);
REM 17-MAR-2001
INSERT INTO sales_demo VALUES(2001,3,17, 2000);
REM 1-NOV-2001
INSERT INTO sales_demo VALUES(2001,11,1, 5000);
REM 1-JAN-2002
INSERT INTO sales_demo VALUES(2002,1,1, 4000);
```

The year value for 12-DEC-2000 satisfied the first partition, `before2001`, so no further evaluation is needed:

```
SELECT * FROM sales_demo PARTITION(before2001);
```

| YEAR | MONTH | DAY | AMOUNT_SOLD |
|------|-------|-----|-------------|
| 2000 | 12    | 12  | 1000        |

The information for 17-MAR-2001 is stored in partition `q1_2001`. The first partitioning key column, `year`, does not by itself determine the correct partition, so the second partitioning key column, `month`, must be evaluated.

```
SELECT * FROM sales_demo PARTITION(q1_2001);
```

| YEAR | MONTH | DAY | AMOUNT_SOLD |
|------|-------|-----|-------------|
| 2001 | 3     | 17  | 2000        |

Following the same determination rule as for the previous record, the second column, `month`, determines partition `q4_2001` as correct partition for 1-NOV-2001:

```
SELECT * FROM sales_demo PARTITION(q4_2001);
```

| YEAR | MONTH | DAY | AMOUNT_SOLD |
|------|-------|-----|-------------|
| 2001 | 11    | 1   | 5000        |

The partition for 01-JAN-2002 is determined by evaluating only the year column, which indicates the future partition:

```
SELECT * FROM sales_demo PARTITION(future);
```

| YEAR | MONTH | DAY | AMOUNT_SOLD |
|------|-------|-----|-------------|
| 2002 | 1     | 1   | 4000        |

If the database encounters `MAXVALUE` in one of the partitioning key columns, then all other values of subsequent columns become irrelevant. That is, a definition of partition `future` in the preceding example, having a bound of `(MAXVALUE,0)` is equivalent to a bound of `(MAXVALUE,100)` or a bound of `(MAXVALUE,MAXVALUE)`.

The following example illustrates the use of a multicolumn partitioned approach for table `supplier_parts`, storing the information about which suppliers deliver which parts. To distribute the data in equal-sized partitions, it is not sufficient to partition the table based on the `supplier_id`, because some suppliers might provide hundreds of thousands of parts, while others provide only a few specialty parts. Instead, you partition the table on `(supplier_id, partnum)` to manually enforce equal-sized partitions.

```
CREATE TABLE supplier_parts (
  supplier_id NUMBER,
  partnum     NUMBER,
  price      NUMBER)
PARTITION BY RANGE (supplier_id, partnum)
(PARTITION p1 VALUES LESS THAN (10,100),
 PARTITION p2 VALUES LESS THAN (10,200),
 PARTITION p3 VALUES LESS THAN (MAXVALUE,MAXVALUE));
```

The following three records are inserted into the table:

```
INSERT INTO supplier_parts VALUES (5,5, 1000);
```

```
INSERT INTO supplier_parts VALUES (5,150, 1000);
INSERT INTO supplier_parts VALUES (10,100, 1000);
```

The first two records are inserted into partition p1, uniquely identified by `supplier_id`. However, the third record is inserted into partition p2; it matches all range boundary values of partition p1 exactly and the database therefore considers the following partition for a match. The value of `partnum` satisfies the criteria  $< 200$ , so it is inserted into partition p2.

```
SELECT * FROM supplier_parts PARTITION (p1);
```

| SUPPLIER_ID | PARTNUM | PRICE |
|-------------|---------|-------|
| 5           | 5       | 1000  |
| 5           | 150     | 1000  |

```
SELECT * FROM supplier_parts PARTITION (p2);
```

| SUPPLIER_ID | PARTNUM | PRICE |
|-------------|---------|-------|
| 10          | 100     | 1000  |

Every row with `supplier_id < 10` is stored in partition p1, regardless of the `partnum` value. The column `partnum` is evaluated only if `supplier_id = 10`, and the corresponding rows is inserted into partition p1, p2, or even into p3 when `partnum >= 200`. To achieve equal-sized partitions for ranges of `supplier_parts`, you could choose a composite range-hash partitioned table, range partitioned by `supplier_id`, hash subpartitioned by `partnum`.

Defining the partition boundaries for multicolumn partitioned tables must obey some rules. For example, consider a table that is range partitioned on three columns `a`, `b`, and `c`. The individual partitions have range values represented as follows:

```
P0(a0, b0, c0)
P1(a1, b1, c1)
P2(a2, b2, c2)
...
Pn(an, bn, cn)
```

The range values you provide for each partition must follow these rules:

- `a0` must be less than or equal to `a1`, and `a1` must be less than or equal to `a2`, and so on.
- If `a0 = a1`, then `b0` must be less than or equal to `b1`. If `a0 < a1`, then `b0` and `b1` can have any values. If `a0 = a1` and `b0 = b1`, then `c0` must be less than or equal to `c1`. If `b0 < b1`, then `c0` and `c1` can have any values, and so on.
- If `a1 = a2`, then `b1` must be less than or equal to `b2`. If `a1 < a2`, then `b1` and `b2` can have any values. If `a1 = a2` and `b1 = b2`, then `c1` must be less than or equal to `c2`. If `b1 < b2`, then `c1` and `c2` can have any values, and so on.

## Using Virtual Column-Based Partitioning

With partitioning, a virtual column can be used as any regular column. All partition methods are supported when using virtual columns, including interval partitioning and all different combinations of composite partitioning. A virtual column used as the partitioning column cannot use calls to a PL/SQL function.

**See Also:** *Oracle Database SQL Language Reference* for the syntax on how to create a virtual column

The following example shows the `sales` table partitioned by range-range using a virtual column for the subpartitioning key. The virtual column calculates the total value of a sale by multiplying `amount_sold` and `quantity_sold`.

**Example 4–22 Creating a table with a virtual column for the subpartitioning key**

```
CREATE TABLE sales
  ( prod_id      NUMBER(6) NOT NULL
  , cust_id      NUMBER NOT NULL
  , time_id      DATE NOT NULL
  , channel_id   CHAR(1) NOT NULL
  , promo_id     NUMBER(6) NOT NULL
  , quantity_sold NUMBER(3) NOT NULL
  , amount_sold  NUMBER(10,2) NOT NULL
  , total_amount AS (quantity_sold * amount_sold)
  )
PARTITION BY RANGE (time_id) INTERVAL (NUMTOYMINTERVAL(1,'MONTH'))
SUBPARTITION BY RANGE(total_amount)
SUBPARTITION TEMPLATE
  ( SUBPARTITION p_small VALUES LESS THAN (1000)
  , SUBPARTITION p_medium VALUES LESS THAN (5000)
  , SUBPARTITION p_large VALUES LESS THAN (10000)
  , SUBPARTITION p_extreme VALUES LESS THAN (MAXVALUE)
  )
(PARTITION sales_before_2007 VALUES LESS THAN
  (TO_DATE('01-JAN-2007','dd-MON-yyyy')))
)
ENABLE ROW MOVEMENT
PARALLEL NOLOGGING;
```

As the example shows, row movement is also supported with virtual columns. If row movement is enabled, then a row migrates from one partition to another partition if the virtual column evaluates to a value that belongs to another partition.

## Using Table Compression with Partitioned Tables

For heap-organized partitioned tables, you can compress some or all partitions using table compression. The compression attribute can be declared for a tablespace, a table, or a partition of a table. Whenever the compress attribute is not specified, it is inherited like any other storage attribute.

The following example creates a list-partitioned table with one compressed partition `costs_old`. The compression attribute for the table and all other partitions is inherited from the tablespace level.

**Example 4–23 Creating a list-partitioned table with a compressed partition**

```
CREATE TABLE costs_demo (
  prod_id      NUMBER(6),   time_id      DATE,
  unit_cost    NUMBER(10,2), unit_price   NUMBER(10,2))
PARTITION BY RANGE (time_id)
(PARTITION costs_old
  VALUES LESS THAN (TO_DATE('01-JAN-2003', 'DD-MON-YYYY')) COMPRESS,
PARTITION costs_q1_2003
  VALUES LESS THAN (TO_DATE('01-APR-2003', 'DD-MON-YYYY')),
PARTITION costs_q2_2003
```

```
VALUES LESS THAN (TO_DATE('01-JUN-2003', 'DD-MON-YYYY')),
PARTITION costs_recent VALUES LESS THAN (MAXVALUE));
```

## Using Key Compression with Partitioned Indexes

You can compress some or all partitions of a B-tree index using key compression. Key compression is applicable only to B-tree indexes. Bitmap indexes are stored in a compressed manner by default. An index using key compression eliminates repeated occurrences of key column prefix values, thus saving space and I/O.

The following example creates a local partitioned index with all partitions except the most recent one compressed:

```
CREATE INDEX i_cost1 ON costs_demo (prod_id) COMPRESS LOCAL
(PARTITION costs_old, PARTITION costs_q1_2003,
PARTITION costs_q2_2003, PARTITION costs_recent NOCOMPRESS);
```

You cannot specify `COMPRESS` (or `NOCOMPRESS`) explicitly for an index subpartition. All index subpartitions of a given partition inherit the key compression setting from the parent partition.

To modify the key compression attribute for all subpartitions of a given partition, you must first issue an `ALTER INDEX . . . MODIFY PARTITION` statement and then rebuild all subpartitions. The `MODIFY PARTITION` clause marks all index subpartitions as `UNUSABLE`.

## Using Partitioning with Segments

---

**Note:** This functionality is available starting with Oracle Database 11g Release 2 (11.2.0.2).

---

This sections discusses the functionality when using partitioning with segments:

- [Deferred Segment Creation for Partitioning](#)
- [Truncating Segments That Are Empty](#)
- [Maintenance Procedures for Segment Creation on Demand](#)

### Deferred Segment Creation for Partitioning

You can defer the creation of segments when creating a partitioned table until the first row is inserted into a partition. Subsequently, when the first row is inserted, segments are created for the base table partition, LOB columns, all global indexes, and local index partitions. Deferred segment creation can be controlled by the following:

- Setting the `DEFERRED_SEGMENT_CREATION` initialization parameter to `TRUE` or `FALSE` in the initialization parameter file.
- Setting the initialization parameter `DEFERRED_SEGMENT_CREATION` to `TRUE` or `FALSE` with the `ALTER SESSION` or `ALTER SYSTEM SQL` statements.
- Specifying the keywords `SEGMENT CREATION IMMEDIATE` or `SEGMENT CREATION DEFERRED` with the partition clause when issuing the `CREATE TABLE SQL` statement.

You can force the creation of segments for an existing created partition with the `ALTER TABLE ... MODIFY PARTITION ... ALLOCATE EXTENT SQL` statement. This

statement allocates one extent more than the initial number of extents specified during the CREATE TABLE.

Serializable transactions do not work with deferred segment creation. Inserting data into an empty table with no segment created, or into a partition of an interval partitioned table that does not have a segment yet, causes an error.

**See Also:**

- *Oracle Database Reference* for more information about the DEFERRED\_SEGMENT\_CREATION initialization parameter
- *Oracle Database SQL Language Reference* for more information about the ALTER SESSION and ALTER SYSTEM SQL statements
- *Oracle Database SQL Language Reference* for more information about the keywords SEGMENT CREATION IMMEDIATE and SEGMENT CREATION DEFERRED of the CREATE TABLE SQL statement

### Truncating Segments That Are Empty

You can drop empty segments in tables and table fragments with the DBMS\_SPACE\_ADMIN.DROP\_EMPTY\_SEGMENTS procedure.

In addition, if a partition or subpartition has a segment, then the truncate feature drops the segment if the DROP ALL STORAGE clause is specified with the ALTER TABLE TRUNCATE PARTITION SQL statement.

**See Also:**

- *Oracle Database PL/SQL Packages and Types Reference* for more information about the DBMS\_SPACE\_ADMIN package
- *Oracle Database SQL Language Reference* for more information about the DROP ALL STORAGE clause of ALTER TABLE

### Maintenance Procedures for Segment Creation on Demand

You can use the MATERIALIZE\_DEFERRED\_SEGMENTS procedure in the DBMS\_SPACE\_ADMIN package to create segments for tables and dependent objects for tables with the deferred segment property.

You can also force the creation of segments for an existing created table and table fragment with the DBMS\_SPACE\_ADMIN.MATERIALIZE\_DEFERRED\_SEGMENTS procedure. The MATERIALIZE\_DEFERRED\_SEGMENTS procedure differs from the ALTER TABLE ... MODIFY PARTITION ... ALLOCATE EXTENT SQL statement because it does not allocate one additional extent for the table or table fragment.

**See Also:**

- *Oracle Database PL/SQL Packages and Types Reference* for more information about the DBMS\_SPACE\_ADMIN package

## Creating Partitioned Index-Organized Tables

For index-organized tables, you can use the range, list, or hash partitioning method. The semantics for creating partitioned index-organized tables is similar to that for regular tables with these differences:

- When you create the table, you specify the ORGANIZATION INDEX clause, and INCLUDING and OVERFLOW clauses as necessary.



- The `PARTITION` or `PARTITIONS` clauses can have `OVERFLOW` subclauses that allow you to specify attributes of the overflow segments at the partition level.

Specifying an `OVERFLOW` clause results in the overflow data segments themselves being equipartitioned with the primary key index segments. Thus, for partitioned index-organized tables with overflow, each partition has an index segment and an overflow data segment.

For index-organized tables, the set of partitioning columns must be a subset of the primary key columns. Because rows of an index-organized table are stored in the primary key index for the table, the partitioning criterion affects the availability. By choosing the partitioning key to be a subset of the primary key, an insert operation must only verify uniqueness of the primary key in a single partition, thereby maintaining partition independence.

Support for secondary indexes on index-organized tables is similar to the support for regular tables. Because of the logical nature of the secondary indexes, global indexes on index-organized tables remain usable for certain operations where they would be marked `UNUSABLE` for regular tables. For more information, refer to ["Maintaining Partitions"](#) on page 4-31.

#### See Also:

- *Oracle Database Administrator's Guide* for more information about managing index-organized tables
- *Oracle Database Concepts* for more information about index-organized tables

## Creating Range-Partitioned Index-Organized Tables

You can partition index-organized tables, and their secondary indexes, by the range method. In the following example, a range-partitioned index-organized table `sales` is created. The `INCLUDING` clause specifies that all columns after `week_no` are to be stored in an overflow segment. There is one overflow segment for each partition, all stored in the same tablespace (`overflow_here`). Optionally, `OVERFLOW TABLESPACE` could be specified at the individual partition level, in which case some or all of the overflow segments could have separate `TABLESPACE` attributes.

### Example 4-24 Creating a range-partitioned index-organized table

```
CREATE TABLE sales(acct_no NUMBER(5),
                  acct_name CHAR(30),
                  amount_of_sale NUMBER(6),
                  week_no INTEGER,
                  sale_details VARCHAR2(1000),
                  PRIMARY KEY (acct_no, acct_name, week_no))
ORGANIZATION INDEX
INCLUDING week_no
OVERFLOW TABLESPACE overflow_here
PARTITION BY RANGE (week_no)
(PARTITION VALUES LESS THAN (5)
 TABLESPACE ts1,
 PARTITION VALUES LESS THAN (9)
 TABLESPACE ts2 OVERFLOW TABLESPACE overflow_ts2,
 ...
 PARTITION VALUES LESS THAN (MAXVALUE)
 TABLESPACE ts13);
```

## Creating Hash-Partitioned Index-Organized Tables

Another option for partitioning index-organized tables is to use the hash method. In the following example, the `sales` index-organized table is partitioned by the hash method.

### **Example 4–25** *Creating a hash-partitioned index-organized table*

```
CREATE TABLE sales(acct_no NUMBER(5),
                   acct_name CHAR(30),
                   amount_of_sale NUMBER(6),
                   week_no INTEGER,
                   sale_details VARCHAR2(1000),
                   PRIMARY KEY (acct_no, acct_name, week_no))
  ORGANIZATION INDEX
    INCLUDING week_no
  OVERFLOW
    PARTITION BY HASH (week_no)
    PARTITIONS 16
    STORE IN (ts1, ts2, ts3, ts4)
    OVERFLOW STORE IN (ts3, ts6, ts9);
```

---

**Note:** A well-designed hash function is intended to distribute rows in a well-balanced fashion among the partitions. Therefore, updating the primary key column(s) of a row is very likely to move that row to a different partition. Oracle recommends that you explicitly specify the `ENABLE ROW MOVEMENT` clause when creating a hash-partitioned index-organized table with a changeable partitioning key. The default is that `ENABLE ROW MOVEMENT` is disabled.

---

## Creating List-Partitioned Index-Organized Tables

The other option for partitioning index-organized tables is to use the list method. In the following example, the `sales` index-organized table is partitioned by the list method. This example uses the `example` tablespace, which is part of the sample schemas in your seed database. Normally you would specify different tablespace storage for different partitions.

### **Example 4–26** *Creating a list-partitioned index-organized table*

```
CREATE TABLE sales(acct_no NUMBER(5),
                   acct_name CHAR(30),
                   amount_of_sale NUMBER(6),
                   week_no INTEGER,
                   sale_details VARCHAR2(1000),
                   PRIMARY KEY (acct_no, acct_name, week_no))
  ORGANIZATION INDEX
    INCLUDING week_no
    OVERFLOW TABLESPACE example
  PARTITION BY LIST (week_no)
    (PARTITION VALUES (1, 2, 3, 4)
      TABLESPACE example,
     PARTITION VALUES (5, 6, 7, 8)
      TABLESPACE example OVERFLOW TABLESPACE example,
     PARTITION VALUES (DEFAULT)
      TABLESPACE example);
```

## Partitioning Restrictions for Multiple Block Sizes

Use caution when creating partitioned objects in a database with tablespaces of different block sizes. The storage of partitioned objects in such tablespaces is subject to some restrictions. Specifically, all partitions of the following entities must reside in tablespaces of the same block size:

- Conventional tables
- Indexes
- Primary key index segments of index-organized tables
- Overflow segments of index-organized tables
- LOB columns stored out of line

Therefore:

- For each conventional table, all partitions of that table must be stored in tablespaces with the same block size.
- For each index-organized table, all primary key index partitions must reside in tablespaces of the same block size, and all overflow partitions of that table must reside in tablespaces of the same block size. However, index partitions and overflow partitions can reside in tablespaces of different block size.
- For each index (global or local), each partition of that index must reside in tablespaces of the same block size. However, partitions of different indexes defined on the same object can reside in tablespaces of different block sizes.
- For each LOB column, each partition of that column must be stored in tablespaces of equal block sizes. However, different LOB columns can be stored in tablespaces of different block sizes.

When you create or alter a partitioned table or index, all tablespaces you *explicitly specify* for the partitions and subpartitions of each entity must be of the same block size. If you *do not explicitly specify* tablespace storage for an entity, the tablespaces the database uses by default must be of the same block size. Therefore, you must be aware of the default tablespaces at each level of the partitioned object.

## Partitioning of Collections in XMLType and Objects

For the purposes of this discussion, we use the term *Collection Tables* for the following two categories: (1) ordered collection tables inside XMLType tables or columns, and (2) nested tables inside object tables or columns.

Partitioning when using XMLType or object tables and columns follows the basic rules for partitioning. When you partition Collection Tables, Oracle Database uses the partitioning scheme of the base table. Also, Collection Tables are automatically partitioned when the base table is partitioned. DML against a partitioned nested table behaves in a similar manner to that of a reference partitioned table.

The following statement creates a nested table partition:

### **Example 4–27** Creating a nested table partition

```
CREATE TABLE print_media_part (
  product_id NUMBER(6),
  ad_id NUMBER(6),
  ad_composite BLOB,
  ad_sourcetext CLOB,
  ad_finaltext CLOB,
```

```

ad_fltextn NCLOB,
ad_textdocs_ntab TEXTDOC_TAB,
ad_photo BLOB,
ad_graphic BFILE,
ad_header ADHEADER_TYP)
NESTED TABLE ad_textdocs_ntab STORE AS textdoc_nt
PARTITION BY RANGE (product_id)
(PARTITION p1 VALUES LESS THAN (100),
PARTITION p2 VALUES LESS THAN (200));

```

For an example of issuing a query against a partitioned nested table and using the EXPLAIN PLAN to improve performance, see ["Collection Tables"](#) on page 3-10.

Note that Oracle Database provides a LOCAL keyword to equipartition a Collection Table with a partitioned base table. This is the default behavior in this release. The default in earlier releases was not to equipartition the Collection Table with the partitioned base table. Now you must specify the GLOBAL keyword to store an unpartitioned Collection Table with a partitioned base table. See *Oracle Database SQL Language Reference* for more information. Also, to convert your existing nonpartitioned collection tables to partitioned, use online redefinition, as illustrated in ["Redefining Partitions Online"](#) on page 4-60.

Out-of-line (OOL) table partitioning is supported. However, you cannot create two tables of the same XML schema that has out-of-line tables. This means that exchange partitioning cannot be performed for schemas with OOL tables because it is not possible to have two tables of the same schema.

### Performing PMOs on Partitions that Contain Collection Tables

Whether a partition contains Collection Tables or not does not significantly affect your ability to perform partition maintenance operations (PMOs). Usually, maintenance operations on Collection Tables are carried out on the base table. The following example illustrates a typical ADD PARTITION operation based on the preceding nested table partition:

```

ALTER TABLE print_media_part
ADD PARTITION p4 VALUES LESS THAN (400)
LOB(ad_photo, ad_composite) STORE AS (TABLESPACE omf_ts1)
LOB(ad_sourcetext, ad_finaltext) STORE AS (TABLESPACE omf_ts1)
NESTED TABLE ad_textdocs_ntab STORE AS nt_p3;

```

The storage table for nested table storage column ad\_textdocs\_ntab is named nt\_p3 and inherits all other attributes from the table-level defaults and then from the tablespace defaults.

You must directly invoke the following partition maintenance operations on the storage table corresponding to the collection column:

- modify partition
- move partition
- rename partition
- modify the default attributes of a partition

**See Also:** *Oracle Database SQL Language Reference* for syntax and [Table 4-1, "ALTER TABLE Maintenance Operations for Table Partitions"](#) for a list of partition maintenance operations that can be performed on partitioned tables and composite partitioned tables

## Maintaining Partitions

This section describes how to perform partition and subpartition maintenance operations for both tables and indexes.

Table 4–1 lists partition maintenance operations that can be performed on partitioned tables and composite partitioned tables, and Table 4–2 lists subpartition maintenance operations that can be performed on composite partitioned tables. For each type of partitioning and subpartitioning, the specific clause of the ALTER TABLE statement that is used to perform that maintenance operation is listed.

**Table 4–1 ALTER TABLE Maintenance Operations for Table Partitions**

| Maintenance Operation                      | Range Composite Range-*   | Interval Composite Interval-* | Hash                      | List Composite List-*            | Reference                 |
|--|---------------------------|-------------------------------|---------------------------|----------------------------------|---------------------------|
| Adding Partitions                          | ADD PARTITION             | ADD PARTITION                 | ADD PARTITION             | ADD PARTITION                    | N/A <sup>1</sup>          |
| Coalescing Partitions                      | N/A                       | N/A                           | COALESCE PARTITION        | N/A                              | N/A <sup>1</sup>          |
| Dropping Partitions                        | DROP PARTITION            | DROP PARTITION                | N/A                       | DROP PARTITION                   | N/A <sup>1</sup>          |
| Exchanging Partitions                      | EXCHANGE PARTITION        | EXCHANGE PARTITION            | EXCHANGE PARTITION        | EXCHANGE PARTITION               | EXCHANGE PARTITION        |
| Merging Partitions                         | MERGE PARTITIONS          | MERGE PARTITIONS              | N/A                       | MERGE PARTITIONS                 | N/A <sup>1</sup>          |
| Modifying Default Attributes               | MODIFY DEFAULT ATTRIBUTES | MODIFY DEFAULT ATTRIBUTES     | MODIFY DEFAULT ATTRIBUTES | MODIFY DEFAULT ATTRIBUTES        | MODIFY DEFAULT ATTRIBUTES |
| Modifying Real Attributes of Partitions    | MODIFY PARTITION          | MODIFY PARTITION              | MODIFY PARTITION          | MODIFY PARTITION                 | MODIFY PARTITION          |
| Modifying List Partitions: Adding Values   | N/A                       | N/A                           | N/A                       | MODIFY PARTITION ... ADD VALUES  | N/A                       |
| Modifying List Partitions: Dropping Values | N/A                       | N/A                           | N/A                       | MODIFY PARTITION ... DROP VALUES | N/A                       |
| Moving Partitions                          | MOVE SUBPARTITION         | MOVE SUBPARTITION             | MOVE PARTITION            | MOVE SUBPARTITION                | MOVE PARTITION            |
| Renaming Partitions                        | RENAME PARTITION          | RENAME PARTITION              | RENAME PARTITION          | RENAME PARTITION                 | RENAME PARTITION          |
| Splitting Partitions                       | SPLIT PARTITION           | SPLIT PARTITION               | N/A                       | SPLIT PARTITION                  | N/A <sup>1</sup>          |
| Truncating Partitions                      | TRUNCATE PARTITION        | TRUNCATE PARTITION            | TRUNCATE PARTITION        | TRUNCATE PARTITION               | TRUNCATE PARTITION        |

<sup>1</sup> These operations cannot be performed on reference-partitioned tables. If performed on a parent table, then these operations cascade to all descendant tables.

**Table 4–2 ALTER TABLE Maintenance Operations for Table Subpartitions**

| Maintenance Operation                      | Composite *-Range                             | Composite *-Hash                                 | Composite *-List                              |
|--|---|--|---|
| Adding Partitions                          | MODIFY PARTITION<br>... ADD<br>SUBPARTITION   | MODIFY PARTITION<br>... ADD<br>SUBPARTITION      | MODIFY PARTITION<br>... ADD<br>SUBPARTITION   |
| Coalescing Partitions                      | N/A   | MODIFY PARTITION<br>... COALESCE<br>SUBPARTITION | N/A   |
| Dropping Partitions                        | DROP SUBPARTITION                             | N/A  | DROP SUBPARTITION                             |
| Exchanging Partitions                      | EXCHANGE<br>SUBPARTITION                      | N/A  | EXCHANGE<br>SUBPARTITION                      |
| Merging Partitions                         | MERGE<br>SUBPARTITIONS                        | N/A  | MERGE<br>SUBPARTITIONS                        |
| Modifying Default Attributes               | MODIFY DEFAULT<br>ATTRIBUTES FOR<br>PARTITION | MODIFY DEFAULT<br>ATTRIBUTES FOR<br>PARTITION    | MODIFY DEFAULT<br>ATTRIBUTES FOR<br>PARTITION |
| Modifying Real Attributes of Partitions    | MODIFY<br>SUBPARTITION                        | MODIFY<br>SUBPARTITION                           | MODIFY<br>SUBPARTITION                        |
| Modifying List Partitions: Adding Values   | N/A   | N/A  | MODIFY<br>SUBPARTITION ...<br>ADD VALUES      |
| Modifying List Partitions: Dropping Values | N/A   | N/A  | MODIFY<br>SUBPARTITION ...<br>DROP VALUES     |
| Modifying a Subpartition Template          | SET SUBPARTITION<br>TEMPLATE                  | SET SUBPARTITION<br>TEMPLATE                     | SET SUBPARTITION<br>TEMPLATE                  |
| Moving Partitions                          | MOVE SUBPARTITION                             | MOVE SUBPARTITION                                | MOVE SUBPARTITION                             |
| Renaming Partitions                        | RENAME<br>SUBPARTITION                        | RENAME<br>SUBPARTITION                           | RENAME<br>SUBPARTITION                        |
| Splitting Partitions                       | SPLIT<br>SUBPARTITION                         | N/A  | SPLIT<br>SUBPARTITION                         |
| Truncating Partitions                      | TRUNCATE<br>SUBPARTITION                      | TRUNCATE<br>SUBPARTITION                         | TRUNCATE<br>SUBPARTITION                      |

---

**Note:** The first time you use table compression to introduce a compressed partition into a partitioned table that has bitmap indexes and that currently contains only uncompressed partitions, you must do the following:

- Either drop all existing bitmap indexes and bitmap index partitions, or mark them UNUSABLE.
- Set the table compression attribute.
- Rebuild the indexes.

These actions are independent of whether any partitions contain data and of the operation that introduces the compressed partition.

This does not apply to partitioned tables with B-tree indexes or to partitioned index-organized tables.

---

Table 4–3 lists maintenance operations that can be performed on index partitions, and indicates on which type of index (global or local) they can be performed. The ALTER INDEX clause used for the maintenance operation is shown.

Global indexes do not reflect the structure of the underlying table. If partitioned, they can be partitioned by range or hash. Partitioned global indexes share some, but not all, of the partition maintenance operations that can be performed on partitioned tables.

Because local indexes reflect the underlying structure of the table, partitioning is maintained automatically when table partitions and subpartitions are affected by maintenance activity. Therefore, partition maintenance on local indexes is less necessary and there are fewer options.

**Table 4–3 ALTER INDEX Maintenance Operations for Index Partitions**

| Maintenance Operation                            | Type of Index | Type of Index Partitioning |                           |  |
|--|---------------|----------------------------|---------------------------|--|
|  |               | Range                      | Hash and List             | Composite  |
| Adding Index Partitions                          | Global        | -                          | ADD PARTITION (hash only) | -  |
|  | Local         | N/A                        | N/A                       | N/A  |
| Dropping Index Partitions                        | Global        | DROP PARTITION             | -                         | -  |
|  | Local         | N/A                        | N/A                       | N/A  |
| Modifying Default Attributes of Index Partitions | Global        | MODIFY DEFAULT ATTRIBUTES  | -                         | -  |
|  | Local         | MODIFY DEFAULT ATTRIBUTES  | MODIFY DEFAULT ATTRIBUTES | MODIFY DEFAULT ATTRIBUTES<br>MODIFY DEFAULT ATTRIBUTES FOR PARTITION |
| Modifying Real Attributes of Index Partitions    | Global        | MODIFY PARTITION           | -                         | -  |
|  | Local         | MODIFY PARTITION           | MODIFY PARTITION          | MODIFY PARTITION<br>MODIFY SUBPARTITION                              |
| Rebuilding Index Partitions                      | Global        | REBUILD PARTITION          | -                         | -  |
|  | Local         | REBUILD PARTITION          | REBUILD PARTITION         | REBUILD SUBPARTITION   |
| Renaming Index Partitions                        | Global        | RENAME PARTITION           | -                         | -  |
|  | Local         | RENAME PARTITION           | RENAME PARTITION          | RENAME PARTITION<br>RENAME SUBPARTITION                              |
| Splitting Index Partitions                       | Global        | SPLIT PARTITION            | -                         | -  |
|  | Local         | N/A                        | N/A                       | N/A  |

**Note:** The following sections discuss maintenance operations on partitioned tables. Where the usability of indexes or index partitions affected by the maintenance operation is discussed, consider the following:

- Only indexes and index partitions that are *not* empty are candidates for being marked UNUSABLE. If they are empty, the USABLE/UNUSABLE status is left unchanged.
- Only indexes or index partitions with USABLE status are updated by subsequent DML.

## Updating Indexes Automatically

Before discussing the individual maintenance operations for partitioned tables and indexes, it is important to discuss the effects of the `UPDATE INDEXES` clause that can be specified in the `ALTER TABLE` statement.

By default, many table maintenance operations on partitioned tables invalidate (mark `UNUSABLE`) the corresponding indexes or index partitions. You must then rebuild the entire index or, for a global index, each of its partitions. The database lets you override this default behavior if you specify `UPDATE INDEXES` in your `ALTER TABLE` statement for the maintenance operation. Specifying this clause tells the database to update the index at the time it executes the maintenance operation DDL statement. This provides the following benefits:

- The index is updated with the base table operation. You are not required to later and independently rebuild the index.
- The index is more highly available, because it does not get marked `UNUSABLE`. The index remains available even while the partition DDL is executing and it can access unaffected partitions in the table.
- You need not look up the names of all invalid indexes to rebuild them.

Optional clauses for local indexes let you specify physical and storage characteristics for updated local indexes and their partitions.

- You can specify physical attributes, tablespace storage, and logging for each partition of each local index. Alternatively, you can specify only the `PARTITION` keyword and let the database update the partition attributes as follows:
  - For operations on a single table partition (such as `MOVE PARTITION` and `SPLIT PARTITION`), the corresponding index partition inherits the attributes of the affected index partition. The database does not generate names for new index partitions, so any new index partitions resulting from this operation inherit their names from the corresponding new table partition.
  - For `MERGE PARTITION` operations, the resulting local index partition inherits its name from the resulting table partition and inherits its attributes from the local index.
- For a composite-partitioned index, you can specify tablespace storage for each subpartition.

**See Also:** The *update\_all\_indexes\_clause* of `ALTER TABLE` for the syntax for updating indexes

The following operations support the `UPDATE INDEXES` clause:

- `ADD PARTITION | SUBPARTITION`
- `COALESCE PARTITION | SUBPARTITION`
- `DROP PARTITION | SUBPARTITION`
- `EXCHANGE PARTITION | SUBPARTITION`
- `MERGE PARTITION | SUBPARTITION`
- `MOVE PARTITION | SUBPARTITION`
- `SPLIT PARTITION | SUBPARTITION`
- `TRUNCATE PARTITION | SUBPARTITION`



### SKIP\_UNUSABLE\_INDEXES Initialization Parameter

SKIP\_UNUSABLE\_INDEXES is an initialization parameter with a default value of TRUE. This setting disables error reporting of indexes and index partitions marked UNUSABLE. If you do not want the database to choose an alternative execution plan to avoid the unusable elements, then you should set this parameter to FALSE.

### Considerations when Updating Indexes Automatically

The following implications are worth noting when you specify UPDATE INDEXES:

- The partition DDL statement takes longer to execute, because indexes that were previously marked UNUSABLE are updated. However, you must compare this increase with the time it takes to execute DDL without updating indexes, and then rebuild all indexes. A rule of thumb is that it is faster to update indexes if the size of the partition is less than 5% of the size of the table.
- The DROP, TRUNCATE, and EXCHANGE operations are no longer fast operations. Again, you must compare the time it takes to do the DDL and then rebuild all indexes.
- When you update a table with a global index:
  - The index is updated in place. The updates to the index are logged, and redo and undo records are generated. In contrast, if you rebuild an entire global index, you can do so in NOLOGGING mode.
  - Rebuilding the entire index manually creates a more efficient index, because it is more compact with better space utilization.
- The UPDATE INDEXES clause is not supported for index-organized tables. However, the UPDATE GLOBAL INDEXES clause may be used with DROP PARTITION, TRUNCATE PARTITION, and EXCHANGE PARTITION operations to keep the global indexes on index-organized tables usable. For the remaining operations in the above list, global indexes on index-organized tables remain usable. In addition, local index partitions on index-organized tables remain usable after a MOVE PARTITION operation.

## Adding Partitions

This section describes how to manually add new partitions to a partitioned table and explains why partitions cannot be specifically added to most partitioned indexes.

### Adding a Partition to a Range-Partitioned Table

Use the ALTER TABLE ... ADD PARTITION statement to add a new partition to the "high" end (the point after the last existing partition). To add a partition at the beginning or in the middle of a table, use the SPLIT PARTITION clause.

For example, consider the table, sales, which contains data for the current month in addition to the previous 12 months. On January 1, 1999, you add a partition for January, which is stored in tablespace tsx.

```
ALTER TABLE sales
  ADD PARTITION jan99 VALUES LESS THAN ( '01-FEB-1999' )
  TABLESPACE tsx;
```

Local and global indexes associated with the range-partitioned table remain usable.

### Adding a Partition to a Hash-Partitioned Table

When you add a partition to a hash-partitioned table, the database populates the new partition with rows rehashed from an existing partition (selected by the database) as determined by the hash function. Consequently, if the table contains data, then it may take some time to add a hash partition.

The following statements show two ways of adding a hash partition to table `scubagear`. Choosing the first statement adds a new hash partition whose partition name is system generated, and which is placed in the default tablespace. The second statement also adds a new hash partition, but that partition is explicitly named `p_named` and is created in tablespace `gear5`.

```
ALTER TABLE scubagear ADD PARTITION;

ALTER TABLE scubagear
    ADD PARTITION p_named TABLESPACE gear5;
```

Indexes may be marked `UNUSABLE` as explained in the following table:

| Table Type      | Index Behavior   |
|-----------------|--|
| Regular (Heap)  | <p>Unless you specify <code>UPDATE INDEXES</code> as part of the <code>ALTER TABLE</code> statement:</p> <ul style="list-style-type: none"> <li>■ The local indexes for the new partition, and for the existing partition from which rows were redistributed, are marked <code>UNUSABLE</code> and must be rebuilt.</li> <li>■ All global indexes, or all partitions of partitioned global indexes, are marked <code>UNUSABLE</code> and must be rebuilt.</li> </ul> |
| Index-organized | <ul style="list-style-type: none"> <li>■ For local indexes, the behavior is identical to heap tables.</li> <li>■ All global indexes remain usable.</li> </ul>  |

### Adding a Partition to a List-Partitioned Table

The following statement illustrates how to add a new partition to a list-partitioned table. In this example, physical attributes and `NOLOGGING` are specified for the partition being added.

```
ALTER TABLE q1_sales_by_region
    ADD PARTITION q1_nonmainland VALUES ('HI', 'PR')
    STORAGE (INITIAL 20K NEXT 20K) TABLESPACE tbs_3
    NOLOGGING;
```

Any value in the set of literal values that describe the partition being added must not exist in any of the other partitions of the table.

You cannot add a partition to a list-partitioned table that has a default partition, but you can split the default partition. By doing so, you effectively create a new partition defined by the values that you specify, and a second partition that remains the default partition.

Local and global indexes associated with the list-partitioned table remain usable.

### Adding a Partition to an Interval-Partitioned Table

You cannot explicitly add a partition to an interval-partitioned table unless you first lock the partition, which triggers the creation of the partition. The database automatically creates a partition for an interval when data for that interval is inserted. In general, you only must explicitly create interval partitions for a partition exchange load scenario.

To change the interval for future partitions, use the `SET INTERVAL` clause of the `ALTER TABLE` statement. This clause changes the interval for partitions beyond the current highest boundary of all materialized interval partitions.

You also use the `SET INTERVAL` clause to migrate an existing range partitioned or range-\* composite partitioned table into an interval or interval-\* partitioned table. To disable the creation of future interval partitions, and effectively revert back to a range-partitioned table, then use an empty value in the `SET INTERVAL` clause. Created interval partitions are transformed into range partitions with their current high values.

To increase the interval for date ranges, then you must ensure that you are at a relevant boundary for the new interval. For example, if the highest interval partition boundary in your daily interval partitioned table `transactions` is January 30, 2007 and you want to change to a monthly partition interval, then the following statement results in an error:

```
ALTER TABLE transactions SET INTERVAL (NUMTOYMINTERVAL(1,'MONTH'));
```

```
ORA-14767: Cannot specify this interval with existing high bounds
```

You must create another daily partition with a high bound of February 1, 2007 to successfully change to a monthly interval:

```
LOCK TABLE transactions PARTITION FOR (TO_DATE('31-JAN-2007','dd-MON-yyyy') IN
SHARE MODE;
```

```
ALTER TABLE transactions SET INTERVAL (NUMTOYMINTERVAL(1,'MONTH'));
```

The lower partitions of an interval-partitioned table are range partitions. You can split range partitions to add more partitions in the range portion of the interval-partitioned table.

To disable interval partitioning on the `transactions` table, use:

```
ALTER TABLE transactions SET INTERVAL ();
```

## Adding Partitions to a Composite \*-Hash Partitioned Table

Partitions can be added at both the partition level and at the hash subpartition level.

**Adding a Partition to a \*-Hash Partitioned Table** Adding a new partition to a [range | list | interval]-hash partitioned table is as described previously. For an interval-hash partitioned table, interval partitions are automatically created. You can specify a `SUBPARTITIONS` clause that lets you add a specified number of subpartitions, or a `SUBPARTITION` clause for naming specific subpartitions. If no `SUBPARTITIONS` or `SUBPARTITION` clause is specified, then the partition inherits table level defaults for subpartitions. For an interval-hash partitioned table, you can only add subpartitions to range or interval partitions that have been materialized.

This example adds a range partition `q1_2000` to the range-hash partitioned table `sales`, which is populated with data for the first quarter of the year 2000. There are eight subpartitions stored in tablespace `tbs5`. The subpartitions cannot be set explicitly to use table compression. Subpartitions inherit the compression attribute from the partition level and are stored in a compressed form in this example:

```
ALTER TABLE sales ADD PARTITION q1_2000
VALUES LESS THAN (2000, 04, 01) COMPRESS
SUBPARTITIONS 8 STORE IN tbs5;
```

**Adding a Subpartition to a \*-Hash Partitioned Table** You use the `MODIFY PARTITION ... ADD SUBPARTITION` clause of the `ALTER TABLE` statement to add a hash subpartition to a [range | list | interval]-hash partitioned table. The newly added subpartition is populated with rows rehashed from other subpartitions of the same partition as determined by the hash function. For an interval-hash partitioned table, you can only add subpartitions to range or interval partitions that have been materialized.

In the following example, a new hash subpartition `us_loc5`, stored in tablespace `us1`, is added to range partition `locations_us` in table `diving`.

```
ALTER TABLE diving MODIFY PARTITION locations_us
    ADD SUBPARTITION us_locs5 TABLESPACE us1;
```

Index subpartitions corresponding to the added and rehashed subpartitions must be rebuilt unless you specify `UPDATE INDEXES`.

### Adding Partitions to a Composite \*-List Partitioned Table

Partitions can be added at both the partition level and at the list subpartition level.

**Adding a Partition to a \*-List Partitioned Table** Adding a new partition to a [range | list | interval]-list partitioned table is as described previously. The database automatically creates interval partitions as data for a specific interval is inserted. You can specify `SUBPARTITION` clauses for naming and providing value lists for the subpartitions. If no `SUBPARTITION` clauses are specified, then the partition inherits the subpartition template. If there is no subpartition template, then a single default subpartition is created.

The following statement adds a new partition to the `quarterly_regional_sales` table that is partitioned by the range-list method. Some new physical attributes are specified for this new partition while table-level defaults are inherited for those that are not specified.

```
ALTER TABLE quarterly_regional_sales
    ADD PARTITION q1_2000 VALUES LESS THAN (TO_DATE('1-APR-2000','DD-MON-YYYY'))
    STORAGE (INITIAL 20K NEXT 20K) TABLESPACE ts3 NOLOGGING
    (
        SUBPARTITION q1_2000_northwest VALUES ('OR', 'WA'),
        SUBPARTITION q1_2000_southwest VALUES ('AZ', 'UT', 'NM'),
        SUBPARTITION q1_2000_northeast VALUES ('NY', 'VM', 'NJ'),
        SUBPARTITION q1_2000_southeast VALUES ('FL', 'GA'),
        SUBPARTITION q1_2000_northcentral VALUES ('SD', 'WI'),
        SUBPARTITION q1_2000_southcentral VALUES ('OK', 'TX')
    );
```

**Adding a Subpartition to a \*-List Partitioned Table** You use the `MODIFY PARTITION ... ADD SUBPARTITION` clause of the `ALTER TABLE` statement to add a list subpartition to a [range | list | interval]-list partitioned table. For an interval-list partitioned table, you can only add subpartitions to range or interval partitions that have been materialized.

The following statement adds a new subpartition to the existing set of subpartitions in the range-list partitioned table `quarterly_regional_sales`. The new subpartition is created in tablespace `ts2`.

```
ALTER TABLE quarterly_regional_sales
    MODIFY PARTITION q1_1999
    ADD SUBPARTITION q1_1999_south
    VALUES ('AR','MS','AL') tablespace ts2;
```

## Adding Partitions to a Composite \*-Range Partitioned Table

Partitions can be added at both the partition level and at the range subpartition level.

**Adding a Partition to a \*-Range Partitioned Table** Adding a new partition to a [range | list | interval]-range partitioned table is as described previously. The database automatically creates interval partitions for an interval-range partitioned table when data is inserted in a specific interval. You can specify a `SUBPARTITION` clause for naming and providing ranges for specific subpartitions. If no `SUBPARTITION` clause is specified, then the partition inherits the subpartition template specified at the table level. If there is no subpartition template, then a single subpartition with a maximum value of `MAXVALUE` is created.

This example adds a range partition `p_2007_jan` to the range-range partitioned table `shipments`, which is populated with data for the shipments ordered in January 2007. There are three subpartitions. Subpartitions inherit the compression attribute from the partition level and are stored in a compressed form in this example:

```
ALTER TABLE shipments
  ADD PARTITION p_2007_jan
    VALUES LESS THAN (TO_DATE('01-FEB-2007','dd-MON-yyyy')) COMPRESS
    ( SUBPARTITION p07_jan_e VALUES LESS THAN (TO_
DATE('15-FEB-2007','dd-MON-yyyy'))
      , SUBPARTITION p07_jan_a VALUES LESS THAN (TO_
DATE('01-MAR-2007','dd-MON-yyyy'))
      , SUBPARTITION p07_jan_l VALUES LESS THAN (TO_
DATE('01-APR-2007','dd-MON-yyyy'))
    ) ;
```

**Adding a Subpartition to a \*-Range Partitioned Table** You use the `MODIFY PARTITION ... ADD SUBPARTITION` clause of the `ALTER TABLE` statement to add a range subpartition to a [range | list | interval]-range partitioned table. For an interval-range partitioned table, you can only add partitions to range or interval partitions that have been materialized.

The following example adds a range subpartition to the `shipments` table that contains all values with an `order_date` in January 2007 and a `delivery_date` on or after April 1, 2007.

```
ALTER TABLE shipments
  MODIFY PARTITION p_2007_jan
    ADD SUBPARTITION p07_jan_vl VALUES LESS THAN (MAXVALUE) ;
```

## Adding a Partition or Subpartition to a Reference-Partitioned Table

A partition or subpartition can be added to a parent table in a reference partition definition just as partitions and subpartitions can be added to a range, hash, list, or composite partitioned table. The add operation automatically cascades to any descendant reference partitioned tables. The `DEPENDENT TABLES` clause can set specific properties for dependent tables when you add partitions or subpartitions to a master table.

**See Also:** *Oracle Database SQL Language Reference*

## Adding Index Partitions

You cannot explicitly add a partition to a local index. Instead, a new partition is added to a local index only when you add a partition to the underlying table. Specifically,

when there is a local index defined on a table and you issue the ALTER TABLE statement to add a partition, a matching partition is also added to the local index. The database assigns names and default physical storage attributes to the new index partitions, but you can rename or alter them after the ADD PARTITION operation is complete.

You can effectively specify a new tablespace for an index partition in an ADD PARTITION operation by first modifying the default attributes for the index. For example, assume that a local index, q1\_sales\_by\_region\_locix, was created for list partitioned table q1\_sales\_by\_region. If before adding the new partition q1\_nonmainland, as shown in ["Adding a Partition to a List-Partitioned Table"](#) on page 4-36, you had issued the following statement, then the corresponding index partition would be created in tablespace tbs\_4.

```
ALTER INDEX q1_sales_by_region_locix
    MODIFY DEFAULT ATTRIBUTES TABLESPACE tbs_4;
```

Otherwise, it would be necessary for you to use the following statement to move the index partition to tbs\_4 after adding it:

```
ALTER INDEX q1_sales_by_region_locix
    REBUILD PARTITION q1_nonmainland TABLESPACE tbs_4;
```

You can add a partition to a hash-partitioned global index using the ADD PARTITION syntax of ALTER INDEX. The database adds hash partitions and populates them with index entries rehashed from an existing hash partition of the index, as determined by the hash function. The following statement adds a partition to the index hgidx shown in ["Creating a Hash-Partitioned Global Index"](#) on page 4-6:

```
ALTER INDEX hgidx ADD PARTITION p5;
```

You cannot add a partition to a range-partitioned global index, because the highest partition always has a partition bound of MAXVALUE. To add a new highest partition, use the ALTER INDEX ... SPLIT PARTITION statement.

## Coalescing Partitions

Coalescing partitions is a way of reducing the number of partitions in a hash-partitioned table or index, or the number of subpartitions in a \*-hash partitioned table. When a hash partition is coalesced, its contents are redistributed into one or more remaining partitions determined by the hash function. The specific partition that is coalesced is selected by the database, and is dropped after its contents have been redistributed. If you coalesce a hash partition or subpartition in the parent table of a reference-partitioned table definition, then the reference-partitioned table automatically inherits the new partitioning definition.

Index partitions may be marked UNUSABLE as explained in the following table:

| Table Type     | Index Behavior   |
|----------------|--|
| Regular (Heap) | <p>Unless you specify UPDATE INDEXES as part of the ALTER TABLE statement:</p> <ul style="list-style-type: none"> <li>■ Any local index partition corresponding to the selected partition is also dropped. Local index partitions corresponding to the one or more absorbing partitions are marked UNUSABLE and must be rebuilt.</li> <li>■ All global indexes, or all partitions of partitioned global indexes, are marked UNUSABLE and must be rebuilt.</li> </ul> |

| Table Type      | Index Behavior   |
|-----------------|--|
| Index-organized | <ul style="list-style-type: none"> <li>■ Some local indexes are marked UNUSABLE as noted for heap indexes.</li> <li>■ All global indexes remain usable.</li> </ul> |

### Coalescing a Partition in a Hash-Partitioned Table

The ALTER TABLE ... COALESCE PARTITION statement is used to coalesce a partition in a hash-partitioned table. The following statement reduces by one the number of partitions in a table by coalescing a partition.

```
ALTER TABLE ouu1
    COALESCE PARTITION;
```

### Coalescing a Subpartition in a \*-Hash Partitioned Table

The following statement distributes the contents of a subpartition of partition us\_locations into one or more remaining subpartitions (determined by the hash function) of the same partition. Note that for an interval-partitioned table, you can only coalesce hash subpartitions of materialized range or interval partitions. Basically, this operation is the inverse of the MODIFY PARTITION ... ADD SUBPARTITION clause discussed in ["Adding a Subpartition to a \\*-Hash Partitioned Table"](#) on page 4-38.

```
ALTER TABLE diving MODIFY PARTITION us_locations
    COALESCE SUBPARTITION;
```

### Coalescing Hash-partitioned Global Indexes

You can instruct the database to reduce by one the number of index partitions in a hash-partitioned global index using the COALESCE PARTITION clause of ALTER INDEX. The database selects the partition to coalesce based on the requirements of the hash partition. The following statement reduces by one the number of partitions in the hgidx index, created in ["Creating a Hash-Partitioned Global Index"](#) on page 4-6:

```
ALTER INDEX hgidx COALESCE PARTITION;
```

## Dropping Partitions

You can drop partitions from range, interval, list, or composite \*- [range | list] partitioned tables. For interval partitioned tables, you can only drop range or interval partitions that have been materialized. For hash-partitioned tables, or hash subpartitions of composite \*-hash partitioned tables, you must perform a coalesce operation instead.

You cannot drop a partition from a reference-partitioned table. Instead, a drop operation on a parent table cascades to all descendant tables.

### Dropping Table Partitions

Use one of the following statements to drop a table partition or subpartition:

- ALTER TABLE ... DROP PARTITION to drop a table partition
- ALTER TABLE ... DROP SUBPARTITION to drop a subpartition of a composite \*- [range | list] partitioned table

To preserve the data in the partition, then use the MERGE PARTITION statement instead of the DROP PARTITION statement.

If local indexes are defined for the table, then this statement also drops the matching partition or subpartitions from the local index. All global indexes, or all partitions of partitioned global indexes, are marked `UNUSABLE` unless either of the following is true:

- You specify `UPDATE INDEXES` (Cannot be specified for index-organized tables. Use `UPDATE GLOBAL INDEXES` instead.)
- The partition being dropped or its subpartitions are empty

---

---

**Note:**

- You cannot drop the only partition in a table. Instead, you must drop the table.
  - You cannot drop the highest range partition in the range-partitioned section of an interval-partitioned or interval-\* composite partitioned table.
- 
- 

The following sections contain some scenarios for dropping table partitions.

**Dropping a Partition from a Table that Contains Data and Global Indexes** If the partition contains data and one or more global indexes are defined on the table, then use one of the following methods to drop the table partition.

**Method 1**

Leave the global indexes in place during the `ALTER TABLE ... DROP PARTITION` statement. Afterward, you must rebuild any global indexes (whether partitioned or not) because the index (or index partitions) has been marked `UNUSABLE`. The following statements provide an example of dropping partition `dec98` from the `sales` table, then rebuilding its global nonpartitioned index.

```
ALTER TABLE sales DROP PARTITION dec98;
ALTER INDEX sales_area_ix REBUILD;
```

If index `sales_area_ix` were a range-partitioned global index, then all partitions of the index would require rebuilding. Further, it is not possible to rebuild all partitions of an index in one statement. You must issue a separate `REBUILD` statement for each partition in the index. The following statements rebuild the index partitions `jan99_ix`, `feb99_ix`, `mar99_ix`, ..., `dec99_ix`.

```
ALTER INDEX sales_area_ix REBUILD PARTITION jan99_ix;
ALTER INDEX sales_area_ix REBUILD PARTITION feb99_ix;
ALTER INDEX sales_area_ix REBUILD PARTITION mar99_ix;
...
ALTER INDEX sales_area_ix REBUILD PARTITION dec99_ix;
```

This method is most appropriate for large tables where the partition being dropped contains a significant percentage of the total data in the table.

**Method 2**

Issue the `DELETE` statement to delete all rows from the partition before you issue the `ALTER TABLE ... DROP PARTITION` statement. The `DELETE` statement updates the global indexes.

For example, to drop the first partition, issue the following statements:

```
DELETE FROM sales partition (dec98);
```



```
ALTER TABLE sales DROP PARTITION dec98;
```

This method is most appropriate for small tables, or for large tables when the partition being dropped contains a small percentage of the total data in the table.

### Method 3

Specify `UPDATE INDEXES` in the `ALTER TABLE` statement. Doing so causes the global index to be updated at the time the partition is dropped.

```
ALTER TABLE sales DROP PARTITION dec98
    UPDATE INDEXES;
```

**Dropping a Partition Containing Data and Referential Integrity Constraints** If a partition contains data and the table has referential integrity constraints, choose either of the following methods to drop the table partition. This table has a local index only, so it is not necessary to rebuild any indexes.

### Method 1

If there is no data referencing the data in the partition you want to drop, then you can disable the integrity constraints on the referencing tables, issue the `ALTER TABLE ... DROP PARTITION` statement, then re-enable the integrity constraints.

This method is most appropriate for large tables where the partition being dropped contains a significant percentage of the total data in the table. If there is still data referencing the data in the partition to be dropped, then ensure the removal of all the referencing data to be able to re-enable the referential integrity constraints.

### Method 2

If there is data in the referencing tables, then you can issue the `DELETE` statement to delete all rows from the partition before you issue the `ALTER TABLE ... DROP PARTITION` statement. The `DELETE` statement enforces referential integrity constraints, and also fires triggers and generates redo and undo logs. The delete can succeed if you created the constraints with the `ON DELETE CASCADE` option, deleting all rows from referencing tables as well.

```
DELETE FROM sales partition (dec94);
ALTER TABLE sales DROP PARTITION dec94;
```

This method is most appropriate for small tables or for large tables when the partition being dropped contains a small percentage of the total data in the table.

## Dropping Interval Partitions

You can drop interval partitions in an interval-partitioned table. This operation drops the data for the interval only and leave the interval definition in tact. If data is inserted in the interval just dropped, then the database again creates an interval partition.

You can also drop range partitions in an interval-partitioned table. The rules for dropping a range partition in an interval-partitioned table follow the rules for dropping a range partition in a range-partitioned table. If you drop a range partition in the middle of a set of range partitions, then the lower boundary for the next range partition shifts to the lower boundary of the range partition you just dropped. You cannot drop the highest range partition in the range-partitioned section of an interval-partitioned table.

The following example drops the September 2007 interval partition from the `sales` table. There are only local indexes so no indexes are invalidated.

```
ALTER TABLE sales DROP PARTITION FOR(TO_DATE('01-SEP-2007','dd-MON-yyyy'));
```

### Dropping Index Partitions

You cannot explicitly drop a partition of a local index. Instead, local index partitions are dropped only when you drop a partition from the underlying table.

If a global index partition is empty, then you can explicitly drop it by issuing the `ALTER INDEX ... DROP PARTITION` statement. But, if a global index partition contains data, then dropping the partition causes the next highest partition to be marked `UNUSABLE`. For example, you would like to drop the index partition `P1`, and `P2` is the next highest partition. You must issue the following statements:

```
ALTER INDEX npr DROP PARTITION P1;  
ALTER INDEX npr REBUILD PARTITION P2;
```

---

---

**Note:** You cannot drop the highest partition in a global index.

---

---

### Exchanging Partitions

You can convert a partition (or subpartition) into a nonpartitioned table, and a nonpartitioned table into a partition (or subpartition) of a partitioned table by exchanging their data segments. You can also convert a hash-partitioned table into a partition of a composite `*-hash` partitioned table, or convert the partition of a composite `*-hash` partitioned table into a hash-partitioned table. Similarly, you can convert a `[range | list]-partitioned` table into a partition of a composite `*-[range | list]` partitioned table, or convert a partition of the composite `*-[range | list]` partitioned table into a `[range | list]-partitioned` table.

Exchanging table partitions is most useful when you have an application using nonpartitioned tables to convert to partitions of a partitioned table. For example, in data warehousing environments, exchanging partitions facilitates high-speed data loading of new, incremental data into an existing partitioned table. Generically, OLTP and data warehousing environments benefit from exchanging old data partitions out of a partitioned table. The data is purged from the partitioned table without actually being deleted and can be archived separately afterward.

When you exchange partitions, logging attributes are preserved. You can optionally specify if local indexes are also to be exchanged (`INCLUDING INDEXES` clause), and if rows are to be validated for proper mapping (`WITH VALIDATION` clause).

---

**Note:** When you specify `WITHOUT VALIDATION` for the exchange partition operation, this is normally a fast operation because it involves only data dictionary updates. However, if the table or partitioned table involved in the exchange operation has a primary key or unique constraint enabled, then the exchange operation is performed as if `WITH VALIDATION` were specified to maintain the integrity of the constraints.

To avoid the overhead of this validation activity, issue the following statement for each constraint before doing the exchange partition operation:

```
ALTER TABLE table_name
    DISABLE CONSTRAINT constraint_name KEEP INDEX
```

Then, enable the constraints after the exchange.

If you specify `WITHOUT VALIDATION`, then you must ensure that the data to be exchanged belongs in the partition you exchange.

---

Unless you specify `UPDATE INDEXES`, the database marks `UNUSABLE` the global indexes or all global index partitions on the table whose partition is being exchanged. Global indexes or global index partitions on the table being exchanged remain invalidated. (You cannot use `UPDATE INDEXES` for index-organized tables. Use `UPDATE GLOBAL INDEXES` instead.)

For more information, refer to "[Viewing Information About Partitioned Tables and Indexes](#)" on page 4-75.

### Exchanging a Range, Hash, or List Partition

To exchange a partition of a range, hash, or list-partitioned table with a nonpartitioned table, or the reverse, use the `ALTER TABLE ... EXCHANGE PARTITION` statement. An example of converting a partition into a nonpartitioned table follows. In this example, table `stocks` can be range, hash, or list partitioned.

```
ALTER TABLE stocks
    EXCHANGE PARTITION p3 WITH TABLE stock_table_3;
```

### Exchanging a Partition of an Interval Partitioned Table

You can exchange interval partitions in an interval-partitioned table. However, you must ensure that the interval partition has been created before you can exchange the partition. You can let the database create the partition by locking the interval partition.

The following example shows a partition exchange for the `interval_sales` table, interval-partitioned using monthly partitions as of January 1, 2004. This example shows how to add data for June 2007 to the table using partition exchange load. Assume there are only local indexes on the `interval_sales` table, and equivalent indexes have been created on the `interval_sales_june_2007` table.

```
LOCK TABLE interval_sales
PARTITION FOR (TO_DATE('01-JUN-2007', 'dd-MON-yyyy'))
IN SHARE MODE;

ALTER TABLE interval_sales
EXCHANGE PARTITION FOR (TO_DATE('01-JUN-2007', 'dd-MON-yyyy'))
WITH TABLE interval_sales_jun_2007
INCLUDING INDEXES;
```

Note the use of the `FOR` syntax to identify a partition that was system-generated. The partition name can be used by querying the `*_TAB_PARTITIONS` data dictionary view to find out the system-generated partition name.

### Exchanging a Partition of a Reference Partitioned Table

You can exchange partitions in a reference-partitioned table, but you must ensure that data you reference is available in the respective partition in the parent table.

The following example shows a partition exchange load scenario for the range-partitioned `orders` table, and the reference partitioned `order_items` table. Note that the data in the `order_items_dec_2006` table only contains order item data for orders with an `order_date` in December 2006.

```
ALTER TABLE orders
EXCHANGE PARTITION p_2006_dec
WITH TABLE orders_dec_2006
UPDATE GLOBAL INDEXES;

ALTER TABLE order_items_dec_2006
ADD CONSTRAINT order_items_dec_2006_fk
FOREIGN KEY (order_id)
REFERENCES orders(order_id) ;

ALTER TABLE order_items
EXCHANGE PARTITION p_2006_dec
WITH TABLE order_items_dec_2006;
```

Note that you must use the `UPDATE GLOBAL INDEXES` or `UPDATE INDEXES` on the exchange partition of the parent table in order for the primary key index to remain usable. Note also that you must create or enable the foreign key constraint on the `order_items_dec_2006` table in order for the partition exchange on the reference-partitioned table to succeed.

### Exchanging a Partition of a Table with Virtual Columns

You can exchange partitions in the presence of virtual columns. In order for a partition exchange on a partitioned table with virtual columns to succeed, you must create a table that matches the definition of all non-virtual columns in a single partition of the partitioned table. You do not need to include the virtual column definitions, unless constraints or indexes have been defined on the virtual column.

In this case, you must include the virtual column definition to match the partitioned table's constraint and index definitions. This scenario also applies to virtual column-based partitioned tables.

### Exchanging a Hash-Partitioned Table with a \*-Hash Partition

In this example, you are exchanging a whole hash-partitioned table, with all of its partitions, with the partition of a \*-hash partitioned table and all of its hash subpartitions. The following example illustrates this concept for a range-hash partitioned table.

First, create a hash-partitioned table:

```
CREATE TABLE t1 (i NUMBER, j NUMBER)
PARTITION BY HASH(i)
(PARTITION p1, PARTITION p2);
```

Populate the table, then create a range-hash partitioned table as shown:

```

CREATE TABLE t2 (i NUMBER, j NUMBER)
PARTITION BY RANGE(j)
SUBPARTITION BY HASH(i)
(PARTITION p1 VALUES LESS THAN (10)
SUBPARTITION t2_p1s1
SUBPARTITION t2_p1s2,
PARTITION p2 VALUES LESS THAN (20)
SUBPARTITION t2_p2s1
SUBPARTITION t2_p2s2));

```

It is important that the partitioning key in table `t1` equals the subpartitioning key in table `t2`.

To migrate the data in `t1` to `t2`, and validate the rows, use the following statement:

```

ALTER TABLE t2 EXCHANGE PARTITION p1 WITH TABLE t1
WITH VALIDATION;

```

### Exchanging a Subpartition of a \*-Hash Partitioned Table

Use the `ALTER TABLE ... EXCHANGE SUBPARTITION` statement to convert a hash subpartition of a \*-hash partitioned table into a nonpartitioned table, or the reverse. The following example converts the subpartition `q3_1999_s1` of table `sales` into the nonpartitioned table `q3_1999`. Local index partitions are exchanged with corresponding indexes on `q3_1999`.

```

ALTER TABLE sales EXCHANGE SUBPARTITION q3_1999_s1
WITH TABLE q3_1999 INCLUDING INDEXES;

```

### Exchanging a List-Partitioned Table with a \*-List Partition

The semantics of the `ALTER TABLE ... EXCHANGE PARTITION` statement are the same as described previously in ["Exchanging a Hash-Partitioned Table with a \\*-Hash Partition"](#) on page 4-46. The following example shows an exchange partition scenario for a list-list partitioned table.

```

CREATE TABLE customers_apac
( id          NUMBER
, name        VARCHAR2(50)
, email       VARCHAR2(100)
, region      VARCHAR2(4)
, credit_rating VARCHAR2(1)
)
PARTITION BY LIST (credit_rating)
( PARTITION poor VALUES ('P')
, PARTITION mediocre VALUES ('C')
, PARTITION good VALUES ('G')
, PARTITION excellent VALUES ('E')
);

```

Populate the table with APAC customers. Then create a list-list partitioned table:

```

CREATE TABLE customers
( id          NUMBER
, name        VARCHAR2(50)
, email       VARCHAR2(100)
, region      VARCHAR2(4)
, credit_rating VARCHAR2(1)
)
PARTITION BY LIST (region)
SUBPARTITION BY LIST (credit_rating)
SUBPARTITION TEMPLATE

```

```
( SUBPARTITION poor VALUES ('P')
, SUBPARTITION mediocre VALUES ('C')
, SUBPARTITION good VALUES ('G')
, SUBPARTITION excellent VALUES ('E')
)
(PARTITION americas VALUES ('AMER')
, PARTITION emea VALUES ('EMEA')
, PARTITION apac VALUES ('APAC')
);
```

It is important that the partitioning key in the `customers_apac` table matches the subpartitioning key in the `customers` table.

Next, exchange the `apac` partition.

```
ALTER TABLE customers
EXCHANGE PARTITION apac
WITH TABLE customers_apac
WITH VALIDATION;
```

### Exchanging a Subpartition of a \*-List Partitioned Table

The semantics of the `ALTER TABLE ... EXCHANGE SUBPARTITION` are the same as described previously in ["Exchanging a Subpartition of a \\*-Hash Partitioned Table"](#) on page 4-47.

### Exchanging a Range-Partitioned Table with a \*-Range Partition

The semantics of the `ALTER TABLE ... EXCHANGE PARTITION` statement are the same as described previously in ["Exchanging a Hash-Partitioned Table with a \\*-Hash Partition"](#) on page 4-46. The example below shows the `orders` table, which is interval partitioned by `order_date`, and subpartitioned by range on `order_total`. The example shows how to exchange a single monthly interval with a range-partitioned table.

```
CREATE TABLE orders_mar_2007
( id          NUMBER
, cust_id     NUMBER
, order_date  DATE
, order_total NUMBER
)
PARTITION BY RANGE (order_total)
( PARTITION p_small VALUES LESS THAN (1000)
, PARTITION p_medium VALUES LESS THAN (10000)
, PARTITION p_large VALUES LESS THAN (100000)
, PARTITION p_extraordinary VALUES LESS THAN (MAXVALUE)
);
```

Populate the table with orders for March 2007. Then create an interval-range partitioned table:

```
CREATE TABLE orders
( id          NUMBER
, cust_id     NUMBER
, order_date  DATE
, order_total NUMBER
)
PARTITION BY RANGE (order_date) INTERVAL (NUMTOYMINTERVAL(1,'MONTH'))
SUBPARTITION BY RANGE (order_total)
SUBPARTITION TEMPLATE
```

```

( SUBPARTITION p_small VALUES LESS THAN (1000)
, SUBPARTITION p_medium VALUES LESS THAN (10000)
, SUBPARTITION p_large VALUES LESS THAN (100000)
, SUBPARTITION p_extraordinary VALUES LESS THAN (MAXVALUE)
)
(PARTITION p_before_2007 VALUES LESS THAN (TO_DATE('01-JAN-2007','dd-
MON-yyyy')));

```

It is important that the partitioning key in the `orders_mar_2007` table matches the subpartitioning key in the `orders` table.

Next, exchange the partition. Note that because an interval partition is to be exchanged, the partition is first locked to ensure that the partition is created.

```

LOCK TABLE orders PARTITION FOR (TO_DATE('01-MAR-2007','dd-MON-yyyy'))
IN SHARE MODE;

```

```

ALTER TABLE orders
EXCHANGE PARTITION
FOR (TO_DATE('01-MAR-2007','dd-MON-yyyy'))
WITH TABLE orders_mar_2007
WITH VALIDATION;

```

### Exchanging a Subpartition of a \*-Range Partitioned Table

The semantics of the `ALTER TABLE ... EXCHANGE SUBPARTITION` are the same as described previously in ["Exchanging a Subpartition of a \\*-Hash Partitioned Table"](#) on page 4-47.

## Merging Partitions

Use the `ALTER TABLE ... MERGE PARTITION` statement to merge the contents of two partitions into one partition. The two original partitions are dropped, as are any corresponding local indexes.

You cannot use this statement for a hash-partitioned table or for hash subpartitions of a composite \*-hash partitioned table.

You cannot merge partitions for a reference-partitioned table. Instead, a merge operation on a parent table cascades to all descendant tables. However, you can use the `DEPENDENT TABLES` clause to set specific properties for dependent tables when you issue the merge operation on the master table to merge partitions or subpartitions.

**See Also:** *Oracle Database SQL Language Reference*

If the involved partitions or subpartitions contain data, then indexes may be marked `UNUSABLE` as explained in the following table:

| Table Type     | Index Behavior   |
|----------------|--|
| Regular (Heap) | <p>Unless you specify <code>UPDATE INDEXES</code> as part of the <code>ALTER TABLE</code> statement:</p> <ul style="list-style-type: none"> <li>■ The database marks <code>UNUSABLE</code> all resulting corresponding local index partitions or subpartitions.</li> <li>■ Global indexes, or all partitions of partitioned global indexes, are marked <code>UNUSABLE</code> and must be rebuilt.</li> </ul> |

| Table Type      | Index Behavior   |
|-----------------|--|
| Index-organized | <ul style="list-style-type: none"> <li>■ The database marks UNUSABLE all resulting corresponding local index partitions.</li> <li>■ All global indexes remain usable.</li> </ul> |

## Merging Range Partitions

You are allowed to merge the contents of two adjacent range partitions into one partition. Nonadjacent range partitions cannot be merged. The resulting partition inherits the higher upper bound of the two merged partitions.

One reason for merging range partitions is to keep historical data online in larger partitions. For example, you can have daily partitions, with the oldest partition rolled up into weekly partitions, which can then be rolled up into monthly partitions, and so on.

The following scripts create an example of merging range partitions.

First, create a partitioned table and create local indexes.

```
-- Create a Table with four partitions each on its own tablespace
-- Partitioned by range on the data column.
--
CREATE TABLE four_seasons
(
    one DATE,
    two VARCHAR2(60),
    three NUMBER
)
PARTITION BY RANGE ( one )
(
    PARTITION quarter_one
        VALUES LESS THAN ( TO_DATE('01-apr-1998','dd-mon-yyyy'))
        TABLESPACE quarter_one,
    PARTITION quarter_two
        VALUES LESS THAN ( TO_DATE('01-jul-1998','dd-mon-yyyy'))
        TABLESPACE quarter_two,
    PARTITION quarter_three
        VALUES LESS THAN ( TO_DATE('01-oct-1998','dd-mon-yyyy'))
        TABLESPACE quarter_three,
    PARTITION quarter_four
        VALUES LESS THAN ( TO_DATE('01-jan-1999','dd-mon-yyyy'))
        TABLESPACE quarter_four
);
--
-- Create local PREFIXED index on Four_Seasons
-- Prefixed because the leftmost columns of the index match the
-- Partitioning key
--
CREATE INDEX i_four_seasons_l ON four_seasons ( one,two )
LOCAL (
    PARTITION i_quarter_one TABLESPACE i_quarter_one,
    PARTITION i_quarter_two TABLESPACE i_quarter_two,
    PARTITION i_quarter_three TABLESPACE i_quarter_three,
    PARTITION i_quarter_four TABLESPACE i_quarter_four
);
```

Next, merge partitions.

```
--
```



```
-- Merge the first two partitions
--
ALTER TABLE four_seasons
MERGE PARTITIONS quarter_one, quarter_two INTO PARTITION quarter_two
UPDATE INDEXES;
```

If you omit the `UPDATE INDEXES` clause from the preceding statement, then you must rebuild the local index for the affected partition.

```
-- Rebuild index for quarter_two, which has been marked unusable
-- because it has not had all of the data from Q1 added to it.
-- Rebuilding the index corrects this.
--
ALTER TABLE four_seasons MODIFY PARTITION
quarter_two REBUILD UNUSABLE LOCAL INDEXES;
```

### Merging Interval Partitions

The contents of two adjacent interval partitions can be merged into one partition. Nonadjacent interval partitions cannot be merged. The first interval partition can also be merged with the highest range partition. The resulting partition inherits the higher upper bound of the two merged partitions.

Merging interval partitions always results in the transition point being moved to the higher upper bound of the two merged partitions. This result is that the range section of the interval-partitioned table is extended to the upper bound of the two merged partitions. Any materialized interval partitions with boundaries lower than the newly merged partition is automatically be converted into range partitions, with their upper boundaries defined by the upper boundaries of their intervals.

For example, consider the following interval-partitioned table transactions:

```
CREATE TABLE transactions
( id          NUMBER
, transaction_date DATE
, value       NUMBER
)
PARTITION BY RANGE (transaction_date)
INTERVAL (NUMTODSINTERVAL(1,'DAY'))
( PARTITION p_before_2007 VALUES LESS THAN (TO_
DATE('01-JAN-2007','dd-MON-yyyy')));
```

Insert data into the interval section of the table. This creates the interval partitions for these days. Note that January 15, 2007 and January 16, 2007 are stored in adjacent interval partitions.

```
INSERT INTO transactions VALUES (1,TO_DATE('15-JAN-2007','dd-MON-yyyy'),100);
INSERT INTO transactions VALUES (2,TO_DATE('16-JAN-2007','dd-MON-yyyy'),600);
INSERT INTO transactions VALUES (3,TO_DATE('30-JAN-2007','dd-MON-yyyy'),200);
```

Next, merge the two adjacent interval partitions. The new partition again has a system-generated name.

```
ALTER TABLE transactions
MERGE PARTITIONS FOR (TO_DATE('15-JAN-2007','dd-MON-yyyy'))
, FOR (TO_DATE('16-JAN-2007','dd-MON-yyyy'));
```

The transition point for the `transactions` table has now moved to January 17, 2007. The range section of the interval-partitioned table contains two range partitions: values less than January 1, 2007 and values less than January 17, 2007. Values greater than January 17, 2007 fall in the interval portion of the interval-partitioned table.

## Merging List Partitions

When you merge list partitions, the partitions being merged can be any two partitions. They do not need to be adjacent, as for range partitions, because list partitioning does not assume any order for partitions. The resulting partition consists of all of the data from the original two partitions. If you merge a default list partition with any other partition, the resulting partition is the default partition.

The following statement merges two partitions of a table partitioned using the list method into a partition that inherits all of its attributes from the table-level default attributes. `MAXEXTENTS` is specified in the statement.

```
ALTER TABLE q1_sales_by_region
  MERGE PARTITIONS q1_northcentral, q1_southcentral
  INTO PARTITION q1_central
  STORAGE(MAXEXTENTS 20);
```

The value lists for the two original partitions were specified as:

```
PARTITION q1_northcentral VALUES ('SD', 'WI')
PARTITION q1_southcentral VALUES ('OK', 'TX')
```

The resulting `sales_west` partition value list comprises the set that represents the union of these two partition value lists, or specifically:

```
('SD', 'WI', 'OK', 'TX')
```

## Merging \*-Hash Partitions

When you merge \*-hash partitions, the subpartitions are rehashed into the number of subpartitions specified by `SUBPARTITIONS n` or the `SUBPARTITION` clause. If neither is included, table-level defaults are used.

Note that the inheritance of properties is different when a \*-hash partition is split (discussed in "[Splitting a \\*-Hash Partition](#)" on page 4-66), as opposed to when two \*-hash partitions are merged. When a partition is split, the new partitions can inherit properties from the original partition because there is only one parent. However, when partitions are merged, properties must be inherited from the table level.

For interval-hash partitioned tables, you can only merge two adjacent interval partitions, or the highest range partition with the first interval partition. As described in "[Merging Interval Partitions](#)" on page 4-51, the transition point moves when you merge intervals in an interval-hash partitioned table.

The following example merges two range-hash partitions:

```
ALTER TABLE all_seasons
  MERGE PARTITIONS quarter_1, quarter_2 INTO PARTITION quarter_2
  SUBPARTITIONS 8;
```

## Merging \*-List Partitions

Partitions can be merged at the partition level and subpartitions can be merged at the list subpartition level.

**Merging Partitions in a \*-List Partitioned Table** Merging partitions in a \*-list partitioned table is as described previously in "[Merging Range Partitions](#)" on page 4-50. However, when you merge two \*-list partitions, the resulting new partition inherits the subpartition descriptions from the subpartition template, if one exists. If no subpartition template exists, then a single default subpartition is created for the new partition.

For interval-list partitioned tables, you can only merge two adjacent interval partitions, or the highest range partition with the first interval partition. As described in ["Merging Interval Partitions"](#) on page 4-51, the transition point moves when you merge intervals in an interval-list partitioned table.

The following statement merges two partitions in the range-list partitioned `stripe_regional_sales` table. A subpartition template exists for the table.

```
ALTER TABLE stripe_regional_sales
  MERGE PARTITIONS q1_1999, q2_1999 INTO PARTITION q1_q2_1999
  STORAGE (MAXEXTENTS 20);
```

Some new physical attributes are specified for this new partition while table-level defaults are inherited for those that are not specified. The new resulting partition `q1_q2_1999` inherits the high-value bound of the partition `q2_1999` and the subpartition value-list descriptions from the subpartition template description of the table.

The data in the resulting partitions consists of data from both the partitions. However, there may be cases where the database returns an error. This can occur because data may map out of the new partition when both of the following conditions exist:

- Some literal values of the merged subpartitions were not included in the subpartition template.
- The subpartition template does not contain a default partition definition.

This error condition can be eliminated by always specifying a default partition in the default subpartition template.

**Merging Subpartitions in a \*-List Partitioned Table** You can merge the contents of any two arbitrary list subpartitions belonging to the *same* partition. The resulting subpartition value-list descriptor includes all of the literal values in the value lists for the partitions being merged.

The following statement merges two subpartitions of a table partitioned using range-list method into a new subpartition located in tablespace `ts4`:

```
ALTER TABLE quarterly_regional_sales
  MERGE SUBPARTITIONS q1_1999_northwest, q1_1999_southwest
  INTO SUBPARTITION q1_1999_west
  TABLESPACE ts4;
```

The value lists for the original two partitions were:

- Subpartition `q1_1999_northwest` was described as ('WA', 'OR')
- Subpartition `q1_1999_southwest` was described as ('AZ', 'NM', 'UT')

The resulting subpartition value list comprises the set that represents the union of these two subpartition value lists:

- Subpartition `q1_1999_west` has a value list described as ('WA', 'OR', 'AZ', 'NM', 'UT')

The tablespace in which the resulting subpartition is located and the subpartition attributes are determined by the partition-level default attributes, except for those specified explicitly. If any of the existing subpartition names are being reused, then the new subpartition inherits the subpartition attributes of the subpartition whose name is being reused.

## Merging \*-Range Partitions

Partitions can be merged at the partition level and subpartitions can be merged at the range subpartition level.

**Merging Partitions in a \*-Range Partitioned Table** Merging partitions in a \*-range partitioned table is as described previously in ["Merging Range Partitions"](#) on page 4-50. However, when you merge two \*-range partitions, the resulting new partition inherits the subpartition descriptions from the subpartition template, if one exists. If no subpartition template exists, then a single subpartition with an upper boundary MAXVALUE is created for the new partition.

For interval-range partitioned tables, you can only merge two adjacent interval partitions, or the highest range partition with the first interval partition. As described in ["Merging Interval Partitions"](#) on page 4-51, the transition point moves when you merge intervals in an interval-range partitioned table.

The following statement merges two partitions in the monthly interval-range partitioned `orders` table. A subpartition template exists for the table.

```
ALTER TABLE orders
MERGE PARTITIONS FOR (TO_DATE('01-MAR-2007', 'dd-MON-yyyy')),
FOR (TO_DATE('01-APR-2007', 'dd-MON-yyyy'))
INTO PARTITION p_pre_may_2007;
```

If the March 2007 and April 2007 partitions were still in the interval section of the interval-range partitioned table, then the merge operation would move the transition point to May 1, 2007.

The subpartitions for partition `p_pre_may_2007` inherit their properties from the subpartition template. The data in the resulting partitions consists of data from both the partitions. However, there may be cases where the database returns an error. This can occur because data may map out of the new partition when both of the following conditions are met:

- Some range values of the merged subpartitions were not included in the subpartition template.
- The subpartition template does not have a subpartition definition with a MAXVALUE upper boundary.

The error condition can be eliminated by always specifying a subpartition with an upper boundary of MAXVALUE in the subpartition template.

## Modifying Default Attributes

You can modify the default attributes of a table, or for a partition of a composite partitioned table. When you modify default attributes, the new attributes affect only future partitions, or subpartitions, that are created. The default values can still be specifically overridden when creating a new partition or subpartition. You can modify the default attributes of a reference-partitioned table.

### Modifying Default Attributes of a Table

You can modify the default attributes that are inherited for range, hash, list, interval, or reference partitions using the `MODIFY DEFAULT ATTRIBUTES` clause of `ALTER TABLE`.

For hash-partitioned tables, only the `TABLESPACE` attribute can be modified.

## Modifying Default Attributes of a Partition

To modify the default attributes inherited when creating subpartitions, use the `ALTER TABLE ... MODIFY DEFAULT ATTRIBUTES FOR PARTITION`. The following statement modifies the `TABLESPACE` in which future subpartitions of partition `p1` in range-hash partitioned table `emp` reside.

```
ALTER TABLE emp
    MODIFY DEFAULT ATTRIBUTES FOR PARTITION p1 TABLESPACE ts1;
```

Because all subpartitions of a range-hash partitioned table must share the same attributes, except `TABLESPACE`, it is the only attribute that can be changed.

You cannot modify default attributes of interval partitions that have not yet been created. To change the way in which future subpartitions in an interval-partitioned table are created, then you must modify the subpartition template.

## Modifying Default Attributes of Index Partitions

In similar fashion to table partitions, you can alter the default attributes that are inherited by partitions of a range-partitioned global index, or local index partitions of partitioned tables. For this you use the `ALTER INDEX ... MODIFY DEFAULT ATTRIBUTES` statement. Use the `ALTER INDEX ... MODIFY DEFAULT ATTRIBUTES FOR PARTITION` statement if you are altering default attributes to be inherited by subpartitions of a composite partitioned table.

## Modifying Real Attributes of Partitions

It is possible to modify attributes of an existing partition of a table or index.

You cannot change the `TABLESPACE` attribute. Use `ALTER TABLE ... MOVE PARTITION/SUBPARTITION` to move a partition or subpartition to a new tablespace.

### Modifying Real Attributes for a Range or List Partition

Use the `ALTER TABLE ... MODIFY PARTITION` statement to modify existing attributes of a range partition or list partition. You can modify segment attributes (except `TABLESPACE`), or you can allocate and deallocate extents, mark local index partitions `UNUSABLE`, or rebuild local indexes that have been marked `UNUSABLE`.

If this is a range partition of a \*-hash partitioned table, then note the following:

- If you allocate or deallocate an extent, this action is performed for every subpartition of the specified partition.
- Likewise, changing any other attributes results in corresponding changes to those attributes of all the subpartitions for that partition. The partition level default attributes are changed as well. To avoid changing attributes of existing subpartitions, use the `FOR PARTITION` clause of the `MODIFY DEFAULT ATTRIBUTES` statement.

The following are some examples of modifying the real attributes of a partition.

This example modifies the `MAXEXTENTS` storage attribute for the range partition `sales_q1` of table `sales`:

```
ALTER TABLE sales MODIFY PARTITION sales_q1
    STORAGE (MAXEXTENTS 10);
```

All of the local index subpartitions of partition `ts1` in range-hash partitioned table `scubagear` are marked `UNUSABLE` in the following example:

```
ALTER TABLE scubagear MODIFY PARTITION ts1 UNUSABLE LOCAL INDEXES;
```

For an interval-partitioned table you can only modify real attributes of range partitions or interval partitions that have been created.

### Modifying Real Attributes for a Hash Partition

You also use the `ALTER TABLE ... MODIFY PARTITION` statement to modify attributes of a hash partition. However, because the physical attributes of individual hash partitions must all be the same (except for `TABLESPACE`), you are restricted to:

- Allocating a new extent
- Deallocating an unused extent
- Marking a local index subpartition `UNUSABLE`
- Rebuilding local index subpartitions that are marked `UNUSABLE`

The following example rebuilds any unusable local index partitions associated with hash partition `P1` of table `dept`:

```
ALTER TABLE dept MODIFY PARTITION p1
    REBUILD UNUSABLE LOCAL INDEXES;
```

### Modifying Real Attributes of a Subpartition

With the `MODIFY SUBPARTITION` clause of `ALTER TABLE` you can perform the same actions as listed previously for partitions, but at the specific composite partitioned table subpartition level. For example:

```
ALTER TABLE emp MODIFY SUBPARTITION p3_s1
    REBUILD UNUSABLE LOCAL INDEXES;
```

### Modifying Real Attributes of Index Partitions

The `MODIFY PARTITION` clause of `ALTER INDEX` lets you modify the real attributes of an index partition or its subpartitions. The rules are very similar to those for table partitions, but unlike the `MODIFY PARTITION` clause for `ALTER INDEX`, there is no subclause to rebuild an unusable index partition, but there is a subclause to coalesce an index partition or its subpartitions. In this context, coalesce means to merge index blocks where possible to free them for reuse.

You can also allocate or deallocate storage for a subpartition of a local index, or mark it `UNUSABLE`, using the `MODIFY PARTITION` clause.

## Modifying List Partitions: Adding Values

List partitioning enables you to optionally add literal values from the defining value list.

### Adding Values for a List Partition

Use the `MODIFY PARTITION ... ADD VALUES` clause of the `ALTER TABLE` statement to extend the value list of an existing partition. Literal values being added must not have been included in any other partition value list. The partition value list for any corresponding local index partition is correspondingly extended, and any global indexes, or global or local index partitions, remain usable.

The following statement adds a new set of state codes ('OK', 'KS') to an existing partition list.

```
ALTER TABLE sales_by_region
    MODIFY PARTITION region_south
```

```
ADD VALUES ('OK', 'KS');
```

The existence of a default partition can have a performance impact when adding values to other partitions. This is because to add values to a list partition, the database must check that the values being added do not exist in the default partition. If any of the values do exist in the default partition, then an error is raised.

---



---

**Note:** The database executes a query to check for the existence of rows in the default partition that correspond to the literal values being added. Therefore, it is advisable to create a local prefixed index on the table. This speeds up the execution of the query and the overall operation.

---



---

You cannot add values to a default list partition.

### Adding Values for a List Subpartition

This operation is essentially the same as described for "[Modifying List Partitions: Adding Values](#)", however, you use a `MODIFY SUBPARTITION` clause instead of the `MODIFY PARTITION` clause. For example, to extend the range of literal values in the value list for subpartition `q1_1999_southeast`, use the following statement:

```
ALTER TABLE quarterly_regional_sales
  MODIFY SUBPARTITION q1_1999_southeast
  ADD VALUES ('KS');
```

Literal values being added must not have been included in any other subpartition value list within the owning partition. However, they can be duplicates of literal values in the subpartition value lists of other partitions within the table.

For an interval-list composite partitioned table, you can only add values to subpartitions of range partitions or interval partitions that have been created. To add values to subpartitions of interval partitions that have not yet been created, then you must modify the subpartition template.

## Modifying List Partitions: Dropping Values

List partitioning enables you to optionally drop literal values from the defining value list.

### Dropping Values from a List Partition

Use the `MODIFY PARTITION ... DROP VALUES` clause of the `ALTER TABLE` statement to remove literal values from the value list of an existing partition. The statement is always executed with validation, meaning that it checks to see if any rows exist in the partition that corresponds to the set of values being dropped. If any such rows are found then the database returns an error message and the operation fails. When necessary, use a `DELETE` statement to delete corresponding rows from the table before attempting to drop values.

---



---

**Note:** You cannot drop all literal values from the value list describing the partition. You must use the `ALTER TABLE ... DROP PARTITION` statement instead.

---



---

The partition value list for any corresponding local index partition reflects the new value list, and any global index, or global or local index partitions, remain usable.

The following statement drops a set of state codes ('OK' and 'KS') from an existing partition value list.

```
ALTER TABLE sales_by_region
  MODIFY PARTITION region_south
    DROP VALUES ('OK', 'KS');
```

---

---

**Note:** The database executes a query to check for the existence of rows in the partition that correspond to the literal values being dropped. Therefore, it is advisable to create a local prefixed index on the table. This speeds up the execution of the query and the overall operation.

---

---

You cannot drop values from a default list partition.

### Dropping Values from a List Subpartition

This operation is essentially the same as described for "[Modifying List Partitions: Dropping Values](#)", however, you use a `MODIFY SUBPARTITION` clause instead of the `MODIFY PARTITION` clause. For example, to remove a set of literal values in the value list for subpartition `q1_1999_southeast`, use the following statement:

```
ALTER TABLE quarterly_regional_sales
  MODIFY SUBPARTITION q1_1999_southeast
    DROP VALUES ('KS');
```

For an interval-list composite partitioned table, you can only drop values from subpartitions of range partitions or interval partitions that have been created. To drop values from subpartitions of interval partitions that have not yet been created, you must modify the subpartition template.

## Modifying a Subpartition Template

You can modify a subpartition template of a composite partitioned table by replacing it with a new subpartition template. Any subsequent operations that use the subpartition template (such as `ADD PARTITION` or `MERGE PARTITIONS`) now use the new subpartition template. Existing subpartitions remain unchanged.

If you modify a subpartition template of an interval-\* composite partitioned table, then interval partitions that have not yet been created use the new subpartition template.

Use the `ALTER TABLE ... SET SUBPARTITION TEMPLATE` statement to specify a new subpartition template. For example:

```
ALTER TABLE emp_sub_template
  SET SUBPARTITION TEMPLATE
    (SUBPARTITION e TABLESPACE ts1,
     SUBPARTITION f TABLESPACE ts2,
     SUBPARTITION g TABLESPACE ts3,
     SUBPARTITION h TABLESPACE ts4
    );
```

You can drop a subpartition template by specifying an empty list:

```
ALTER TABLE emp_sub_template
  SET SUBPARTITION TEMPLATE ( );
```



## Moving Partitions

Use the `MOVE PARTITION` clause of the `ALTER TABLE` statement to:

- Re-cluster data and reduce fragmentation
- Move a partition to another tablespace
- Modify create-time attributes
- Store the data in compressed format using table compression

Typically, you can change the physical storage attributes of a partition in a single step using an `ALTER TABLE/INDEX ... MODIFY PARTITION` statement. However, there are some physical attributes, such as `TABLESPACE`, that you cannot modify using `MODIFY PARTITION`. In these cases, use the `MOVE PARTITION` clause. Modifying some other attributes, such as table compression, affects only future storage, but not existing data.

---

**Note:** `ALTER TABLE...MOVE` does not permit DML on the partition while the command is executing. To move a partition and leave it available for DML, see "[Redefining Partitions Online](#)" on page 4-60.

---

If the partition being moved contains any data, indexes may be marked `UNUSABLE` according to the following table:

| Table Type      | Index Behavior  |
|-----------------|---|
| Regular (Heap)  | <p>Unless you specify <code>UPDATE INDEXES</code> as part of the <code>ALTER TABLE</code> statement:</p> <ul style="list-style-type: none"> <li>■ The matching partition in each local index is marked <code>UNUSABLE</code>. You must rebuild these index partitions after issuing <code>MOVE PARTITION</code>.</li> <li>■ Any global indexes, or all partitions of partitioned global indexes, are marked <code>UNUSABLE</code>.</li> </ul> |
| Index-organized | <p>Any local or global indexes defined for the partition being moved remain usable because they are primary-key based logical rowids. However, the guess information for these rowids becomes incorrect.</p>  |

### Moving Table Partitions

Use the `MOVE PARTITION` clause to move a partition. For example, to move the most active partition to a tablespace that resides on its own set of disks (to balance I/O), not log the action, and compress the data, issue the following statement:

```
ALTER TABLE parts MOVE PARTITION depot2
    TABLESPACE ts094 NOLOGGING COMPRESS;
```

This statement always drops the old partition segment and creates a new segment, even if you do not specify a new tablespace.

If you are moving a partition of a partitioned index-organized table, then you can specify the `MAPPING TABLE` clause as part of the `MOVE PARTITION` clause, and the mapping table partition are moved to the new location along with the table partition.

For an interval or interval-\* partitioned table, you can only move range partitions or interval partitions that have been created. A partition move operation does not move the transition point in an interval or interval-\* partitioned table.

You can move a partition in a reference-partitioned table independent of the partition in the master table.

### Moving Subpartitions

The following statement shows how to move data in a subpartition of a table. In this example, a `PARALLEL` clause has also been specified.

```
ALTER TABLE scuba_gear MOVE SUBPARTITION bcd_types
    TABLESPACE tbs23 PARALLEL (DEGREE 2);
```

You can move a subpartition in a reference-partitioned table independent of the subpartition in the master table.

### Moving Index Partitions

The `ALTER TABLE ... MOVE PARTITION` statement for regular tables, marks all partitions of a global index `UNUSABLE`. You can rebuild the entire index by rebuilding each partition individually using the `ALTER INDEX ... REBUILD PARTITION` statement. You can perform these rebuilds concurrently.

You can also simply drop the index and re-create it.

## Redefining Partitions Online

Oracle Database provides a mechanism to move a partition or to make other changes to the partition's physical structure without significantly affecting the availability of the partition for DML. This mechanism is called **online table redefinition**.

For information about redefining a single partition of a table, see *Oracle Database Administrator's Guide*.

### Redefining Partitions with Collection Tables

You can use online redefinition to copy over nonpartitioned Collection Tables to partitioned Collection Tables and Oracle Database inserts rows into the appropriate partitions in the Collection Table. The example below illustrates how this is done for nested tables inside an `Objects` column; a similar example works for Ordered Collection Type Tables inside an `XMLType` table or column. Note that during the `copy_table_dependents` operation, you specify `0` or `false` for copying the indexes and constraints, as you want to keep the indexes and constraints of the newly defined collection table. However, it is important to note that the Collection Tables and its partitions have the same names as that of the interim table (`print_media2` in the example below). You must take explicit steps to preserve the Collection Table names.

```
CONNECT / AS SYSDBA
DROP USER eqnt CASCADE;
CREATE USER eqnt IDENTIFIED BY eqnt;
GRANT CONNECT, RESOURCE TO eqnt;

-- Grant privileges required for online redefinition.
GRANT EXECUTE ON DBMS_REDEFINITION TO eqnt;
GRANT ALTER ANY TABLE TO eqnt;
GRANT DROP ANY TABLE TO eqnt;
GRANT LOCK ANY TABLE TO eqnt;
GRANT CREATE ANY TABLE TO eqnt;
GRANT SELECT ANY TABLE TO eqnt;

-- Privileges required to perform cloning of dependent objects.
GRANT CREATE ANY TRIGGER TO eqnt;
```

```

GRANT CREATE ANY INDEX TO eqnt;

CONNECT eqnt/eqnt

CREATE TYPE textdoc_typ AS OBJECT ( document_typ VARCHAR2(32));
/
CREATE TYPE textdoc_tab AS TABLE OF textdoc_typ;
/
-- (old) non partitioned nested table
CREATE TABLE print_media
  ( product_id      NUMBER(6) primary key
    , ad_textdocs_ntab textdoc_tab
  )
NESTED TABLE ad_textdocs_ntab STORE AS equi_nesttab
( (document_typ NOT NULL)
  STORAGE (INITIAL 8M)
)
PARTITION BY RANGE (product_id)
(
  PARTITION P1 VALUES LESS THAN (10),
  PARTITION P2 VALUES LESS THAN (20)
);

-- Insert into base table
INSERT INTO print_media VALUES (1,
  textdoc_tab(textdoc_typ('xx'), textdoc_typ('yy')));
INSERT INTO print_media VALUES (11,
  textdoc_tab(textdoc_typ('aa'), textdoc_typ('bb')));
COMMIT;

-- Insert into nested table
INSERT INTO TABLE
  (SELECT p.ad_textdocs_ntab FROM print_media p WHERE p.product_id = 11)
VALUES ('cc');

SELECT * FROM print_media;

PRODUCT_ID  AD_TEXTDOCS_NTAB(DOCUMENT_TYP)
-----
          1  TEXTDOC_TAB(TEXTDOC_TYP('xx'), TEXTDOC_TYP('yy'))
          11  TEXTDOC_TAB(TEXTDOC_TYP('aa'), TEXTDOC_TYP('bb'), TEXTDOC_TYP('cc'))

-- Creating partitioned Interim Table
CREATE TABLE print_media2
  ( product_id      NUMBER(6)
    , ad_textdocs_ntab textdoc_tab
  )
NESTED TABLE ad_textdocs_ntab STORE AS equi_nesttab2
( (document_typ NOT NULL)
  STORAGE (INITIAL 8M)
)
PARTITION BY RANGE (product_id)
(
  PARTITION P1 VALUES LESS THAN (10),
  PARTITION P2 VALUES LESS THAN (20)
);

EXEC dbms_redefinition.start_redef_table('eqnt', 'print_media', 'print_media2');

DECLARE

```

```

error_count pls_integer := 0;
BEGIN
  dbms_redefinition.copy_table_dependents('eqnt', 'print_media', 'print_media2',
                                          0, true, false, true, false,
                                          error_count);

  dbms_output.put_line('errors := ' || to_char(error_count));
END;
/

EXEC dbms_redefinition.finish_redef_table('eqnt', 'print_media', 'print_media2');

-- Drop the interim table
DROP TABLE print_media2;

-- print_media has partitioned nested table here

SELECT * FROM print_media PARTITION (p1);

PRODUCT_ID  AD_TEXTDOCS_NTAB(DOCUMENT_TYP)
-----
           1  TEXTDOC_TAB(TEXTDOC_TYP('xx'), TEXTDOC_TYP('yy'))

SELECT * FROM print_media PARTITION (p2);

PRODUCT_ID  AD_TEXTDOCS_NTAB(DOCUMENT_TYP)
-----
          11  TEXTDOC_TAB(TEXTDOC_TYP('aa'), TEXTDOC_TYP('bb'), TEXTDOC_TYP('cc'))

```

## Rebuilding Index Partitions

Some reasons for rebuilding index partitions include:

- To recover space and improve performance
- To repair a damaged index partition caused by media failure
- To rebuild a local index partition after loading the underlying table partition with SQL\*Loader or an import utility
- To rebuild index partitions that have been marked UNUSABLE
- To enable key compression for B-tree indexes

The following sections discuss options for rebuilding index partitions and subpartitions.

### Rebuilding Global Index Partitions

You can rebuild global index partitions in two ways:

- Rebuild each partition by issuing the ALTER INDEX ... REBUILD PARTITION statement (you can run the rebuilds concurrently).
- Drop the entire global index and re-create it. This method is more efficient because the table is scanned only one time.

For most maintenance operations on partitioned tables with indexes, you can optionally avoid the need to rebuild the index by specifying UPDATE INDEXES on your DDL statement.

## Rebuilding Local Index Partitions

Rebuild local indexes using either `ALTER INDEX` or `ALTER TABLE` as follows:

- `ALTER INDEX ... REBUILD PARTITION/SUBPARTITION`  
This statement rebuilds an index partition or subpartition unconditionally.
- `ALTER TABLE ... MODIFY PARTITION/SUBPARTITION ... REBUILD UNUSABLE LOCAL INDEXES`  
This statement finds all of the unusable indexes for the given table partition or subpartition and rebuilds them. It only rebuilds an index partition if it has been marked `UNUSABLE`.

**Using `ALTER INDEX` to Rebuild a Partition** The `ALTER INDEX ... REBUILD PARTITION` statement rebuilds one partition of an index. It cannot be used for composite-partitioned tables. Only real physical segments can be rebuilt with this command. When you re-create the index, you can also choose to move the partition to a new tablespace or change attributes.

For composite-partitioned tables, use `ALTER INDEX ... REBUILD SUBPARTITION` to rebuild a subpartition of an index. You can move the subpartition to another tablespace or specify a parallel clause. The following statement rebuilds a subpartition of a local index on a table and moves the index subpartition to another tablespace.

```
ALTER INDEX scuba
  REBUILD SUBPARTITION bcd_types
  TABLESPACE tbs23 PARALLEL (DEGREE 2);
```

**Using `ALTER TABLE` to Rebuild an Index Partition** The `REBUILD UNUSABLE LOCAL INDEXES` clause of `ALTER TABLE ... MODIFY PARTITION` does not allow you to specify any new attributes for the rebuilt index partition. The following example finds and rebuilds any unusable local index partitions for table `scubagear`, partition `p1`.

```
ALTER TABLE scubagear
  MODIFY PARTITION p1 REBUILD UNUSABLE LOCAL INDEXES;
```

There is a corresponding `ALTER TABLE ... MODIFY SUBPARTITION` clause for rebuilding unusable local index subpartitions.

## Renaming Partitions

It is possible to rename partitions and subpartitions of both tables and indexes. One reason for renaming a partition might be to assign a meaningful name, as opposed to a default system name that was assigned to the partition in another maintenance operation.

All partitioning methods support the `FOR (value)` method to identify a partition. You can use this method to rename a system-generated partition name into a more meaningful name. This is particularly useful in interval or interval-\* partitioned tables.

You can independently rename partitions and subpartitions for reference-partitioned master and child tables. The rename operation on the master table is not cascaded to descendant tables.

### Renaming a Table Partition

Rename a range, hash, or list partition, using the `ALTER TABLE ... RENAME PARTITION` statement. For example:

```
ALTER TABLE scubagear RENAME PARTITION sys_p636 TO tanks;
```

### Renaming a Table Subpartition

Likewise, you can assign new names to subpartitions of a table. In this case you would use the `ALTER TABLE ... RENAME SUBPARTITION` syntax.

### Renaming Index Partitions

Index partitions and subpartitions can be renamed in similar fashion, but the `ALTER INDEX` syntax is used.

**Renaming an Index Partition** Use the `ALTER INDEX ... RENAME PARTITION` statement to rename an index partition.

The `ALTER INDEX` statement does not support the use of `FOR (value)` to identify a partition. You must use the original partition name in the rename operation.

**Renaming an Index Subpartition** This next statement simply shows how to rename a subpartition that has a system generated name that was a consequence of adding a partition to an underlying table:

```
ALTER INDEX scuba RENAME SUBPARTITION sys_subp3254 TO bcd_types;
```

## Splitting Partitions

The `SPLIT PARTITION` clause of the `ALTER TABLE` or `ALTER INDEX` statement is used to redistribute the contents of a partition into two new partitions. Consider doing this when a partition becomes too large and causes backup, recovery, or maintenance operations to take a long time to complete or it is felt that there is simply too much data in the partition. You can also use the `SPLIT PARTITION` clause to redistribute the I/O load.

This clause cannot be used for hash partitions or subpartitions.

If the partition you are splitting contains any data, then indexes may be marked `UNUSABLE` as explained in the following table:

| Table Type      | Index Behavior  |
|-----------------|---|
| Regular (Heap)  | <p>Unless you specify <code>UPDATE INDEXES</code> as part of the <code>ALTER TABLE</code> statement:</p> <ul style="list-style-type: none"> <li>■ The database marks <code>UNUSABLE</code> the new partitions (there are two) in each local index.</li> <li>■ Any global indexes, or all partitions of partitioned global indexes, are marked <code>UNUSABLE</code> and must be rebuilt.</li> </ul> |
| Index-organized | <ul style="list-style-type: none"> <li>■ The database marks <code>UNUSABLE</code> the new partitions (there are two) in each local index.</li> <li>■ All global indexes remain usable.</li> </ul>   |

You cannot split partitions or subpartitions in a reference-partitioned table. When you split partitions or subpartitions in the parent table then the split is cascaded to all descendant tables. However, you can use the `DEPENDENT TABLES` clause to set specific properties for dependent tables when you issue the `SPLIT` statement on the master table to split partitions or subpartitions.

**See Also:** *Oracle Database SQL Language Reference*

## Splitting a Partition of a Range-Partitioned Table

You split a range partition using the `ALTER TABLE ... SPLIT PARTITION` statement. You specify a value of the partitioning key column within the range of the partition at which to split the partition. The first of the resulting two new partitions includes all rows in the original partition whose partitioning key column values map lower than the specified value. The second partition contains all rows whose partitioning key column values map greater than or equal to the specified value.

You can optionally specify new attributes for the two partitions resulting from the split. If there are local indexes defined on the table, this statement also splits the matching partition in each local index.

In the following example `fee_katy` is a partition in the table `vet_cats`, which has a local index, `jaf1`. There is also a global index, `vet` on the table. `vet` contains two partitions, `vet_parta`, and `vet_partb`.

To split the partition `fee_katy`, and rebuild the index partitions, issue the following statements:

```
ALTER TABLE vet_cats SPLIT PARTITION
    fee_katy at (100) INTO ( PARTITION
        fee_katy1, PARTITION fee_katy2);
ALTER INDEX JAF1 REBUILD PARTITION fee_katy1;
ALTER INDEX JAF1 REBUILD PARTITION fee_katy2;
ALTER INDEX VET REBUILD PARTITION vet_parta;
ALTER INDEX VET REBUILD PARTITION vet_partb;
```

---

**Note:** If you do not specify new partition names, the database assigns names of the form `SYS_Pn`. You can examine the data dictionary to locate the names assigned to the new local index partitions. You may want to rename them. Any attributes you do not specify are inherited from the original partition.

---

## Splitting a Partition of a List-Partitioned Table

You split a list partition by using the `ALTER TABLE ... SPLIT PARTITION` statement. The `SPLIT PARTITION` clause enables you to specify a list of literal values that define a partition into which rows with corresponding partitioning key values are inserted. The remaining rows of the original partition are inserted into a second partition whose value list contains the remaining values from the original partition.

You can optionally specify new attributes for the two partitions that result from the split.

The following statement splits the partition `region_east` into two partitions:

```
ALTER TABLE sales_by_region
    SPLIT PARTITION region_east VALUES ('CT', 'MA', 'MD')
    INTO
    ( PARTITION region_east_1
        TABLESPACE tbs2,
        PARTITION region_east_2
        STORAGE (INITIAL 8M))
    PARALLEL 5;
```

The literal value list for the original `region_east` partition was specified as:

```
PARTITION region_east VALUES ('MA', 'NY', 'CT', 'NH', 'ME', 'MD', 'VA', 'PA', 'NJ')
```

The two new partitions are:

- `region_east_1` with a literal value list of ('CT', 'MA', 'MD')
- `region_east_2` inheriting the remaining literal value list of ('NY', 'NH', 'ME', 'VA', 'PA', 'NJ')

The individual partitions have new physical attributes specified at the partition level. The operation is executed with parallelism of degree 5.

You can split a default list partition just like you split any other list partition. This is also the only means of adding a partition to a list-partitioned table that contains a default partition. When you split the default partition, you create a new partition defined by the values that you specify, and a second partition that remains the default partition.

The following example splits the default partition of `sales_by_region`, thereby creating a new partition:

```
ALTER TABLE sales_by_region
  SPLIT PARTITION region_unknown VALUES ('MT', 'WY', 'ID')
  INTO
    ( PARTITION region_wildwest,
      PARTITION region_unknown);
```

### Splitting a Partition of an Interval-Partitioned Table

You split a range or a materialized interval partition using the `ALTER TABLE ... SPLIT PARTITION` statement in an interval-partitioned table. Splitting a range partition in the interval-partitioned table is described in ["Splitting a Partition of a Range-Partitioned Table"](#) on page 4-65.

To split a materialized interval partition, you specify a value of the partitioning key column within the interval partition at which to split the partition. The first of the resulting two new partitions includes all rows in the original partition whose partitioning key column values map lower than the specified value. The second partition contains all rows whose partitioning key column values map greater than or equal to the specified value. The split partition operation moves the transition point up to the higher boundary of the partition you just split, and all materialized interval partitions lower than the newly split partitions are implicitly converted into range partitions, with their upper boundaries defined by the upper boundaries of the intervals.

You can optionally specify new attributes for the two range partitions resulting from the split. If there are local indexes defined on the table, then this statement also splits the matching partition in each local index. You cannot split interval partitions that have not yet been created.

The following example shows splitting the May 2007 partition in the monthly interval partitioned table `transactions`.

```
ALTER TABLE transactions
  SPLIT PARTITION FOR (TO_DATE('01-MAY-2007', 'dd-MON-yyyy'))
  AT (TO_DATE('15-MAY-2007', 'dd-MON-yyyy'));
```

### Splitting a \*-Hash Partition

This is the opposite of merging \*-hash partitions. When you split \*-hash partitions, the new subpartitions are rehashed into either the number of subpartitions specified in a `SUBPARTITIONS` or `SUBPARTITION` clause. Or, if no such clause is included, the new partitions inherit the number of subpartitions (and tablespaces) from the partition being split.



Note that the inheritance of properties is different when a \*-hash partition is split, versus when two \*-hash partitions are merged. When a partition is split, the new partitions can inherit properties from the original partition because there is only one parent. However, when partitions are merged, properties must be inherited from *table level* defaults because there are two parents and the new partition cannot inherit from either at the expense of the other.

The following example splits a range-hash partition:

```
ALTER TABLE all_seasons SPLIT PARTITION quarter_1
      AT (TO_DATE('16-dec-1997', 'dd-mon-yyyy'))
      INTO (PARTITION q1_1997_1 SUBPARTITIONS 4 STORE IN (ts1,ts3),
           PARTITION q1_1997_2);
```

The rules for splitting an interval-hash partitioned table follow the rules for splitting an interval-partitioned table. As described in "[Splitting a Partition of an Interval-Partitioned Table](#)" on page 4-66, the transition point is changed to the higher boundary of the split partition.

### Splitting Partitions in a \*-List Partitioned Table

Partitions can be split at both the partition level and at the list subpartition level.

**Splitting a \*-List Partition** Splitting a partition of a \*-list partitioned table is similar to the description in "[Splitting a Partition of a Range-Partitioned Table](#)" on page 4-65. No subpartition literal value list can be specified for either of the new partitions. The new partitions inherit the subpartition descriptions from the original partition being split.

The following example splits the q1\_1999 partition of the `quarterly_regional_sales` table:

```
ALTER TABLE quarterly_regional_sales SPLIT PARTITION q1_1999
      AT (TO_DATE('15-Feb-1999', 'dd-mon-yyyy'))
      INTO ( PARTITION q1_1999_jan_feb
            TABLESPACE ts1,
            PARTITION q1_1999_feb_mar
            STORAGE (INITIAL 8M) TABLESPACE ts2)
      PARALLEL 5;
```

This operation splits the partition `q1_1999` into two resulting partitions: `q1_1999_jan_feb` and `q1_1999_feb_mar`. Both partitions inherit their subpartition descriptions from the original partition. The individual partitions have new physical attributes, including tablespaces, specified at the partition level. These new attributes become the default attributes of the new partitions. This operation is run with parallelism of degree 5.

The `ALTER TABLE ... SPLIT PARTITION` statement provides no means of specifically naming subpartitions resulting from the split of a partition in a composite partitioned table. However, for those subpartitions in the parent partition with names of the form *partition name\_subpartition name*, the database generates corresponding names in the newly created subpartitions using the new partition names. All other subpartitions are assigned system generated names of the form `SYS_SUBPn`. System generated names are also assigned for the subpartitions of any partition resulting from the split for which a name is not specified. Unnamed partitions are assigned a system generated partition name of the form `SYS_Pn`.

The following query displays the subpartition names resulting from the previous split partition operation on table `quarterly_regional_sales`. It also reflects the results of other operations performed on this table in preceding sections of this chapter since its creation in "[Creating Composite Range-List Partitioned Tables](#)" on page 4-10.

```
SELECT PARTITION_NAME, SUBPARTITION_NAME, TABLESPACE_NAME
FROM DBA_TAB_SUBPARTITIONS
WHERE TABLE_NAME='QUARTERLY_REGIONAL_SALES'
ORDER BY PARTITION_NAME;
```

| PARTITION_NAME  | SUBPARTITION_NAME            | TABLESPACE_NAME |
|-----------------|------------------------------|-----------------|
| Q1_1999_FEB_MAR | Q1_1999_FEB_MAR_WEST         | TS2             |
| Q1_1999_FEB_MAR | Q1_1999_FEB_MAR_NORTHEAST    | TS2             |
| Q1_1999_FEB_MAR | Q1_1999_FEB_MAR_SOUTHEAST    | TS2             |
| Q1_1999_FEB_MAR | Q1_1999_FEB_MAR_NORTHCENTRAL | TS2             |
| Q1_1999_FEB_MAR | Q1_1999_FEB_MAR_SOUTHCENTRAL | TS2             |
| Q1_1999_FEB_MAR | Q1_1999_FEB_MAR_SOUTH        | TS2             |
| Q1_1999_JAN_FEB | Q1_1999_JAN_FEB_WEST         | TS1             |
| Q1_1999_JAN_FEB | Q1_1999_JAN_FEB_NORTHEAST    | TS1             |
| Q1_1999_JAN_FEB | Q1_1999_JAN_FEB_SOUTHEAST    | TS1             |
| Q1_1999_JAN_FEB | Q1_1999_JAN_FEB_NORTHCENTRAL | TS1             |
| Q1_1999_JAN_FEB | Q1_1999_JAN_FEB_SOUTHCENTRAL | TS1             |
| Q1_1999_JAN_FEB | Q1_1999_JAN_FEB_SOUTH        | TS1             |
| Q1_2000         | Q1_2000_NORTHWEST            | TS3             |
| Q1_2000         | Q1_2000_SOUTHWEST            | TS3             |
| Q1_2000         | Q1_2000_NORTHEAST            | TS3             |
| Q1_2000         | Q1_2000_SOUTHEAST            | TS3             |
| Q1_2000         | Q1_2000_NORTHCENTRAL         | TS3             |
| Q1_2000         | Q1_2000_SOUTHCENTRAL         | TS3             |
| Q2_1999         | Q2_1999_NORTHWEST            | TS4             |
| Q2_1999         | Q2_1999_SOUTHWEST            | TS4             |
| Q2_1999         | Q2_1999_NORTHEAST            | TS4             |
| Q2_1999         | Q2_1999_SOUTHEAST            | TS4             |
| Q2_1999         | Q2_1999_NORTHCENTRAL         | TS4             |
| Q2_1999         | Q2_1999_SOUTHCENTRAL         | TS4             |
| Q3_1999         | Q3_1999_NORTHWEST            | TS4             |
| Q3_1999         | Q3_1999_SOUTHWEST            | TS4             |
| Q3_1999         | Q3_1999_NORTHEAST            | TS4             |
| Q3_1999         | Q3_1999_SOUTHEAST            | TS4             |
| Q3_1999         | Q3_1999_NORTHCENTRAL         | TS4             |
| Q3_1999         | Q3_1999_SOUTHCENTRAL         | TS4             |
| Q4_1999         | Q4_1999_NORTHWEST            | TS4             |
| Q4_1999         | Q4_1999_SOUTHWEST            | TS4             |
| Q4_1999         | Q4_1999_NORTHEAST            | TS4             |
| Q4_1999         | Q4_1999_SOUTHEAST            | TS4             |
| Q4_1999         | Q4_1999_NORTHCENTRAL         | TS4             |
| Q4_1999         | Q4_1999_SOUTHCENTRAL         | TS4             |

36 rows selected.

**Splitting a \*-List Subpartition** Splitting a list subpartition of a \*-list partitioned table is similar to the description in ["Splitting a Partition of a List-Partitioned Table"](#) on page 4-65, but the syntax is that of SUBPARTITION rather than PARTITION. For example, the following statement splits a subpartition of the quarterly\_regional\_sales table:

```
ALTER TABLE quarterly_regional_sales SPLIT SUBPARTITION q2_1999_southwest
VALUES ('UT') INTO
( SUBPARTITION q2_1999_utah
TABLESPACE ts2,
SUBPARTITION q2_1999_southwest
TABLESPACE ts3
)
PARALLEL;
```

This operation splits the subpartition `q2_1999_southwest` into two subpartitions:

- `q2_1999_utah` with literal value list of ( 'UT' )
- `q2_1999_southwest` which inherits the remaining literal value list of ( 'AZ', 'NM' )

The individual subpartitions have new physical attributes that are inherited from the subpartition being split.

You can only split subpartitions in an interval-list partitioned table for range partitions or materialized interval partitions. To change subpartition values for future interval partitions, you must modify the subpartition template.

### Splitting a \*-Range Partition

Splitting a partition of a \*-range partitioned table is similar to the description in ["Splitting a Partition of a Range-Partitioned Table"](#) on page 4-65. No subpartition range values can be specified for either of the new partitions. The new partitions inherit the subpartition descriptions from the original partition being split.

The following example splits the May 2007 interval partition of the interval-range partitioned `orders` table:

```
ALTER TABLE orders
  SPLIT PARTITION FOR(TO_DATE('01-MAY-2007','dd-MON-yyyy'))
  AT (TO_DATE('15-MAY-2007','dd-MON-yyyy'))
  INTO (PARTITION p_fh_may07,PARTITION p_sh_may2007);
```

This operation splits the interval partition `FOR('01-MAY-2007')` into two resulting partitions: `p_fh_may07` and `p_sh_may_2007`. Both partitions inherit their subpartition descriptions from the original partition. Any interval partitions before the June 2007 partition have been converted into range partitions, as described in ["Merging Interval Partitions"](#) on page 4-51.

The `ALTER TABLE ... SPLIT PARTITION` statement provides no means of specifically naming subpartitions resulting from the split of a partition in a composite partitioned table. However, for those subpartitions in the parent partition with names of the form `partition name_subpartition name`, the database generates corresponding names in the newly created subpartitions using the new partition names. All other subpartitions are assigned system generated names of the form `SYS_SUBPn`. System generated names are also assigned for the subpartitions of any partition resulting from the split for which a name is not specified. Unnamed partitions are assigned a system generated partition name of the form `SYS_Pn`.

The following query displays the subpartition names and high values resulting from the previous split partition operation on table `orders`. It also reflects the results of other operations performed on this table in preceding sections of this chapter since its creation.

```
BREAK ON partition_name

SELECT partition_name, subpartition_name, high_value
FROM user_tab_subpartitions
WHERE table_name = 'ORDERS'
ORDER BY partition_name, subpartition_position;
```

| PARTITION_NAME | SUBPARTITION_NAME      | HIGH_VALUE |
|----------------|------------------------|------------|
| P_BEFORE_2007  | P_BEFORE_2007_P_SMALL  | 1000       |
|                | P_BEFORE_2007_P_MEDIUM | 10000      |

|                |                                |          |
|----------------|--------------------------------|----------|
|                | P_BEFORE_2007_P_LARGE          | 100000   |
|                | P_BEFORE_2007_P_EXTRAORDINARY  | MAXVALUE |
| P_FH_MAY07     | SYS_SUBP2985                   | 1000     |
|                | SYS_SUBP2986                   | 10000    |
|                | SYS_SUBP2987                   | 100000   |
|                | SYS_SUBP2988                   | MAXVALUE |
| P_PRE_MAY_2007 | P_PRE_MAY_2007_P_SMALL         | 1000     |
|                | P_PRE_MAY_2007_P_MEDIUM        | 10000    |
|                | P_PRE_MAY_2007_P_LARGE         | 100000   |
|                | P_PRE_MAY_2007_P_EXTRAORDINARY | MAXVALUE |
| P_SH_MAY2007   | SYS_SUBP2989                   | 1000     |
|                | SYS_SUBP2990                   | 10000    |
|                | SYS_SUBP2991                   | 100000   |
|                | SYS_SUBP2992                   | MAXVALUE |

**Splitting a \*-Range Subpartition** Splitting a range subpartition of a \*-range partitioned table is similar to the description in ["Splitting a Partition of a Range-Partitioned Table"](#) on page 4-65, but the syntax is that of SUBPARTITION rather than PARTITION. For example, the following statement splits a subpartition of the `orders` table:

```
ALTER TABLE orders
SPLIT SUBPARTITION p_pre_may_2007_p_large AT (50000)
INTO (SUBPARTITION p_pre_may_2007_med_large TABLESPACE TS4
, SUBPARTITION p_pre_may_2007_large_large TABLESPACE TS5
);
```

This operation splits the subpartition `p_pre_may_2007_p_large` into two subpartitions:

- `p_pre_may_2007_med_large` with values between 10000 and 50000
- `p_pre_may_2007_large_large` with values between 50000 and 100000

The individual subpartitions have new physical attributes that are inherited from the subpartition being split.

You can only split subpartitions in an interval-range partitioned table for range partitions or materialized interval partitions. To change subpartition boundaries for future interval partitions, you must modify the subpartition template.

### Splitting Index Partitions

You cannot explicitly split a partition in a local index. A local index partition is split only when you split a partition in the underlying table. However, you can split a global index partition as is done in the following example:

```
ALTER INDEX quon1 SPLIT
PARTITION canada AT ( 100 ) INTO
PARTITION canada1 ..., PARTITION canada2 ...);
ALTER INDEX quon1 REBUILD PARTITION canada1;
ALTER INDEX quon1 REBUILD PARTITION canada2;
```

The index being split can contain index data, and the resulting partitions do not require rebuilding, unless the original partition was previously marked UNUSABLE.

### Optimizing SPLIT PARTITION and SPLIT SUBPARTITION Operations

Oracle Database implements a SPLIT PARTITION operation by creating two new partitions and redistributing the rows from the partition being split into the two new partitions. This is an expensive operation because it is necessary to scan all the rows of the partition being split and then insert them one-by-one into the new partitions.

Further if you do not use the `UPDATE INDEXES` clause, both local and global indexes also require rebuilding.

Sometimes after a split operation, one new partition contains all of the rows from the partition being split, while the other partition contains no rows. This is often the case when splitting the first partition of a table. The database can detect such situations and can optimize the split operation. This optimization results in a fast split operation that behaves like an add partition operation.

Specifically, the database can optimize and speed up `SPLIT PARTITION` operations if all of the following conditions are met:

- One of the two resulting partitions must be empty.
- The non-empty resulting partition must have storage characteristics identical to those of the partition being split. Specifically:
  - If the partition being split is composite, then the storage characteristics of each subpartition in the new non-empty resulting partition must be identical to those of the subpartitions of the partition being split.
  - If the partition being split contains a LOB column, then the storage characteristics of each LOB (sub)partition in the new non-empty resulting partition must be identical to those of the LOB (sub)partitions of the partition being split.
  - If a partition of an index-organized table with overflow is being split, then the storage characteristics of each overflow (sub)partition in the new nonempty resulting partition must be identical to those of the overflow (sub)partitions of the partition being split.
  - If a partition of an index-organized table with mapping table is being split, then the storage characteristics of each mapping table (sub)partition in the new nonempty resulting partition must be identical to those of the mapping table (sub)partitions of the partition being split.

If these conditions are met after the split, then all global indexes remain usable, even if you did not specify the `UPDATE INDEXES` clause. Local index (sub)partitions associated with both resulting partitions remain usable if they were usable before the split. Local index (sub)partition(s) corresponding to the non-empty resulting partition is identical to the local index (sub)partition(s) of the partition that was split.

The same optimization holds for `SPLIT SUBPARTITION` operations.

## Truncating Partitions

Use the `ALTER TABLE ... TRUNCATE PARTITION` statement to remove all rows from a table partition. Truncating a partition is similar to dropping a partition, except that the partition is emptied of its data, but not physically dropped.

You cannot truncate an index partition. However, if local indexes are defined for the table, the `ALTER TABLE ... TRUNCATE PARTITION` statement truncates the matching partition in each local index. Unless you specify `UPDATE INDEXES`, any global indexes are marked `UNUSABLE` and must be rebuilt. (You cannot use `UPDATE INDEXES` for index-organized tables. Use `UPDATE GLOBAL INDEXES` instead.)

### Truncating a Table Partition

Use the `ALTER TABLE ... TRUNCATE PARTITION` statement to remove all rows from a table partition, with or without reclaiming space. Truncating a partition in an

interval-partitioned table does not move the transition point. You can truncate partitions and subpartitions in a reference-partitioned table.

**Truncating Table Partitions Containing Data and Global Indexes** If the partition contains data and global indexes, use one of the following methods to truncate the table partition.

#### Method 1

Leave the global indexes in place during the ALTER TABLE ... TRUNCATE PARTITION statement. In this example, table `sales` has a global index `sales_area_ix`, which is rebuilt.

```
ALTER TABLE sales TRUNCATE PARTITION dec98;  
ALTER INDEX sales_area_ix REBUILD;
```

This method is most appropriate for large tables where the partition being truncated contains a significant percentage of the total data in the table.

#### Method 2

Issue the DELETE statement to delete all rows from the partition before you issue the ALTER TABLE ... TRUNCATE PARTITION statement. The DELETE statement updates the global indexes, and also fires triggers and generates redo and undo logs.

For example, to truncate the first partition, issue the following statements:

```
DELETE FROM sales PARTITION (dec98);  
ALTER TABLE sales TRUNCATE PARTITION dec98;
```

This method is most appropriate for small tables, or for large tables when the partition being truncated contains a small percentage of the total data in the table.

#### Method 3

Specify UPDATE INDEXES in the ALTER TABLE statement. This causes the global index to be truncated at the time the partition is truncated.

```
ALTER TABLE sales TRUNCATE PARTITION dec98  
    UPDATE INDEXES;
```

**Truncating a Partition Containing Data and Referential Integrity Constraints** If a partition contains data and has referential integrity constraints, then you cannot truncate the partition. If no other data is referencing any data in the partition you want to remove, then choose either of the following methods to truncate the table partition.

#### Method 1

Disable the integrity constraints, issue the ALTER TABLE ... TRUNCATE PARTITION statement, then re-enable the integrity constraints. This method is most appropriate for large tables where the partition being truncated contains a significant percentage of the total data in the table. If there is still referencing data in other tables, then you must remove that data to be able to re-enable the integrity constraints.

#### Method 2

Issue the DELETE statement to delete all rows from the partition before you issue the ALTER TABLE ... TRUNCATE PARTITION statement. The DELETE statement enforces referential integrity constraints, and also fires triggers and generates redo and undo logs. Data in referencing tables is deleted if the foreign key constraints were created with the ON DELETE CASCADE option.

---



---

**Note:** You can substantially reduce the amount of logging by setting the `NOLOGGING` attribute (using `ALTER TABLE ... MODIFY PARTITION ... NOLOGGING`) for the partition before deleting all of its rows.

---



---

```
DELETE FROM sales partition (dec94);
ALTER TABLE sales TRUNCATE PARTITION dec94;
```

This method is most appropriate for small tables, or for large tables when the partition being truncated contains a small percentage of the total data in the table.

### Truncating a Subpartition

You use the `ALTER TABLE ... TRUNCATE SUBPARTITION` statement to remove all rows from a subpartition of a composite partitioned table. Corresponding local index subpartitions are also truncated.

The following statement shows how to truncate data in a subpartition of a table. In this example, the space occupied by the deleted rows is made available for use by other schema objects in the tablespace.

```
ALTER TABLE diving
  TRUNCATE SUBPARTITION us_locations
  DROP STORAGE;
```

## Dropping Partitioned Tables

Oracle Database processes a `DROP TABLE` statement for a partitioned table in the same way that it processes the statement for a nonpartitioned table. One exception that was introduced in Oracle Database 10g Release 2 is when you use the `PURGE` keyword.

To avoid running into resource constraints, the `DROP TABLE...PURGE` statement for a partitioned table drops the table in multiple transactions, where each transaction drops a subset of the partitions or subpartitions and then commits. The table becomes completely dropped at the conclusion of the final transaction. This behavior comes with some changes to the `DROP TABLE` statement that you should be aware of.

First, if the `DROP TABLE...PURGE` statement fails, you can take corrective action, if any, and then reissue the statement. The statement resumes at the point where it failed.

Second, while the `DROP TABLE...PURGE` statement is in progress, the table is marked as unusable by setting the `STATUS` column to the value `UNUSABLE` in the following data dictionary views:

- `USER_TABLES`, `ALL_TABLES`, `DBA_TABLES`
- `USER_PART_TABLES`, `ALL_PART_TABLES`, `DBA_PART_TABLES`
- `USER_OBJECT_TABLES`, `ALL_OBJECT_TABLES`, `DBA_OBJECT_TABLES`

You can list all `UNUSABLE` partitioned tables by querying the `STATUS` column of these views.

Queries against other data dictionary views pertaining to partitioning, such as `DBA_TAB_PARTITIONS` and `DBA_TAB_SUBPARTITIONS`, exclude rows belonging to an `UNUSABLE` table. A complete list of these views is available in "[Viewing Information About Partitioned Tables and Indexes](#)" on page 4-75.

After a table is marked `UNUSABLE`, the only statement that can be issued against it is another `DROP TABLE...PURGE` statement, and only if the previous `DROP TABLE...PURGE`

statement failed. Any other statement issued against an UNUSABLE table results in an error. The table remains in the UNUSABLE state until the drop operation is complete.

**See Also:**

- *Oracle Database SQL Language Reference* for the syntax of the DROP TABLE statement
- *Oracle Database Reference* for a description of the data dictionary views mentioned in this section

## Partitioned Tables and Indexes Example

This section presents an example of moving the time window in a historical table.

A **historical** table describes the business transactions of an enterprise over intervals of time. Historical tables can be **base** tables, which contain base information; for example, sales, checks, and orders. Historical tables can also be **rollup** tables, which contain summary information derived from the base information using operations such as GROUP BY, AVERAGE, or COUNT.

The time interval in a historical table is often a rolling window. DBAs periodically delete sets of rows that describe the oldest transactions, and in turn allocate space for sets of rows that describe the most recent transactions. For example, at the close of business on April 30, 1995, the DBA deletes the rows (and supporting index entries) that describe transactions from April 1994, and allocates space for the April 1995 transactions.

Now consider a specific example. You have a table, *order*, which contains 13 months of transactions: a year of historical data in addition to orders for the current month. There is one partition for each month. These monthly partitions are named *order\_yymm*, as are the tablespaces in which they reside.

The *order* table contains two local indexes, *order\_ix\_onum*, which is a local, prefixed, unique index on the order number, and *order\_ix\_supp*, which is a local, non-prefixed index on the supplier number. The local index partitions are named with suffixes that match the underlying table. There is also a global unique index, *order\_ix\_cust*, for the customer name. *order\_ix\_cust* contains three partitions, one for each third of the alphabet. So on October 31, 1994, change the time window on *order* as follows:

1. Back up the data for the oldest time interval.

```
ALTER TABLESPACE order_9310 BEGIN BACKUP;
...
ALTER TABLESPACE order_9310 END BACKUP;
```

2. Drop the partition for the oldest time interval.

```
ALTER TABLE order DROP PARTITION order_9310;
```

3. Add the partition to the most recent time interval.

```
ALTER TABLE order ADD PARTITION order_9411;
```

4. Re-create the global index partitions.

```
ALTER INDEX order_ix_cust REBUILD PARTITION order_ix_cust_AH;
ALTER INDEX order_ix_cust REBUILD PARTITION order_ix_cust_IP;
ALTER INDEX order_ix_cust REBUILD PARTITION order_ix_cust_QZ;
```



Ordinarily, the database acquires sufficient locks to ensure that no operation (DML, DDL, or utility) interferes with an individual DDL statement, such as ALTER TABLE ... DROP PARTITION. However, if the partition maintenance operation requires several steps, it is the database administrator's responsibility to ensure that applications (or other maintenance operations) do not interfere with the multistep operation in progress. Some methods for doing this are:

- Bring down all user-level applications during a well-defined batch window.
- Ensure that no one can access table `order` by revoking access privileges from a role that is used in all applications.

## Viewing Information About Partitioned Tables and Indexes

The following views display information specific to partitioned tables and indexes:

| View  | Description  |
|---|--|
| DBA_PART_TABLES<br>ALL_PART_TABLES<br>USER_PART_TABLES                                  | DBA view displays partitioning information for all partitioned tables in the database. ALL view displays partitioning information for all partitioned tables accessible to the user. USER view is restricted to partitioning information for partitioned tables owned by the user. |
| DBA_TAB_PARTITIONS<br>ALL_TAB_PARTITIONS<br>USER_TAB_PARTITIONS                         | Display partition-level partitioning information, partition storage parameters, and partition statistics generated by the DBMS_STATS package or the ANALYZE statement.   |
| DBA_TAB_SUBPARTITIONS<br>ALL_TAB_SUBPARTITIONS<br>USER_TAB_SUBPARTITIONS                | Display subpartition-level partitioning information, subpartition storage parameters, and subpartition statistics generated by the DBMS_STATS package or the ANALYZE statement.  |
| DBA_PART_KEY_COLUMNS<br>ALL_PART_KEY_COLUMNS<br>USER_PART_KEY_COLUMNS                   | Display the partitioning key columns for partitioned tables.   |
| DBA_SUBPART_KEY_COLUMNS<br>ALL_SUBPART_KEY_COLUMNS<br>USER_SUBPART_KEY_COLUMNS          | Display the subpartitioning key columns for composite-partitioned tables (and local indexes on composite-partitioned tables).  |
| DBA_PART_COL_STATISTICS<br>ALL_PART_COL_STATISTICS<br>USER_PART_COL_STATISTICS          | Display column statistics and histogram information for the partitions of tables.  |
| DBA_SUBPART_COL_STATISTICS<br>ALL_SUBPART_COL_STATISTICS<br>USER_SUBPART_COL_STATISTICS | Display column statistics and histogram information for subpartitions of tables.   |
| DBA_PART_HISTOGRAMS<br>ALL_PART_HISTOGRAMS<br>USER_PART_HISTOGRAMS                      | Display the histogram data (end-points for each histogram) for histograms on table partitions.   |
| DBA_SUBPART_HISTOGRAMS<br>ALL_SUBPART_HISTOGRAMS<br>USER_SUBPART_HISTOGRAMS             | Display the histogram data (end-points for each histogram) for histograms on table subpartitions.  |

| View  | Description   |
|---|---|
| DBA_PART_INDEXES<br>ALL_PART_INDEXES<br>USER_PART_INDEXES                               | Display partitioning information for partitioned indexes.   |
| DBA_IND_PARTITIONS<br>ALL_IND_PARTITIONS<br>USER_IND_PARTITIONS                         | Display the following for index partitions: partition-level partitioning information, storage parameters for the partition, statistics collected by the DBMS_STATS package or the ANALYZE statement.                |
| DBA_IND_SUBPARTITIONS<br>ALL_IND_SUBPARTITIONS<br>USER_IND_SUBPARTITIONS                | Display the following information for index subpartitions: partition-level partitioning information, storage parameters for the partition, statistics collected by the DBMS_STATS package or the ANALYZE statement. |
| DBA_SUBPARTITION_TEMPLATES<br>ALL_SUBPARTITION_TEMPLATES<br>USER_SUBPARTITION_TEMPLATES | Display information about existing subpartition templates.  |

**See Also:**

- *Oracle Database Reference* for complete descriptions of these views
- *Oracle Database Performance Tuning Guide* and *Oracle Database Performance Tuning Guide* for information about histograms and generating statistics for tables
- *Oracle Database Administrator's Guide* for more information about analyzing tables, indexes, and clusters

---

---

# Using Partitioning for Information Lifecycle Management

This chapter discusses the components in Oracle Database which can build an Information Lifecycle Management (ILM) strategy to manage and maintain data.

Although most organizations have long regarded their stores of data as one of their most valuable corporate assets, how this data was managed and maintained varies enormously. Originally, data was used to help achieve operational goals, run the business, and help identify the future direction and success of the company.

However, new government regulations and guidelines are a key driving force in how and why data is being retained, as they are now requiring organizations to retain and control information for very long periods of time. Consequently, today there are two additional objectives IT managers are trying to satisfy: to store vast quantities of data, for the lowest possible cost; and to meet the new regulatory requirements for data retention and protection.

This chapter contains the following topics:

- [What Is ILM?](#)
- [Implementing ILM Using Oracle Database](#)
- [The Benefits of an Online Archive](#)
- [Oracle ILM Assistant](#)
- [Implementing an ILM System Manually](#)

## What Is ILM?

Information today comes in a wide variety of types, for example an E-mail message, a photograph, or an order in an Online Transaction Processing System. After you know the type of data and how it is used, you have an understanding of what its evolution and final destiny is likely to be.

One challenge facing each organization is to understand how its data evolves and grows, monitor how its usage changes over time, and decide how long it should survive, while adhering to all the rules and regulations that now apply to that data. Information Lifecycle Management (ILM) is designed to address these issues, with a combination of processes, policies, software, and hardware so that the appropriate technology can be used for each stage in the lifecycle of the data.

## Oracle Database for ILM

Oracle Database provides the ideal platform for implementing an ILM solution, because it offers:

- **Application Transparency**

Application Transparency is very important in ILM because it means that there is no need to customize applications and it also allows various changes to be made to the data without any impact on the applications that are using that data. Data can easily be moved at the different stages of its lifecycle and access to the data can be optimized with the database. Another important benefit is that application transparency offers the flexibility required to quickly adapt to any new regulatory requirements, again without any impact on the existing applications.
- **Fine-grained**

Oracle can view data at a very fine-grained level and group related data, whereas storage devices only see bytes and blocks.
- **Low-Cost**

With so much data to retain, using low cost storage is a key factor in implementing ILM. Because Oracle can take advantage of many types of storage devices, the maximum amount of data can be held for the lowest possible cost.
- **Enforceable Compliance Policies**

When information is kept for compliance reasons, it is imperative to show to regulatory bodies that data is being retained and managed in accordance with the regulations. Within Oracle, it is possible to define security and audit policies, which enforce and log all access to data.

### Oracle Database Manages All Types of Data

Information Lifecycle Management is concerned with all data in an organization. This includes not just structured data, such as orders in an OLTP system or a history of sales in a data warehouse, but also unstructured data, such as e-mail, documents, and images.

Although Oracle Database supports the storing of unstructured data with BLOBs and Oracle Fast Files, a sophisticated document management system is available in Oracle Content Database, when used with the Enterprise Edition. It includes role-based security to ensure that content is only accessed by authorized personnel and policies which describe what happens to the content during its lifetime.

Therefore, if all of the information in your organization is contained in an Oracle database, then you can take advantage of the features and functionality provided by the database to manage and move the data as it evolves during its lifetime, without having to manage multiple types of data stores.

## Regulatory Requirements

Today, many organizations must retain specific data for a specific time period. Failure to follow these regulations could result in organizations having to pay very heavy fines. Around the world various regulatory requirements, such as Sarbanes-Oxley, HIPAA, DOD5015.2-STD in the US and the European Data Privacy Directive in the European Union, are changing how organizations manage their data. These regulations specify what data must be retained, whether it can be changed, and for how long it must be retained, which could be for a period of 30 years or longer.

These regulations frequently demand that electronic data is secure from unauthorized access and changes, and that there is an audit trail of all changes to data and by whom. Oracle Database can retain huge quantities of data without impacting application performance. It also contains the features required to restrict access and prevent unauthorized changes to data, and can be further enhanced with Oracle Database Vault and Oracle Audit Vault. Oracle Database also provides cryptographic functions that can demonstrate that a highly privileged user has not intentionally modified data. Flashback Data Archive can show all the versions of a row during its lifetime.

## Implementing ILM Using Oracle Database

Building an Information Lifecycle Management solution using Oracle Database is quite straightforward and can be completed by following these four simple steps, although Step 4 is optional if ILM is not being implemented for compliance:

- [Step 1: Define the Data Classes](#)
- [Step 2: Create Storage Tiers for the Data Classes](#)
- [Step 3: Create Data Access and Migration Policies](#)
- [Step 4: Define and Enforce Compliance Policies](#)

### Step 1: Define the Data Classes

To make effective use of Information Lifecycle Management, the first step is to look at all the data in your organization and determine:

- What data is important, where is it stored, and what must be retained
- How this data flows within the organization
- What happens to this data over time and whether it is still needed
- The degree of data availability and protection that is needed
- Data retention for legal and business requirements

After there is an understanding of how the data is used, it can then be classified on this basis. The most common type of classification is by age or date, but other types are possible, such as by product or privacy. A hybrid classification could also be used, such as by privacy and age.

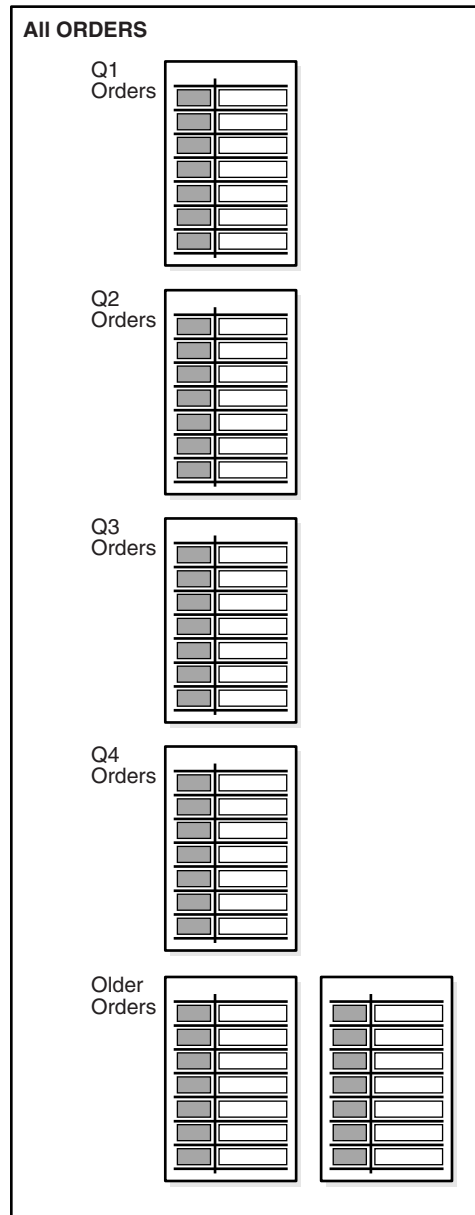
To treat the data classes differently, the data must be physically separated. When information is first created, it is often frequently accessed, but then over time it may be referenced very infrequently. For instance, when a customer places an order, they regularly look at the order to see its status and whether it has been shipped. After it arrives, they may never reference that order again. This order would also be included in regular reports that are run to see what goods are being ordered, but, over time, would not figure in any of the reports and may only be referenced in the future if someone does a detailed analysis that involves this data. Therefore, orders could be classified by the Financial Quarters Q1, Q2, Q3, and Q4, and as Historical Orders.

The advantage of using this approach is that when the data is grouped at the row level by its class, which in this example would be the date of the order, all orders for Q1 can be managed as a self contained unit, where as the orders for Q2 would reside in a different class. This can be achieved by using partitioning. Because partitions are completely transparent to the application, the data is physically separated but the application still sees all of the orders.

## Partitioning

Partitioning involves physically placing data according to a data value, and a frequently used technique is to partition information by date. [Figure 5-1](#) illustrates a scenario where the orders for Q1, Q2, Q3, and Q4 are stored in individual partitions and the orders for previous years are stored in other partitions.

**Figure 5-1 Allocating Data Classes to a Partition**



Oracle offers several different partitioning methods. Range partitioning is one frequently used partitioning method for ILM. Interval and reference partitioning are also particularly suited for use in an ILM environment.

There are multiple benefits to partitioning data. Partitioning provides an easy way to distribute the data across appropriate storage devices depending on its usage, while still keeping the data online and stored on the most cost-effective device. Because partitioning is completely transparent to anyone accessing the data, no application

changes are required, thus partitioning can be implemented at any time. When new partitions are required, they are simply added using the `ADD PARTITION` clause or they can be created automatically if interval partitioning is being used.

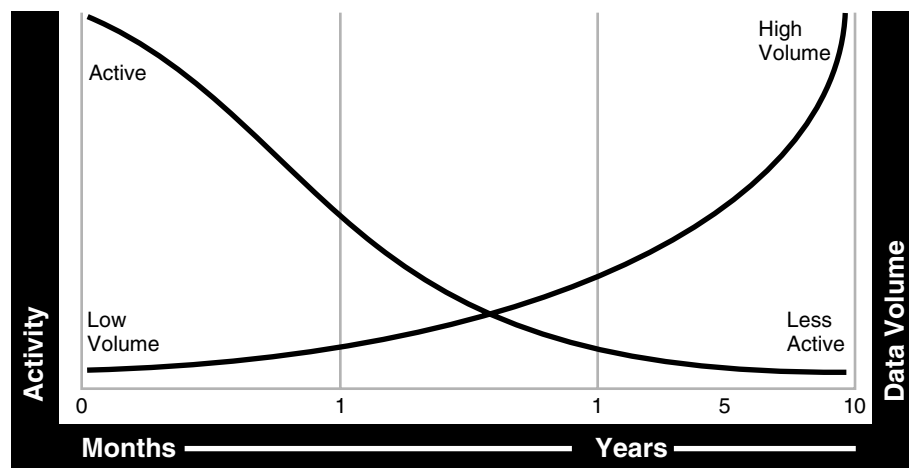
Among other benefits, each partition can have its own local index. When the optimizer uses partition pruning, queries only access the relevant partitions instead of all partitions, thus improving query response times.

### The Lifecycle of Data

An analysis of your data is likely to reveal that initially, it is accessed and updated on a very frequent basis. As the age of the data increases, its access frequency diminishes to almost negligible, if any. Most organizations find themselves in the situation where many users are accessing current data while very few users are accessing older data, as illustrated in [Figure 5-2](#). Data is considered to be: active, less active, historical, or ready to be archived.

With so much data being held, during its lifetime the data should be moved to different physical locations. Depending on where the data is in its lifecycle, it must be located on the most appropriate storage device.

**Figure 5-2 Data Usage Over Time**



## Step 2: Create Storage Tiers for the Data Classes

Because Oracle Database can take advantage of many different storage options, the next step is to establish the required storage tiers. Although you can create as many storage tiers as you require, a suggested starting point are the following tiers:

- High Performance

The high performance storage tier is where all the important and frequently accessed data would be stored, such as the partition holding our Q1 orders. This would use smaller, faster disks on high performance storage devices.

- Low Cost

The low cost storage tier is where the less frequently accessed data is stored, such as the partitions holding the orders for Q2, Q3, and Q4. This tier would be built using large capacity disks, such as those found in modular storage arrays or the low costs ATA disks, which offer the maximum amount of inexpensive storage.

- Online Archive

The online archive storage tier is where all the data that is seldom accessed or modified would be stored. It is likely to be extremely large and to store the maximum quantity of data. Various techniques can compress the data. This tier could be located in the database or it could be in another database, which serves as a central archive database for all information within the enterprise. Stored on low cost storage devices, such as ATA drives, the data would still be online and available, for a cost that is only slightly higher than storing this information on tape, without the disadvantages that come with archiving data to tape. If the Online Archive storage tier is identified as read-only, then it would be impossible to change the data and subsequent backups would not be required after the initial database backup.

- Offline Archive (optional)

The offline archive storage tier is an optional tier because it is only used when there is a requirement to remove data from the database and store it in some other format, such as XML on a tape.

Figure 5–2 illustrates how data is used over a time interval. Using this information, it can be determined that to retain all this information, several storage tiers are required to hold all of the data, which also has the benefit of significantly reducing total storage costs.

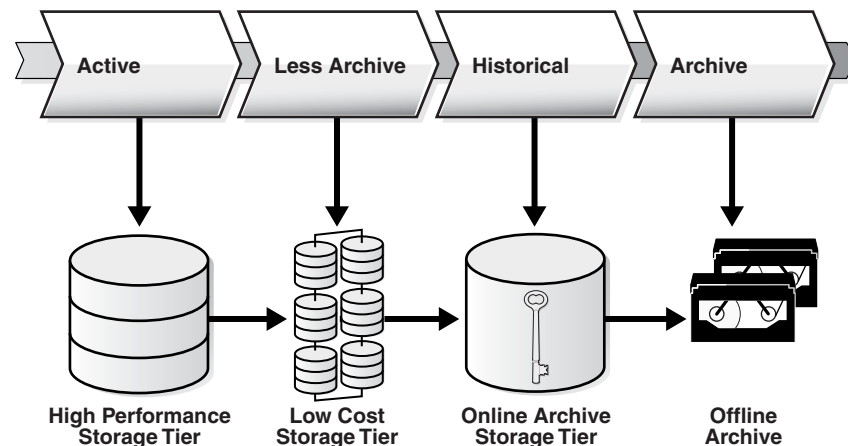
After the storage tiers have been created, the data classes identified in "[Step 1: Define the Data Classes](#)" on page 5-3 are physically implemented inside the database using partitions. This approach provides an easy way to distribute the data across the appropriate storage devices depending on its usage, while still keeping the data online and readily available, and stored on the most cost-effective device.

Note that you can also use Oracle Automatic Storage Management (Oracle ASM) to manage the data across the storage tiers. Oracle ASM is a high-performance, ease-of-management storage solution for Oracle Database files. Oracle ASM is a volume manager and provides a file system designed exclusively for use by the database. To use Oracle ASM, you allocate partitioned disks for Oracle Database with preferences for striping and mirroring. Oracle ASM manages the disk space, distributing the I/O load across all available resources to optimize performance while removing the need for manual I/O tuning. For example, you can increase the size of the disk for the database or move parts of the database to new devices without having to shut down the database.

### Assigning Classes to Storage Tiers

After the storage tiers have been defined, the data classes (partitions) identified in Step 1 can be assigned to the appropriate storage tiers. This provides an easy way to distribute the data across the appropriate storage devices depending on its usage, keeping the data online and available, and stored on the most cost-effective device. This is illustrated in [Figure 5–3](#). Using this approach, no application changes are required because the data is still seen.



**Figure 5-3 Data Lifecycle**

### The Costs Savings of using Tiered Storage

One benefit of implementing an ILM strategy is the cost savings that can result from using multiple tiered storage. Assume that we have 3 TB worth of data to store, comprised of: 200 GB on High Performance, 800 GB on Low Cost, and 2 TB on Online Archive. Assume the cost per GB is \$72 on the High Performance tier, \$14 on the Low Cost tier, and \$7 on the Online Archive tier.

Table 5-1 illustrates the possible cost savings using tiered storage, rather than storing all data on one class of storage. As you can see, the cost savings can be quite significant and, if the data is suitable for database compression, then even further cost savings are possible.

**Table 5-1 Cost Savings Using Tiered Storage**

| Storage Tier              | Single Tier using High Performance Disks | Multiple Storage Tiers | Multiple Tiers with Database Compression |
|---------------------------|--|------------------------|--|
| High Performance (200 GB) | \$14,400                                 | \$14,400               | \$14,400                                 |
| Low Cost (800 GB)         | \$57,600                                 | \$11,200               | \$11,200                                 |
| Online Archive (2 TB)     | \$144,000                                | \$14,000               | \$5,600                                  |
|                           | \$216,000                                | \$39,600               | \$31,200                                 |

## Step 3: Create Data Access and Migration Policies

The next step is to ensure that only authorized users have access to the data and to specify how to move the data during its lifetime. As the data ages, there are multiple techniques that can migrate the data between the storage tiers.

### Controlling Access to Data

The security of your data is another very important part of Information Lifecycle Management because the access rights to the data may change during its lifetime. In addition, there may be regulatory requirements that place exacting demands on how the data can be accessed.

The data in an Oracle Database can be secured using database features, such as:

- Database Security
- Views

- Virtual Private Database

Virtual Private Database (VPD) defines a very fine-grained level of access to the database. Security policies determine which rows may be viewed and the columns that are visible. Multiple policies can be defined so that different users and applications see different views of the same data. For example, the majority of users could see the information for Q1, Q2, Q3, and Q4, while only authorized users would be able to view the historical data.

A security policy is defined at the database level and is transparently applied to all database users. The benefit of this approach is that it provides a secure and controlled environment for accessing the data, which cannot be overridden and can be implemented without requiring any application changes. In addition, read-only tablespaces can be defined which ensures that the data does not change.

### **Moving Data using Partitioning**

During its lifetime, data must be moved. This may occur for the following reasons:

- For performance, only a limited number of orders are held on high performance disks
- Data is no longer frequently accessed and is using valuable high performance storage, and must be moved to a low-cost storage device
- Legal requirements demand that the information is always available for a given time interval, and it must be held safely for the lowest possible cost

There are multiple ways that data can be physically moved in Oracle Database to take advantage of the different storage tiers. For example, if the data is partitioned, then a partition containing the orders for Q2 could be moved online from the high performance storage tier to the low cost storage tier. Because the data is being moved within the database, it can be physically moved, without affecting the applications that require it or causing disruption to regular users.

Sometimes individual data items, rather than a group of data, must be moved. For example, suppose data was classified according to a level of privacy and a report, which had been secret, is now to be made available to the public. If the classification changed from secret to public and the data was partitioned on its privacy classification, then the row would automatically move to the partition containing public data.

Whenever data is moved from its original source, then it is very important to ensure that the process selected adheres to any regulatory requirements, such as, the data cannot be altered, is secure from unauthorized access, easily readable, and stored in an approved location.

## **Step 4: Define and Enforce Compliance Policies**

The last step in an Information Lifecycle Management solution is the creation of policies for compliance. When data is decentralized and fragmented, compliance policies have to be defined and enforced in every data location, which could easily result in a compliance policy being overlooked. However, using Oracle Database to provide a central location for storing data means that it is very easy to enforce compliance policies as they are all managed and enforced from one central location.

When defining compliance policies, consider the following areas:

- Data Retention
- Immutability

- Privacy
- Auditing
- Expiration

### **Data Retention**

The retention policy describes how the data is to be retained, how long it must be kept, and what happens after data life. An example of a retention policy is a record must be stored in its original form, no modifications are allowed, it must be kept for seven years, and then it may be deleted. Using Oracle Database security, it is possible to ensure that data remains unchanged and that only authorized processes can remove the data at the appropriate time. Retention policies can also be defined through a lifecycle definition in the ILM Assistant.

### **Immutability**

Immutability is concerned with proving to an external party that data is complete and has not been modified. Cryptographic or digital signatures can be generated by Oracle Database and retained either inside or outside of the database, to show that data has not been altered.

### **Privacy**

Oracle Database provides several ways to ensure data privacy. Access to data can be strictly controlled with security policies defined using Virtual Private Database (VPD). In addition, individual columns can be encrypted so that anyone looking at the raw data cannot see its contents.

### **Auditing**

Oracle Database can track all access and changes to data. These auditing capabilities can be defined either at the table level or through fine-grained auditing, which specifies the criteria for when an audit record is generated. Auditing can be further enhanced using Audit Vault.

### **Expiration**

Ultimately, data may expire for business or regulatory reasons and must be removed from the database. Oracle Database can remove data very quickly and efficiently by simply dropping the partition which contains the information identified for removal.

## **The Benefits of an Online Archive**

There usually comes a point during the lifecycle of the data when it is no longer being regularly accessed and is considered eligible for archiving. Traditionally, the data would have been removed from the database and stored on tape, because it can store vast quantities of information for a very low cost. Today, it is no longer necessary to archive that data to tape, instead it can remain in the database, or transferred to a central online archive database. All this information would be stored using low-cost storage devices whose cost per gigabyte is very close to that of tape.

There are multiple benefits to keeping all of the data in a database for archival purposes. The most important benefit is that the data always be instantly available. Therefore, time is not wasted locating the tapes where the data was archived and determining whether the tape is readable and still in a format that can be loaded into the database.

If the data has been archived for many years, then development time may also be needed to write a program to reload the data into the database from the tape archive. This could prove to be expensive and time consuming, especially if the data is extremely old. If the data is retained in the database, then this is not a problem, because it is online, and in the latest database format.

Holding the historical data in the database no longer impacts the time required to backup the database and the size of the backup. When RMAN is used to back up the database, it only includes in the backup the data that has changed. Because historical data is less likely to change, after the data has been backed up, it is not backed up again.

Another important factor to consider is how the data is to be physically removed from the database, especially if it is to be transferred from a production system to a central database archive. Oracle provides the capability to move this data rapidly between databases by using transportable tablespaces or partitions, which moves the data as a complete unit.

When it is time to remove data from the database, the fastest way is to remove a set of data. This is achieved by keeping the data in its own partition. The partition can be dropped, which is a very fast operation. However, if this approach is not possible because data relationships must be maintained, then a conventional SQL delete statement must be issued. You should not underestimate the time required to issue the delete statement.

If there is a requirement to remove data from the database and there is a possibility that the data may need to be returned to the database in the future, then consider removing the data in a database format such as a transportable tablespace, or use the XML capability of Oracle Database to extract the information in an open format.

Consider an online archive of your data into an Oracle database for the following reasons:

- The cost of disk is approaching that of tape, eliminate the time to find the tape that contains the data and the cost of restoring that data
- Data remains online when needed, faster access to meet business requirements
- Data online means immediate access, so cannot be fined by regulatory body for failing to produce data
- Use the current application to access the data, no need to waste resources to build a new application

## Oracle ILM Assistant

Oracle ILM Assistant provides a graphical user interface (GUI) for managing your ILM environment. [Figure 5–4](#) shows the first screen of the ILM Assistant, which lists the outstanding tasks that should be performed.

Figure 5–4 ILM Assistant Initial Screen

User: ADMIN

Navigation: Lifecycle Setup | Lifecycle Management | Reports | Compliance & Security | Help

Sub-navigation: Lifecycle Events Calendar | Lifecycle Events | Event Scan History

### Lifecycle Events Calendar

Lifecycle event scanning determines when it is time to move data across storage tiers, or it is ready for archiving, deletion, compression or should be set to read-only. [?](#)

Scan for Events

Previous Month with Events | Next Month with Events

Last Event Scan 03-Oct-2006 11:40 by user ADMIN

#### Overdue Events

|  |                      |             |              |
|--|----------------------|-------------|--------------|
|  | <b>Move Data:</b>    | 42 Managed, | 2 Simulated  |
|  | <b>Purge Data:</b>   | 3 Managed,  | 0 Simulated  |
|  | <b>Archive Data:</b> | 3 Managed,  | 0 Simulated  |
|  | <b>Compress:</b>     | 10 Managed, | 81 Simulated |

#### Today's Events

No events have occurred

#### Upcoming Events through 03-10-2007

|  |                      |             |              |
|--|----------------------|-------------|--------------|
|  | <b>Move Data:</b>    | 19 Managed, | 13 Simulated |
|  | <b>Purge Data:</b>   | 4 Managed,  | 0 Simulated  |
|  | <b>Archive Data:</b> | 1 Managed,  | 0 Simulated  |

Calendar: October 2006

|    |      |      |    |    |    |    |
|----|------|------|----|----|----|----|
| 01 | 02   | 03   | 04 | 05 | 06 | 07 |
|    |      |      |    |    |    |    |
|    | (32) | (83) |    |    |    |    |
| 08 | 09   | 10   | 11 | 12 | 13 | 14 |
| 15 | 16   | 17   | 18 | 19 | 20 | 21 |
| 22 | 23   | 24   | 25 | 26 | 27 | 28 |
| 29 | 30   | 31   |    |    |    |    |

The ILM Assistant provides the ability to create lifecycle definitions, which are assigned to tables in the database. Using this lifecycle definition, the ILM Assistant advises when it is time to move, archive, or delete data, as shown by the calendar. It also illustrates the storage requirements and cost savings associated with moving the data.

The ILM Assistant can manage only partitioned tables. For nonpartitioned tables, the ILM Assistant generates a script to show how the table could be partitioned, and it also provides the capability to simulate partitioning on a table to view the actions that would arise if the table were partitioned.

The ILM Assistant does not execute any commands for the tasks it recommends to be performed, such as migrating data to different storage tiers. Instead, it generates a script of the commands that must be executed.

To assist with managing compliance issues, the ILM Assistant shows all Virtual Private Databases (VPD) and Fine-Grained Audit (FGA) policies that have been defined on tables under ILM control. In addition, both Database and FGA audit records can be viewed and digital signatures generated and compared.

Oracle ILM Assistant requires that Oracle Application Express is installed in the database where the tables to be managed by the ILM Assistant reside.

The ILM Assistant provides capability in the following areas:

- Lifecycle Setup
- Lifecycle Management
- Compliance & Security
- Reports

## Lifecycle Setup

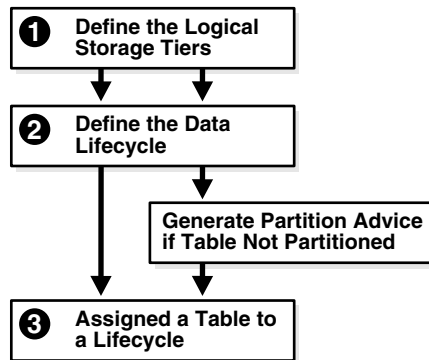
The **Lifecycle Setup** area of the ILM Assistant consists of the following tasks that must be performed to prepare for managing your data:

- Logical Storage Tiers
- Lifecycle Definitions
- Lifecycle Tables
- Preferences

If this is the first time that you have used the ILM Assistant, then it is here where you specify exactly how the data is to be managed by the ILM Assistant. The following steps must be completed before the ILM Assistant can give advice on data placement, as illustrated in [Figure 5-5](#).

1. Define the logical storage tiers
2. Define the lifecycle definitions
3. Select tables to be managed by the lifecycle definitions

**Figure 5-5 ILM Assistant: Specifying How Data is Managed**



Other options available within setup include the ability to:

- View partition simulation
- View a lifecycle summary of mapped tables and their logical storage tiers and lifecycle definitions
- View storage costs
- Define policy notes
- Customize the ILM Assistant with preferences

### Logical Storage Tiers

A logical storage tier is a name given to a logical group of storage devices; typically all disks of the same type are identified by that name. For example, the group called High Performance could refer to all the high performance disks. Any number of logical storage tiers may be defined and the devices are identified by the assigned tablespaces, which reside upon them.

The Cost per GB value must be a value greater than zero. The value is used by the ILM Assistant to project storage costs when data is mapped to the tier. It is recommended that you enter a value that represents a reasonably accurate cost of storing data on the tier. This would include the physical purchase price of a device. However, you might also want to consider other associated costs, such as maintenance and running costs.

Each storage tier has a set of assigned tablespaces that are labeled as a read/write preferred tablespace, read-only preferred tablespace, or a secondary tablespace. If

read/write data can be migrated onto the tier, then the read/write preferred tablespace is required. If the storage tier accepts read-only data, then a read-only preferred tablespace must also be identified.

In addition to the preferred tablespaces, one or more secondary tablespaces may be assigned to the tier. Secondary tablespaces are typically located in the same location as the read/write preferred tablespace for the storage tier.

Because the ILM Assistant only supports a single preferred tablespace, any read/write data that must reside on the tier would generate a migration event to move the data to the read/write preferred tablespace. To avoid unnecessary data migration events, the ILM Assistant allows existing data to remain on a secondary tablespace for the storage tier.

## Lifecycle Definitions

A lifecycle definition describes how data migrates across the logical storage tiers during its lifetime. It consists of one or more lifecycle stages that select a logical storage tier, data attributes such as compression and read only, and a duration for data residing on that lifecycle stage.

A lifecycle definition is valid if it contains at least one lifecycle stage. There must be a final stage, which is either user specified or automatically generated by the ILM Assistant upon completion of the lifecycle definition process. For the final stage you must specify what happens to data at lifecycle end.

A lifecycle definition consists of multiple stages that describe what happens to data during its lifetime. Lifecycle stages are initially created in reverse time order (that is, working backward in time from the current date). Every stage must have a unique name; an optional description can be supplied.

If the stage is not the final stage, then you must specify how long the data is to remain on this stage and any stage attributes such as whether the data should be compressed or set to read only. Note that it is only possible to specify a read only stage if a preferred read only tablespace has been defined for the logical storage tier for this stage.

The current stage represents the present, but can span any length of time. A lifecycle can only have one current stage. The final stage is required as it describes what happens when data reaches its end-of-life. A lifecycle can only have one final stage and it is automatically created if the user does not create one. Possible actions are:

- Purge the data
- Archive the data off-line
- Allow the data to remain on-line

Stages that store data on-line also permit several attributes to be defined that affect the data. The supported attributes are:

- Compress
- Compress and Read-Only
- Read-Only

Each stage consists of the following information:

- Stage Type
  - A stage is classified as a current stage, final stage, or unclassified.
- Stage Name

- Displays the user-supplied name of the stage.
- Stage Description
  - Displays the user-supplied stage description.
- Action
  - Displays the action performed when data maps to the stage. Possible actions are:
    - Remain Online
    - Archive Offline
    - Purge
- Tier Name
  - Displays the storage tier associated with the stage. For a stage that purges data or moves data offline, a tier is not specified.
- Attributes
  - Displays the optional data attributes that are applied to data when it maps to the stage. Possible values are:
    - Compress
    - Compress and Read-Only
    - Read-Only
- Stage Duration
  - Displays the length of time the data can remain mapped to the stage.
- Stage Start Date
  - Displays the actual calendar date for the beginning of the stage. The date is computed based on the adjacent stages and the user-specified fiscal start date.
- Stage End Date
  - Displays the actual calendar date for the end of the stage. The date is computed based on the adjacent stages and the user-specified fiscal start date.

### Lifecycle Tables

The **Lifecycle Tables** area identifies those tables that may be managed by the ILM Assistant, and it is here where these tables are mapped to a lifecycle definition, as illustrated in [Figure 5-6](#). A database may contain many tables, only some of which you want to consider as candidates for ILM. A table is automatically eligible if it is range partitioned on a date column. When the table is associated with a lifecycle definition, the ILM Assistant can manage its data. For tables having no partitioning, storage cost savings and storage tier migration can be modeled using a simulated partitioning strategy.



Figure 5-6 ILM Assistant: Lifecycle Tables

ORACLE<sup>®</sup> ILM Assistant

Skip Navigation Print Logout

User: ADMIN Lifecycle Setup Lifecycle Management Reports Compliance & Security Help

Logical Storage Tiers Lifecycle Definitions Lifecycle Tables Preferences

**Lifecycle Tables** Refresh Table List

Shows all tables within the view of the ILM Assistant. Candidate tables can be managed by the ILM Assistant. For tables having no partitioning, storage cost savings and storage tier migration can be modeled using a simulated partitioning strategy. Last table list refresh: 16-May-2007 16:34

Filter Options

Show All  Managed Tables  Simulated Tables  Candidate Tables  Ineligible Tables

|  | Table Owner | Table Name           | Storage Size (GB) | Data Reads | Data Writes | Lifecycle Definition | Lifecycle Status | Table Partitioning | Cost Savings | Partition Map |
|--|-------------|----------------------|-------------------|------------|-------------|----------------------|------------------|--------------------|--------------|---------------|
|  | PD          | CC_TRAN              | 7,062             | 0          | 0           | Credit Cards         | Managed          | Implemented        | \$459,015    |               |
|  | PD          | ALLORDERS            | 5,516             | 0          | 0           | AllOrders            | Simulated        | Simulated          | \$372,889    |               |
|  | PD          | SALES                | 0                 | 0          | 0           |                      | Candidate        | None               |              |               |
|  | PD          | PART_ORDERS          | 0                 | 0          | 0           |                      | Candidate        | Implemented        |              |               |
|  | SH          | SALES                | 0                 | 0          | 0           |                      | Candidate        | Implemented        |              |               |
|  | SH          | CUSTOMERS            | 0                 | 0          | 0           |                      | Candidate        | None               |              |               |
|  | SH          | COSTS                | 0                 | 0          | 0           |                      | Candidate        | Implemented        |              |               |
|  | SH          | FWEEK_PSCAT_SALES_MV | 0                 | 0          | 0           |                      | Candidate        | None               |              |               |
|  | SH          | TIMES                | 0                 | 0          | 0           |                      | Candidate        | None               |              |               |
|  | SH          | PROMOTIONS           | 0                 | 0          | 0           |                      | Candidate        | None               |              |               |

row(s) 1 - 10 of 17 Next

If the table is not yet partitioned, then you are directed to a **Partition Simulation** page where you can setup a full simulation. Similar to setting up a managed table, a simulation can be previewed and accepted on this page. Upon returning from the simulation page, the table is now eligible for full lifecycle management in simulation mode.

The difference between a managed table and a simulated table is that a managed table contains actual partitions while a simulated table only contains fake partitioning data. All reports and event detection work with both types of lifecycle tables. However, any table upon which partitioning is being simulated is only seen as being partitioned from within the ILM Assistant. All other tools continue to see it as a nonpartitioned table.

Though the lifecycle tables view shows all accessible tables, the ILM Assistant may not be able to manage every table. In those cases, the table is marked as ineligible and a link is provided to explain the exception. Some examples of ineligible tables are:

- Tables having no date column
- Tables partitioned on non-date columns
- Tables partitioned using a partition type other than range
- Tables containing a LONG column
- Index-organized tables

The display for Lifecycle Tables can be customized to show managed, simulated, candidate, and ineligible tables, and includes the following information:

- Table Owner  
The Oracle schema that owns the table
- Table Name  
The table that may allow ILM management

- **Storage Size**

The current estimated size of the table. The value is scaled according to the Size Metric as specified within the Filter Options.
- **Data Reads**

The current sum of all logical and physical reads for the table.
- **Data Writes**

The current sum of all physical writes for the table.
- **Lifecycle Definition**

If the ILM Assistant is managing the table, then the required lifecycle definition is displayed here.
- **Lifecycle Status**

Provides the current status of the table. This indicates whether the table is eligible, is managed, or is simulated. For tables that are ineligible, the status link provides an explanation regarding its incompatibility with the ILM Assistant.
- **Table Partitioning**

Provides a status of the table partitioning. A table can have partitioning implemented, simulated, or none.
- **Cost Savings**

When the ILM Assistant is managing a table, a total cost-savings value is computed and displayed here.
- **Partition Map**

Indicates that the current table partitioning scheme is compatible with the lifecycle definition. Clicking on the icon displays a detailed report of the table partitions.

**Lifecycle Table List** For installations having many tables, the ILM Assistant provides a table list caching system to prevent long page waits and possible browser timeouts. The table list is a snapshot of all user tables on the system that should be periodically refreshed to maintain consistency within the ILM Assistant. Typically, the table list should be refreshed when application tables have been added, changed, or removed outside of the ILM Assistant, or when up-to-date table statistics are desired.

By default, a table list refresh operation attempts to scan for every table defined in the database. For large application environments, this can take a long time to complete. Typically, ILM Assistant management of tables is limited to a small number of tables. To avoid refreshing the table list with the entire set of tables found in the database, filtering may be used to narrow the number of tables to be scanned. For example, if the user was only interested in managing tables in the `SH` schema, the Table Owner Filter can be set to `SH`. To estimate the time it may take to do refresh, click **Estimate Refresh Statistics**. This returns the projected number of tables that match the filters and the time it takes to process the data.

Purging unused entries in the cache cleans up a cache that contains any entries that are not currently managed by the ILM Assistant. It does not affect any of the tables that currently match the filters.

As a guideline, the ILM Assistant can refresh the table list at a rate of 300 to 350 tables per minute. The operation may be interrupted from the **Lifecycle Tables** screen. An interrupt stops the refresh operation as if it has reached the normal end of the table

scan. Because of the nature of the process, an interrupt can take up to 30 seconds to stop the actual scan operation.

**Partition Map** The **Partition Map** column in the Lifecycle Tables Report indicates whether all the partitions in the table fits inside a stage and do not overlap stages. The Mapping Status indicates the quality of the partition-to-stage relationship. A green check mark indicates the partition resides completely within the stage without violating date boundaries. A warning icon indicates some type of mismatch. Possible exceptions for the stage mapping are:

- Misaligned partitions

A partition can be misaligned when it cannot fit into an entire stage. This can happen if the lifecycle stage duration is smaller than the smallest partition range. To resolve this misalignment, either choose a better lifecycle definition to manage the table or adjust the stage duration by editing the lifecycle definition.

- Tablespace is not associated with a logical storage tier

This is very common for new ILM Assistant users. To perform cost analysis, the ILM Assistant must associate all referenced tablespaces with a tier. Typically, the easiest correction is to edit a logical storage tier and add the missing tablespace as a secondary tablespace.

**Storage Costs** The ILM Assistant provides a comprehensive storage cost and savings report associated with the managed or simulated table, as illustrated in [Figure 5-7](#).

**Figure 5-7 ILM Assistant: Partitioning for Simulated Tables**

Partitioning for Simulated Table PD.SALES

Constructs a partition strategy based on a lifecycle definition for a table. If you have not purchased the Partitioning Option or wish to test a partitioning strategy, then the ILM Assistant will simulate partitioning and management of the table. If you have the Partitioning Option, then a SQL script can be generated and used to implement the partitioning strategy.

Lifecycle Definition: Sales  
 Partitioning Column: TIME\_ID  
 Estimated Compression Factor: 2.57  
 Number of Rows: 155092900000  
 Average Row Length: 41  
 Data Range Start Date: 01-Jan-1998  
 Data Range End Date: 16-May-2007  
 Partition Date Interval: 1 Month  
 Partition Count: 114

| Data Compression  | Single Tier |                 | Multiple Tiers  |                 |
|-------------------|-------------|-----------------|-----------------|-----------------|
|                   | None        | Estimated       | None            | Estimated       |
| Storage Size (GB) | 5,922       | 2,432           | 5,922           | 2,432           |
| Storage Cost      | \$426,391   | \$175,132       | \$62,785        | \$33,650        |
| Savings           |             | \$251,260 (59%) | \$363,607 (85%) | \$392,741 (92%) |

Partition Details | Storage Cost Details

| Partition Name     | Tablespace Name | Low Key Value | High Key Value | Lifecycle Stage Name | Stage Earliest Date | Stage Latest Date | Storage Tier     | Storage Size (GB) | Storage Cost |
|--------------------|-----------------|---------------|----------------|----------------------|---------------------|-------------------|------------------|-------------------|--------------|
| PFUTURE            | ORDERS_Q4_2006  | 01-Jun-2007   | -              | Unassigned           | -                   | -                 | High Performance | 0                 | \$0          |
| P20070501_20070531 | ORDERS_Q4_2006  | 01-May-2007   | 31-May-2007    | New Orders           | 01-Feb-2007         | 31-May-2007       | High Performance | 52                | \$3,773      |
| P20070401_20070430 | ORDERS_Q4_2006  | 01-Apr-2007   | 30-Apr-2007    | New Orders           | 01-Feb-2007         | 31-May-2007       | High Performance | 52                | \$3,773      |
| P20070301_20070331 | ORDERS_Q4_2006  | 01-Mar-2007   | 31-Mar-2007    | New Orders           | 01-Feb-2007         | 31-May-2007       | High Performance | 52                | \$3,773      |
| P20070201_20070228 | ORDERS_Q4_2006  | 01-Feb-2007   | 28-Feb-2007    | New Orders           | 01-Feb-2007         | 31-May-2007       | High Performance | 52                | \$3,773      |

The report is divided into two main areas. The top portion of the report is a rollup showing the totals for the managed or simulated tables. For managed tables, there are two subsections that show data for a non-ILM environment using a single storage tier and an ILM managed, multitier environment. For simulated tables, a third section shows an ILM managed, multitier environment that includes the estimated effects of compression.

The bottom section of the storage costs page is the detail section that breaks up the cost areas by logical storage tier:

- **Single-Tier Size**

Displays the total size of the entities. For a lifecycle-based report, the value represents the sum of all table sizes that are assigned the current lifecycle definition. For managed tables, the size is the actual size as indicated by the database storage statistics. For simulated tables, the size is the projected size as calculated by the user-specified number of rows and average row length.
- **Single-Tier Cost**

Displays the single-tier cost, which is calculated by multiplying the single-tier size of the current entities by the cost of storing the data on the most expensive tier within the lifecycle definition.
- **Cost per GB**

Displays the user-specified cost when setting up the storage tier. The value is used to calculate the storage costs for partitions that are assigned to the tier.
- **Multitier Size**

Displays the total size of the entities that reside on that tier. For lifecycles, it represents all table partitions that are associated with the current tier. For a table, it represents the sum of all partitions that are associated with the tier. The size does not include any projected compression.
- **Multitier Cost**

Displays the cost, which is calculated by multiplying the cost per gigabyte for the current tier by the space occupied by the entities. For lifecycles, it represents all table partitions that are associated with the current tier. For a table, it represents the sum of all partitions that are associated with the tier.
- **Multitier Savings**

Displays the savings, which is computed by subtracting the multitier cost from the calculated cost of storing the same data using the single-tier approach.
- **Percent Savings**

Displays the ratio of multitier savings to the single-tier cost for the same data.
- **Multitier Compressed Size**

Displays the total size of the entities that reside on that tier. For lifecycles, it represents all table partitions that are associated with the current tier. For a table, it represents the sum of all partitions that are associated with the tier. The size includes projected compression based on the estimated compression factor assigned by the user.

This report item is only present when viewing simulated table data.
- **Multitier Compressed Cost**

Displays the cost, which is calculated by multiplying the cost per gigabyte for the current tier by the space occupied by the entities. For lifecycles, it represents all table partitions that are associated with the current tier. For a table, it represents the sum of all partitions that are associated with the tier. The size includes projected compression based on the estimated compression factor assigned by the user.

This report item is only present when viewing simulated table data.
- **Multitier Compressed Savings**

Displays the savings, which is computed by subtracting the multitier compressed cost from the calculated cost of storing the same data using the single-tier approach.

This report item is only present when viewing simulated table data.

- Percent Savings

Displays the ratio of multitier compressed savings to the single-tier cost for the same data.

This report item is only present when viewing simulated table data.

- Lifecycle Stages Compressed

When setting up lifecycle stages, the user has the option of requiring the partitions to be compressed when assigned to the stage. This value shows the number of stages assigned to the storage tier that have the compressed attribute set.

- Partitions Compression

Displays the number of partitions on the storage tier that are currently compressed.

**Partition Simulation** Implementing partitioning is likely to be a major task for any organization and the ILM Assistant enables you to model the impact before actually reorganizing the data. To achieve this modeling, the ILM Assistant requires the following information in simulation mode:

- Lifecycle Definition

Select a lifecycle definition that is used to manage the simulated table. The simulated partitions are derived from the lifecycle stages defined in the lifecycle. The ILM Assistant determines the optimal date range based on the stage duration information supplied.

- Partitioning Column

Select a suitable date column as the partitioning key. If the current table has only one date column, then the column automatically is selected and displayed in read-only form.

- Partition Date Interval

Displays the optimal partition range interval based on the selected lifecycle definition. The ILM Assistant computes an interval that guarantees that all generated partitions properly align with the lifecycle stages.

- Number of Rows

Provide the number of rows in the current table. The default value is retrieved from the current tables database statistics. If the default value is unavailable, or you want to project future growth, you may enter any value greater than zero.

- Average Row Length

Provide the average row length for the table. The default value is retrieved from the current tables database statistics. If the statistics are not valid, then the ILM Assistant queries the table and calculate a maximum row size. If the default value is unsuitable, or you want to project future growth, then you may enter any value greater than zero.

- Estimated Compression Factor

Provide a compression factor. The compression factor is used exclusively by the ILM Assistant to estimate storage costs and savings. The factor is purely an estimate, but can give you savings potential. A value of one indicates no compression is projected. A value greater than one indicates a reduction in space using the formula  $\text{reduction} = 1 / \text{factor}$ . The default value is calculated by sampling a small percentage of the table for compression potential.

An additional option after previewing the simulation is Migration Script generation, as illustrated in [Figure 5-7](#) on page 5-17. This functionality enables the user to create a script that can convert the existing nonpartitioned table to a partitioned counterpart. It should be noted that the script contains a simple create operation and a command to migrate the existing data; however, parts of the script have been commented out to prevent accidental operation. A conversion of a table to a partitioned table should be carefully planned.

## Preferences

Preferences control various aspects of the ILM Assistant's behavior and display of data (for example, the default date format for most entered values and reports, or the default number of rows to display). The following preferences can be set:

- Compression sample block count
- Compression sample percent
- Date format (Long form)
- Date format (Short form)
- Demonstration Mode

Specifies a factor that amplifies the actual table sizes. A value of one effectively disables the mode because multiplying a number by one does not change the original value.

- Language preference
- Lifecycle table view filter

Specifies the default selection to view when visiting the Lifecycle Tables page. Values can be combined to indicate multiple types of tables. For example, 3 indicates that both managed and simulated tables are to be shown. Possible values are:

1 - Managed Tables  
2 - Simulated Tables  
4 - Candidate Tables  
8 - Ineligible Tables

The default value is 7, which excludes ineligible tables.

- Maximum report rows to display
- Maximum viewable tables
- Refresh rate for progress monitoring
- Report column maximum display length
- Start page for lifecycle setup

Possible values are:

- Logical Storage Tiers

- Lifecycle Definitions
- Lifecycle Tables
- Storage size metric
 

Specifies the default size metric to be used when viewing storage size values. Possible values are:

  - KB - Kilobytes
  - MB - Megabytes
  - GB - Gigabytes
  - TB - Terabytes

The value is case sensitive.

## Lifecycle Management

**Lifecycle Management** is concerned with the tasks that must be performed to move data to the correct place in the Information Lifecycle. Information is available on the following:

- Lifecycle Events Calendar
- Lifecycle Events
- Event Scan History

### Lifecycle Events Calendar

The **Lifecycle Events Calendar** shows the calendar of previous, current, and (optionally,) future lifecycle events that must be performed to place data at the appropriate place in the information lifecycle, as illustrated in [Figure 5-5](#) on page 5-12. You can use the **Previous Month with Events** button to navigate to previous months containing lifecycle events.

To identify which data must be moved, click the **Scan for Events** button which asks whether to scan for all events up to the current day, or into the future. Additionally, you may choose to evaluate all tables or selected tables. The ILM Assistant then compares the current location of data with where it should be stored in accordance with the lifecycle definition and recommend the appropriate movement. It also advises if data should be compressed or set to read only as defined by the lifecycle definition. All the recommendations made by the ILM Assistant are applied to partitions only.

### Lifecycle Events

The **Lifecycle Events** report shows details about data migration events and provides a way to generate scripts to perform their actions. You can select some or all of the displayed events by clicking the check boxes in the first column. You must select events to generate scripts or to dismiss events. To generate a script on the selected events, click the **Generate Script** button. To dismiss the selected events to make them permanently disappear, click the **Dismiss Selected Events** button.

The event summary shows the following pieces of information:

- Recommended Action
 

Indicates the type of event that was detected by the scan operation. Possible event types are:

  - MOVE PARTITION

Indicates that a partition should be moved from its current logical storage tier to a new logical storage tier. The movement is achieved by moving the partition from one tablespace to another.

- COMPRESSION

Indicates that the partition should have data compression enabled.

- READ-ONLY

Indicates that the partition should be set to read-only.

- PURGE

Indicates that the partition should be physically deleted.

- Partition Name

Describes the affected partition.

- Current Tier

Describes the current location of the partition.

- Recommended Tier

Describes the target storage tier for move operations.

- Cost Savings

Indicates the potential storage cost savings if the event action were to be implemented.

- Table Owner and Name

Describes the partition table owner and name.

- Event Date

Indicates the date on which the action should be performed. For events that should have been resolved, a single keyword **Past** is shown; for events in the future, a calendar date is displayed.

- Event Details

Provides a link to event details. This area describes lifecycle details that affected the scan operation.

When a partition requires several logical operations such as move and compress, the ILM Assistant displays the operations as separate events. However, in the script, the operations may be combined into a single SQL DDL statement.

The ILM Assistant currently does not have any archive capability. Therefore, selecting archive events generates a script that identifies which partitions should now be archived and lists them as comments.

### Event Scan History

Any authorized user can invoke event scanning through the Lifecycle Events Calendar. Over time, tracking the scan activity can be quite difficult, so a history is made available.

The history report shows the following pieces of information:

- Scan Date
- Submitted by User
- Lowest Event Date



- Highest Event Date
- Table Owner and Name
- Number of Events
- Lifecycle Status

## Compliance & Security

The **Compliance & Security** area shows everything that can enforce security and help maintain compliance with the numerous regulations from around the world. It provides an area to:

- View Current Status
- Prove Immutability
- View Privacy & Security Policies
- View Auditing
- Manage Policy Notes

### Current Status

Current status summarizes the status of all the various **Compliance & Security** features that are available. For example, it advises how many Virtual Private Database (VPD) policies have been defined, when a digital signature was last generated, and when a comparison of digital signatures was last performed.

### Digital Signatures and Immutability

Some regulations stipulate that it must be shown that data has not changed since it was entered into the database. One technique that can prove that data has not been altered is to generate a digital signature.

Oracle Database provides the capability to generate a digital signature for a SQL result set. This can be generated inside the ILM Assistant and is achieved by creating a named SQL result set which includes the query to describe the collection of records. The digital signature is generated and is initially saved in a text file.

To show that the data records in a query have not been altered, a digital signature can be presented for a previously defined SQL query, and re-generated on today's data and the signatures compared, to show that the data has not changed since the digital signature was originally generated.

### Privacy & Security

The **Privacy & Security** area enables you to view:

- A summary of privacy and security definitions for each ILM table
- Virtual Private Database (VPD) policies
- Security views on tables managed by the ILM Assistant
- Reports on the access privileges granted to users for tables managed by the ILM Assistant

By default, the Lifecycle Table Summary is shown and VPD policies and user access information are available by selecting the appropriate links.

**Lifecycle Table Summary** The **Lifecycle Table Summary** provides an overview for each table regarding which features are being used in terms of VPD policies and table grants issued.

**Virtual Private Database (VPD) Policies** Using standard database privileges, it is possible to limit access to a table to certain users. However, such access allows users to read all information in that table. VPD Policies provide a finer level of control on who can access information. Using a VPD Policy, it is possible to write sophisticated functions, which define exactly which data is visible to a user.

For example, a policy could say that certain users can only view the last 12 months of data, while other users can view all of the data. Another policy could say that the only data visible is in the state where the office is located. Therefore, VPD Policies are an extremely powerful tool in controlling access to information. Only VPD policies that have been defined on tables that are being managed by the ILM Assistant are shown on the **VPD Policies** report.

**Table Access by User** The **Table Access by User** report provides a list of all the access privileges granted to users for tables that have been assigned to Lifecycle Definitions.

## Auditing

Some regulations require that an audit trail be maintained of all access and changes to data. In Oracle Database, several types of auditing are available: database and fine-grained. They each create their own audit records, which can be viewed as one consolidated report in the ILM Assistant that can be filtered on several criteria.

Within the auditing area on the ILM Assistant, it is possible to:

- View the Current Audit Status
- Manage Fine-Grained Audit Policies
- View Audit Records

**Fine-Grained Auditing Policies** Standard Auditing within the Oracle Database logs all types of access to a table. However, there may be instances when it is desirable to only audit an event when a certain condition is met (for example, the value of the transaction being altered is greater than \$10,000). This type of auditing is possible using Fine-Grained Audit policies where an audit condition can be specified and an optional function can be called for more sophisticated processing.

**View Auditing Records** It is possible within the ILM Assistant to view both database and fine-grained audit records for tables mapped to Lifecycle Definitions in the ILM Assistant. An icon represents the type of audit record: database (indicated by a disc) or FGA. Use the Filter condition to filter the audit records that are displayed and click the report heading to sort the data on that column.

By default, the ILM Assistant only displays audit records for the current day. To see audit records for previous days, you must use the filter options to specify a date range of records to display.

**Policy Notes** Policy notes provide textual documentation of your data management policies or anything to document about managing data during its lifetime. Policy notes are informational only; they do not affect the tasks performed by the ILM Assistant. They can be used as a central place to describe your policies, as reminders, and as a way to prove that your policies are documented. They can also be used to document SLA (Service Level Agreements) and to document the compliance rules that you are trying to enforce.

## Reports

The ILM Assistant offers a variety of reports on all aspects of managing the ILM environment, which include the following:

- Multitier Storage Costs by Lifecycle or Table
- Logical Storage Tier Summary
- Partitions by Table or Storage Tier
- Lifecycle Retention Summary
- Data Protection Summary

## Implementing an ILM System Manually

The following example illustrates how to manually create storage tiers and partition a table across those storage tiers and then setup a VPD policy on that database to restrict access to the online archive tier data.

### **Example 5-1 Manually implementing an ILM system**

REM Setup the tablespaces for the data

```
REM These tablespaces would be placed on a High Performance Tier
CREATE SMALLFILE TABLESPACE q1_orders DATAFILE 'q1_orders'
SIZE 2M AUTOEXTEND ON NEXT 1M MAXSIZE UNLIMITED LOGGING
EXTENT MANAGEMENT LOCAL SEGMENT SPACE MANAGEMENT AUTO ;
```

```
CREATE SMALLFILE TABLESPACE q2_orders DATAFILE 'q2_orders'
SIZE 2M AUTOEXTEND ON NEXT 1M MAXSIZE UNLIMITED LOGGING
EXTENT MANAGEMENT LOCAL SEGMENT SPACE MANAGEMENT AUTO ;
```

```
CREATE SMALLFILE TABLESPACE q3_orders DATAFILE 'q3_orders'
SIZE 2M AUTOEXTEND ON NEXT 1M MAXSIZE UNLIMITED LOGGING
EXTENT MANAGEMENT LOCAL SEGMENT SPACE MANAGEMENT AUTO ;
```

```
CREATE SMALLFILE TABLESPACE q4_orders DATAFILE 'q4_orders'
SIZE 2M AUTOEXTEND ON NEXT 1M MAXSIZE UNLIMITED LOGGING
EXTENT MANAGEMENT LOCAL SEGMENT SPACE MANAGEMENT AUTO ;
```

```
REM These tablespaces would be placed on a Low Cost Tier
CREATE SMALLFILE TABLESPACE "2006_ORDERS" DATAFILE '2006_orders'
SIZE 5M AUTOEXTEND ON NEXT 10M MAXSIZE UNLIMITED LOGGING
EXTENT MANAGEMENT LOCAL SEGMENT SPACE MANAGEMENT AUTO ;
```

```
CREATE SMALLFILE TABLESPACE "2005_ORDERS" DATAFILE '2005_orders'
SIZE 5M AUTOEXTEND ON NEXT 10M MAXSIZE UNLIMITED LOGGING
EXTENT MANAGEMENT LOCAL SEGMENT SPACE MANAGEMENT AUTO ;
```

```
REM These tablespaces would be placed on the Online Archive Tier
CREATE SMALLFILE TABLESPACE "2004_ORDERS" DATAFILE '2004_orders'
SIZE 5M AUTOEXTEND ON NEXT 10M MAXSIZE UNLIMITED LOGGING
EXTENT MANAGEMENT LOCAL SEGMENT SPACE MANAGEMENT AUTO ;
```

```
CREATE SMALLFILE TABLESPACE old_orders DATAFILE 'old_orders'
SIZE 15M AUTOEXTEND ON NEXT 10M MAXSIZE UNLIMITED LOGGING
EXTENT MANAGEMENT LOCAL SEGMENT SPACE MANAGEMENT AUTO ;
```

REM Now create the Partitioned Table

```

CREATE TABLE allorders (
  prod_id      NUMBER      NOT NULL,
  cust_id      NUMBER      NOT NULL,
  time_id      DATE        NOT NULL,
  channel_id   NUMBER      NOT NULL,
  promo_id     NUMBER      NOT NULL,
  quantity_sold NUMBER(10,2) NOT NULL,
  amount_sold  NUMBER(10,2) NOT NULL)
--
-- table wide physical specs
--
PCTFREE 5 NOLOGGING
--
-- partitions
--
PARTITION BY RANGE (time_id)
( partition allorders_pre_2004 VALUES LESS THAN
  (TO_DATE('2004-01-01 00:00:00'
    , 'YYYY-MM-DD HH24:MI:SS'
    , 'NLS_CALENDAR=GREGORIAN'
    )) TABLESPACE old_orders,
  partition allorders_2004 VALUES LESS THAN
  (TO_DATE('2005-01-01 00:00:00'
    , 'YYYY-MM-DD HH24:MI:SS'
    , 'NLS_CALENDAR=GREGORIAN'
    )) TABLESPACE "2004_ORDERS",
  partition allorders_2005 VALUES LESS THAN
  (TO_DATE('2006-01-01 00:00:00'
    , 'YYYY-MM-DD HH24:MI:SS'
    , 'NLS_CALENDAR=GREGORIAN'
    )) TABLESPACE "2005_ORDERS",
  partition allorders_2006 VALUES LESS THAN
  (TO_DATE('2007-01-01 00:00:00'
    , 'YYYY-MM-DD HH24:MI:SS'
    , 'NLS_CALENDAR=GREGORIAN'
    )) TABLESPACE "2006_ORDERS",
  partition allorders_q1_2007 VALUES LESS THAN
  (TO_DATE('2007-04-01 00:00:00'
    , 'YYYY-MM-DD HH24:MI:SS'
    , 'NLS_CALENDAR=GREGORIAN'
    )) TABLESPACE q1_orders,
  partition allorders_q2_2007 VALUES LESS THAN
  (TO_DATE('2007-07-01 00:00:00'
    , 'YYYY-MM-DD HH24:MI:SS'
    , 'NLS_CALENDAR=GREGORIAN'
    )) TABLESPACE q2_orders,
  partition allorders_q3_2007 VALUES LESS THAN
  (TO_DATE('2007-10-01 00:00:00'
    , 'YYYY-MM-DD HH24:MI:SS'
    , 'NLS_CALENDAR=GREGORIAN'
    )) TABLESPACE q3_orders,
  partition allorders_q4_2007 VALUES LESS THAN
  (TO_DATE('2008-01-01 00:00:00'
    , 'YYYY-MM-DD HH24:MI:SS'
    , 'NLS_CALENDAR=GREGORIAN'
    )) TABLESPACE q4_orders);

ALTER TABLE allorders ENABLE ROW MOVEMENT;

REM Here is another example using INTERVAL partitioning

```

```

REM These tablespaces would be placed on a High Performance Tier
CREATE SMALLFILE TABLESPACE cc_this_month DATAFILE 'cc_this_month'
SIZE 2M AUTOEXTEND ON NEXT 1M MAXSIZE UNLIMITED LOGGING
EXTENT MANAGEMENT LOCAL SEGMENT SPACE MANAGEMENT AUTO ;

CREATE SMALLFILE TABLESPACE cc_prev_month DATAFILE 'cc_prev_month'
SIZE 2M AUTOEXTEND ON NEXT 1M MAXSIZE UNLIMITED LOGGING
EXTENT MANAGEMENT LOCAL SEGMENT SPACE MANAGEMENT AUTO ;

REM These tablespaces would be placed on a Low Cost Tier
CREATE SMALLFILE TABLESPACE cc_prev_12mth DATAFILE 'cc_prev_12'
SIZE 2M AUTOEXTEND ON NEXT 1M MAXSIZE UNLIMITED LOGGING
EXTENT MANAGEMENT LOCAL SEGMENT SPACE MANAGEMENT AUTO ;

REM These tablespaces would be placed on the Online Archive Tier
CREATE SMALLFILE TABLESPACE cc_old_tran DATAFILE 'cc_old_tran'
SIZE 2M AUTOEXTEND ON NEXT 1M MAXSIZE UNLIMITED LOGGING
EXTENT MANAGEMENT LOCAL SEGMENT SPACE MANAGEMENT AUTO ;

REM Credit Card Transactions where new partitions automatically are placed on the
high performance tier
CREATE TABLE cc_tran (
  cc_no      VARCHAR2(16) NOT NULL,
  tran_dt    DATE          NOT NULL,
  entry_dt   DATE          NOT NULL,
  ref_no     NUMBER        NOT NULL,
  description VARCHAR2(30) NOT NULL,
  tran_amt   NUMBER(10,2) NOT NULL)
--
-- table wide physical specs
--
PCTFREE 5 NOLOGGING
--
-- partitions
--
PARTITION BY RANGE (tran_dt)
INTERVAL (NUMTOYMINTERVAL(1,'month')) STORE IN (cc_this_month )
( partition very_old_cc_trans VALUES LESS THAN
  (TO_DATE('1999-07-01 00:00:00'
    , 'YYYY-MM-DD HH24:MI:SS'
    , 'NLS_CALENDAR=GREGORIAN'
    )) TABLESPACE cc_old_tran ,
  partition old_cc_trans VALUES LESS THAN
  (TO_DATE('2006-07-01 00:00:00'
    , 'YYYY-MM-DD HH24:MI:SS'
    , 'NLS_CALENDAR=GREGORIAN'
    )) TABLESPACE cc_old_tran ,
  partition last_12_mths VALUES LESS THAN
  (TO_DATE('2007-06-01 00:00:00'
    , 'YYYY-MM-DD HH24:MI:SS'
    , 'NLS_CALENDAR=GREGORIAN'
    )) TABLESPACE cc_prev_12mth,
  partition recent_cc_trans VALUES LESS THAN
  (TO_DATE('2007-07-01 00:00:00'
    , 'YYYY-MM-DD HH24:MI:SS'
    , 'NLS_CALENDAR=GREGORIAN'
    )) TABLESPACE cc_prev_month,
  partition new_cc_tran VALUES LESS THAN
  (TO_DATE('2007-08-01 00:00:00'

```

```

        , 'YYYY-MM-DD HH24:MI:SS'
        , 'NLS_CALENDAR=GREGORIAN'
    )) TABLESPACE cc_this_month);

```

```

REM Create a Security Policy to allow user SH to see all credit card data,
REM PM only sees this years data,
REM and all other uses cannot see the credit card data

```

```

CREATE OR REPLACE FUNCTION ilm_seehist
    (owner IN VARCHAR2, ojname IN VARCHAR2)
    RETURN VARCHAR2 AS con VARCHAR2 (200);
BEGIN
    IF SYS_CONTEXT('USERENV','CLIENT_INFO') = 'SH'
    THEN -- sees all data
        con:= '1=1';
    ELSIF SYS_CONTEXT('USERENV','CLIENT_INFO') = 'PM'
    THEN -- sees only data for 2007
        con := 'time_id > ''31-Dec-2006''';
    ELSE
        -- others nothing
        con:= '1=2';
    END IF;
    RETURN (con);
END ilm_seehist;
/

```

```

REM Then the policy is added with the DBMS_RLS package as follows:

```

```

BEGIN
    DBMS_RLS.ADD_POLICY ( object_schema=>'SYSTEM'
                        , object_name=>'cc_tran'
                        , policy_name=>'ilm_view_history_data'
                        , function_schema=>'SYSTEM'
                        , policy_function=>'ilm_seehist'
                        , sec_relevant_cols=>'tran_dt'
                        );
END;
/

```

---

---

# Using Partitioning in a Data Warehouse Environment

This chapter describes the partitioning features that significantly enhance data access and improve overall application performance. Improvements with partitioning are especially true for applications that access tables and indexes with millions of rows and many gigabytes of data, as found in a data warehouse environment. Data warehouses often contain large tables and require techniques both for managing these large tables and for providing good query performance across these large tables.

This chapter contains the following topics:

- [What Is a Data Warehouse?](#)
- [Scalability](#)
- [Performance](#)
- [Manageability](#)

## What Is a Data Warehouse?

A data warehouse is a relational database that is designed for query and analysis rather than for transaction processing. It usually contains historical data derived from transaction data, but can include data from other sources. Data warehouses separate analysis workload from transaction workload and enable an organization to consolidate data from several sources.

In addition to a relational database, a data warehouse environment can include an extraction, transportation, transformation, and loading (ETL) solution, analytical processing and data mining capabilities, client analysis tools, and other applications that manage the process of gathering data and delivering it to business users.

**See Also:** *Oracle Database Data Warehousing Guide*

## Scalability

Partitioning helps scaling a data warehouse by dividing database objects into smaller pieces, enabling access to smaller, more manageable objects. Having direct access to smaller objects addresses the scalability requirements of data warehouses:

- [Bigger Databases](#)
- [Bigger Individual tables: More Rows in Tables](#)
- [More Users Querying the System](#)

- [More Complex Queries](#)

## Bigger Databases

The ability to split a large database object into smaller pieces transparently provides benefits to manage a larger total database size. You can identify and manipulate individual partitions and subpartitions to cope with large database objects. Consider the following advantages of partitioned objects:

- Backup and recovery can be performed on a low level of granularity to cope with the size of the database.
- Part of a database object can be stored compressed while other parts can remain uncompressed.
- Partitioning can store data transparently on different storage tiers to lower the cost of storing vast amounts of data. Refer to [Chapter 5, "Using Partitioning for Information Lifecycle Management"](#).

## Bigger Individual tables: More Rows in Tables

It takes longer to scan a big table than it takes to scan a small table. Queries against partitioned tables may access one or more partitions that are small compared with the total size of the table. Similarly, queries may take advantage of partition elimination on indexes. It takes less time to read a smaller portion of an index from disk than to read the entire index. Index structures that share the partitioning strategy with the table, local partitioned indexes, can be accessed and maintained on a partition-by-partition basis.

The database can take advantage of the distinct data sets in separate partitions if you use parallel execution to speed up queries, DML, and DDL statements. Individual parallel execution servers can work on their own data set, identified by the partition boundaries.

## More Users Querying the System

With partitioning, users are more likely to hit isolated and smaller data sets. Consequently, the database can return results faster than if all users hit the same and much larger data sets. Data contention is less likely.

## More Complex Queries

Smaller data sets help perform complex queries faster. If smaller data sets are being accessed, then complex calculations are more likely to be processed in memory which is beneficial from a performance perspective and which reduces the application's I/O requirements. A larger set may have to be written to the temporary tablespace to complete, in which case additional I/O against the database storage occurs.

## Performance

Good performance is a key to success for a data warehouse. Analyses run against the database should return within a reasonable amount of time, even if the queries access large amounts of data in tables that are terabytes in size. Partitioning provides fundamental functionality to enable successful data warehouses that are not prohibitively expensive in terms of hardware cost.



## Partition Pruning

Partition pruning is an essential performance feature for data warehouses. In partition pruning, the optimizer analyzes `FROM` and `WHERE` clauses in SQL statements to eliminate unneeded partitions when building the partition access list. This functionality enables Oracle Database to perform operations only on those partitions that are relevant to the SQL statement.

Partition pruning dramatically reduces the amount of data retrieved from disk and shortens processing time, thus improving query performance and optimizing resource utilization.

For more information about partition pruning and the difference between static and dynamic partition pruning, refer to [Chapter 3, "Partitioning for Availability, Manageability, and Performance"](#).

### Basic Partition Pruning Techniques

The optimizer uses a wide variety of predicates for pruning. The three predicate types, equality, range, and `IN`-list, are the most commonly used cases of partition pruning. As an example, consider the following query:

```
SELECT SUM(amount_sold) day_sales
FROM sales
WHERE time_id = TO_DATE('02-JAN-1998', 'DD-MON-YYYY');
```

Because there is an equality predicate on the partitioning column of `sales`, this query prunes down to a single predicate and this is reflected in the explain plan, as shown:

| Id  | Operation              | Name  | Rows | Bytes | Cost (%CPU) | Time     | Pstart | Pstop |
|-----|------------------------|-------|------|-------|-------------|----------|--------|-------|
| 0   | SELECT STATEMENT       |       |      |       | 21 (100)    |          |        |       |
| 1   | SORT AGGREGATE         |       | 1    | 13    |             |          |        |       |
| 2   | PARTITION RANGE SINGLE |       | 485  | 6305  | 21 (10)     | 00:00:01 | 5      | 5     |
| * 3 | TABLE ACCESS FULL      | SALES | 485  | 6305  | 21 (10)     | 00:00:01 | 5      | 5     |

Predicate Information (identified by operation id):

```
3 - filter("TIME_ID"=TO_DATE('1998-01-02 00:00:00', 'yyyy-mm-dd hh24:mi:ss'))
```

Similarly, a range or an `IN`-list predicate on the `time_id` column and the optimizer would be used to prune to a set of partitions. The partitioning type plays a role in which predicates can be used. Range predicates cannot be used for pruning on hash partitioned tables while they can be used for all other partitioning strategies. However, on list-partitioned tables, range predicates may not map to a contiguous set of partitions. Equality and `IN`-list predicates can prune with all the partitioning methods.

### Advanced Partition Pruning Techniques

Oracle also prunes in the presence of more complex predicates or SQL statements involving partitioned tables. A common situation is when a partitioned table is joined to the subset of another table, limited by a `WHERE` condition. For example, consider the following query:

```
SELECT t.day_number_in_month, SUM(s.amount_sold)
FROM sales s, times t
WHERE s.time_id = t.time_id
AND t.calendar_month_desc='2000-12'
GROUP BY t.day_number_in_month;
```

If the database performed a nested loop join with `times` on the right hand side, then the query would only access the partition corresponding to this row from the `times` table, so pruning would implicitly take place. But, if the database performed a hash or sort merge join, this would not be possible. If the table with the `WHERE` predicate is relatively small compared to the partitioned table, and the expected reduction of records or partitions for the partitioned table is significant, then the database performs dynamic partition pruning using a recursive subquery. The decision whether to invoke subquery pruning is an internal cost-based decision of the optimizer.

A sample plan using a hash join operation would look like the following:

```
-----
| Id| Operation                               | Name | Rows | Bytes| Cost (%CPU)| Time | Pstart | Pstop |
-----+-----+-----+-----+-----+-----+-----+-----+-----+
| 0| SELECT STATEMENT                       |      |      |      | 761 (100)  |      |        |        |
| 1|  HASH GROUP BY                         |      |      |      | 761 (41)   | 00:00:10|        |        |
|* 2|    HASH JOIN                           |      | 19153 | 598K | 749 (40)   | 00:00:09|        |        |
|* 3|      TABLE ACCESS FULL                | TIMES | 30    | 570  | 17 (6)     | 00:00:01|        |        |
| 4|        PARTITION RANGE SUBQUERY        |      | 918K  | 11M  | 655 (33)  | 00:00:08| KEY(SQ)| KEY(SQ)|
| 5|          TABLE ACCESS FULL            | SALES | 918   | 11M  | 655 (33)  | 00:00:08| KEY(SQ)| KEY(SQ)|
-----
```

Predicate Information (identified by operation id):

```
-----
PLAN_TABLE_OUTPUT
-----
```

```
2 - access("S"."TIME_ID"="T"."TIME_ID")
3 - filter("T"."CALENDAR_MONTH_DESC"='2000-12')
```

This plan shows that dynamic partition pruning occurred on the `sales` table using a subquery, as can be seen from the `KEY(SQ)` value in the `PSTART` and `PSTOP` columns.

Another example using advanced pruning is the following, which uses an `OR` predicate:

```
SELECT p.promo_name promo_name, (s.profit - p.promo_cost) profit
FROM
  promotions p,
  (SELECT
    promo_id,
    SUM(sales.QUANTITY_SOLD * (costs.UNIT_PRICE - costs.UNIT_COST)) profit
  FROM
    sales, costs
  WHERE
    ((sales.time_id BETWEEN TO_DATE('01-JAN-1998','DD-MON-YYYY',
      'NLS_DATE_LANGUAGE = American') AND
    TO_DATE('01-JAN-1999','DD-MON-YYYY', 'NLS_DATE_LANGUAGE = American')
  OR
    (sales.time_id BETWEEN TO_DATE('01-JAN-2001','DD-MON-YYYY',
      'NLS_DATE_LANGUAGE = American') AND
    TO_DATE('01-JAN-2002','DD-MON-YYYY', 'NLS_DATE_LANGUAGE = American'))
    AND sales.time_id = costs.time_id
    AND sales.prod_id = costs.prod_id
  GROUP BY
    promo_id) s
WHERE s.promo_id = p.promo_id
ORDER BY profit
DESC;
```

This query joins the `sales` and `costs` tables in the `sh` sample schema. The `sales` table is partitioned by range on the column `time_id`. One condition in the query is two predicates on `time_id`, which are combined with an `OR` operator. This `OR`

predicate is used to prune the partitions in `sales` table and a single join between the `sales` and `costs` table is performed. The plan is as follows:

| Id  | Operation          | Name       | Rows  | Bytes | TmpSp | Cost(%CPU) | Time     | Pstart  | Pstop   |
|-----|--------------------|------------|-------|-------|-------|------------|----------|---------|---------|
| 0   | SELECT STATEMENT   |            | 4     | 200   |       | 3556 (14)  | 00:00:43 |         |         |
| 1   | SORT ORDER BY      |            | 4     | 200   |       | 3556 (14)  | 00:00:43 |         |         |
| * 2 | HASH JOIN          |            | 4     | 200   |       | 3555 (14)  | 00:00:43 |         |         |
| 3   | TABLE ACCESS FULL  | PROMOTIONS | 503   | 16599 |       | 16 (0)     | 00:00:01 |         |         |
| 4   | VIEW               |            | 4     | 68    |       | 3538 (14)  | 00:00:43 |         |         |
| 5   | HASH GROUP BY      |            | 4     | 164   |       | 3538 (14)  | 00:00:43 |         |         |
| 6   | PARTITION RANGE OR |            | 314K  | 12M   |       | 3321 (9)   | 00:00:40 | KEY(OR) | KEY(OR) |
| * 7 | HASH JOIN          |            | 314K  | 12M   | 440K  | 3321 (9)   | 00:00:40 |         |         |
| * 8 | TABLE ACCESS FULL  | SALES      | 402K  | 7467K |       | 400 (39)   | 00:00:05 | KEY(OR) | KEY(OR) |
| 9   | TABLE ACCESS FULL  | COSTS      | 82112 | 1764K |       | 77 (24)    | 00:00:01 | KEY(OR) | KEY(OR) |

Predicate Information (identified by operation id):

```

2 - access("S"."PROMO_ID"="P"."PROMO_ID")
7 - access("SALES"."TIME_ID"="COSTS"."TIME_ID" AND "SALES"."PROD_ID"="COSTS"."PROD_ID")
8 - filter("SALES"."TIME_ID"<=TO_DATE('1999-01-01 00:00:00', 'yyyy-mm-dd hh24:mi:ss') AND
"SALES"."TIME_ID">=TO_DATE('1998-01-01 00:00:00', 'yyyy-mm-dd hh24:mi:ss') OR
"SALES"."TIME_ID">=TO_DATE('2001-01-01 00:00:00', 'yyyy-mm-dd hh24:mi:ss') AND
"SALES"."TIME_ID"<=TO_DATE('2002-01-01 00:00:00', 'yyyy-mm-dd hh24:mi:ss'))

```

The database also does additional pruning when a column is range partitioned on multiple columns. As long as the database can guarantee that a particular predicate cannot be satisfied in a particular partition, the partition is skipped. This allows the database to optimize cases where there are range predicates on multiple columns or in the case where there are no predicates on a prefix of the partitioning columns.

For tips on partition pruning, refer to ["Partition Pruning Tips"](#) on page 3-7.

## Partition-Wise Joins

Partition-wise joins reduce query response time by minimizing the amount of data exchanged among parallel execution servers when joins execute in parallel. This significantly reduces response time and improves the use of both CPU and memory resources.

Partition-wise joins can be full or partial. Oracle Database decides which type of join to use.

### Full Partition-Wise Joins

Full partition-wise joins can occur if two tables that are co-partitioned on the same key are joined in a query. The tables can be co-partitioned at the partition level, or at the subpartition level, or at a combination of partition and subpartition levels. Reference partitioning is an easy way to guarantee co-partitioning. Full partition-wise joins can be executed in serial and in parallel.

For more information about partition-wise joins, refer to [Chapter 3, "Partitioning for Availability, Manageability, and Performance"](#).

The following example shows a full partition-wise join on `orders` and `order_items`, in which the `order_items` table is reference partitioned.

```

CREATE TABLE orders
( order_id    NUMBER(12) NOT NULL
, order_date  DATE NOT NULL

```

```

, order_mode VARCHAR2(8)
, order_status VARCHAR2(1)
, CONSTRAINT orders_pk PRIMARY KEY (order_id)
)
PARTITION BY RANGE (order_date)
( PARTITION p_before_jan_2006 VALUES LESS THAN (TO_
DATE('01-JAN-2006','dd-MON-yyyy'))
, PARTITION p_2006_jan VALUES LESS THAN (TO_DATE('01-FEB-2006','dd-MON-yyyy'))
, PARTITION p_2006_feb VALUES LESS THAN (TO_DATE('01-MAR-2006','dd-MON-yyyy'))
, PARTITION p_2006_mar VALUES LESS THAN (TO_DATE('01-APR-2006','dd-MON-yyyy'))
, PARTITION p_2006_apr VALUES LESS THAN (TO_DATE('01-MAY-2006','dd-MON-yyyy'))
, PARTITION p_2006_may VALUES LESS THAN (TO_DATE('01-JUN-2006','dd-MON-yyyy'))
, PARTITION p_2006_jun VALUES LESS THAN (TO_DATE('01-JUL-2006','dd-MON-yyyy'))
, PARTITION p_2006_jul VALUES LESS THAN (TO_DATE('01-AUG-2006','dd-MON-yyyy'))
, PARTITION p_2006_aug VALUES LESS THAN (TO_DATE('01-SEP-2006','dd-MON-yyyy'))
, PARTITION p_2006_sep VALUES LESS THAN (TO_DATE('01-OCT-2006','dd-MON-yyyy'))
, PARTITION p_2006_oct VALUES LESS THAN (TO_DATE('01-NOV-2006','dd-MON-yyyy'))
, PARTITION p_2006_nov VALUES LESS THAN (TO_DATE('01-DEC-2006','dd-MON-yyyy'))
, PARTITION p_2006_dec VALUES LESS THAN (TO_DATE('01-JAN-2007','dd-MON-yyyy'))
)
PARALLEL;

CREATE TABLE order_items
( order_id NUMBER(12) NOT NULL
, product_id NUMBER NOT NULL
, quantity NUMBER NOT NULL
, sales_amount NUMBER NOT NULL
, CONSTRAINT order_items_orders_fk FOREIGN KEY (order_id) REFERENCES
orders(order_id)
)
PARTITION BY REFERENCE (order_items_orders_fk)
PARALLEL;

```

A typical data warehouse query would scan a large amount of data. Note that in the underlying plan, the columns Rows, Bytes, Cost (%CPU), Time, and TQ have been removed.

```

EXPLAIN PLAN FOR
SELECT o.order_date
, sum(oi.sales_amount) sum_sales
FROM orders o
, order_items oi
WHERE o.order_id = oi.order_id
AND o.order_date BETWEEN TO_DATE('01-FEB-2006','DD-MON-YYYY')
AND TO_DATE('31-MAY-2006','DD-MON-YYYY')
GROUP BY o.order_id
, o.order_date
ORDER BY o.order_date;

```

| Id | Operation                   | Name     | Pstart | Pstop | IN-OUT | PQ Distrib |
|----|-----------------------------|----------|--------|-------|--------|------------|
| 0  | SELECT STATEMENT            |          |        |       |        |            |
| 1  | PX COORDINATOR              |          |        |       |        |            |
| 2  | PX SEND QC (ORDER)          | :TQ10001 |        |       | P->S   | QC (ORDER) |
| 3  | SORT GROUP BY               |          |        |       | PCWP   |            |
| 4  | PX RECEIVE                  |          |        |       | PCWP   |            |
| 5  | PX SEND RANGE               | :TQ10000 |        |       | P->P   | RANGE      |
| 6  | SORT GROUP BY               |          |        |       | PCWP   |            |
| 7  | PX PARTITION RANGE ITERATOR |          | 3      | 6     | PCWC   |            |

|     |                   |             |   |   |      |  |
|-----|-------------------|-------------|---|---|------|--|
| * 8 | HASH JOIN         |             |   |   | PCWP |  |
| * 9 | TABLE ACCESS FULL | ORDERS      | 3 | 6 | PCWP |  |
| 10  | TABLE ACCESS FULL | ORDER_ITEMS | 3 | 6 | PCWP |  |

Predicate Information (identified by operation id):

```

8 - access("O"."ORDER_ID"="OI"."ORDER_ID")
9 - filter("O"."ORDER_DATE"<=TO_DATE(' 2006-05-31 00:00:00', 'syyyy-mm-dd hh24:mi:ss'))

```

## Partial Partition-Wise Joins

Oracle Database can perform partial partition-wise joins only in parallel. Unlike full partition-wise joins, partial partition-wise joins require you to partition only one table on the join key, not both tables. The partitioned table is referred to as the reference table. The other table may or may not be partitioned. Partial partition-wise joins are more common than full partition-wise joins.

To execute a partial partition-wise join, the database dynamically repartitions the other table based on the partitioning of the reference table. After the other table is repartitioned, the execution is similar to a full partition-wise join.

The following example shows a call detail records table, *cdrs*, in a typical data warehouse scenario. The table is interval-hash partitioned.

```

CREATE TABLE cdrs
( id                NUMBER
, cust_id           NUMBER
, from_number       VARCHAR2(20)
, to_number         VARCHAR2(20)
, date_of_call      DATE
, distance          VARCHAR2(1)
, call_duration_in_s NUMBER(4)
) PARTITION BY RANGE(date_of_call)
INTERVAL (NUMTODSINTERVAL(1,'DAY'))
SUBPARTITION BY HASH(cust_id)
SUBPARTITIONS 16
(PARTITION p0 VALUES LESS THAN (TO_DATE('01-JAN-2005','dd-MON-yyyy')))
PARALLEL;

```

The *cdrs* table is joined with the nonpartitioned *callers* table on *cust\_id* to rank the customers who spent most time calling.

```

EXPLAIN PLAN FOR
SELECT c.cust_id
,      c.cust_last_name
,      c.cust_first_name
,      AVG(call_duration_in_s)
,      COUNT(1)
,      DENSE_RANK() OVER
(ORDER BY (AVG(call_duration_in_s) * COUNT(1)) DESC) ranking
FROM   callers c
,      cdrs   cdr
WHERE  cdr.cust_id = c.cust_id
AND   cdr.date_of_call BETWEEN TO_DATE('01-JAN-2006','dd-MON-yyyy')
AND TO_DATE('31-DEC-2006','dd-MON-yyyy')

GROUP BY c.cust_id
, c.cust_last_name
, c.cust_first_name

```

```
ORDER BY ranking;
```

The execution shows a partial partition-wise join. Note that the columns Rows, Bytes, Cost (%CPU), Time, and TQ have been removed.

| Id   | Operation                   | Name     | Pstart | Pstop | IN-OUT | PQ Distrib |
|------|-----------------------------|----------|--------|-------|--------|------------|
| 0    | SELECT STATEMENT            |          |        |       |        |            |
| 1    | WINDOW NOSORT               |          |        |       |        |            |
| 2    | PX COORDINATOR              |          |        |       |        |            |
| 3    | PX SEND QC (ORDER)          | :TQ10002 |        |       | P->S   | QC (ORDER) |
| 4    | SORT ORDER BY               |          |        |       | PCWP   |            |
| 5    | PX RECEIVE                  |          |        |       | PCWP   |            |
| 6    | PX SEND RANGE               | :TQ10001 |        |       | P->P   | RANGE      |
| 7    | HASH GROUP BY               |          |        |       | PCWP   |            |
| * 8  | HASH JOIN                   |          |        |       | PCWP   |            |
| 9    | PART JOIN FILTER CREATE     | :BF0000  |        |       | PCWP   |            |
| 10   | BUFFER SORT                 |          |        |       | PCWC   |            |
| 11   | PX RECEIVE                  |          |        |       | PCWP   |            |
| 12   | PX SEND PARTITION (KEY)     | :TQ10000 |        |       | S->P   | PART (KEY) |
| 13   | TABLE ACCESS FULL           | CALLERS  |        |       |        |            |
| 14   | PX PARTITION RANGE ITERATOR |          | 367    | 731   | PCWC   |            |
| 15   | PX PARTITION HASH ALL       |          | 1      | 16    | PCWC   |            |
| * 16 | TABLE ACCESS FULL           | CDRS     | 5857   | 11696 | PCWP   |            |

Predicate Information (identified by operation id):

```

8 - access("CDR"."CUST_ID"="C"."CUST_ID")
16 - filter("CDR"."DATE_OF_CALL">=TO_DATE(' 2006-01-01 00:00:00', 'syyy-mm-dd
hh24:mi:ss') AND "CDR"."DATE_OF_CALL"<=TO_DATE('
2006-12-31 00:00:00', 'syyy-mm-dd hh24:mi:ss'))

```

### Benefits of Partition-Wise Joins

Partition-wise joins offer benefits described in the following sections:

- [Reduction of Communications Overhead](#)
- [Reduction of Memory Requirements](#)

**Reduction of Communications Overhead** When executed in parallel, partition-wise joins reduce communications overhead. This is because, in the default case, parallel execution of a join operation by a set of parallel execution servers requires the redistribution of each table on the join column into disjoint subsets of rows. These disjoint subsets of rows are then joined pair-wise by a single parallel execution server.

The database can avoid redistributing the partitions because the two tables are partitioned on the join column. This functionality enables each parallel execution server to join a pair of matching partitions. This improved performance from using parallel execution is even more noticeable in Oracle Real Application Clusters configurations with internode parallel execution.

Partition-wise joins dramatically reduce interconnect traffic. Using this feature is key for large DSS configurations that use Oracle Real Application Clusters. Currently, most Oracle Real Application Clusters platforms, such as MPP and SMP clusters, provide limited interconnect bandwidths compared with their processing powers. Ideally, interconnect bandwidth should be comparable to disk bandwidth, but this is seldom the case. Consequently, most join operations in Oracle Real Application Clusters

experience high interconnect latencies without parallel execution of partition-wise joins.

**Reduction of Memory Requirements** Partition-wise joins require less memory than the equivalent join operation of the complete data set of the tables being joined. For serial joins, the join is performed at the same time on a pair of matching partitions. If data is evenly distributed across partitions, then the memory requirement is divided by the number of partitions. There is no skew.

In the parallel case, memory requirements depend on the number of partition pairs that are joined in parallel. For example, if the degree of parallelism is 20 and the number of partitions is 100, then 5 times less memory is required because only 20 joins of two partitions are performed at the same time. The fact that partition-wise joins require less memory has a direct effect on performance. For example, the join probably does not need to write blocks to disk during the build phase of a hash join.

### Performance Considerations for Parallel Partition-Wise Joins

The optimizer weighs the advantages and disadvantages when deciding whether to use partition-wise joins.

- In range partitioning where partition sizes differ, data skew increases response time; some parallel execution servers take longer than others to finish their joins. Oracle recommends the use of hash partitioning and subpartitioning to enable partition-wise joins because hash partitioning, if the number of partitions is a power of two, limits the risk of skew. Ideally, the hash partitioning key is unique or almost unique to minimize the risk of skew.
- The number of partitions used for partition-wise joins should, if possible, be a multiple of the number of query servers. With a degree of parallelism of 16, for example, you can have 16, 32, or even 64 partitions. If there is an odd number of partitions, then some parallel execution servers are used less than others. For example, if there are 17 evenly distributed partition pairs, only one pair works on the last join, while the other pairs has to wait. This is because, in the beginning of the execution, each parallel execution server works on a different partition pair. After this first phase, only one pair is left. Thus, a single parallel execution server joins this remaining pair while all other parallel execution servers are idle.

Sometimes, parallel joins can cause remote I/Os. For example, on Oracle Real Application Clusters environments running on MPP configurations, if a pair of matching partitions is not collocated on the same node, a partition-wise join requires extra internode communication due to remote I/O. This is because Oracle must transfer at least one partition to the node where the join is performed. In this case, it is better to explicitly redistribute the data than to use a partition-wise join.

## Indexes and Partitioned Indexes

Indexes are optional structures associated with tables that allow SQL statements to execute more quickly against a table. Even though table scans are very common in many data warehouses, indexes can often speed up queries. The most commonly used indexes in a data warehouse are B-tree and bitmap indexes.

Both B-tree and bitmap indexes can be created as local indexes on a partitioned table, in which case they inherit the table's partitioning strategy. B-tree indexes can be created as global partitioned indexes on partitioned and on nonpartitioned tables.

For more information about partitioned indexes, refer to [Chapter 3, "Partitioning for Availability, Manageability, and Performance"](#).

## Local Partitioned Indexes

In a local index, all keys in a particular index partition refer only to rows stored in a single underlying table partition. A local index is equipartitioned with the underlying table. Oracle partitions the index on the same columns as the underlying table, creates the same number of partitions or subpartitions, and gives them the same partition bounds as corresponding partitions of the underlying table.

Oracle also maintains the index partitioning automatically when partitions in the underlying table are added, dropped, merged, or split, or when hash partitions or subpartitions are added or coalesced. This ensures that the index remains equipartitioned with the table.

For data warehouse applications, local nonprefixed indexes can improve performance because many index partitions can be scanned in parallel by range queries on the index key. The following example creates a local B-tree index on a partitioned `customers` table.

```
ALTER SESSION enable parallel ddl;

CREATE INDEX cust_last_name_ix
ON customers(last_name) LOCAL
PARALLEL NOLOGGING ;
```

Bitmap indexes use a very efficient storage mechanism for low cardinality columns. Bitmap indexes are commonly used in data warehouses, especially in data warehouses that implement so-called star schemas. A single star schema consists of a central large fact table and multiple smaller dimension tables that describe the data in the fact table.

For example, the `sales` table in the sample `sh` schema in the Oracle database is a fact table, that is described by dimension tables `customers`, `products`, `promotions`, `times`, and `channels`. Bitmap indexes enable the so-called star transformation, an optimization for fast query retrieval against star or star look-a-like schemas.

Fact table foreign key columns are ideal candidates for bitmap indexes, because generally there are relatively few distinct values relative to the total number of rows. Fact tables are often range or range-\* partitioned, in which case you must create local bitmap indexes. Global bitmap indexes on partitioned tables are not supported.

The following example creates a local partitioned bitmap index on the `sales` table.

```
ALTER SESSION enable parallel ddl;

CREATE BITMAP INDEX prod_id_ix
ON sales(prod_id) LOCAL
PARALLEL NOLOGGING;
```

**See Also:** *Oracle Database Data Warehousing Guide* for more information about the star transformation

## Nonpartitioned Indexes

You can create nonpartitioned indexes on nonpartitioned tables and on partitioned tables. Nonpartitioned indexes are primarily used on nonpartitioned tables in data warehouse environments. You can use a nonpartitioned global index on a partitioned table to enforce a primary or unique key. A nonpartitioned (global) index can be useful for queries that commonly retrieve very few rows based on equality predicates or in-list on a column or set of columns that is not included in the partitioning key. In those cases, it can be faster to scan a single index than to scan many index partitions to find all matching rows.



Unique indexes on columns other than the partitioning columns must be global because unique local nonprefixed indexes whose key does not contain the partitioning key are not supported. Unique keys are not always enforced in data warehouses due to the controlled data load processes and the performance cost of enforcing the unique constraint. Global indexes can grow very large on tables with billions of rows.

The following example creates a global unique index on the `sales` table. Note that very few queries benefit from this index. In systems with a very limited data load window, you should consider not to create and maintain it.

```
ALTER SESSION enable parallel ddl;

CREATE UNIQUE INDEX sales_unique_ix
ON sales(cust_id, prod_id, promo_id, channel_id, time_id)
PARALLEL NOLOGGING;
```

---



---

**Note:** Most partition maintenance operations invalidate nonpartitioned indexes, forcing an index rebuild.

---



---

### Global Partitioned Indexes

You can create global partitioned indexes on nonpartitioned tables and on partitioned tables. In a global partitioned index, the keys in a particular index partition may refer to rows stored in multiple underlying table partitions or subpartitions. A global index can be range or hash partitioned, though it can be defined on any type of partitioned table.

A global index is created by specifying the `GLOBAL` attribute. The database administrator is responsible for defining the initial partitioning of a global index at creation and for maintaining the partitioning over time. Index partitions can be merged or split as necessary.

Global indexes can be useful if there is a class of queries that uses an access path to the table to retrieve a few rows through an index, and by partitioning the index you can eliminate large portions of the index for the majority of queries that use the index. On a partitioned table you would consider a global partitioned index if the column or columns you should include to achieve partition pruning do not include the table partitioning key.

The following example creates a global hash-partitioned index on the `sales` table.

```
CREATE INDEX cust_id_prod_id_global_ix
ON sales(cust_id,prod_id)
GLOBAL PARTITION BY HASH (cust_id)
( PARTITION p1 TABLESPACE tbs1
, PARTITION p2 TABLESPACE tbs2
, PARTITION p3 TABLESPACE tbs3
, PARTITION p4 TABLESPACE tbs4
)
PARALLEL NOLOGGING;
```

---



---

**Note:** Most partition maintenance operations invalidate global partitioned indexes, forcing an index rebuild.

---



---

## Partitioning and Data Compression

Data in a partitioned table can be compressed on a partition-by-partition basis. Using compressed data is most efficient for data that does not change frequently. Although Oracle Database 11g supports compression for all DML operations, it is still more efficient to modify data in a non-compressed table.

Common data warehouse scenarios often see few data changes as data ages and other scenarios only insert data. Using the partition management features, you can compress data on a partition-by-partition basis. Note that altering a partition to enable compression only applies to future data to be inserted into the partition. To compress the existing data in the partition, you must move the partition. Enabling compression and moving a partition can be done in a single operation.

To use table compression on partitioned tables with bitmap indexes, you must do the following before you introduce the compression attribute for the first time:

1. Mark bitmap indexes unusable.
2. Set the compression attribute.
3. Rebuild the indexes.

The first time you make a compressed partition part of an existing, fully uncompressed partitioned table, you must either drop all existing bitmap indexes or mark them UNUSABLE before adding a compressed partition. This must be done regardless of whether any partition contains data. It is also independent of the operation that causes one or more compressed partitions to become part of the table. This does not apply to a partitioned table having B-tree indexes only.

The following example shows how to compress the SALES\_1995 partition in the sales table.

```
ALTER SESSION enable parallel ddl;

ALTER TABLE sales
MOVE PARTITION sales_1995
COMPRESS FOR OLTP
PARALLEL NOLOGGING;
```

If a table or a partition takes less space on disk, then the performance of large table scans in an I/O-constraint environment may improve.

## Materialized Views and Partitioning

One technique employed in data warehouses to improve performance is the creation of summaries. Summaries are special types of aggregate views that improve query execution times by precalculating expensive joins and aggregation operations before execution and storing the results in a table in the database. For example, you can create a summary table to contain the sums of sales by region and by product.

The summaries or aggregates that are referred to in this book and in literature on data warehousing are created in Oracle Database using a schema object called a materialized view. Materialized views in a data warehouse are meant to speed up query performance.

The database supports transparent rewrites against materialized views, so that you do not need to modify the original queries to take advantage of precalculated results in materialized views. Instead of executing the query, the database retrieves precalculated results from one or more materialized views, perform any necessary additional operations on the data, and return the query results. The database

guarantees correct results in line with your setting of the `QUERY_REWRITE_INTEGRITY` initialization parameter.

**See Also:** *Oracle Database Data Warehousing Guide*

**Partitioned Materialized Views** The underlying storage for a materialized view is a table structure. You can partition materialized views like you can partition tables. When the database rewrites a query to run against materialized views, the query can take advantage of the same performance features that queries running against tables directly benefit from. The rewritten query may eliminate materialized view partitions. If joins back to tables or with other materialized views are necessary to retrieve the query result, then the rewritten query can take advantage of partition-wise joins.

The following example shows how to create a compressed partitioned materialized view that aggregates sales results to country level. This materialized view benefits from queries that summarize sales numbers by country level or higher to subregion or region level.

```
ALTER SESSION ENABLE PARALLEL DDL;

CREATE MATERIALIZED VIEW country_sales
PARTITION BY HASH (country_id)
PARTITIONS 16
COMPRESS FOR OLTP
PARALLEL NOLOGGING
ENABLE QUERY REWRITE
AS SELECT co.country_id
, co.country_name
, co.country_subregion
, co.country_region
, sum(sa.quantity_sold) country_quantity_sold
, sum(sa.amount_sold) country_amount_sold
FROM sales sa
, customers cu
, countries co
WHERE sa.cust_id = cu.cust_id
AND cu.country_id = co.country_id
GROUP BY co.country_id
, co.country_name
, co.country_subregion
, co.country_region;
```

**See Also:** *Oracle Database Data Warehousing Guide*

## Manageability

Data Warehouses store historical data. An important part of a data warehouse is the data load and purge. Partitioning is powerful technology that can help data management for data warehousing.

### Partition Exchange Load

Partitions can be added using Partition Exchange Load (PEL). When you use PEL, you create a separate table that looks exactly like a single partition, including the same indexes and constraints, if any. If you use a composite partitioned table, then your separate table must use a partitioning strategy that matches the subpartitioning strategy of your composite partitioned table. You can then swap out an existing table

partition with this separate table. In a data load scenario, data can be loaded into the separate table. Build indexes and implement constraints on the separate table, without impacting the table users query. Then perform the PEL, which is a very low-impact transaction compared to the data load. Daily loads, with a range partition strategy by day, are common in data warehouse environments.

The following example shows a partition exchange load for the sales table.

```
ALTER TABLE sales ADD PARTITION p_sales_jun_2007
VALUES LESS THAN (TO_DATE('01-FEB-2007','dd-MON-yyyy'));
```

```
CREATE TABLE sales_jun_2007 COMPRESS FOR OLTP
AS SELECT * FROM sales WHERE 1=0;
```

Next, populate table sales\_jun\_2007 with sales numbers for June 2007, and create the equivalent bitmap indexes and constraints that have been implemented on the sales table.

```
CREATE BITMAP INDEX time_id_jun_2007_bix ON sales_jun_2007(time_id)
NOLOGGING;
CREATE BITMAP INDEX cust_id_jun_2007_bix ON sales_jun_2007(cust_id)
NOLOGGING;
CREATE BITMAP INDEX prod_id_jun_2007_bix ON sales_jun_2007(prod_id)
NOLOGGING;
CREATE BITMAP INDEX promo_id_jun_2007_bix ON sales_jun_2007(promo_id)
NOLOGGING;
CREATE BITMAP INDEX channel_id_jun_2007_bix ON sales_jun_2007(channel_id)
NOLOGGING;
```

```
ALTER TABLE sales_jun_2007 ADD CONSTRAINT prod_id_fk FOREIGN KEY (prod_id)
REFERENCES products(prod_id);
ALTER TABLE sales_jun_2007 ADD CONSTRAINT cust_id_fk FOREIGN KEY (cust_id)
REFERENCES customers(cust_id);
ALTER TABLE sales_jun_2007 ADD CONSTRAINT promo_id_fk FOREIGN KEY (promo_id)
REFERENCES promotions(promo_id);
ALTER TABLE sales_jun_2007 ADD CONSTRAINT time_id_fk FOREIGN KEY (time_id)
REFERENCES times(time_id);
ALTER TABLE sales_jun_2007 ADD CONSTRAINT channel_id_fk FOREIGN KEY
(channel_id) REFERENCES channels(channel_id);
```

Next, exchange the partition.

```
ALTER TABLE sales
EXCHANGE PARTITION p_sales_jun_2007
WITH TABLE sales_jun_2007
INCLUDING INDEXES;
```

For more information about partition exchange load, refer to [Chapter 4, "Partition Administration"](#).

## Partitioning and Indexes

Local indexes are easiest when performing partition maintenance operations. Local indexes do not invalidate a global index when partition management takes place. Use INCLUDING INDEXES in the PEL statement to exchange the local indexes with the equivalent indexes on the separate table so that no index partitions get invalidated. For PEL, you can update global indexes as part of the load. Use the UPDATE GLOBAL INDEXES extension to the PEL command. If an index requires updating, then the PEL takes much longer.

## Partitioning and Materialized View Refresh Strategies

There are different ways to keep materialized views updated:

- Full refresh
- Fast (incremental) refresh based on materialized view logs against the base tables
- Manually using DML, followed by `ALTER MATERIALIZED VIEW CONSIDER FRESH`

To enable query rewrites, set the `QUERY_REWRITE_INTEGRITY` initialization parameter. If you manually keep materialized views up to date, then you must set `QUERY_REWRITE_INTEGRITY` to either `TRUSTED` or `STALE_TOLERATED`.

**See Also:** *Oracle Database Data Warehousing Guide*

If your materialized views and base tables use comparable partitioning strategies, then PEL can be an extremely powerful way to keep materialized views up-to-date manually. For example, if both your base table and your materialized view use range partitioning, then you can consider PEL to keep your base table and materialized view up-to-date. The total data refresh scenario would work as follows:

- Create tables to enable PEL against the tables and materialized views
- Load data into the tables, build the indexes, and implement any constraints
- Update the base tables using PEL
- Update the materialized views using PEL
- Execute `ALTER MATERIALIZED VIEW CONSIDER FRESH` for every materialized view you updated using this strategy

Note that this strategy implies a short interval, in between PEL against the base table and PEL against the materialized view, in which the materialized view does not reflect the current data in the underlying tables. Consider the `QUERY_REWRITE_INTEGRITY` setting and the activity on your system to identify whether you can cope with this situation.

**See Also:** *Oracle Database 2 Day + Data Warehousing Guide* for an example of this refresh scenario

## Removing Data from Tables

Data warehouses commonly keep a time window of data. For example, 3 years worth of historical data is stored.

Partitioning makes it very easy to purge data from a table. You can use the `DROP PARTITION` or `TRUNCATE PARTITION` statements to purge data. Common strategies also include using a partition exchange load to unload the data from the table and replacing the partition with an empty table before dropping the partition. Archive the separate table you exchanged before emptying or dropping it.

Note that a drop or truncate operation would invalidate a global index or a global partitioned index. Local indexes remain valid. The local index partition is dropped when you drop the table partition.

The following example shows how to drop partition `sales_1995` from the `sales` table.

```
ALTER TABLE sales
DROP PARTITION sales_1995
```

```
UPDATE GLOBAL INDEXES PARALLEL;
```

## Partitioning and Data Compression

Data in a partitioned table can be compressed on a partition-by-partition basis. Using compressed data is most efficient for data that does not change frequently. Common data warehouse scenarios often see few data changes as data ages and other scenarios only insert data. Using the partition management features, you can compress data on a partition-by-partition basis.

If a table takes less space on disk, then performance of large table scans in an I/O-constraint environment may improve.

## Gathering Statistics on Large Partitioned Tables

To get good SQL execution plans, it is important to have reliable table statistics. Oracle automatically gathers statistics using the statistics job that is activated upon database installation, or you can manually gather statistics using the `DBMS_STATS` package. Managing statistics on large tables is more challenging than managing statistics on smaller tables.

If a query accesses only a single table partition, then it is best to have partition-level statistics. If queries perform some partition elimination, but not down to a single partition, then you should gather both partition-level statistics and global statistics. Oracle Database 11g can maintain global statistics for a partitioned table incrementally. Only partitions that have changed are scanned and not the entire table.

A typical scenario for statistics management on a partitioned table is the use of Partition Exchange Load (PEL). If you add data using PEL and you do not plan to update the global-level statistics as part of the data load, then you should gather statistics on the table the data was initially loaded into, before you exchange it with the partition. Your global-level statistics become stale after the partition exchange. When you re-gather the global-level statistics, or when the automatic statistics gather job regathers the global-level statistics, only the new partition, and not the entire table, is scanned.

---

---

## Using Partitioning in an Online Transaction Processing Environment

Partitioning was initially adopted to cope with the performance requirements for data warehouses. With the explosive growth of OLTP systems and their user populations, partitioning is particularly useful for OLTP systems as well.

Partitioning is often used for OLTP systems to reduce contention to support a very large user population. It also helps in addressing regulatory requirements facing OLTP systems, including storing larger amounts of data in a cost-effective manner. This chapter contains the following topics:

- [What is an OLTP System?](#)
- [Performance](#)
- [Manageability](#)

### What is an OLTP System?

An Online Transaction Processing (OLTP) system is a common data processing system in today's enterprises. Classical examples of OLTP systems are order entry, retail sales, and financial transaction systems.

OLTP systems are primarily characterized through a specific data usage that is different from data warehousing environments, yet some characteristics, such as having large volumes of data and lifecycle-related data usage and importance, are identical.

The main characteristics of an OLTP environment are:

- Short response time  
The nature of OLTP environments is predominantly any kind of interactive ad hoc usage, such as telemarketers entering telephone survey results. OLTP systems require short response times in order for users to remain productive.
- Small transactions  
OLTP systems normally read and manipulate highly selective, small amounts of data; the data processing is mostly simple and complex joins are relatively rare. There is always a mix of queries and DML workload. For example, one of many call center employees retrieves customer details for every call and enters customer complaints while reviewing past communication with the customer.
- Data maintenance operations

It is not uncommon to have reporting programs and data updating programs that must run either periodically or on an ad hoc basis. These programs, which run in the background while users continue to work on other tasks, may require a large number of data-intensive computations. For example, a University may start batch jobs assigning students to classes while students can still sign up online for classes themselves.

- Large user populations

OLTP systems can have immeasurably large user populations where many users are trying to access the same data at the same time. For example, an online auction Web site can have hundreds of thousands (if not millions) of users accessing data on its Web site at the same time.

- High concurrency

Due to the large user population, the short response times, and small transactions, the concurrency in OLTP environments is very high. A requirement for thousands of concurrent users is not uncommon.

- Large data volumes

Depending on the application type, the user population, and the data retention time, OLTP systems can become very large. For example, every customer of a bank could have access to the online banking system which shows all their transactions for the last 12 months.

- High availability

The availability requirements for OLTP systems are often extremely high. An unavailable OLTP system can impact a very large user population, and organizations can suffer major losses if OLTP systems are unavailable. For example, a stock exchange system has extremely high availability requirements during trading hours.

- Lifecycle related data usage

Similar to data warehousing environments, OLTP systems often experience different data access patterns over time. For example, at the end of the month, monthly interest is calculated for every active account.

The following are benefits of partitioning for OLTP environments:

- Support for bigger databases

Backup and recovery, as part of a high availability strategy, can be performed on a low level of granularity to cope with the size of the database. OLTP systems usually remain online during backups and users may continue to access the system while the backup is running. The backup process should not introduce major performance degradation for the online users.

Partitioning helps to reduce the space requirements for the OLTP system because part of a database object can be stored compressed while other parts can remain uncompressed. Update transactions against uncompressed rows are more efficient than updates on compressed data.

Partitioning can store data transparently on different storage tiers to lower the cost of storing vast amounts of data.

- Partition maintenance operations for data maintenance (instead of DML)

For data maintenance operations (purging being the most common operation), you can leverage partition maintenance operations with Oracle's capability of



online index maintenance. A partition management operation generates less redo than the equivalent DML operations.

- Potential higher concurrency through elimination of hot spots
  - A common scenario for OLTP environments is to have monotonically increasing index values that are used to enforce primary key constraints, thus creating areas of high concurrency and potential contention: every new insert tries to update the same set of index blocks. Partitioned indexes, in particular hash-partitioned indexes, can help alleviate this situation.

## Performance

Performance in OLTP environments heavily relies on performant index access, thus the choice of the most appropriate index strategy becomes crucial. The following section discusses best practices for deciding whether to partition indexes in an OLTP environment.

### Deciding Whether to Partition Indexes

Due to the selectivity of queries and high concurrency of OLTP applications, the choice of the right index strategy is indisputably an important decision for the use of partitioning in an OLTP environment. The following basic rules help understand the main benefits and trade-offs for the various possible index structures:

- A nonpartitioned index, while larger than individual partitioned index segments, always leads to a single index probe (or scan) if an index access path is chosen; there is only one segment for a table. The data access time and number of blocks being accessed is identical for both a partitioned and a nonpartitioned table.
  - A nonpartitioned index does not provide partition autonomy and requires an index maintenance operation for every partition maintenance operation that affects rowids (for example, drop, truncate, move, merge, coalesce, or split operations).
- With partitioned indexes, there are always multiple segments. Whenever Oracle Database cannot prune down to a single index segment, the database has to touch multiple segments. This potentially leads to higher I/O requirements ( $n$  index segment probes compared with one probe with a nonpartitioned index) and can have an impact (measurable or not) on the run-time performance. This is true for all partitioned indexes.

Partitioned indexes can either be local partitioned indexes or global partitioned indexes. Local partitioned indexes always inherit the partitioning key from the table and are fully aligned with the table partitions. Consequently, any kind of partition maintenance operation requires little to no index maintenance work. For example, dropping or truncating a partition does not incur any measurable overhead for index maintenance; the local index partitions are either dropped or truncated.

Partitioned indexes that are not aligned with the table are called global partitioned indexes. Unlike local indexes, there is no relation between a table and an index partition. Global partitioned indexes give the flexibility to choose a partitioning key that is most optimal for a performant partition index access. Partition maintenance operations normally affect more (if not all) partitions of a global partitioned index, depending on the operation and partitioning key of the index.

- Under some circumstances, having multiple segments for an index can be beneficial for performance. It is very common in OLTP environments to leverage

sequences to create artificial keys; consequently you create key values that are monotonically increasing, which results in many insert processes competing for the same index blocks. Introducing a global partitioned index (for example, using global hash partitioning on the key column) can alleviate this situation. If you have, for example, four hash partitions for such an index, then you now have four index segments you are inserting data into, reducing the concurrency on these segments by a factor of four for the insert processes.

With less contention, the application can support a larger user population. The following example shows the creation of a unique index on the `order_id` column of the `orders` table. The `order_id` in the OLTP application is filled using a sequence number. The unique index uses hash partitioning to reduce contention for the monotonically increasing `order_id` values. The unique key is then used to create the primary key constraint.

```
CREATE UNIQUE INDEX orders_pk
ON orders(order_id)
GLOBAL PARTITION BY HASH (order_id)
( PARTITION p1 TABLESPACE tbs1
, PARTITION p2 TABLESPACE tbs2
, PARTITION p3 TABLESPACE tbs3
, PARTITION p4 TABLESPACE tbs4
) NOLOGGING;

ALTER TABLE orders ADD CONSTRAINT orders_pk
PRIMARY KEY (order_id)
USING INDEX;
```

Enforcing uniqueness is important database functionality for OLTP environments. Uniqueness can be enforced with nonpartitioned and with partitioned indexes. However, because partitioned indexes provide partition autonomy, the following requirements must be met to implement unique indexes:

- A nonpartitioned index can enforce uniqueness for any given column or combination of columns. The behavior of a nonpartitioned index is no different for a partitioned table compared to a nonpartitioned table.
- Each partition of a partitioned index is considered an autonomous segment. To enforce the autonomy of these segments, you always have to include the partitioning key columns as a subset of the unique key definition.
  - Unique global partitioned indexes must always be prefixed with the partitioning columns.
  - Unique local indexes must have the partitioning key of the table as a subset of the unique key definition.

### Using Index-Organized Tables

When your workload fits the use of index-organized tables, then you must consider how to use partitioning on your index-organized table and on any secondary indexes. For more information about how to create partitioned index-organized tables, refer to [Chapter 4, "Partition Administration"](#).

**See Also:** *Oracle Database Administrator's Guide* for more information about index-organized tables

Whether to partition secondary indexes on index-organized tables follows the same considerations as indexes on regular heap tables. You can partition an index-organized table, but the partitioning key must be a subset of the primary key. A common reason

to partition an index-organized table is to reduce contention; this is typically achieved using hash partitioning.

Another reason to partition an index-organized table is to be able to physically separate data sets based on a primary key column. For example, an application hosting company can physically separate application instances for different customers by list partitioning on the company identifier. Queries in such a scenario can often take advantage of index partition pruning, shortening the time for the index scan. ILM scenarios with index-organized tables and partitioning are less common because they require a date column to be part of the primary key.

## Manageability

In addition to the performance benefits, Partitioning also enables the optimal data management for large objects in an OLTP environment. Every partition maintenance operation in the Oracle database can be extended to atomically include global and local index maintenance, enabling the execution of any partition maintenance operation without affecting the 24x7 availability of an OLTP environment.

Partition maintenance operations in OLTP systems occur often because of ILM scenarios. In these scenarios, [range | interval] partitioned tables, or [range | interval]-\* composite partitioned tables, are common.

Other business cases for partition maintenance operations include scenarios surrounding the separation of application data. For example, a retail company runs the same application for multiple branches in a single schema. Depending on the branch revenues, the application (as separate partitions) is stored on more performant storage. List partitioning, or list-\* composite partitioning, is a common partitioning strategy for this type of business case.

Hash partitioning, or hash subpartitioning for tables, can be used in OLTP systems to obtain similar performance benefits to the performance benefits achieved in data warehouse environments. The majority of the daily OLTP workload consists of relatively small operations, executed in serial. Periodic batch operations, however, may execute in parallel and benefit from the distribution benefits hash partitioning and subpartitioning can provide for partition-wise joins. For example, end-of-the-month interest calculation may be executed in parallel to complete within a nightly batch window.

For more information about the performance benefits of partitioning, refer to [Chapter 3, "Partitioning for Availability, Manageability, and Performance"](#).

## Impact of a Partition Maintenance Operation on a Partitioned Table with Local Indexes

Whenever a partition maintenance operation takes place, Oracle locks the affected table partitions for any DML operation. Data in the affected partitions, except a `DROP` or `TRUNCATE` operation, is still fully accessible for any `SELECT` operation. Because local indexes are logically coupled with the table (data) partitions, only the local index partitions of the affected table partitions have to be maintained as part of a partition maintenance operation, enabling the most optimal processing for the index maintenance.

For example, when you move an older partition from a high end storage tier to a low cost storage tier, the data and the index are always available for `SELECT` operations; the necessary index maintenance is either to update the existing index partition to reflect the new physical location of the data or, more commonly, a move and rebuild of the index partition to a low cost storage tier as well. If you drop an older partition after

you have archived it, then its local index partitions get dropped as well, enabling a split-second partition maintenance operation that only affects the data dictionary.

## Impact of a Partition Maintenance Operation on Global Indexes

Whenever a global index is defined on a partitioned or nonpartitioned table, there is no correlation between a distinct table partition and the index. Consequently, any partition maintenance operation affects all global indexes or index partitions. As with tables containing local indexes, the affected partitions are locked to prevent DML operations against the affected table partitions. However, unlike the index maintenance for local indexes, any global index is still fully available for DML operations and does not affect the online availability of the OLTP system. Conceptually and technically, the index maintenance for global indexes for a partition maintenance operation is comparable to the index maintenance that would become necessary for a semantically identical DML operation.

For example, dropping an old partition is semantically equivalent to deleting all the records of the old partition using the SQL `DELETE` statement. In both cases, all index entries of the deleted data set have to be removed from any global index as a normal index maintenance operation which does not affect the availability of an index for `SELECT` and DML operations. In this scenario, a drop operation represents the most optimal approach: data is removed without the overhead of a conventional `DELETE` operation and the global indexes are maintained in a nonintrusive manner.

## Common Partition Maintenance Operations in OLTP Environments

The two most common partition maintenance operations are the removal of data and the relocation of data onto lower cost storage tier devices.

### Removing (Purging) Old Data

Using either a `DROP` or `TRUNCATE` operation removes older data based on the partitioning key criteria. The drop operation removes the data and the partition metadata, while a truncate operation only removes the data but preserve the metadata. All local index partitions are dropped respectively, and truncated. Normal index maintenance is done for partitioned or nonpartitioned global indexes and is fully available for select and DML operations.

The following example drops all data older than January 2006 from the `orders` table. Note that as part of the drop statement, an `UPDATE GLOBAL INDEXES` statement is executed, so that the global index remains usable throughout the maintenance operation. Any local index partitions are dropped as part of this operation.

```
ALTER TABLE orders DROP PARTITION p_before_jan_2006
UPDATE GLOBAL INDEXES;
```

### Moving and/or Merging Older Partitions to a Low Cost Storage Tier Device

Using a `MOVE` or `MERGE` operation as part of an Information lifecycle Management strategy, you can relocate older partitions to the most cost-effective storage tier. The data is available for `SELECT` but not for DML operations during the operation. Local indexes are maintained and you most likely relocate those as part of the merge or move operation as well. Normal index maintenance is done for partitioned or nonpartitioned global indexes and is fully available for select and DML operations.

The following example shows how to merge the January 2006 and February 2006 partitions in the `orders` table, and store them in a different tablespace. Any local index partitions are also moved to the `ts_low_cost` tablespace as part of this

---

operation. The `UPDATE INDEXES` clause ensures that all indexes remain usable throughout and after the operation without additional rebuilds.

```
ALTER TABLE orders
MERGE PARTITIONS p_2006_jan,p_2006_feb
INTO PARTITION p_before_mar_2006 COMPRESS
TABLESPACE ts_low_cost
UPDATE INDEXES;
```

For more information about the benefits of partition maintenance operations for Information Lifecycle Management, see [Chapter 5, "Using Partitioning for Information Lifecycle Management"](#).



---

---

# Using Parallel Execution

This chapter covers tuning in a parallel execution environment and discusses the following topics:

- [Introduction to Parallel Execution](#)
- [How Parallel Execution Works](#)
- [Types of Parallelism](#)
- [Initializing and Tuning Parameters for Parallel Execution](#)
- [Tuning General Parameters for Parallel Execution](#)
- [Monitoring Parallel Execution Performance](#)
- [Miscellaneous Parallel Execution Tuning Tips](#)

**See Also:**

[http://www.oracle.com/technology/products/bi/db/11g/dbbi\\_tech\\_info\\_sca.html](http://www.oracle.com/technology/products/bi/db/11g/dbbi_tech_info_sca.html) for information about the parallel execution with Oracle Database

## Introduction to Parallel Execution

Parallel execution is the ability to apply multiple CPU and I/O resources to the execution of a single database operation. It dramatically reduces response time for data-intensive operations on large databases typically associated with decision support systems (DSS) and data warehouses. You can also implement parallel execution on OLTP system for batch processing or schema maintenance operations such as index creation. Parallel execution is sometimes called parallelism. Parallelism is the idea of breaking down a task so that, instead of one process doing all of the work in a query, many processes do part of the work at the same time. An example of this is when four processes combine to calculate the total sales for a year, each process handle one quarter of the year instead of a single processing handling all four quarters by itself. The improvement in performance can be quite significant. Parallel execution improves processing for:

- Queries requiring large table scans, joins, or partitioned index scans
- Creation of large indexes
- Creation of large tables (including materialized views)
- Bulk inserts, updates, merges, and deletes

You can also use parallel execution to access object types within an Oracle database. For example, you can use parallel execution to access large objects (LOBs).

This section contains the following topics:

- [When to Implement Parallel Execution](#)
- [When Not to Implement Parallel Execution](#)
- [Fundamental Hardware Requirements](#)
- [Operations That Can Be Parallelized](#)

## When to Implement Parallel Execution

Parallel execution benefits systems with all of the following characteristics:

- Symmetric multiprocessors (SMPs), clusters, or massively parallel systems
- Sufficient I/O bandwidth
- Underutilized or intermittently used CPUs (for example, systems where CPU usage is typically less than 30%)
- Sufficient memory to support additional memory-intensive processes, such as sorts, hashing, and I/O buffers

If your system lacks any of these characteristics, parallel execution might not significantly improve performance. In fact, parallel execution may reduce system performance on overutilized systems or systems with small I/O bandwidth.

The benefits of parallel execution can be seen in DSS and data warehousing environments. OLTP systems can also benefit from parallel execution during batch processing and during schema maintenance operations such as creation of indexes. The average simple DML or `SELECT` statements that characterize OLTP applications would not see any benefit from being executed in parallel.

## When Not to Implement Parallel Execution

Parallel execution is not normally useful for:

- Environments in which the typical query or transaction is very short (a few seconds or less). This includes most online transaction systems. Parallel execution is not useful in these environments because there is a cost associated with coordinating the parallel execution servers; for short transactions, the cost of this coordination may outweigh the benefits of parallelism.
- Environments in which the CPU, memory, or I/O resources are heavily utilized. Parallel execution is designed to exploit additional available hardware resources; if no such resources are available, then parallel execution does not yield any benefits and indeed may be detrimental to performance.

## Fundamental Hardware Requirements

Parallel execution is designed to effectively use multiple CPUs and disks to answer queries quickly. It is very I/O intensive by nature. To achieve optimal performance, each component in the hardware configuration must be sized to sustain the same level of throughput: from the CPUs and the Host Bus Adapters (HBAs) in the compute nodes, to the switches, and on into the I/O subsystem, including the storage controllers and the physical disks. If the system is an Oracle Real Application Cluster (Oracle RAC) then the interconnect also has to be size appropriately. The weakest link is going to limit the performance and scalability of operations in a configuration.

It is recommended to measure the maximum I/O performance a hardware configuration can achieve without the Oracle database. This measurement can be used



as a baseline for the future system performance evaluations. Remember, it is not possible for parallel execution to achieve better I/O throughput than the underlying hardware can sustain. Oracle Database provides a free calibration tool called Orion, which is designed to measure the I/O performance of a system by simulating Oracle I/O workloads. A parallel execution typically performs large random I/Os.

## Operations That Can Be Parallelized

You can use parallel execution for any of the following:

- Access methods

Some examples are table scans, index fast full scans, and partitioned index range scans.

- Join methods

Some examples are nested loop, sort merge, hash, and star transformation.

- DDL statements

Some examples are `CREATE TABLE AS SELECT`, `CREATE INDEX`, `REBUILD INDEX`, `REBUILD INDEX PARTITION`, and `MOVE/SPLIT/COALESCE PARTITION`.

You can normally use parallel DDL where you use regular DDL. There are, however, some additional details to consider when designing your database. One important restriction is that parallel DDL cannot be used on tables with object or LOB columns.

All of these DDL operations can be performed in `NOLOGGING` mode for either parallel or serial execution.

The `CREATE TABLE` statement for an index-organized table can be parallelized either with or without an `AS SELECT` clause.

Different parallelism is used for different operations. Parallel `CREATE (partitioned) TABLE AS SELECT` and parallel `CREATE (partitioned) INDEX` statements run with a degree of parallelism (DOP) equal to the number of partitions.

- DML statements

Some examples are `INSERT AS SELECT`, updates, deletes, and `MERGE` operations.

Parallel DML (parallel insert, update, merge, and delete) uses parallel execution mechanisms to speed up or scale up large DML operations against large database tables and indexes. You can also use `INSERT ... SELECT` statements to insert rows into multiple tables as part of a single DML statement. You can normally use parallel DML where you use regular DML.

Although data manipulation language normally includes queries, the term parallel DML refers only to inserts, updates, merges, and deletes done in parallel.

- Parallel query

You can parallelize queries and subqueries in `SELECT` statements, plus the query portions of DDL statements and DML statements (`INSERT`, `UPDATE`, `DELETE`, and `MERGE`).

- Miscellaneous SQL operations

Some examples are `GROUP BY`, `NOT IN`, `SELECT DISTINCT`, `UNION`, `UNION ALL`, `CUBE`, and `ROLLUP`, plus aggregate and table functions.

- SQL\*Loader

You can parallelize the use of SQL\*Loader, where large amounts of data are routinely encountered. To speed up your loads, you can use a parallel direct-path load as in the following example:

```
sqlldr CONTROL=LOAD1.CTL DIRECT=TRUE PARALLEL=TRUE
sqlldr CONTROL=LOAD2.CTL DIRECT=TRUE PARALLEL=TRUE
sqlldr CONTROL=LOAD3.CTL DIRECT=TRUE PARALLEL=TRUE
```

Where you provide your userid and password on the command line. You can also use a parameter file to achieve the same result.

An important point to remember is that indexes are not maintained during a parallel load.

## How Parallel Execution Works

This section discusses the parallel execution process for SQL statements.

This section contains the following topics:

- [Parallelizing SQL Statements](#)
- [How Parallel Execution Servers Communicate](#)
- [Degree of Parallelism](#)
- [Parallel Statement Queuing](#)
- [The Parallel Execution Server Pool](#)
- [Granules of Parallelism](#)
- [Balancing the Workload](#)
- [Parallel Execution Using Oracle RAC](#)

## Parallelizing SQL Statements

Each SQL statement undergoes an optimization and parallelization process when it is parsed. If parallel execution is chosen, then the following steps occur:

1. The user session or shadow process takes on the role of a coordinator, often called the query coordinator.
2. The query coordinator obtains the necessary number of parallel servers.
3. The SQL statement is executed as a sequence of operations (a full table scan to perform a join on a non-indexed column, an ORDER BY, and so on). The parallel execution servers performs each operation in parallel if possible.
4. When the parallel servers are finished executing, the query coordinator performs any portion of the work that cannot be executed in parallel. For example, a parallel query with a SUM() operation requires adding the individual sub-totals calculated by each parallel server.
5. Finally, the query coordinator returns any results to the user.

After the optimizer determines the execution plan of a statement, the parallel execution coordinator determines the parallelization method for each operation in the plan. For example, the parallelization method might be to parallelize a full table scan by block range or parallelize an index range scan by partition. The coordinator must decide whether an operation can be performed in parallel and, if so, how many parallel execution servers to enlist. The number of parallel execution servers in one set is the degree of parallelism (DOP).

## Dividing Work Among Parallel Execution Servers

When the parallel execution coordinator examines each operation in a SQL statement's execution plan it determines the way in which the rows operated on by the operation must be divided or redistributed among the parallel execution servers. As an example of parallel query with intra- and inter-operation parallelism, consider the following query:

```
explain plan for
SELECT /*+ PARALLEL(4) */ customers.cust_first_name, customers.cust_last_name,
      MAX(QUANTITY_SOLD), AVG(QUANTITY_SOLD)
FROM sales, customers
WHERE sales.cust_id=customers.cust_id
GROUP BY customers.cust_first_name, customers.cust_last_name;
```

Explained.

Note that a hint has been used in the query to specify the DOP of the tables customers and sales.

Figure 8-1 illustrates the data flow graph or query plan for this query.

PLAN\_TABLE\_OUTPUT

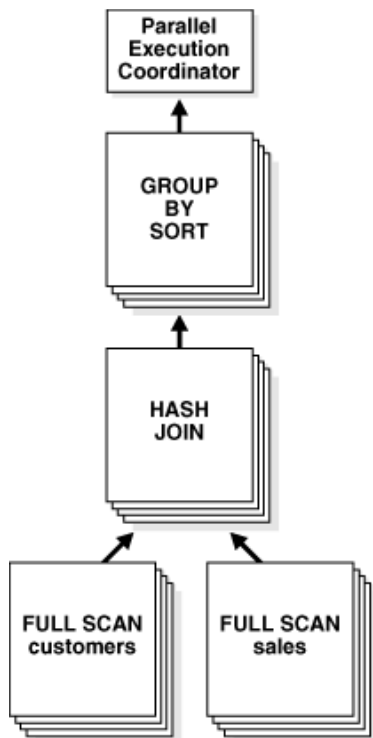
-----  
Plan hash value: 4060011603  
-----

| Id  | Operation           | Name      | Rows | Bytes | TQ    | IN-OUT | PQ Distrib |
|-----|---------------------|-----------|------|-------|-------|--------|------------|
| 0   | SELECT STATEMENT    |           | 925  | 25900 |       |        |            |
| 1   | PX COORDINATOR      |           |      |       |       |        |            |
| 2   | PX SEND QC (RANDOM) | :TQ10003  | 925  | 25900 | Q1,03 | P->S   | QC (RAND)  |
| 3   | HASH GROUP BY       |           | 925  | 25900 | Q1,03 | PCWP   |            |
| 4   | PX RECEIVE          |           | 925  | 25900 | Q1,03 | PCWP   |            |
| 5   | PX SEND HASH        | :TQ10002  | 925  | 25900 | Q1,02 | P->P   | HASH       |
| * 6 | HASH JOIN BUFFERED  |           | 925  | 25900 | Q1,02 | PCWP   |            |
| 7   | PX RECEIVE          |           | 630  | 12600 | Q1,02 | PCWP   |            |
| 8   | PX SEND HASH        | :TQ10000  | 630  | 12600 | Q1,00 | P->P   | HASH       |
| 9   | PX BLOCK ITERATOR   |           | 630  | 12600 | Q1,00 | PCWC   |            |
| 10  | TABLE ACCESS FULL   | CUSTOMERS | 630  | 12600 | Q1,00 | PCWP   |            |
| 11  | PX RECEIVE          |           | 960  | 7680  | Q1,02 | PCWP   |            |
| 12  | PX SEND HASH        | :TQ10001  | 960  | 7680  | Q1,01 | P->P   | HASH       |
| 13  | PX BLOCK ITERATOR   |           | 960  | 7680  | Q1,01 | PCWC   |            |
| 14  | TABLE ACCESS FULL   | SALES     | 960  | 7680  | Q1,01 | PCWP   |            |

-----  
Predicate Information (identified by operation id):  
-----

6 - access("SALES"."CUST\_ID"="CUSTOMERS"."CUST\_ID")

26 rows selected.

**Figure 8–1 Data Flow Diagram for Joining Tables**

### Parallelism Between Operations

Given two sets of parallel execution servers SS1 and SS2 for the query plan illustrated in [Figure 8–1](#), the execution proceeds as follows: each server set (SS1 and SS2) has four execution processes because of the `PARALLEL` hint in the query that specifies the DOP.

Slave set SS1 first scans the table `customers` and sends rows to SS2, which builds a hash table on the rows. In other words, the consumers in SS2 and the producers in SS1 work concurrently: one in scanning `customers` in parallel, the other is consuming rows and building the hash table to enable the hash join in parallel. This is an example of inter-operation parallelism.

After SS1 has finished scanning the entire `customers` table, it scans the `sales` table in parallel. It sends its rows to servers in SS2, which then perform the probes to finish the hash-join in parallel. After SS1 is done scanning the `sales` table in parallel and sending the rows to SS2, it switches to performing the `GROUP BY` in parallel. This is how two server sets run concurrently to achieve inter-operation parallelism across various operators in the query tree.

Another important aspect of parallel execution is the redistribution of rows when they are sent from servers in one server set to another. For the query plan in [Figure 8–1](#), after a server process in SS1 scans a row from the `customers` table, which server process in SS2 should it send it to? The operator into which the rows are flowing decides the redistribution. In this case, the redistribution of rows flowing up from SS1 performing the parallel scan of `customers` into SS2 performing the parallel hash-join is done by hash partitioning on the join column. That is, a server process scanning `customers` computes a hash function of the value of the column `customers.cust_id` to decide the number of the server process in SS2 to send it to. The redistribution method used in parallel queries is explicitly shows in the `Distrib` column in the `EXPLAIN PLAN` of the query. In [Figure 8–1](#), "Data Flow Diagram for Joining Tables", this can be seen on line 5, 8, and 12 of the `EXPLAIN PLAN`.

## Producer/Consumer Operations

Operations that require the output of other operations are known as consumer operations. In [Figure 8-1](#), the GROUP BY SORT operation is the consumer of the HASH JOIN operation because GROUP BY SORT requires the HASH JOIN output.

Consumer operations can begin consuming rows as soon as the producer operations have produced rows. In the previous example, while the parallel execution servers are producing rows in the FULL SCAN of the sales table, another set of parallel execution servers can begin to perform the HASH JOIN operation to consume the rows.

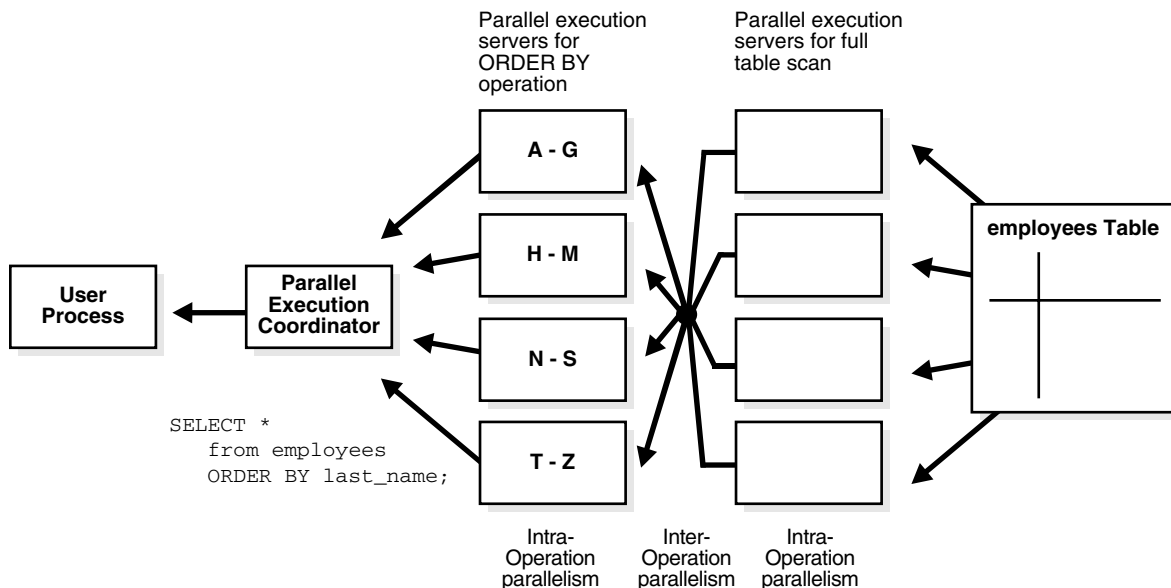
Each of the two operations performed concurrently is given its own set of parallel execution servers. Therefore, both query operations and the data flow tree itself have parallelism. The parallelism of an individual operation is called intra-operation parallelism and the parallelism between operations in a data flow tree is called inter-operation parallelism. Due to the producer-consumer nature of the Oracle database's operations, only two operations in a given tree must be performed simultaneously to minimize execution time. To illustrate intra- and inter-operation parallelism, consider the following statement:

```
SELECT * FROM employees ORDER BY last_name;
```

The execution plan implements a full scan of the employees table. This operation is followed by a sorting of the retrieved rows, based on the value of the last\_name column. For the sake of this example, assume the last\_name column is not indexed. Also assume that the DOP for the query is set to 4, which means that four parallel execution servers can be active for any given operation.

[Figure 8-2](#) illustrates the parallel execution of the example query.

**Figure 8-2 Interoperation Parallelism and Dynamic Partitioning**



As you can see from [Figure 8-2](#), there are actually eight parallel execution servers involved in the query even though the DOP is 4. This is because a producer and consumer operator can be performed at the same time (interoperation parallelism).

Also note that all of the parallel execution servers involved in the scan operation send rows to the appropriate parallel execution server performing the SORT operation. If a row scanned by a parallel execution server contains a value for the last\_name

column between A and G, that row gets sent to the first ORDER BY parallel execution server. When the scan operation is complete, the sorting processes can return the sorted results to the query coordinator, which, in turn, returns the complete query results to the user.

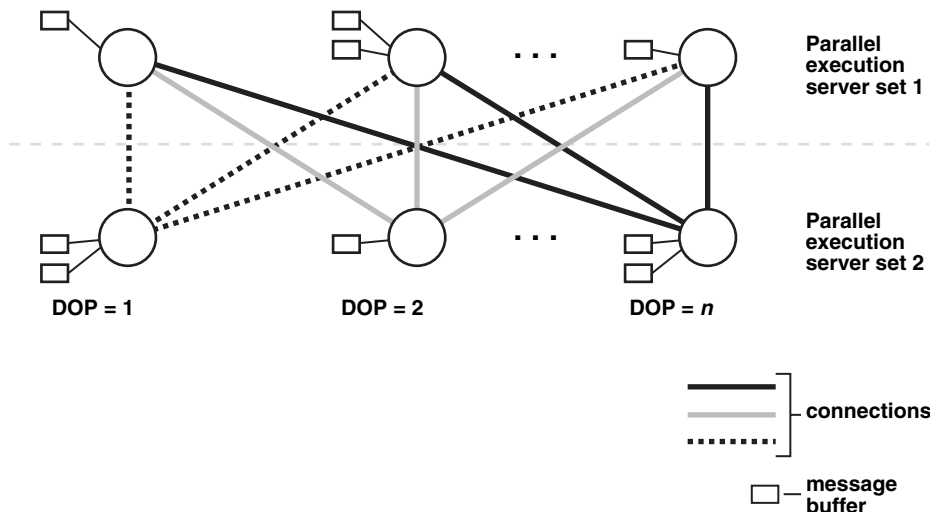
### How Parallel Execution Servers Communicate

To execute a query in parallel, Oracle Database generally creates a set of producer parallel execution servers and a set of consumer parallel execution servers. The producer server retrieves rows from tables and the consumer server performs operations such as join, sort, DML, and DDL on these rows. Each server in the producer set has a connection to each server in the consumer set. The number of virtual connections between parallel execution servers increases as the square of the degree of parallelism.

Each communication channel has at least one, and sometimes up to four memory buffers, which are allocated from the SHARED\_POOL. Multiple memory buffers facilitate asynchronous communication among the parallel execution servers.

A single-instance environment uses at most three buffers for each communication channel. An Oracle Real Application Clusters environment uses at most four buffers for each channel. Figure 8-3 illustrates message buffers and how producer parallel execution servers connect to consumer parallel execution servers.

**Figure 8-3 Parallel Execution Server Connections and Buffers**



When a connection is between two processes on the same instance, the servers communicate by passing the buffers back and forth in memory (in the SHARED\_POOL). When the connection is between processes in different instances, the messages are sent using external high-speed network protocols over the interconnect. In Figure 8-3, the DOP equals the number of parallel execution servers, which in this case is n. Figure 8-3 does not show the parallel execution coordinator. Each parallel execution server actually has an additional connection to the parallel execution coordinator. It is important to size the SHARED\_POOL adequately when using parallel execution. If there is not enough free space in the SHARED\_POOL to allocate the necessary memory buffers for a parallel server, it fails to start.

## Degree of Parallelism

The number of parallel execution servers associated with a single operation is known as the **degree of parallelism** (DOP). Parallel execution is designed to effectively use multiple CPUs. Oracle Database's parallel execution framework enables you to either explicitly choose a specific degree of parallelism or to rely on Oracle to automatically control it.

This section contains the following topics:

- [Manually Specifying the Degree of Parallelism](#)
- [Automatic Parallel Degree Policy](#)
- [Controlling Automatic Degree of Parallelism](#)
- [In-Memory Parallel Execution](#)
- [Adaptive Parallelism](#)
- [Controlling Automatic DOP, Parallel Statement Queuing, and In-Memory Parallel Execution](#)

### Manually Specifying the Degree of Parallelism

A specific DOP can be requested from the Oracle database. For example, you can set a fixed DOP at a table or index level:

```
ALTER TABLE sales PARALLEL 8;
ALTER TABLE customers PARALLEL 4;
```

In this case, queries accessing just the `sales` table use a requested DOP of 8 and queries accessing the `customers` table request a DOP of 4. A query accessing both the `sales` and the `customers` table is processed with a DOP of 8 and potentially allocate 16 parallel servers (producer/consumer); whenever different DOPs are specified, Oracle Database uses the higher DOP.

**Default Parallelism** If the `PARALLEL` clause is specified but no degree is listed, the object gets the default DOP. Default parallelism uses a formula to determine the DOP based on the system configuration, as in the following:

- For a single instance,  $DOP = PARALLEL\_THREADS\_PER\_CPU \times CPU\_COUNT$
- For an Oracle RAC configuration,  $DOP = PARALLEL\_THREADS\_PER\_CPU \times CPU\_COUNT \times INSTANCE\_COUNT$

By default, `INSTANCE_COUNT` is all of the nodes in the cluster. However, if you have used Oracle RAC services to limit the number of nodes a parallel operation can execute across, then the number of participating nodes is the number of nodes belonging to that service. For example, on a four node Oracle RAC cluster, with each node having 8 CPU cores and no Oracle RAC services, the default DOP would be  $2 \times 8 \times 4 = 64$ .

The default DOP algorithm is designed to use maximum resources and assumes that the operation finishes faster if it can use more resources. Default parallelism targets the single-user workload. In a multiuser environment, default parallelism is not recommended.

The DOP for a SQL statement can also be set or limited by the Resource Manager. See *Oracle Database Administrator's Guide* for more information.

### Automatic Parallel Degree Policy

When the parameter `PARALLEL_DEGREE_POLICY` is set to `AUTO`, Oracle Database automatically decides if a statement should execute in parallel or not and what DOP it should use. Oracle Database also determines if the statement can be executed immediately or if it is queued until more system resources are available. Finally, Oracle Database decides if the statement can take advantage of the aggregated cluster memory or not.

The following is a summary of parallel statement processing when parallel degree policy is set to automatic.

1. A SQL statement is issued.
2. The statement is parsed and the optimizer determines the execution plan.
3. The threshold limit specified by the `PARALLEL_MIN_TIME_THRESHOLD` initialization parameter is checked.
  - a. If the execution time is less than the threshold limit, the SQL statement is run serially.
  - b. If the execution time is greater than the threshold limit, the statement is run in parallel based on the DOP that the optimizer calculates.

For more information, see ["Determining Degree of Parallelism"](#) on page 8-10 and ["Controlling Automatic Degree of Parallelism"](#) on page 8-11.

**Determining Degree of Parallelism** The optimizer automatically determines the DOP for a statement based on the resource requirements of the statement. The optimizer uses the cost of all scan operations (full table scan, index fast full scan, and so on) in the execution plan to determine the necessary DOP for the statement.

However, the optimizer caps the actual DOP to ensure parallel server processes do not flood the system. This cap is set by the parameter `PARALLEL_DEGREE_LIMIT`. The default for value for this parameter is `CPU`, which means the number of processes is limited by the number of CPUs on the system (`PARALLEL_THREADS_PER_CPU * CPU_COUNT * INSTANCE_COUNT`) also known as the default DOP. By adjusting this parameter setting, you can control the maximum DOP the optimizer can choose for a SQL statement.

The DOP determined by the optimizer is shown in the notes section of an execution plan, visible either using the explain plan command or `V$SQL_PLAN`.

```
EXPLAIN PLAN FOR
SELECT SUM(AMOUNT_SOLD) FROM SH.SALES;
```

PLAN TABLE OUTPUT

Plan hash value: 672559287

| Id | Operation           | Name     | Rows | Bytes | Cost(%CPU) | Time     | Pstart | Pstop |
|----|---------------------|----------|------|-------|------------|----------|--------|-------|
| 0  | SELECT STATEMENT    |          | 1    | 4     | 5 (0)      | 00:00:01 |        |       |
| 1  | SORT AGGREGATE      |          | 1    | 4     |            |          |        |       |
| 2  | PX COORDINATOR      |          | 1    | 4     |            |          |        |       |
| 3  | PX SEND QC (RANDOM) | :TQ10000 | 1    | 4     | 5 (0)      |          |        |       |
| 4  | SORT AGGREGATE      |          | 1    | 4     |            |          |        |       |
| 5  | PX BLOCK ITERATOR   |          | 960  | 3840  | 5 (0)      | 00:00:01 | 1      | 16    |
| 6  | TABLE ACCESS FULL   | SALES    | 960  | 3840  | 5 (0)      | 00:00:01 | 1      | 16    |



## Note

-----

- Computed Degree of Parallelism is 2
- Degree of Parallelism of 2 is derived from scan of object SH.SALES

`PARALLEL_MIN_TIME_THRESHOLD` is the second initialization parameter that controls automatic DOP. It specifies the minimum execution time a statement should have before the statement is considered for automatic DOP. By default, this is 10 seconds. The optimizer first calculates a serial execution plan for the SQL statement; if the estimated execution elapse time is greater than `PARALLEL_MIN_TIME_THRESHOLD` (10 seconds), the statement becomes a candidate for automatic DOP.

### Controlling Automatic Degree of Parallelism

There are two initialization parameters that control automatic DOP, `PARALLEL_DEGREE_POLICY` and `PARALLEL_MIN_TIME_THRESHOLD`. They are described in this section, and "[Automatic Parallel Degree Policy](#)" on page 8-10 and "[Controlling Automatic DOP, Parallel Statement Queuing, and In-Memory Parallel Execution](#)" on page 8-12.

**Setting Automatic Degree of Parallelism Using ALTER SESSION Statements** You can set the DOP using an `ALTER SESSION` statement, as in the following:

```
ALTER SESSION SET parallel_degree_policy = limited;
ALTER TABLE emp parallel (degree default);
```

**Setting Automatic Degree of Parallelism Using Hints** You can use the `PARALLEL` hint to force parallelism. It takes an optional parameter, the DOP at which the statement should run. In addition, the `NO_PARALLEL` hint overrides a `PARALLEL` parameter in the DDL that created or altered the table.

The following example illustrates forcing the statement to be executed in parallel:

```
SELECT /*+parallel */ ename, dname FROM emp e, dept d WHERE e.deptno=d.deptno;
```

The following example illustrates forcing the statement to be executed in parallel with a degree of 10:

```
SELECT /*+ parallel(10) */ ename, dname FROM emp e, dept d
WHERE e.deptno=d.deptno;
```

The following example illustrates forcing the statement to be executed in serial:

```
SELECT /*+ no_parallel */ ename, dname FROM emp e, dept d
WHERE e.deptno=d.deptno;
```

The following example illustrates computing the DOP the statement should use:

```
SELECT /*+ parallel(auto) */ ename, dname FROM emp e, dept d
WHERE e.deptno=d.deptno;
```

The following example forces the statement to use Oracle Database 11g, Release 1 (11.1) behavior:

```
SELECT /*+ parallel(manual) */ ename, dname FROM emp e, dept d
WHERE e.deptno=d.deptno;
```

### In-Memory Parallel Execution

When the parameter `PARALLEL_DEGREE_POLICY` is set to `AUTO`, Oracle Database decides if an object that is accessed using parallel execution would benefit from being

cached in the SGA (buffer cache). The decision to cache an object is based on a well-defined set of heuristics including the size of the object and frequency on which it is accessed. In an Oracle RAC environment, Oracle Database affinitizes or maps pieces of the object into each of the buffer caches on the active instances. By creating this mapping, Oracle Database automatically knows which buffer cache to access to find different parts or pieces of the object. Using this information, Oracle Database prevents multiple instances from reading the same information from disk over and over again, thus maximizing the amount of memory that can cache objects. If the size of the object is larger than the size of the buffer cache (single instance) or the size of the buffer cache multiplied by the number of active instances in an Oracle RAC cluster, then it is read using direct path reads.

### **Adaptive Parallelism**

The adaptive multiuser algorithm, which is enabled by default, reduces the degree of parallelism as the load on the system increases. When using Oracle's adaptive parallelism capabilities, the database uses an algorithm at SQL execution time to determine whether a parallel operation should receive the requested DOP or have its DOP lower to ensure the system is not overloaded.

In a system that makes aggressive use of parallel execution by using a high DOP, the adaptive algorithm adjusts the DOP down with only few operations running in parallel. While the algorithm still ensures optimal resource utilization, users may experience inconsistent response times. Using solely the adaptive parallelism capabilities in an environment that requires deterministic response times is not advised. Adaptive parallelism is controlled through the database initialization parameter `PARALLEL_ADAPTIVE_MULTI_USER`.

### **Controlling Automatic DOP, Parallel Statement Queuing, and In-Memory Parallel Execution**

The initialization parameter `PARALLEL_DEGREE_POLICY` controls whether automatic degree of parallelism (Auto DOP), parallel statement queuing, and in-memory parallel execution is enabled. This parameter has three possible values:

- `MANUAL` - Disables Auto DOP, statement queuing and in-memory parallel execution. It reverts the behavior of parallel execution to what it was previous to Oracle Database 11g, Release 2 (11.2), which is the default.
- `LIMITED` - Enables Auto DOP for some statements but parallel statement queuing and in-memory parallel execution are disabled. Auto DOP is only applied to statements that access tables or indexes decorated explicitly with the `PARALLEL` clause. Tables and indexes that have a specific DOP specified uses that specified DOP.
- `AUTO` - Enables Auto DOP, parallel statement queuing, and in-memory parallel execution.

By default, the system only uses parallel execution when a parallel degree has been explicitly set on an object or if a parallel hint is specified in the SQL statement. The degree of parallelism used is exactly what was specified. No parallel statement queue occurs and parallel execution does not use the buffer cache. For information about the parallel statement queue, refer to "[Parallel Statement Queuing](#)" on page 8-13.

If you want Oracle Database to only automatically decide the degree of parallelism for a subset of SQL statements that touch a specific subset of objects, then set `PARALLEL_DEGREE_POLICY` to `LIMITED` and set the parallel clause on that subset of objects. If you want Oracle Database to automatically decide the degree of parallelism, then set `PARALLEL_DEGREE_POLICY` to `AUTO`.

When `PARALLEL_DEGREE_POLICY` is set to `AUTO`, Oracle Database determines whether the statement should run in parallel based on the cost of the operations in the execution plan and the hardware characteristics. The hardware characteristics include I/O calibration statistics so these statistics must be gathered otherwise Oracle Database does not use the automatic degree policy feature.

If I/O calibration is not run to gather the required statistics, the explain plan includes the following text in its notes:

```
automatic DOP: skipped because of IO calibrate statistics are missing
```

I/O calibration statistics can be gathered with the PL/SQL `DBMS_RESOURCE_MANAGER.CALIBRATE_IO` procedure. I/O calibration is a one-time action if the physical hardware does not change.

**See Also:**

- *Oracle Database Performance Tuning Guide* for information about I/O calibration
- *Oracle Database PL/SQL Packages and Types Reference* for information about the `DBMS_RESOURCE_MANAGER` package

## Parallel Statement Queuing

When the parameter `PARALLEL_DEGREE_POLICY` is set to `AUTO`, Oracle queues SQL statements that require parallel execution if the necessary parallel server processes are not available. After the necessary resources become available, the SQL statement is dequeued and allowed to execute. The default dequeue order is a simple first in, first out queue based on the time a statement was issued.

The following is a summary of parallel statement processing.

1. A SQL statements is issued.
2. The statement is parsed and the DOP is automatically determined.
3. Available parallel resources are checked.
  - a. If there are enough parallel resources and there are no statements ahead in the queue waiting for the resources, the SQL statement is executed.
  - b. If there are not enough parallel servers, the SQL statement is queued based on specified conditions and dequeued from the front of the queue when specified conditions are met.

Parallel statements are queued if running the statements would increase the number of active parallel servers above the value of the `PARALLEL_SERVERS_TARGET` initialization parameter. For example, if `PARALLEL_SERVERS_TARGET` is set to 64, the number of current active servers is 60, and a new parallel statement needs 16 parallel servers, it would be queued because 16 added to 60 is greater than 64, the value of `PARALLEL_SERVERS_TARGET`.

By default, the `PARALLEL_SERVERS_TARGET` parameter is set to  $4 \times \text{CPU\_COUNT} \times \text{PARALLEL\_THREADS\_PER\_CPU} \times \text{ACTIVE\_INSTANCES}$ . This is not the maximum number of parallel server processes allowed on the system, but the number available to run parallel statements before parallel statement queuing is used. It is set lower than the maximum number of parallel server processes allowed on the system (`PARALLEL_MAX_SERVERS`) to ensure each parallel statement gets all of the parallel server resources required and to prevent overloading the system with parallel server processes. Note all serial (non-parallel) statements executes immediately even if parallel statement queuing has been activated.

If a statement has been queued, it is identified by the `resmgr:pq queued` wait event.

This section discusses the following topics:

- [Managing Parallel Statement Queuing with Resource Manager](#)
- [Grouping Parallel Statements with a BEGIN\\_SQL\\_BLOCK .. END\\_SQL\\_BLOCK Block](#)
- [Managing Parallel Statement Queuing with Hints](#)

## Managing Parallel Statement Queuing with Resource Manager

---

---

**Note:** This functionality is available starting with Oracle Database 11g Release 2 (11.2.0.2).

---

---

By default, the parallel statement queue operates as a first-in, first-out queue. By configuring and setting a resource plan, you can control the order in which parallel statements are dequeued and the number of parallel servers used by each workload or consumer group.

Resource plans and consumer groups are created using the `DBMS_RESOURCE_MANAGER` PL/SQL package. A resource plan consists of a collection of directives for each consumer group which specify controls and allocations for various database resources, such as parallel servers. A resource plan is enabled by setting the `RESOURCE_MANAGER_PLAN` parameter to the name of the resource plan.

The following sections describe the directives that can be used to manage the processing of parallel statements for consumer groups when the parallel degree policy is set to `AUTO`.

- [Managing the Order of the Parallel Statement Queue](#)
- [Limiting the Parallel Server Resources for a Consumer Group](#)
- [Specifying a Parallel Statement Queue Timeout for Each Consumer Group](#)
- [Specifying a Degree of Parallelism Limit for Consumer Groups](#)
- [A Sample Scenario for Managing Statements in the Parallel Queue](#)

In all cases, the parallel statement queue is managed as a single queue on an Oracle RAC database. Limits for each consumer group apply to all sessions across the Oracle RAC database that belong to that consumer group. The queuing of parallel statements occurs based on the sum of the values of the `PARALLEL_SERVERS_TARGET` initialization parameter across all database instances.

### See Also:

- *Oracle Database Administrator's Guide* for information about managing Oracle Database resources with Resource Manager
- *Oracle Database Reference* for information about `V$RSRC*` views, the `DBA_HIST_RSRC_CONSUMER_GROUP` view, and parallel query wait events
- *Oracle Database PL/SQL Packages and Types Reference* for information about the `DBMS_RESOURCE_MANAGER` package

**Managing the Order of the Parallel Statement Queue** You can use Resource Manager to manage the order that parallel statements are dequeued from the parallel statement queue. The parallel statements for a particular consumer group are always dequeued in FIFO order. The directives `mgmt_p1 ... mgmt_p8` are used to determine which consumer group's parallel statement should be dequeued next. These directives are configured using the `CREATE_PLAN_DIRECTIVE` or `UPDATE_PLAN_DIRECTIVE` procedure in the `DBMS_RESOURCE_MANAGER` PL/SQL package.

For example, you can create the `PQ_HIGH`, `PQ_MEDIUM`, and `PQ_LOW` consumer groups and map parallel statement sessions to these consumer groups based on priority. You then create a resource plan that sets `mgmt_p1` to 70% for `PQ_HIGH`, 25% for `PQ_MEDIUM`, and 5% for `PQ_LOW`. This indicates that `PQ_HIGH` statements are dequeued next with a probability of 70% of the time, `PQ_MEDIUM` dequeued next with a probability of 25% of the time, and `PQ_LOW` dequeued next with a probability of 5% of the time.

**Limiting the Parallel Server Resources for a Consumer Group** You can use Resource Manager to limit the number of parallel servers that parallel statements from lower priority consumer groups can use for parallel statement processing. Using Resource Manager you can map parallel statement sessions to different consumer groups that each have specific limits on the number of the parallel servers that can be used. When these limits are specified, parallel statements from a consumer group are queued when this limit would be exceeded.

This limitation becomes useful when a database has high priority and low priority consumer groups. Without limits, a user may issue a large number of parallel statements from a low-priority consumer group that utilizes all parallel servers. When a parallel statement from a high priority consumer group is issued, the resource allocation directives can ensure that the high priority parallel statement is dequeued first. By limiting the number of parallel servers a low-priority consumer group can use, you can ensure that there are always some parallel servers available for a high priority consumer group.

To limit the parallel servers used by a consumer group, use the `parallel_target_percentage` parameter with the `CREATE_PLAN_DIRECTIVE` procedure or the `new_parallel_target_percentage` parameter with the `UPDATE_PLAN_DIRECTIVE` procedure in the `DBMS_RESOURCE_MANAGER` package. The `parallel_target_percentage` and `new_parallel_target_percentage` parameters specify the maximum percentage of the Oracle RAC-wide parallel server pool that is specified by `PARALLEL_SERVERS_TARGET` that a consumer group can use.

For example, on an Oracle RAC database system, the initialization parameter `PARALLEL_SERVERS_TARGET` is set to 32 on two nodes so there are a total of  $32 \times 2 = 64$  parallel servers that can be used before queuing begins. You can set up the consumer group `PQ_LOW` to use 50% of the available parallel servers (`parallel_target_percentage = 50`) and low priority statements can then be mapped to the `PQ_LOW` consumer group. This scenario limits any parallel statements from the `PQ_LOW` consumer group to  $64 \times 50\% = 32$  parallel servers, even though there are more inactive or unused parallel servers. In this scenario, after the statements from the `PQ_LOW` consumer group have used 32 parallel servers, statements from that consumer group are queued.

It is possible in one database to have some sessions with the parallelism degree policy set to `MANUAL` and some sessions set to `AUTO`. In this scenario, only the sessions with parallelism degree policy set to `AUTO` can be queued. However, the parallel servers used in sessions where the parallelism degree policy is set to `MANUAL` are included in the total of all parallel servers used by a consumer group.

For information about limiting parallel resources for users, refer to ["When Users Have Too Many Processes"](#) on page 8-43 and ["Limiting the Number of Resources for a User using a Consumer Group"](#) on page 8-44.

**Specifying a Parallel Statement Queue Timeout for Each Consumer Group** You can use Resource Manager to set the maximum queue timeout limit so that parallel statements do not stay in the queue for long periods of time. Using Resource Manager you can map parallel statement sessions to different consumer groups that each have specific maximum timeout limits in a resource plan.

To manage the queue timeout, the `parallel_queue_timeout` parameter is used with the `CREATE_PLAN_DIRECTIVE` procedure or the `new_parallel_queue_timeout` parameter is used with the `UPDATE_PLAN_DIRECTIVE` procedure in the `DBMS_RESOURCE_MANAGER` package. The `parallel_queue_timeout` and `new_parallel_queue_timeout` parameters specify the time in seconds that a statement can remain in a consumer group parallel statement queue. After the timeout period has expired, the statement is terminated with error `ORA-7454` and removed from the parallel statement queue.

**Specifying a Degree of Parallelism Limit for Consumer Groups** You can use Resource Manager to the limit the degree of parallelism for specific consumer groups. Using Resource Manager you can map parallel statement sessions to different consumer groups that each have specific limits for the degree of parallelism in a resource plan.

To manage the limit of parallelism in consumer groups, use the `parallel_degree_limit_p1` parameter with the `CREATE_PLAN_DIRECTIVE` procedure in the `DBMS_RESOURCE_MANAGER` package or the `new_parallel_degree_limit_p1` parameter with the `UPDATE_PLAN_DIRECTIVE` procedure in the `DBMS_RESOURCE_MANAGER` package. The `parallel_degree_limit_p1` and `new_parallel_degree_limit_p1` parameters specify a limit on the degree of parallelism for any operation.

For example, you can create the `PQ_HIGH`, `PQ_MEDIUM`, and `PQ_LOW` consumer groups and map parallel statement sessions to these consumer groups based on priority. You then create a resource plan that specifies degree of parallelism limits so that the `PQ_HIGH` limit is set to 16, the `PQ_MEDIUM` limit is set to 8, and the `PQ_LOW` limit is set to 2.

**A Sample Scenario for Managing Statements in the Parallel Queue** This scenario discusses how to manage statements in the parallel queue with consumer groups set up with Resource Manager. For this scenario, consider a data warehouse workload that consists of three types of SQL statements:

- Short-running SQL statements  
Short-running identifies statements running less than one minute. You expect these statements to have very good response times.
- Medium-running SQL statements  
Medium-running identifies statements running more than one minute, but less than 15 minutes. You expect these statements to have reasonably good response times.
- Long-running SQL statements  
Long-running identifies statements that are ad-hoc or complex queries running more than 15 minutes. You expect these statements to take a long time.

For this data warehouse workload, you want better response times for the short-running statements. To achieve this goal, you must ensure that:

- Long-running statements do not use all of the parallel server resources, forcing shorter statements to wait in the parallel statement queue.
- When both short-running and long-running statements are queued, short-running statements should be dequeued ahead of long-running statements.
- The DOP for short-running queries is limited because the speedup from a very high DOP is not significant enough to justify the use of a large number of parallel servers.

**Example 8-1** shows how to set up consumer groups using Resource Manager to set priorities for statements in the parallel statement queue. Note the following for this example:

- By default, users are assigned to the OTHER\_GROUPS consumer group. If the estimated execution time of a SQL statement is longer than 1 minute (60 seconds), then the user switches to MEDIUM\_SQL\_GROUP. Because `switch_for_call` is set to TRUE, the user returns to OTHER\_GROUPS when the statement has completed. If the user is in MEDIUM\_SQL\_GROUP and the estimated execution time of the statement is longer than 15 minutes (900 seconds), the user switches to LONG\_SQL\_GROUP. Similarly, because `switch_for_call` is set to TRUE, the user returns to OTHER\_GROUPS when the query has completed. The directives used to accomplish the switch process are `switch_time`, `switch_estimate`, `switch_for_call`, and `switch_group`.
- After the number of active parallel servers reaches the value of the `PARALLEL_SERVERS_TARGET` initialization parameter, subsequent parallel statements are queued. The `mgmt_p[1-8]` directives control the order in which parallel statements are dequeued when parallel servers become available. Because `mgmt_p1` is set to 100% for SYS\_GROUP in this example, parallel statements from SYS\_GROUP are always dequeued first. If no parallel statements from SYS\_GROUP are queued, then parallel statements from OTHER\_GROUPS are dequeued with probability 70%, from MEDIUM\_SQL\_GROUP with probability 20%, and LONG\_SQL\_GROUP with probability 10%.
- Parallel statements issued from OTHER\_GROUPS are limited to a DOP of 4 with the setting of the `parallel_degree_limit_p1` directive.
- To prevent parallel statements of the LONG\_SQL\_GROUP group from using all of the parallel servers, which could potentially cause parallel statements from OTHER\_GROUPS or MEDIUM\_SQL\_GROUP to wait for long periods of time, its `parallel_target_percentage` directive is set to 50%. This means that after LONG\_SQL\_GROUP has used up 50% of the parallel servers set with the `PARALLEL_SERVERS_TARGET` initialization parameter, its parallel statements are forced to wait in the queue.
- Because parallel statements of the LONG\_SQL\_GROUP group may be queued for a significant amount of time, a timeout is configured for 14400 seconds (4 hours). When a parallel statement from LONG\_SQL\_GROUP has waited in the queue for 4 hours, the statement is terminated with the error ORA-7454.

**Example 8-1 Using consumer groups to set priorities in the parallel statement queue**

```
BEGIN
  DBMS_RESOURCE_MANAGER.CREATE_PENDING_AREA();

  /* Create consumer groups.
   * By default, users start in OTHER_GROUPS, which is automatically
   * created for every database.
   */
```

```

DBMS_RESOURCE_MANAGER.CREATE_CONSUMER_GROUP(
  'MEDIUM_SQL_GROUP',
  'Medium-running SQL statements, between 1 and 15 minutes. Medium priority.');
```

```

DBMS_RESOURCE_MANAGER.CREATE_CONSUMER_GROUP(
  'LONG_SQL_GROUP',
  'Long-running SQL statements of over 15 minutes. Low priority.');
```

```

/* Create a plan to manage these consumer groups */
DBMS_RESOURCE_MANAGER.CREATE_PLAN(
  'REPORTS_PLAN',
  'Plan for daytime that prioritizes short-running queries');
```

```

DBMS_RESOURCE_MANAGER.CREATE_PLAN_DIRECTIVE(
  'REPORTS_PLAN', 'SYS_GROUP', 'Directive for sys activity',
  mgmt_p1 => 100);
```

```

DBMS_RESOURCE_MANAGER.CREATE_PLAN_DIRECTIVE(
  'REPORTS_PLAN', 'OTHER_GROUPS', 'Directive for short-running queries',
  mgmt_p2 => 70,
  parallel_degree_limit_p1 => 4,
  switch_time => 60, switch_estimate => TRUE, switch_for_call => TRUE,
  switch_group => 'MEDIUM_SQL_GROUP');
```

```

DBMS_RESOURCE_MANAGER.CREATE_PLAN_DIRECTIVE(
  'REPORTS_PLAN', 'MEDIUM_SQL_GROUP', 'Directive for medium-running queries',
  mgmt_p2 => 20,
  parallel_target_percentage => 80,
  switch_time => 900, switch_estimate => TRUE, switch_for_call => TRUE,
  switch_group => 'LONG_SQL_GROUP');
```

```

DBMS_RESOURCE_MANAGER.CREATE_PLAN_DIRECTIVE(
  'REPORTS_PLAN', 'LONG_SQL_GROUP', 'Directive for medium-running queries',
  mgmt_p2 => 10,
  parallel_target_percentage => 50,
  parallel_queue_timeout => 14400);
```

```

DBMS_RESOURCE_MANAGER.SUBMIT_PENDING_AREA();
END;
/

/* Allow all users to run in these consumer groups */
EXEC DBMS_RESOURCE_MANAGER_PRIVS.GRANT_SWITCH_CONSUMER_GROUP(
  'public', 'MEDIUM_SQL_GROUP', FALSE);

EXEC DBMS_RESOURCE_MANAGER_PRIVS.GRANT_SWITCH_CONSUMER_GROUP(
  'public', 'LONG_SQL_GROUP', FALSE);
```

## Grouping Parallel Statements with a BEGIN\_SQL\_BLOCK .. END\_SQL\_BLOCK Block

---

**Note:** This functionality is available starting with Oracle Database 11g Release 2 (11.2.0.2).

---

Often it is important for a report or batch job that consists of multiple parallel statements to complete as quickly as possible. For example, when many reports are launched simultaneously, you may want all of the reports to complete as quickly as



possible. However, you also want some specific reports to complete first, rather than all reports finishing at the same time.

If a report contains multiple parallel statements and `PARALLEL_DEGREE_POLICY` is set to `AUTO`, then each parallel statement may be forced to wait in the queue on a busy database. For example, the following steps describe a scenario in SQL statement processing:

```
serial statement
parallel query - dop 8
  -> wait in queue
serial statement
parallel query - dop 32
  -> wait in queue
parallel query - dop 4
  -> wait in queue
```

For a report to be completed quickly, the parallel statements must be grouped to produce the following behavior:

```
start SQL block
serial statement
parallel query - dop 8
  -> first parallel query: ok to wait in queue
serial statement
parallel query - dop 32
  -> avoid or minimize wait
parallel query - dop 4
  -> avoid or minimize wait
end SQL block
```

To group the parallel statements, you can use the `BEGIN_SQL_BLOCK` and `END_SQL_BLOCK` procedures in the `DBMS_RESOURCE_MANAGER` PL/SQL package. For each consumer group, the parallel statement queue is ordered by the time associated with each of the consumer group's parallel statements. Typically, the time associated with a parallel statement is the time that the statement was enqueued, which means that the queue appears to be FIFO. When parallel statements are grouped in a SQL block with the `BEGIN_SQL_BLOCK` and `END_SQL_BLOCK` procedures, the first queued parallel statement also uses the time that it was enqueued. However, the second and all subsequent parallel statements receive special treatment and are enqueued using the enqueue time of the first queued parallel statement within the SQL block. With this functionality, the statements frequently move to the front of the parallel statement queue. This preferential treatment ensures that their wait time is minimized.

**See Also:** *Oracle Database PL/SQL Packages and Types Reference* for information about the `DBMS_RESOURCE_MANAGER` package

## Managing Parallel Statement Queuing with Hints

You can use the `NO_STATEMENT_QUEUING` and `STATEMENT_QUEUING` hints in SQL statements to manage parallel statement queuing.

- `NO_STATEMENT_QUEUING`

When `PARALLEL_DEGREE_POLICY` is set to `AUTO`, this hint enables a statement to bypass the parallel statement queue. For example:

```
SELECT /* NO_STATEMENT_QUEUING */ emp.last_name, dpt.department_name
FROM employees emp, departments dpt
WHERE emp.department_id = dpt.department_id;
```

- STATEMENT\_QUEUING

When `PARALLEL_DEGREE_POLICY` is not set to `AUTO`, this hint enables a statement to be delayed and to only run when parallel processes are available to run at the requested DOP. For example:

```
SELECT /* STATEMENT_QUEUING */ emp.last_name, dpt.department_name
FROM employees emp, departments dpt
WHERE emp.department_id = dpt.department_id;
```

## The Parallel Execution Server Pool

When an instance starts, Oracle Database creates a pool of parallel execution servers, which are available for any parallel operation. The initialization parameter `PARALLEL_MIN_SERVERS` specifies the number of parallel execution servers that Oracle Database creates at instance startup.

When executing a parallel operation, the parallel execution coordinator obtains parallel execution servers from the pool and assigns them to the operation. If necessary, Oracle Database can create additional parallel execution servers for the operation. These parallel execution servers remain with the operation throughout execution. After the statement has been processed completely, the parallel execution servers return to the pool.

If the number of parallel operations increases, Oracle Database creates additional parallel execution servers to handle incoming requests. However, Oracle Database never creates more parallel execution servers for an instance than the value specified by the initialization parameter `PARALLEL_MAX_SERVERS`.

If the number of parallel operations decreases, Oracle Database terminates any parallel execution servers that have been idle for a threshold interval. Oracle Database does not reduce the size of the pool less than the value of `PARALLEL_MIN_SERVERS`, no matter how long the parallel execution servers have been idle.

### Processing without Enough Parallel Execution Servers

Oracle Database can process a parallel operation with fewer than the requested number of processes. If all parallel execution servers in the pool are occupied and the maximum number of parallel execution servers has been started, the parallel execution coordinator switches to serial processing.

See *Oracle Database Reference* for information about using the initialization parameter `PARALLEL_MIN_PERCENT` and "[Tuning General Parameters for Parallel Execution](#)" on page 8-42 for information about the `PARALLEL_MIN_PERCENT` and `PARALLEL_MAX_SERVERS` initialization parameters.

## Granules of Parallelism

The basic unit of work in parallelism is called a granule. Oracle Database divides the operation being parallelized (for example, a table scan, table update, or index creation) into granules. Parallel execution processes execute the operation one granule at a time. The number of granules and their size correlates with the degree of parallelism (DOP). It also affects how well the work is balanced across query server processes.

### Block Range Granules

Block range granules are the basic unit of most parallel operations, even on partitioned tables. Therefore, from an Oracle Database perspective, the degree of parallelism is not related to the number of partitions.

Block range granules are ranges of physical blocks from a table. Oracle Database computes the number and the size of the granules during run-time to optimize and balance the work distribution for all affected parallel execution servers. The number and size of granules are dependent upon the size of the object and the DOP. Block range granules do not depend on static preallocation of tables or indexes. During the computation of the granules, Oracle Database takes the DOP into account and tries to assign granules from different data files to each of the parallel execution servers to avoid contention whenever possible. Additionally, Oracle Database considers the disk affinity of the granules on MPP systems to take advantage of the physical proximity between parallel execution servers and disks.

## Partition Granules

When partition granules are used, a parallel server process works on an entire partition or subpartition of a table or index. Because partition granules are statically determined by the structure of the table or index when a table or index is created, partition granules do not give you the flexibility in parallelizing an operation that block granules do. The maximum allowable DOP is the number of partitions. This might limit the utilization of the system and the load balancing across parallel execution servers.

When partition granules are used for parallel access to a table or index, you should use a relatively large number of partitions (ideally, three times the DOP), so that Oracle Database can effectively balance work across the query server processes.

Partition granules are the basic unit of parallel index range scans, joins between two equipartitioned tables where the query optimizer has chosen to use partition-wise joins, and of parallel operations that modify multiple partitions of a partitioned object. These operations include parallel creation of partitioned indexes, and parallel creation of partitioned tables.

You can tell which types of granules were used by looking at the execution plan of a statement. The line PX BLOCK ITERATOR above the table or index access indicates that block range granules have been used. In the following example plan, you can see this on line 7 of the execution plan just above the TABLE FULL ACCESS on the SALES table.

```
-----
```

| Id | Operation          | Name     | Rows | Bytes | Cost%CPU | Time     | Pst | Pst | TQ    | INOUT | PQDistri |
|----|--------------------|----------|------|-------|----------|----------|-----|-----|-------|-------|----------|
| 0  | SELECT STATEMENT   |          | 17   | 153   | 565(100) | 00:00:07 |     |     |       |       |          |
| 1  | PX COORDINATOR     |          |      |       |          |          |     |     |       |       |          |
| 2  | PX SEND QC(RANDOM) | :TQ10001 | 17   | 153   | 565(100) | 00:00:07 |     |     | Q1,01 | P->S  | QC(RAND) |
| 3  | HASH GROUP BY      |          | 17   | 153   | 565(100) | 00:00:07 |     |     | Q1,01 | PCWP  |          |
| 4  | PX RECEIVE         |          | 17   | 153   | 565(100) | 00:00:07 |     |     | Q1,01 | PCWP  |          |
| 5  | PX SEND HASH       | :TQ10000 | 17   | 153   | 565(100) | 00:00:07 |     |     | Q1,00 | P->P  | HASH     |
| 6  | HASH GROUP BY      |          | 17   | 153   | 565(100) | 00:00:07 |     |     | Q1,00 | PCWP  |          |
| 7  | PX BLOCK ITERATOR  |          | 10M  | 85M   | 60(97)   | 00:00:01 | 1   | 16  | Q1,00 | PCWC  |          |
| *8 | TABLE ACCESS FULL  | SALES    | 10M  | 85M   | 60(97)   | 00:00:01 | 1   | 16  | Q1,00 | PCWP  |          |

```
-----
```

Predicate Information (identified by operation id):

```
8 - filter("CUST_ID"<=22810 AND "CUST_ID">=22300)
```

When partition granules are used, you see the line PX PARTITION RANGE above the table or index access in the execution plan. In the example below, on line 6, it says PX PARTITION RANGE ALL because this statement accesses all of the 16 partitions in the table. If not all of the partitions are accessed, it simply shows PX PARTITION RANGE.

| Id | Operation                    | Name       | Rows | Byte | Cost%CPU | Time     | Ps | Ps | TQ    | INOU | PQDistri  |
|----|------------------------------|------------|------|------|----------|----------|----|----|-------|------|-----------|
| 0  | SELECT STATEMENT             |            | 17   | 153  | 2 (50)   | 00:00:01 |    |    |       |      |           |
| 1  | PX COORDINATOR               |            |      |      |          |          |    |    |       |      |           |
| 2  | PX SEND QC (RANDOM)          | :TQ10001   | 17   | 153  | 2 (50)   | 00:00:01 |    |    | Q1,01 | P->S | QC (RAND) |
| 3  | HASH GROUP BY                |            | 17   | 153  | 2 (50)   | 00:00:01 |    |    | Q1,01 | PCWP |           |
| 4  | PX RECEIVE                   |            | 26   | 234  | 1 (0)    | 00:00:01 |    |    | Q1,01 | PCWP |           |
| 5  | PX SEND HASH                 | :TQ10000   | 26   | 234  | 1 (0)    | 00:00:01 |    |    | Q1,00 | P->P | HASH      |
| 6  | PX PARTITION RANGE ALL       |            | 26   | 234  | 1 (0)    | 00:00:01 |    |    | Q1,00 | PCWP |           |
| 7  | TABLEACCESSLOCAL INDEX ROWID | SALES      | 26   | 234  | 1 (0)    | 00:00:01 | 1  | 16 | Q1,00 | PCWC |           |
| *8 | INDEX RANGE SCAN             | SALES_CUST | 26   |      | 1 (0)    | 00:00:01 | 1  | 16 | Q1,00 | PCWP |           |

Predicate Information (identified by operation id):

8 - access("CUST\_ID" <= 22810 AND "CUST\_ID" >= 22300)

### Balancing the Workload

To optimize performance, all parallel execution servers should have equal workloads. For SQL statements parallelized by block range or by parallel execution servers, the workload is dynamically divided among the parallel execution servers. This minimizes workload skewing, which occurs when some parallel execution servers perform significantly more work than the other processes.

For the relatively few SQL statements parallelized by partitions, if the workload is evenly distributed among the partitions, you can optimize performance by matching the number of parallel execution servers to the number of partitions or by choosing a DOP in which the number of partitions is a multiple of the number of processes. This applies to partition-wise joins and parallel DML on tables created before Oracle9i Database. See ["Limitation on the Degree of Parallelism"](#) on page 8-60 for details regarding this topic.

For example, suppose a table has 16 partitions, and a parallel operation divides the work evenly among them. You can use 16 parallel execution servers (DOP equals 16) to do the work in approximately one-tenth the time that one process would take. You might also use five processes to do the work in one-fifth the time, or two processes to do the work in one-half the time.

If, however, you use 15 processes to work on 16 partitions, the first process to finish its work on one partition then begins work on the 16th partition; and as the other processes finish their work, they become idle. This configuration does not provide good performance when the work is evenly divided among partitions. When the work is unevenly divided, the performance varies depending on whether the partition that is left for last has more or less work than the other partitions.

Similarly, suppose you use six processes to work on 16 partitions and the work is evenly divided. In this case, each process works on a second partition after finishing its first partition, but only four of the processes work on a third partition while the other two remain idle.

In general, you cannot assume that the time taken to perform a parallel operation on a given number of partitions (N) with a given number of parallel execution servers (P) equals N/P. This formula does not consider the possibility that some processes might have to wait while others finish working on the last partitions. By choosing an appropriate DOP, however, you can minimize the workload skew and optimize performance.

## Parallel Execution Using Oracle RAC

By default, in an Oracle RAC environment, a SQL statement executed in parallel can run across all of the nodes in the cluster. For this cross-node or inter-node parallel execution to perform the interconnect in the Oracle RAC environment must be size appropriately as inter-node parallel execution may result in a lot of interconnect traffic. If interconnect has a considerably lower bandwidth in comparison to the I/O bandwidth from the server to the storage subsystem, it may be better to restrict the parallel execution to a single node or to a limited number of nodes. Inter-node parallel execution does not scale with an undersized interconnect.

To limit inter-node parallel execution, you can control parallel execution in an Oracle RAC environment using the `PARALLEL_FORCE_LOCAL` initialization parameter. By setting this parameter to `TRUE`, the parallel server processes can only execute on the same Oracle RAC node where the SQL statement was started.

### Limiting the Number of Available Instances

In Oracle Real Application Clusters, services are used to limit the number of instances that participate in a parallel SQL operation. The default service includes all available instances. You can create any number of services, each consisting of one or more instances. Parallel execution servers are only be used on instances which are members of the specified service. See *Oracle Real Application Clusters Administration and Deployment Guide* for more information about instance groups.

## Types of Parallelism

This section discusses the types of parallelism in the following topics:

- [About Parallel Queries](#)
- [About Parallel DDL Statements](#)
- [About Parallel DML Operations](#)
- [About Parallel Execution of Functions](#)
- [About Other Types of Parallelism](#)

### About Parallel Queries

You can use parallel queries and parallel subqueries in `SELECT` statements. You can also parallelize the query portions of DDL statements and DML statements (`INSERT`, `UPDATE`, and `DELETE`). You can also query external tables in parallel.

Parallelization has two components: the decision to parallelize and the degree of parallelism (DOP). These components are determined differently for queries, DDL operations, and DML operations. To determine the DOP, Oracle Database looks at the reference objects:

- Parallel query looks at each table and index, in the portion of the query being parallelized, to determine which is the reference table. The basic rule is to pick the table or index with the largest DOP.
- For parallel DML (`INSERT`, `UPDATE`, `MERGE`, and `DELETE`), the reference object that determines the DOP is the table being modified by and insert, update, or delete operation. Parallel DML also adds some limits to the DOP to prevent deadlock. If the parallel DML statement includes a subquery, the subquery's DOP is equivalent to the DML operation.

- For parallel DDL, the reference object that determines the DOP is the table, index, or partition being created, rebuilt, split, or moved. If the parallel DDL statement includes a subquery, the subquery's DOP is equivalent to the DDL operation.

For information about the query operations that Oracle Database can parallelize, refer to "[Operations That Can Be Parallelized](#)". For an explanation of how the processes perform parallel queries, refer to "[Parallelizing SQL Statements](#)". For examples of queries that reference a remote object, refer to "[Distributed Transaction Restrictions](#)". For information about the conditions for parallelizing a query and the factors that determine the DOP, refer to "[Rules for Parallelizing Queries](#)".

### Parallel Queries on Index-Organized Tables

The following parallel scan methods are supported on index-organized tables:

- Parallel fast full scan of a nonpartitioned index-organized table
- Parallel fast full scan of a partitioned index-organized table
- Parallel index range scan of a partitioned index-organized table

These scan methods can be used for index-organized tables with overflow areas and for index-organized tables that contain LOBs.

### Nonpartitioned Index-Organized Tables

Parallel query on a nonpartitioned index-organized table uses parallel fast full scan. The DOP is determined, in decreasing order of priority, by:

1. A `PARALLEL` hint (if present)
2. An `ALTER SESSION FORCE PARALLEL QUERY` statement
3. The parallel degree associated with the table, if the parallel degree is specified in the `CREATE TABLE` or `ALTER TABLE` statement

The allocation of work is done by dividing the index segment into a sufficiently large number of block ranges and then assigning the block ranges to parallel execution servers in a demand-driven manner. The overflow blocks corresponding to any row are accessed in a demand-driven manner only by the process, which owns that row.

### Partitioned Index-Organized Tables

Both index range scan and fast full scan can be performed in parallel. For parallel fast full scan, parallelization is the same as for nonpartitioned index-organized tables. For a parallel index range scan on a partitioned index-organized table, the DOP is the minimum of the degree picked up from the previous priority list (like in parallel fast full scan) and the number of partitions in the index-organized table. Depending on the DOP, each parallel execution server gets one or more partitions, each of which contains the primary key index segment and the associated overflow segment, if any.

### Parallel Queries on Object Types

Parallel queries can be performed on object type tables and tables containing object type columns. Parallel query for object types supports all of the features that are available for sequential queries on object types, including:

- Methods on object types
- Attribute access of object types
- Constructors to create object type instances
- Object views

- PL/SQL and OCI queries for object types

There are no limitations on the size of the object types for parallel queries.

The following restrictions apply to using parallel query for object types.

- A MAP function is needed to parallelize queries involving joins and sorts (through ORDER BY, GROUP BY, or set operations). Without a MAP function, the query is automatically executed serially.
- Parallel DML and parallel DDL are not supported with object types, and such statements are always performed serially.

In all cases where the query cannot execute in parallel because of any of these restrictions, the whole query executes serially without giving an error message.

### Rules for Parallelizing Queries

This section discusses some rules for parallelizing queries.

**Decision to Parallelize** A SELECT statement can be parallelized only if the following conditions are satisfied:

- The query includes a parallel hint specification (PARALLEL or PARALLEL\_INDEX) or the schema objects referred to in the query have a PARALLEL declaration associated with them.
- At least one table specified in the query requires one of the following:
  - A full table scan
  - An index range scan spanning multiple partitions
- No scalar subqueries are in the SELECT list.

**Degree of Parallelism** The DOP for a query is determined by the following rules:

- The query uses the maximum DOP taken from all of the table declarations involved in the query and all of the potential indexes that are candidates to satisfy the query (the reference objects). That is, the table or index that has the greatest DOP determines the query's DOP maximum query directive.
- If a table has both a parallel hint specification in the query and a parallel declaration in its table specification, the hint specification takes precedence over parallel declaration specification. See [Table 8-2](#) on page 8-40 for precedence rules.

## About Parallel DDL Statements

This section includes the following topics on parallelism for DDL statements:

- [DDL Statements That Can Be Parallelized](#)
- [CREATE TABLE ... AS SELECT in Parallel](#)
- [Recoverability and Parallel DDL](#)
- [Space Management for Parallel DDL](#)

### DDL Statements That Can Be Parallelized

You can parallelize DDL statements for tables and indexes that are nonpartitioned or partitioned. [Table 8-2](#) on page 8-40 summarizes the operations that can be parallelized in DDL statements.

The parallel DDL statements for nonpartitioned tables and indexes are:

- CREATE INDEX
- CREATE TABLE ... AS SELECT
- ALTER INDEX ... REBUILD

The parallel DDL statements for partitioned tables and indexes are:

- CREATE INDEX
- CREATE TABLE ... AS SELECT
- ALTER TABLE ... [MOVE | SPLIT | COALESCE] PARTITION
- ALTER INDEX ... [REBUILD | SPLIT] PARTITION
  - This statement can be executed in parallel only if the (global) index partition being split is usable.

All of these DDL operations can be performed in no-logging mode for either parallel or serial execution.

CREATE TABLE for an index-organized table can be parallelized either with or without an AS SELECT clause.

Different parallelism is used for different operations (see [Table 8–2](#) on page 8-40). Parallel CREATE TABLE ... AS SELECT statements on partitioned tables and parallel CREATE INDEX statements on partitioned indexes execute with a DOP equal to the number of partitions.

Parallel DDL cannot occur on tables with object columns. Parallel DDL cannot occur on nonpartitioned tables with LOB columns.

### **CREATE TABLE ... AS SELECT in Parallel**

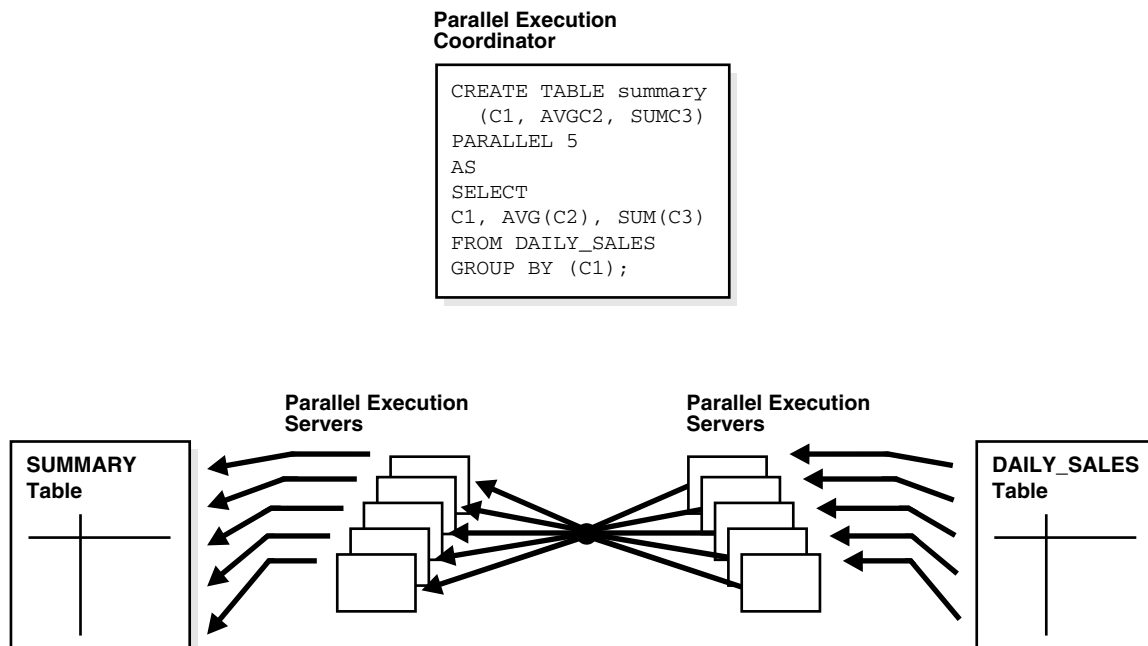
Parallel execution lets you parallelize the query and create operations of creating a table as a subquery from another table or set of tables. This can be extremely useful in the creation of summary or rollup tables.

Clustered tables cannot be created and populated in parallel.

[Figure 8–4](#) illustrates creating a table from a subquery in parallel.



Figure 8–4 Creating a Summary Table in Parallel



### Recoverability and Parallel DDL

Parallel DDL is often used to create summary tables or do massive data loads that are standalone transactions, which do not always need to be recoverable. By switching off Oracle Database logging, no undo or redo is generated, so the parallel DML operation is likely to perform better but becomes an *all or nothing* operation. In other words, if the operation fails, for whatever reason, you must completely redo the operation; it is not possible to restart it.

If you disable logging during parallel table creation (or any other parallel DDL operation), you should back up the tablespace containing the table after the table is created to avoid loss of the table due to media failure.

Use the `NOLOGGING` clause of the `CREATE TABLE`, `CREATE INDEX`, `ALTER TABLE`, and `ALTER INDEX` statements to disable undo and redo log generation.

### Space Management for Parallel DDL

Creating a table or index in parallel has space management implications that affect both the storage space required during a parallel operation and the free space available after a table or index has been created.

### Storage Space When Using Dictionary-Managed Tablespaces

When creating a table or index in parallel, each parallel execution server uses the values in the `STORAGE` clause of the `CREATE` statement to create temporary segments to store the rows. Therefore, a table created with a `NEXT` setting of 4 MB and a `PARALLEL DEGREE` of 16 consumes at least 64 megabytes (MB) of storage during table creation because each parallel server process starts with an extent of 4 MB. When the parallel execution coordinator combines the segments, some segments may be trimmed, and the resulting table may be smaller than the requested 64 MB.

## Free Space and Parallel DDL

When you create indexes and tables in parallel, each parallel execution server allocates a new extent and fills the extent with the table or index data. Thus, if you create an index with a DOP of 4, the index has at least four extents initially. This allocation of extents is the same for rebuilding indexes in parallel and for moving, splitting, or rebuilding partitions in parallel.

Serial operations require the schema object to have at least one extent. Parallel creations require that tables or indexes have at least as many extents as there are parallel execution servers creating the schema object.

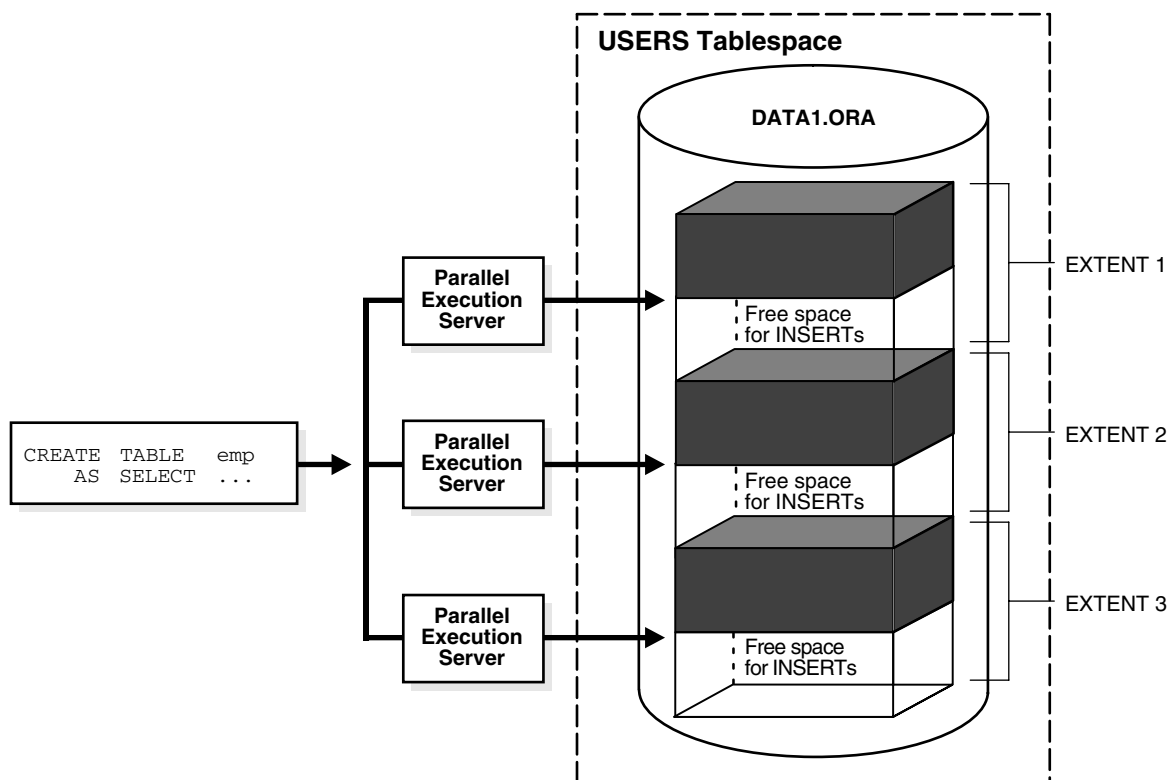
When you create a table or index in parallel, it is possible to create pockets of free space. This occurs when the temporary segments used by the parallel execution servers are larger than what is needed to store the rows.

- If the unused space in each temporary segment is larger than the value of the `MINIMUM EXTENT` parameter set at the tablespace level, then Oracle Database trims the unused space when merging rows from all of the temporary segments into the table or index. The unused space is returned to the system free space and can be allocated for new extents, but it cannot be coalesced into a larger segment because it is not contiguous space (external fragmentation).
- If the unused space in each temporary segment is smaller than the value of the `MINIMUM EXTENT` parameter, then unused space cannot be trimmed when the rows in the temporary segments are merged. This unused space is not returned to the system free space; it becomes part of the table or index (internal fragmentation) and is available only for subsequent inserts or for updates that require additional space.

For example, if you specify a DOP of 3 for a `CREATE TABLE ... AS SELECT` statement, but there is only one data file in the tablespace, then internal fragmentation may occur, as shown in [Figure 8-5](#) on page 8-29. The pockets of free space within the internal table extents of a data file cannot be coalesced with other free space and cannot be allocated as extents.

See *Oracle Database Performance Tuning Guide* for more information about creating tables and indexes in parallel.

Figure 8-5 Unusable Free Space (Internal Fragmentation)



### Rules for DDL Statements

You must keep the following in mind when parallelizing DDL statements.

**Decision to Parallelize** DDL operations can be parallelized if a `PARALLEL` clause (declaration) is specified in the syntax. For `CREATE INDEX` and `ALTER INDEX ... REBUILD` or `ALTER INDEX ... REBUILD PARTITION`, the parallel declaration is stored in the data dictionary.

You can use the `ALTER SESSION FORCE PARALLEL DDL` statement to override the parallel clauses of subsequent DDL statements in a session.

**Degree of Parallelism** The DOP is determined by the specification in the `PARALLEL` clause, unless it is overridden by an `ALTER SESSION FORCE PARALLEL DDL` statement. A rebuild of a partitioned index is never parallelized.

Parallel clauses in `CREATE TABLE` and `ALTER TABLE` statements specify table parallelism. If a parallel clause exists in a table definition, it determines the parallelism of DDL statements and queries. If the DDL statement contains explicit parallel hints for a table, however, those hints override the effect of parallel clauses for that table. You can use the `ALTER SESSION FORCE PARALLEL DDL` statement to override parallel clauses.

### Rules for [CREATE | REBUILD] INDEX or [MOVE | SPLIT] PARTITION

The following rules apply:

**Parallel CREATE INDEX or ALTER INDEX ... REBUILD** The CREATE INDEX and ALTER INDEX ... REBUILD statements can be parallelized only by a PARALLEL clause or an ALTER SESSION FORCE PARALLEL DDL statement.

ALTER INDEX ... REBUILD can be parallelized only for a nonpartitioned index, but ALTER INDEX ... REBUILD PARTITION can be parallelized by a PARALLEL clause or an ALTER SESSION FORCE PARALLEL DDL statement.

The scan operation for ALTER INDEX ... REBUILD (nonpartitioned), ALTER INDEX ... REBUILD PARTITION, and CREATE INDEX has the same parallelism as the REBUILD or CREATE operation and uses the same DOP. If the DOP is not specified for REBUILD or CREATE, the default is the number of CPUs.

**Parallel MOVE PARTITION or SPLIT PARTITION** The ALTER INDEX ... MOVE PARTITION and ALTER INDEX ... SPLIT PARTITION statements can be parallelized only by a PARALLEL clause or an ALTER SESSION FORCE PARALLEL DDL statement. Their scan operations have the same parallelism as the corresponding MOVE or SPLIT operations. If the DOP is not specified, the default is the number of CPUs.

### Rules for CREATE TABLE AS SELECT

The CREATE TABLE ... AS SELECT statement contains two parts: a CREATE part (DDL) and a SELECT part (query). Oracle Database can parallelize both parts of the statement. The CREATE part follows the same rules as other DDL operations.

**Decision to Parallelize (Query Part)** The query part of a CREATE TABLE ... AS SELECT statement can be parallelized only if the following conditions are satisfied:

- The query includes a parallel hint specification (PARALLEL or PARALLEL\_INDEX) or the CREATE part of the statement has a PARALLEL clause specification or the schema objects referred to in the query have a PARALLEL declaration associated with them.
- At least one table specified in the query requires either a full table scan or an index range scan spanning multiple partitions.

**Degree of Parallelism (Query Part)** The DOP for the query part of a CREATE TABLE ... AS SELECT statement is determined by one of the following rules:

- The query part uses the values specified in the PARALLEL clause of the CREATE part.
- If the PARALLEL clause is not specified, the default DOP is the number of CPUs.
- If the CREATE is serial, then the DOP is determined by the query.

Note that any values specified in a hint for parallelism are ignored.

**Decision to Parallelize (CREATE Part)** The CREATE operation of CREATE TABLE ... AS SELECT can be parallelized only by a PARALLEL clause or an ALTER SESSION FORCE PARALLEL DDL statement.

When the CREATE operation of CREATE TABLE ... AS SELECT is parallelized, Oracle Database also parallelizes the scan operation if possible. The scan operation cannot be parallelized if, for example:

- The SELECT clause has a NO\_PARALLEL hint
- The operation scans an index of a nonpartitioned table

When the `CREATE` operation is not parallelized, the `SELECT` can be parallelized if it has a `PARALLEL` hint or if the selected table (or partitioned index) has a parallel declaration.

**Degree of Parallelism (CREATE Part)** The DOP for the `CREATE` operation, and for the `SELECT` operation if it is parallelized, is specified by the `PARALLEL` clause of the `CREATE` statement, unless it is overridden by an `ALTER SESSION FORCE PARALLEL DDL` statement. If the `PARALLEL` clause does not specify the DOP, the default is the number of CPUs.

## About Parallel DML Operations

Parallel DML (`PARALLEL INSERT`, `UPDATE`, `DELETE`, and `MERGE`) uses parallel execution mechanisms to speed up or scale up large DML operations against large database tables and indexes.

---

---

**Note:** Although DML generally includes queries, in this chapter the term DML refers only to inserts, updates, merges, and deletes.

---

---

This section discusses the following parallel DML topics:

- [When to Use Parallel DML](#)
- [Enabling Parallel DML](#)
- [Transaction Restrictions for Parallel DML](#)
- [Rollback Segments](#)
- [Recovery for Parallel DML](#)
- [Space Considerations for Parallel DML](#)
- [Restrictions on Parallel DML](#)

### When to Use Parallel DML

Parallel DML is useful in a DSS environment where the performance and scalability of accessing large objects are important. Parallel DML complements parallel query in providing you with both querying and updating capabilities for your DSS databases.

The overhead of setting up parallelism makes parallel DML operations infeasible for short OLTP transactions. However, parallel DML operations can speed up batch jobs running in an OLTP database.

Several scenarios where parallel DML is used include:

- [Refreshing Tables in a Data Warehouse System](#)
- [Creating Intermediate Summary Tables](#)
- [Using Scoring Tables](#)
- [Updating Historical Tables](#)
- [Running Batch Jobs](#)

**Refreshing Tables in a Data Warehouse System** In a data warehouse system, large tables must be refreshed (updated) periodically with new or modified data from the production system. You can do this efficiently by using the `MERGE` statement.

**Creating Intermediate Summary Tables** In a DSS environment, many applications require complex computations that involve constructing and manipulating many large intermediate summary tables. These summary tables are often temporary and frequently do not need to be logged. Parallel DML can speed up the operations against these large intermediate tables. One benefit is that you can put incremental results in the intermediate tables and perform parallel update.

In addition, the summary tables may contain cumulative or comparison information which has to persist beyond application sessions; thus, temporary tables are not feasible. Parallel DML operations can speed up the changes to these large summary tables.

**Using Scoring Tables** Many DSS applications score customers periodically based on a set of criteria. The scores are usually stored in large DSS tables. The score information is then used in making a decision, for example, inclusion in a mailing list.

This scoring activity queries and updates a large number of rows in the table. Parallel DML can speed up the operations against these large tables.

**Updating Historical Tables** Historical tables describe the business transactions of an enterprise over a recent time interval. Periodically, the DBA deletes the set of oldest rows and inserts a set of new rows into the table. Parallel `INSERT ... SELECT` and parallel `DELETE` operations can speed up this rollover task.

Dropping a partition can also be used to delete old rows. However, the table has to be partitioned by date and with the appropriate time interval.

**Running Batch Jobs** Batch jobs executed in an OLTP database during off hours have a fixed time window in which the jobs must complete. A good way to ensure timely job completion is to parallelize their operations. As the work load increases, more computer resources can be added; the scaleup property of parallel operations ensures that the time constraint can be met.

## Enabling Parallel DML

A DML statement can be parallelized only if you have explicitly enabled parallel DML in the session. For example, the following statement:

```
ALTER SESSION ENABLE PARALLEL DML;
```

This mode is required because parallel DML and serial DML have different locking, transaction, and disk space requirements and parallel DML is disabled for a session by default.

When parallel DML is disabled, no DML is executed in parallel even if the `PARALLEL` hint is used.

When parallel DML is enabled in a session, all DML statements in this session are considered for parallel execution. However, even if parallel DML is enabled, the DML operation may still execute serially if there are no parallel hints or no tables with a parallel attribute or if restrictions on parallel operations are violated.

The session's `PARALLEL DML` mode does not influence the parallelism of `SELECT` statements, DDL statements, and the query portions of DML statements. Thus, if this mode is not set, the DML operation is not parallelized, but scans or join operations within the DML statement may still be parallelized.

For more information, refer to ["Space Considerations for Parallel DML"](#) on page 8-36 and ["Restrictions on Parallel DML"](#) on page 8-36.

## Rules for UPDATE, MERGE, and DELETE

You have two ways to specify parallel directives for UPDATE, MERGE, and DELETE operations (if PARALLEL DML mode is enabled):

- Use a parallel clause in the definition of the table being updated or deleted (the reference object).
- Use an update, merge, or delete parallel hint in the statement.

Parallel hints are placed immediately after the UPDATE, MERGE, or DELETE keywords in UPDATE, MERGE, and DELETE statements. The hint also applies to the underlying scan of the table being changed.

You can use the ALTER SESSION FORCE PARALLEL DML statement to override parallel clauses for subsequent UPDATE, MERGE, and DELETE statements in a session. Parallel hints in UPDATE, MERGE, and DELETE statements override the ALTER SESSION FORCE PARALLEL DML statement.

For possible limitations, see "[Limitation on the Degree of Parallelism](#)" on page 8-60.

**Decision to Parallelize** The following rule determines whether the UPDATE, MERGE, or DELETE operation should be parallelized:

The UPDATE or DELETE operation is parallelized if and only if at least one of the following is true:

- The table being updated or deleted has a PARALLEL specification.
- The PARALLEL hint is specified in the DML statement.
- An ALTER SESSION FORCE PARALLEL DML statement has been issued previously during the session.

If the statement contains subqueries or updatable views, then they may have their own separate parallel hints or clauses. However, these parallel directives do not affect the decision to parallelize the UPDATE, MERGE, or DELETE.

The parallel hint or clause on the tables is used by both the query and the UPDATE, MERGE, DELETE portions to determine parallelism, the decision to parallelize the UPDATE, MERGE, or DELETE portion is made independently of the query portion, and vice versa.

**Degree of Parallelism** The DOP is determined by the same rules as for the queries. Note that, for UPDATE and DELETE operations, only the target table to be modified (the only reference object) is involved. Thus, the UPDATE or DELETE parallel hint specification takes precedence over the parallel declaration specification of the target table. In other words, the precedence order is: MERGE, UPDATE, DELETE hint > Session > Parallel declaration specification of target table. See [Table 8-2](#) on page 8-40 for precedence rules.

If the DOP is less than the number of partitions, then the first process to finish work on one partition continues working on another partition, and so on until the work is finished on all partitions. If the DOP is greater than the number of partitions involved in the operation, then the excess parallel execution servers have no work to do.

### **Example 8-2 Parallelization: Example 1**

```
UPDATE tbl_1 SET c1=c1+1 WHERE c1>100;
```

If `tbl_1` is a partitioned table and its table definition has a parallel clause, then the update operation is parallelized even if the scan on the table is serial (such as an index scan), if the table has multiple partitions with `c1` greater than 100.

**Example 8-3 Parallelization: Example 2**

```
UPDATE /*+ PARALLEL(tbl_2,4) */ tbl_2 SET c1=c1+1;
```

Both the scan and update operations on `tbl_2` are parallelized with degree four.

### Rules for INSERT ... SELECT

An `INSERT ... SELECT` statement parallelizes its `INSERT` and `SELECT` operations independently, except for the DOP.

You can specify a parallel hint after the `INSERT` keyword in an `INSERT ... SELECT` statement. Because the tables being queried are usually different than the table being inserted into, the hint enables you to specify parallel directives specifically for the insert operation.

You have the following ways to specify parallel directives for an `INSERT ... SELECT` statement (if `PARALLEL DML` mode is enabled):

- `SELECT` parallel hints specified at the statement
- Parallel clauses specified in the definition of tables being selected
- `INSERT` parallel hint specified at the statement
- Parallel clause specified in the definition of tables being inserted into

You can use the `ALTER SESSION FORCE PARALLEL DML` statement to override parallel clauses for subsequent `INSERT` operations in a session. Parallel hints in insert operations override the `ALTER SESSION FORCE PARALLEL DML` statement.

**Decision to Parallelize** The following rule determines whether the `INSERT` operation should be parallelized in an `INSERT ... SELECT` statement:

The `INSERT` operation is parallelized if and only if at least one of the following is true:

- The `PARALLEL` hint is specified after the `INSERT` in the DML statement.
- The table being inserted into (the reference object) has a `PARALLEL` declaration specification.
- An `ALTER SESSION FORCE PARALLEL DML` statement has been issued previously during the session.

The decision to parallelize the `INSERT` operation is made independently of the `SELECT` operation, and vice versa.

**Degree of Parallelism** After the decision to parallelize the `SELECT` or `INSERT` operation is made, one parallel directive is picked for deciding the DOP of the whole statement, using the following precedence rule: Insert hint directive > Session > Parallel declaration specification of the inserting table > Maximum query directive.

In this context, maximum query directive means that among multiple tables and indexes, the table or index that has the maximum DOP determines the parallelism for the query operation.

The chosen parallel directive is applied to both the `SELECT` and `INSERT` operations.



**Example 8–4 Parallelization: Example 3**

The DOP used is 2, as specified in the `INSERT` hint:

```
INSERT /*+ PARALLEL(tbl_ins,2) */ INTO tbl_ins
SELECT /*+ PARALLEL(tbl_sel,4) */ * FROM tbl_sel;
```

**Transaction Restrictions for Parallel DML**

To execute a DML operation in parallel, the parallel execution coordinator acquires parallel execution servers, and each parallel execution server executes a portion of the work under its own parallel process transaction.

- Each parallel execution server creates a different parallel process transaction.
- If you use rollback segments instead of Automatic Undo Management, you may want to reduce contention on the rollback segments by limiting the number of parallel process transactions residing in the same rollback segment. See *Oracle Database SQL Language Reference* for more information.

The coordinator also has its own coordinator transaction, which can have its own rollback segment. To ensure user-level transactional atomicity, the coordinator uses a two-phase commit protocol to commit the changes performed by the parallel process transactions.

A session that is enabled for parallel DML may put transactions in the session in a special mode: If any DML statement in a transaction modifies a table in parallel, no subsequent serial or parallel query or DML statement can access the same table again in that transaction. The results of parallel modifications cannot be seen during the transaction.

Serial or parallel statements that attempt to access a table that has been modified in parallel within the same transaction are rejected with an error message.

If a PL/SQL procedure or block is executed in a parallel DML enabled session, then this rule applies to statements in the procedure or block.

**Rollback Segments**

If you use rollback segments instead of Automatic Undo Management, there are some restrictions when using parallel DML. See *Oracle Database SQL Language Reference* for information about restrictions for parallel DML and rollback segments.

**Recovery for Parallel DML**

The time required to roll back a parallel DML operation is roughly equal to the time it takes to perform the forward operation.

Oracle Database supports parallel rollback after transaction and process failures, and after instance and system failures. Oracle Database can parallelize both the rolling forward stage and the rolling back stage of transaction recovery.

See *Oracle Database Backup and Recovery User's Guide* for details about parallel rollback.

**Transaction Recovery for User-Issued Rollback** A user-issued rollback in a transaction failure due to statement error is performed in parallel by the parallel execution coordinator and the parallel execution servers. The rollback takes approximately the same amount of time as the forward transaction.

**Process Recovery** Recovery from the failure of a parallel execution coordinator or parallel execution server is performed by the PMON process. If a parallel execution

server or a parallel execution coordinator fails, PMON rolls back the work from that process and all other processes in the transaction roll back their changes.

**System Recovery** Recovery from a system failure requires a new startup. Recovery is performed by the SMON process and any recovery server processes spawned by SMON. Parallel DML statements may be recovered using parallel rollback. If the initialization parameter `COMPATIBLE` is set to 8.1.3 or greater, Fast-Start On-Demand Rollback enables terminated transactions to be recovered, on demand one block at a time.

### Space Considerations for Parallel DML

Parallel `UPDATE` uses the existing free space in the object, while direct-path `INSERT` gets new extents for the data.

Space usage characteristics may be different in parallel than sequential execution because multiple concurrent child transactions modify the object.

### Restrictions on Parallel DML

The following restrictions apply to parallel DML (including direct-path `INSERT`):

- Intra-partition parallelism for `UPDATE`, `MERGE`, and `DELETE` operations require that the `COMPATIBLE` initialization parameter be set to 9.2 or greater.
- The `INSERT VALUES` statement is never parallelized.
- A transaction can contain multiple parallel DML statements that modify different tables, but after a parallel DML statement modifies a table, no subsequent serial or parallel statement (DML or query) can access the same table again in that transaction.
  - This restriction also exists after a serial direct-path `INSERT` statement: no subsequent SQL statement (DML or query) can access the modified table during that transaction.
  - Queries that access the same table are allowed before a parallel DML or direct-path `INSERT` statement, but not after.
  - Any serial or parallel statements attempting to access a table that has been modified by a parallel `UPDATE`, `DELETE`, or `MERGE`, or a direct-path `INSERT` during the same transaction are rejected with an error message.
- Parallel DML operations cannot be done on tables with triggers.
- Replication functionality is not supported for parallel DML.
- Parallel DML cannot occur in the presence of certain constraints: self-referential integrity, delete cascade, and deferred integrity. In addition, for direct-path `INSERT`, there is no support for any referential integrity.
- Parallel DML can be done on tables with object columns provided you are not touching the object columns.
- Parallel DML can be done on tables with `LOB` columns provided the table is partitioned. However, intra-partition parallelism is not supported.
- A transaction involved in a parallel DML operation cannot be or become a distributed transaction.
- Clustered tables are not supported.
- Parallel `UPDATE`, `DELETE`, and `MERGE` operations are not supported for temporary tables.

Violations of these restrictions cause the statement to execute serially without warnings or error messages (except for the restriction on statements accessing the same table in a transaction, which can cause error messages). For example, an update is serialized if it is on a nonpartitioned table.

**Partitioning Key Restriction** You can only update the partitioning key of a partitioned table to a new value if the update does not cause the row to move to a new partition. The update is possible if the table is defined with the row movement clause enabled.

**Function Restrictions** The function restrictions for parallel DML are the same as those for parallel DDL and parallel query. See "[About Parallel Execution of Functions](#)" on page 8-38 for more information.

### Data Integrity Restrictions

This section describes the interactions of integrity constraints and parallel DML statements.

**NOT NULL and CHECK** These types of integrity constraints are allowed. They are not a problem for parallel DML because they are enforced on the column and row level, respectively.

**UNIQUE and PRIMARY KEY** These types of integrity constraints are allowed.

**FOREIGN KEY (Referential Integrity)** Restrictions for referential integrity occur whenever a DML operation on one table could cause a recursive DML operation on another table. These restrictions also apply when, to perform an integrity check, it is necessary to see simultaneously all changes made to the object being modified.

[Table 8–1](#) lists all of the operations that are possible on tables that are involved in referential integrity constraints.

**Table 8–1 Referential Integrity Restrictions**

| DML Statement    | Issued on Parent | Issued on Child  | Self-Referential |
|------------------|------------------|------------------|------------------|
| INSERT           | (Not applicable) | Not parallelized | Not parallelized |
| MERGE            | (Not applicable) | Not parallelized | Not parallelized |
| UPDATE No Action | Supported        | Supported        | Not parallelized |
| DELETE No Action | Supported        | Supported        | Not parallelized |
| DELETE Cascade   | Not parallelized | (Not applicable) | Not parallelized |

**Delete Cascade** Delete on tables having a foreign key with delete cascade is not parallelized because parallel execution servers attempts to delete rows from multiple partitions (parent and child tables).

**Self-Referential Integrity** DML on tables with self-referential integrity constraints is not parallelized if the referenced keys (primary keys) are involved. For DML on all other columns, parallelism is possible.

**Deferrable Integrity Constraints** If any deferrable constraints apply to the table being operated on, the DML operation is not parallelized.

### Trigger Restrictions

A DML operation is not parallelized if the affected tables contain enabled triggers that may get fired as a result of the statement. This implies that DML statements on tables that are being replicated are not parallelized.

Relevant triggers must be disabled to parallelize DML on the table. Note that, if you enable or disable triggers, the dependent shared cursors are invalidated.

### Distributed Transaction Restrictions

A DML operation cannot be parallelized if it is in a distributed transaction or if the DML or the query operation is against a remote object.

### Examples of Distributed Transaction Parallelization

This section contains several examples of distributed transaction processing.

#### **Example 8-5 Distributed Transaction Parallelization**

In this example, the DML statement queries a remote object:

```
INSERT /* APPEND PARALLEL (t3,2) */ INTO t3 SELECT * FROM t4@dblink;
```

The query operation is executed serially without notification because it references a remote object.

#### **Example 8-6 Distributed Transaction Parallelization**

In this example, the DML operation is applied to a remote object:

```
DELETE /*+ PARALLEL (t1, 2) */ FROM t1@dblink;
```

The DELETE operation is not parallelized because it references a remote object.

#### **Example 8-7 Distributed Transaction Parallelization**

In this example, the DML operation is in a distributed transaction:

```
SELECT * FROM t1@dblink;  
DELETE /*+ PARALLEL (t2,2) */ FROM t2;  
COMMIT;
```

The DELETE operation is not parallelized because it occurs in a distributed transaction (which is started by the SELECT statement).

## About Parallel Execution of Functions

SQL statements can contain user-defined functions written in PL/SQL, in Java, or as external procedures in C that can appear as part of the SELECT list, SET clause, or WHERE clause. When the SQL statement is parallelized, these functions are executed on a per-row basis by the parallel execution server process. Any PL/SQL package variables or Java static attributes used by the function are entirely private to each individual parallel execution process and are newly initialized when each row is processed, rather than being copied from the original session. Because of this process, not all functions generate correct results if executed in parallel.

User-written table functions can appear in the statement's FROM list. These functions act like source tables in that they output rows. Table functions are initialized once during the statement at the start of each parallel execution process. All variables are entirely private to the parallel execution process.

## Functions in Parallel Queries

In a `SELECT` statement or a subquery in a DML or DDL statement, a user-written function may be executed in parallel if it has been declared with the `PARALLEL_ENABLE` keyword, if it is declared in a package or type and has a `PRAGMA RESTRICT_REFERENCES` that indicates all of `WNDS`, `RNPS`, and `WNPS`, or if it is declared with `CREATE FUNCTION` and the system can analyze the body of the PL/SQL code and determine that the code neither writes to the database nor reads or modifies package variables.

Other parts of a query or subquery can sometimes execute in parallel even if a given function execution must remain serial.

See *Oracle Database Advanced Application Developer's Guide* for information about the `PRAGMA RESTRICT_REFERENCES` and *Oracle Database SQL Language Reference* for information about `CREATE FUNCTION`.

## Functions in Parallel DML and DDL Statements

In a parallel DML or DDL statement, as in a parallel query, a user-written function may be executed in parallel if it has been declared with the `PARALLEL_ENABLE` keyword, if it is declared in a package or type and has a `PRAGMA RESTRICT_REFERENCES` that indicates all of `RNDS`, `WNDS`, `RNPS`, and `WNPS`, or if it is declared with `CREATE FUNCTION` and the system can analyze the body of the PL/SQL code and determine that the code neither reads nor writes to the database or reads nor modifies package variables.

For a parallel DML statement, any function call that cannot be executed in parallel causes the entire DML statement to be executed serially.

For an `INSERT ... SELECT` or `CREATE TABLE ... AS SELECT` statement, function calls in the query portion are parallelized according to the parallel query rules in the previous paragraph. The query may be parallelized even if the remainder of the statement must execute serially, or vice versa.

## About Other Types of Parallelism

In addition to parallel SQL execution, Oracle Database can use parallelism for the following types of operations:

- Parallel recovery
- Parallel propagation (replication)
- Parallel load (external tables and the SQL\*Loader utility)

Like parallel SQL, parallel recovery, propagation, and external table loads are performed by a parallel execution coordinator and multiple parallel execution servers. Parallel load using SQL\*Loader, however, uses a different mechanism.

The behavior of the parallel execution coordinator and parallel execution servers may differ, depending on what kind of operation they perform (SQL, recovery, or propagation). For example, if all parallel execution servers in the pool are occupied and the maximum number of parallel execution servers has been started:

- In parallel SQL and external table loads, the parallel execution coordinator switches to serial processing.
- In parallel propagation, the parallel execution coordinator returns an error.

For a given session, the parallel execution coordinator coordinates only one kind of operation. A parallel execution coordinator cannot coordinate, for example, parallel SQL and parallel recovery or propagation at the same time.

**See Also:**

- *Oracle Database Utilities* for information about parallel load and SQL\*Loader
- *Oracle Database Backup and Recovery User's Guide* for information about parallel media recovery
- *Oracle Database Performance Tuning Guide* for information about parallel instance recovery
- *Oracle Database Advanced Replication* for information about parallel propagation

**Summary of Parallelization Rules**

Table 8–2 shows how various types of SQL statements can be parallelized and indicates which methods of specifying parallelism take precedence.

- The priority (1) specification overrides priority (2) and priority (3).
- The priority (2) specification overrides priority (3).

**Table 8–2 Parallelization Priority Order: By Clause, Hint, or Underlying Table/Index Declaration**

| Parallel Operation  | PARALLEL Hint  | PARALLEL Clause                    | ALTER SESSION                      | Parallel Declaration                         |
|---|--|------------------------------------|------------------------------------|--|
| Parallel query table scan (partitioned or nonpartitioned table)                               | 1) PARALLEL  |                                    | 2) FORCE<br>PARALLEL QUERY         | 3) of table                                  |
| Parallel query index range scan (partitioned index)   | 1) PARALLEL_<br>INDEX  |                                    | 2) FORCE<br>PARALLEL QUERY         | 2) of index                                  |
| Parallel UPDATE or DELETE (partitioned table only)  | 1) PARALLEL  |                                    | 2) FORCE<br>PARALLEL DML           | 3) of table being updated or deleted from    |
| INSERT operation of parallel INSERT... SELECT (partitioned or nonpartitioned table)           | 1) PARALLEL of insert  |                                    | 2) FORCE<br>PARALLEL DML           | 3) of table being inserted into              |
| SELECT operation of INSERT ... SELECT when INSERT is parallel                                 | Takes degree from INSERT statement                                   | Takes degree from INSERT statement | Takes degree from INSERT statement | Takes degree from INSERT statement           |
| SELECT operation of INSERT ... SELECT when INSERT is serial                                   | 1) PARALLEL  |                                    |                                    | 2) of table being selected from              |
| CREATE operation of parallel CREATE TABLE ... AS SELECT (partitioned or nonpartitioned table) | Note: Hint in the SELECT clause does not affect the CREATE operation | 2)                                 | 1) FORCE<br>PARALLEL DDL           |  |
| SELECT operation of CREATE TABLE ... AS SELECT when CREATE is parallel                        | Takes degree from CREATE statement                                   | Takes degree from CREATE statement | Takes degree from CREATE statement | Takes degree from CREATE statement           |
| SELECT operation of CREATE TABLE ... AS SELECT when CREATE is serial                          | 1) PARALLEL or PARALLEL_<br>INDEX                                    |                                    |                                    | 2) of querying tables or partitioned indexes |

**Table 8–2 (Cont.) Parallelization Priority Order: By Clause, Hint, or Underlying Table/Index Declaration**

| Parallel Operation  | PARALLEL Hint | PARALLEL Clause | ALTER SESSION            | Parallel Declaration |
|---|---------------|-----------------|--------------------------|----------------------|
| Parallel CREATE INDEX (partitioned or nonpartitioned index) |               | 2)              | 1) FORCE<br>PARALLEL DDL |                      |
| Parallel REBUILD INDEX (nonpartitioned index)               |               | 2)              | 1) FORCE<br>PARALLEL DDL |                      |
| REBUILD INDEX (partitioned index)—never parallelized        |               |                 |                          |                      |
| Parallel REBUILD INDEX partition                            |               | 2)              | 1) FORCE<br>PARALLEL DDL |                      |
| Parallel MOVE or SPLIT partition                            |               | 2)              | 1) FORCE<br>PARALLEL DDL |                      |

## Initializing and Tuning Parameters for Parallel Execution

Oracle Database computes defaults for the parallel execution parameters based on the value at database startup of CPU\_COUNT and PARALLEL\_THREADS\_PER\_CPU. The parameters can also be manually tuned, increasing or decreasing their values to suit specific system configurations or performance goals. For example:

- On systems where parallel execution is never used, PARALLEL\_MAX\_SERVERS can be set to zero.
- On large systems with abundant SGA memory, PARALLEL\_EXECUTION\_MESSAGE\_SIZE can be increased to improve throughput.

You can also manually tune parallel execution parameters. Parallel execution is enabled by default.

Initializing and tuning parallel execution involves the following steps:

- [Using Default Parameter Settings](#)
- [Balancing the Workload](#)
- [Forcing Parallel Execution for a Session](#)

## Using Default Parameter Settings

By default, Oracle Database automatically sets parallel execution parameters, as shown in [Table 8–3](#).

**Table 8–3 Parameters and Their Defaults**

| Parameter                       | Default   | Comments   |
|---------------------------------|---|--|
| PARALLEL_ADAPTIVE_MULTI_USER    | TRUE  | Causes parallel execution SQL to throttle degree of parallelism (DOP) requests to prevent system overload.   |
| PARALLEL_DEGREE_LIMIT           | CPU_COUNT X PARALLEL_THREADS_PER_CPU X ACTIVE_INSTANCES | Controls the maximum DOP a statement can have when AUTO DOP is in use.   |
| PARALLEL_DEGREE_POLICY          | MANUAL  | Controls whether auto DOP, parallel statement queuing and in-memory parallel execution are used. By default, all of these features are disabled.                                   |
| PARALLEL_EXECUTION_MESSAGE_SIZE | 16 KB   | The size of the buffers used by the parallel execution servers to communicate among themselves and with the query coordinator. These buffers are allocated out of the shared pool. |

**Table 8–3 (Cont.) Parameters and Their Defaults**

| Parameter                   | Default   | Comments  |
|-----------------------------|---|---|
| PARALLEL_FORCE_LOCAL        | FALSE   | Restricts parallel execution to the current Oracle RAC instance.  |
| PARALLEL_MAX_SERVERS        | CPU_COUNT x PARALLEL_THREADS_PER_CPU x (2 if PGA_AGGREGATE_TARGET > 0; otherwise 1) x 5 | Specifies the maximum number of parallel execution processes and parallel recovery processes for an instance. As demand increases, Oracle Database increases the number of processes from the number created at instance startup up to this value.<br><br>If you set this parameter too low, some queries may not have a parallel execution process available to them during query processing. If you set it too high, memory resource shortages may occur during peak periods, which can degrade performance.<br><br>The value of PGA_AGGREGATE_TARGET can be derived when MEMORY_TARGET is set. See <i>Oracle Database Performance Tuning Guide</i> for descriptions of how to use PGA_AGGREGATE_TARGET in different scenarios. |
| PARALLEL_MIN_SERVERS        | 0   | Specifies the number of parallel execution processes to be started and reserved for parallel operations, when Oracle Database is started up. Increasing this setting can help balance the startup cost of a parallel statement, but requires greater memory usage as these parallel execution processes are not removed until the database is shut down.  |
| PARALLEL_MIN_PERCENT        | 0   | Specifies the minimum percentage of requested parallel execution processes required for parallel execution. With the default value of 0, a parallel statement executes serial if no parallel server processes are available.  |
| PARALLEL_MIN_TIME_THRESHOLD | 10 seconds  | The execution time, as estimated by the optimizer, above which a statement is considered for automatic parallel query and automatic derivation of DOP.  |
| PARALLEL_SERVERS_TARGET     | 4 X CPU_COUNT X PARALLEL_THREADS_PER_CPU X ACTIVE_INSTANCE                              | The number of parallel execution server processes available to run queries before parallel statement queuing is used. Note that parallel statement queuing is only active if PARALLEL_DEGREE_POLICY is set to AUTO.   |
| PARALLEL_THREADS_PER_CPU    | 2   | Describes the number of parallel execution processes or threads that a CPU can handle during parallel execution.  |

Note that you can set some parameters in such a way that Oracle Database is constrained. For example, if you set PROCESSES to 20, you are not be able to get 25 slaves.

### Forcing Parallel Execution for a Session

If you are sure you want to execute in parallel and want to avoid setting the DOP for a table or modifying the queries involved, you can force parallelism with the following statement:

```
ALTER SESSION FORCE PARALLEL QUERY;
```

All subsequent queries are executed in parallel provided no restrictions are violated. You can also force DML and DDL statements. This clause overrides any parallel clause specified in subsequent statements in the session, but is overridden by a parallel hint.

In typical OLTP environments, for example, the tables are not set parallel, but nightly batch scripts may want to collect data from these tables in parallel. By setting the DOP in the session, the user avoids altering each table in parallel and then altering it back to serial when finished.

## Tuning General Parameters for Parallel Execution

This section discusses the following topics:



- [Parameters Establishing Resource Limits for Parallel Operations](#)
- [Parameters Affecting Resource Consumption](#)
- [Parameters Related to I/O](#)

## Parameters Establishing Resource Limits for Parallel Operations

You can set initialization parameters to determine resource limits. The parameters that establish resource limits include the following:

- [PARALLEL\\_FORCE\\_LOCAL](#)
- [PARALLEL\\_MAX\\_SERVERS](#)
- [PARALLEL\\_MIN\\_PERCENT](#)
- [PARALLEL\\_MIN\\_SERVERS](#)
- [PARALLEL\\_MIN\\_TIME\\_THRESHOLD](#)
- [PARALLEL\\_SERVERS\\_TARGET](#)
- [SHARED\\_POOL\\_SIZE](#)

### PARALLEL\_FORCE\_LOCAL

This parameter specifies whether a SQL statement executed in parallel is restricted to a single instance in an Oracle RAC environment. By setting this parameter to TRUE, you restrict the scope of the parallel server processed to the single Oracle RAC instance where the query coordinator is running.

The recommended value for the `PARALLEL_FORCE_LOCAL` parameter is FALSE.

### PARALLEL\_MAX\_SERVERS

The default value for `PARALLEL_MAX_SERVERS` is as follows:

```
(CPU_COUNT x PARALLEL_THREADS_PER_CPU x (2 if PGA_AGGREGATE_TARGET > 0; otherwise 1) x 5)
```

The value of `PGA_AGGREGATE_TARGET` can be derived when `MEMORY_TARGET` is set. See *Oracle Database Performance Tuning Guide* for descriptions of how to use `PGA_AGGREGATE_TARGET` in different scenarios. The above formula might not be sufficient for parallel queries on tables with higher degree of parallelism (DOP) attributes. We recommend users who expects to run queries of higher DOP to set `PARALLEL_MAX_SERVERS` as follows:

```
2 x DOP x NUMBER_OF_CONCURRENT_USERS
```

For example, setting `PARALLEL_MAX_SERVERS` to 64 enables you to run four parallel queries simultaneously, if each query is using two slave sets with a DOP of eight for each set.

**When Users Have Too Many Processes** When concurrent users have too many query server processes, memory contention (paging), I/O contention, or excessive context switching can occur. This contention can reduce system throughput to a level lower than if parallel execution were not used. Increase the `PARALLEL_MAX_SERVERS` value only if the system has sufficient memory and I/O bandwidth for the resulting load.

You can use operating system performance monitoring tools to determine how much memory, swap space and I/O bandwidth are free. Look at the run queue lengths for both your CPUs and disks, and the service time for I/Os on the system. Verify that the

system has sufficient swap space to add more processes. Limiting the total number of query server processes might restrict the number of concurrent users who can execute parallel operations, but system throughput tends to remain stable.

**Limiting the Number of Resources for a User using a Consumer Group** You can limit the amount of parallelism available to a given user by establishing a resource consumer group for the user. Do this to limit the number of sessions, concurrent logons, and the number of parallel processes that any one user or group of users can have.

Each query server process working on a parallel execution statement is logged on with a session ID. Each process counts against the user's limit of concurrent sessions. For example, to limit a user to 10 parallel execution processes, set the user's limit to 11. One process is for the parallel coordinator and the other 10 consist of two sets of query server servers. This would allow one session for the parallel coordinator and 10 sessions for the parallel execution processes.

See *Oracle Database Administrator's Guide* for more information about managing resources with user profiles and *Oracle Real Application Clusters Administration and Deployment Guide* for more information about querying GV\$ views.

## PARALLEL\_MIN\_PERCENT

This parameter enables users to wait for an acceptable DOP, depending on the application in use. The recommended value for the `PARALLEL_MIN_PERCENT` parameter is 0 (zero).

Setting this parameter to values other than 0 (zero) causes Oracle Database to return an error when the requested DOP cannot be satisfied by the system at a given time. For example, if you set `PARALLEL_MIN_PERCENT` to 50, which translates to 50 percent, and the DOP is reduced by 50 percent or greater because of the adaptive algorithm or because of a resource limitation, then Oracle Database returns ORA-12827. For example:

```
SELECT /*+ FULL(e) PARALLEL(e, 8) */ d.department_id, SUM(SALARY)
FROM employees e, departments d WHERE e.department_id = d.department_id
GROUP BY d.department_id ORDER BY d.department_id;
```

Oracle Database responds with this message:

```
ORA-12827: insufficient parallel query slaves available
```

## PARALLEL\_MIN\_SERVERS

This parameter specifies the number of processes to be started in a single instance that are reserved for parallel operations. The syntax is:

```
PARALLEL_MIN_SERVERS=n
```

The *n* variable is the number of processes you want to start and reserve for parallel operations.

Setting `PARALLEL_MIN_SERVERS` balances the startup cost against memory usage. Processes started using `PARALLEL_MIN_SERVERS` do not exit until the database is shut down. This way, when a query is issued the processes are likely to be available.

## PARALLEL\_MIN\_TIME\_THRESHOLD

This parameter specifies the minimum execution time a statement should have before the statement is considered for automatic degree of parallelism. By default, this is set to 10 seconds. Automatic degree of parallelism is only enabled if `PARALLEL_DEGREE_POLICY` is set to `AUTO` or `LIMITED`. The syntax is:

```
PARALLEL_MIN_TIME_THRESHOLD = { AUTO | integer }
```

The default is AUTO.

### PARALLEL\_SERVERS\_TARGET

This parameter specifies the number of parallel server processes allowed to run parallel statements before statement queuing is used. The recommended value for PARALLEL\_SERVERS\_TARGET is  $4 \times \text{CPU\_COUNT} \times \text{PARALLEL\_THREADS\_PER\_CPU} \times \text{ACTIVE\_INSTANCES}$ .

When PARALLEL\_DEGREE\_POLICY is set to AUTO, statements that require parallel execution are queued if the number of parallel processes currently in use on the system equals or is greater than PARALLEL\_SERVERS\_TARGET. This is not the maximum number of parallel server processes allowed on a system (that is controlled by PARALLEL\_MAX\_SERVERS). However, PARALLEL\_SERVERS\_TARGET and parallel statement queuing is used to ensure and that each statement that requires parallel execution is allocated the necessary parallel server resources and the system is not flooded with too many parallel server processes.

### SHARED\_POOL\_SIZE

Parallel execution requires memory resources in addition to those required by serial SQL execution. Additional memory is used for communication and passing data between query server processes and the query coordinator.

Oracle Database allocates memory for query server processes from the shared pool. Tune the shared pool as follows:

- Allow for other clients of the shared pool, such as shared cursors and stored procedures.
- Remember that larger values improve performance in multiuser systems, but smaller values use less memory.
- You can then monitor the number of buffers used by parallel execution and compare the `shared pool PX msg pool` to the current high water mark reported in output from the view `V$PX_PROCESS_SYSSTAT`.

---



---

**Note:** If you do not have enough memory available, error message 12853 occurs (insufficient memory for PX buffers: current *stringK*, max needed *stringK*). This is caused by having insufficient SGA memory available for PX buffers. You must reconfigure the SGA to have at least  $(\text{MAX} - \text{CURRENT})$  bytes of additional memory.

---



---

By default, Oracle Database allocates parallel execution buffers from the shared pool.

If Oracle Database displays the following error on startup:

```
ORA-27102: out of memory
SVR4 Error: 12: Not enough space
```

You should reduce the value for SHARED\_POOL\_SIZE low enough so your database starts. After reducing the value of SHARED\_POOL\_SIZE, you might see the error:

```
ORA-04031: unable to allocate 16084 bytes of shared memory
("SHARED pool", "unknown object", "SHARED pool heap", "PX msg pool")
```

If so, execute the following query to determine why Oracle Database could not allocate the 16,084 bytes:

```
SELECT NAME, SUM(BYTES) FROM V$SGASTAT WHERE POOL='SHARED POOL'
GROUP BY ROLLUP (NAME);
```

Your output should resemble the following:

| NAME        | SUM(BYTES) |
|-------------|------------|
| PX msg pool | 1474572    |
| free memory | 562132     |
|             | 2036704    |

If you specify `SHARED_POOL_SIZE` and the amount of memory you specify to reserve is bigger than the pool, Oracle Database does not allocate all the memory it can get. Instead, it leaves some space. When the query runs, Oracle Database tries to get what it needs. Oracle Database uses the 560 KB and needs another 16KB when it fails. The error does not report the cumulative amount that is needed. The best way of determining how much more memory is needed is to use the formulas in ["Adding Memory for Message Buffers"](#) on page 8-46.

To resolve the problem in the current example, increase the value for `SHARED_POOL_SIZE`. As shown in the sample output, the `SHARED_POOL_SIZE` is about 2 MB. Depending on the amount of memory available, you could increase the value of `SHARED_POOL_SIZE` to 4 MB and attempt to start your database. If Oracle Database continues to display an `ORA-4031` message, gradually increase the value for `SHARED_POOL_SIZE` until startup is successful.

### Computing Additional Memory Requirements for Message Buffers

After you determine the initial setting for the shared pool, you must calculate additional memory requirements for message buffers and determine how much additional space you need for cursors.

**Adding Memory for Message Buffers** You must increase the value for the `SHARED_POOL_SIZE` parameter to accommodate message buffers. The message buffers allow query server processes to communicate with each other.

Oracle Database uses a fixed number of buffers for each virtual connection between producer query servers and consumer query servers. Connections increase as the square of the DOP increases. For this reason, the maximum amount of memory used by parallel execution is bound by the highest DOP allowed on your system. You can control this value by using either the `PARALLEL_MAX_SERVERS` parameter or by using policies and profiles.

To calculate the amount of memory required, use one of the following formulas:

- For SMP systems:
 
$$\text{mem in bytes} = (3 \times \text{size} \times \text{users} \times \text{groups} \times \text{connections})$$
- For SMP Real Application Clusters and MPP systems:
 
$$\text{mem in bytes} = ((3 \times \text{local}) + (2 \times \text{remote})) \times (\text{size} \times \text{users} \times \text{groups}) / \text{instances}$$

Each instance uses the memory computed by the formula.

The terms are:

- `SIZE` = `PARALLEL_EXECUTION_MESSAGE_SIZE`
- `USERS` = the number of concurrent parallel execution users that you expect to have running with the optimal DOP

- `GROUPS` = the number of query server process groups used for each query  
 A simple SQL statement requires only one group. However, if your queries involve subqueries which are processed in parallel, then Oracle Database uses an additional group of query server processes.
- `CONNECTIONS` =  $(DOP^2 + 2 \times DOP)$   
 If your system is a cluster or MPP, then you should account for the number of instances because this increases the DOP. In other words, using a DOP of 4 on a two instance cluster results in a DOP of 8. A value of `PARALLEL_MAX_SERVERS` times the number of instances divided by four is a conservative estimate to use as a starting point.
- `LOCAL` = `CONNECTIONS/INSTANCES`
- `REMOTE` = `CONNECTIONS - LOCAL`

Add this amount to your original setting for the shared pool. However, before setting a value for either of these memory structures, you must also consider additional memory for cursors, as explained in the following section.

**Calculating Additional Memory for Cursors** Parallel execution plans consume more space in the SQL area than serial execution plans. You should regularly monitor shared pool resource use to ensure that the memory used by both messages and cursors can accommodate your system's processing requirements.

### Adjusting Memory After Processing Begins

The formulas in this section are just starting points. Whether you are using automated or manual tuning, you should monitor usage on an on-going basis to ensure the size of memory is not too large or too small. To ensure the correct memory size, tune the shared pool using the following query:

```
SELECT POOL, NAME, SUM(BYTES) FROM V$SGASTAT WHERE POOL LIKE '%pool%'
      GROUP BY ROLLUP (POOL, NAME);
```

Your output should resemble the following:

| POOL        | NAME                      | SUM(BYTES) |
|-------------|---------------------------|------------|
| shared pool | Checkpoint queue          | 38496      |
| shared pool | KGFF heap                 | 1964       |
| shared pool | KGK heap                  | 4372       |
| shared pool | KQLS heap                 | 1134432    |
| shared pool | LRMPD SGA Table           | 23856      |
| shared pool | PLS non-lib hp            | 2096       |
| shared pool | PX subheap                | 186828     |
| shared pool | SYSTEM PARAMETERS         | 55756      |
| shared pool | State objects             | 3907808    |
| shared pool | character set memory      | 30260      |
| shared pool | db_block_buffers          | 200000     |
| shared pool | db_block_hash_buckets     | 33132      |
| shared pool | db_files                  | 122984     |
| shared pool | db_handles                | 52416      |
| shared pool | dictionary cache          | 198216     |
| shared pool | d1m shared memory         | 5387924    |
| shared pool | event statistics per sess | 264768     |
| shared pool | fixed allocation callback | 1376       |
| shared pool | free memory               | 26329104   |
| shared pool | gc_*                      | 64000      |
| shared pool | latch nowait fails or sle | 34944      |

|                                       |          |
|---------------------------------------|----------|
| shared pool library cache             | 2176808  |
| shared pool log_buffer                | 24576    |
| shared pool log_checkpoint_timeout    | 24700    |
| shared pool long op statistics array  | 30240    |
| shared pool message pool freequeue    | 116232   |
| shared pool miscellaneous             | 267624   |
| shared pool processes                 | 76896    |
| shared pool session param values      | 41424    |
| shared pool sessions                  | 170016   |
| shared pool sql area                  | 9549116  |
| shared pool table columns             | 148104   |
| shared pool trace_buffers_per_process | 1476320  |
| shared pool transactions              | 18480    |
| shared pool trigger inform            | 24684    |
| shared pool                           | 52248968 |
|                                       | 90641768 |

Evaluate the memory used as shown in your output, and alter the setting for SHARED\_POOL\_SIZE based on your processing needs.

To obtain more memory usage statistics, execute the following query:

```
SELECT * FROM V$PX_PROCESS_SYSSTAT WHERE STATISTIC LIKE 'Buffers%';
```

Your output should resemble the following:

| STATISTIC         | VALUE |
|-------------------|-------|
| -----             | ----- |
| Buffers Allocated | 23225 |
| Buffers Freed     | 23225 |
| Buffers Current   | 0     |
| Buffers HWM       | 3620  |

The amount of memory used appears in the `Buffers Current` and `Buffers HWM` statistics. Calculate a value in bytes by multiplying the number of buffers by the value for `PARALLEL_EXECUTION_MESSAGE_SIZE`. Compare the high water mark to the parallel execution message pool size to determine if you allocated too much memory. For example, in the first output, the value for large pool as shown in `px msg pool` is 38,092,812 or 38 MB. The `Buffers HWM` from the second output is 3,620, which when multiplied by a parallel execution message size of 4,096 is 14,827,520, or approximately 15 MB. In this case, the high water mark has reached approximately 40 percent of its capacity.

## Parameters Affecting Resource Consumption

Before considering the following section, you should read the descriptions of the `MEMORY_TARGET` and `MEMORY_MAX_TARGET` initialization parameters in *Oracle Database Performance Tuning Guide* and *Oracle Database Administrator's Guide* for details. The `PGA_AGGREGATE_TARGET` initialization parameter need not be set as `MEMORY_TARGET` autotunes the SGA and PGA components.

The first group of parameters discussed in this section affects memory and resource consumption for all parallel operations, in particular, for parallel execution. These parameters are:

- [PGA\\_AGGREGATE\\_TARGET](#)
- [PARALLEL\\_EXECUTION\\_MESSAGE\\_SIZE](#)

A second subset of parameters discussed in this section explains parameters affecting parallel DML and DDL.

To control resource consumption, you should configure memory at two levels:

- At the database level, so the system uses an appropriate amount of memory from the operating system.
- At the operating system level for consistency. On some platforms, you might need to set operating system parameters that control the total amount of virtual memory available, summed across all processes.

A large percentage of the memory used in data warehousing operations (compared to OLTP) is more dynamic. This memory comes from process memory (PGA), and both the size of process memory and the number of processes can vary greatly. Use the `PGA_AGGREGATE_TARGET` initialization parameter to control both the process memory and the number of processes in such cases. Explicitly setting `PGA_AGGREGATE_TARGET` along with `MEMORY_TARGET` ensures that autotuning still occurs but `PGA_AGGREGATE_TARGET` is not tuned below the specified value.

### **PGA\_AGGREGATE\_TARGET**

You can simplify and improve the way PGA memory is allocated by enabling automatic PGA memory management. In this mode, Oracle Database dynamically adjusts the size of the portion of the PGA memory dedicated to work areas, based on an overall PGA memory target explicitly set by the DBA. To enable automatic PGA memory management, you must set the initialization parameter `PGA_AGGREGATE_TARGET`. For new installations, `PGA_AGGREGATE_TARGET` and `SGA_TARGET` are set automatically by DBCA, and `MEMORY_TARGET` is zero. That is, automatic memory management is disabled. You can enable it in Enterprise Manager on the Memory Parameters page. Therefore, automatic tuning of the aggregate PGA is enabled by default. However, the aggregate PGA does not grow unless you enable automatic memory management by setting `MEMORY_TARGET` to a nonzero value.

See *Oracle Database Performance Tuning Guide* for descriptions of how to use `PGA_AGGREGATE_TARGET` in different scenarios.

**HASH\_AREA\_SIZE** `HASH_AREA_SIZE` has been deprecated and you should use `PGA_AGGREGATE_TARGET` instead.

**SORT\_AREA\_SIZE** `SORT_AREA_SIZE` has been deprecated and you should use `PGA_AGGREGATE_TARGET` instead.

### **PARALLEL\_EXECUTION\_MESSAGE\_SIZE**

The `PARALLEL_EXECUTION_MESSAGE_SIZE` parameter specifies the size of the buffer used for parallel execution messages. The default value is operating system-specific, but is typically 16K. This value should be adequate for most applications.

### **Parameters Affecting Resource Consumption for Parallel DML and Parallel DDL**

The parameters that affect parallel DML and parallel DDL resource consumption are:

- [TRANSACTIONS](#)
- [FAST\\_START\\_PARALLEL\\_ROLLBACK](#)
- [DML\\_LOCKS](#)

Parallel inserts, updates, and deletes require more resources than serial DML operations. Similarly, `PARALLEL CREATE TABLE ... AS SELECT` and `PARALLEL CREATE INDEX` can require more resources. For this reason, you may need to increase

the value of several additional initialization parameters. These parameters do *not* affect resources for queries.

**TRANSACTIONS** For parallel DML and DDL, each query server process starts a transaction. The parallel coordinator uses the two-phase commit protocol to commit transactions; therefore, the number of transactions being processed increases by the DOP. Consequently, you might need to increase the value of the `TRANSACTIONS` initialization parameter.

The `TRANSACTIONS` parameter specifies the maximum number of concurrent transactions. The default assumes no parallelism. For example, if you have a DOP of 20, you have 20 more new server transactions (or 40, if you have two server sets) and 1 coordinator transaction. In this case, you should increase `TRANSACTIONS` by 21 (or 41) if the transactions are running in the same instance. If you do not set this parameter, Oracle Database sets it to a value equal to  $1.1 \times \text{SESSIONS}$ . This discussion does not apply if you are using server-managed undo.

**FAST\_START\_PARALLEL\_ROLLBACK** If a system fails when there are uncommitted parallel DML or DDL transactions, you can speed up transaction recovery during startup by using the `FAST_START_PARALLEL_ROLLBACK` parameter.

This parameter controls the DOP used when recovering terminated transactions. Terminated transactions are transactions that are active before a system failure. By default, the DOP is chosen to be at most two times the value of the `CPU_COUNT` parameter.

If the default DOP is insufficient, set the parameter to the `HIGH`. This gives a maximum DOP of at most four times the value of the `CPU_COUNT` parameter. This feature is available by default.

**DML\_LOCKS** This parameter specifies the maximum number of DML locks. Its value should equal the total number of locks on all tables referenced by all users. A parallel DML operation's lock requirement is very different from serial DML. Parallel DML holds many more locks, so you should increase the value of the `DML_LOCKS` parameter by equal amounts.

---



---

**Note:** Parallel DML operations are not performed when the table lock of the target table is disabled.

---



---

Table 8–4 shows the types of locks acquired by coordinator and parallel execution server processes for different types of parallel DML statements. Using this information, you can determine the value required for these parameters.

**Table 8–4 Locks Acquired by Parallel DML Statements**

| Type of Statement   | Coordinator Process Acquires:  | Each Parallel Execution Server Acquires:  |
|---|--|---|
| Parallel <code>UPDATE</code> or <code>DELETE</code> into partitioned table; <code>WHERE</code> clause pruned to a subset of partitions or subpartitions | 1 table lock SX<br>1 partition lock X for each pruned (sub)partition | 1 table lock SX<br>1 partition lock NULL for each pruned (sub)partition owned by the query server process<br>1 partition-wait lock S for each pruned (sub)partition owned by the query server process |



**Table 8–4 (Cont.) Locks Acquired by Parallel DML Statements**

| Type of Statement  | Coordinator Process Acquires:   | Each Parallel Execution Server Acquires:  |
|--|---|---|
| Parallel row-migrating UPDATE into partitioned table; WHERE clause pruned to a subset of sub(partition)s | 1 table lock SX<br>1 partition X lock for each pruned (sub)partition<br>1 partition lock SX for all other (sub)partitions | 1 table lock SX<br>1 partition lock NULL for each pruned (sub)partition owned by the query server process<br>1 partition-wait lock S for each pruned partition owned by the query server process<br>1 partition lock SX for all other (sub)partitions |
| Parallel UPDATE, MERGE, DELETE, or INSERT into partitioned table   | 1 table lock SX<br>Partition locks X for all (sub)partitions  | 1 table lock SX<br>1 partition lock NULL for each (sub)partition<br>1 partition-wait lock S for each (sub)partition   |
| Parallel INSERT into partitioned table; destination table with partition or subpartition clause          | 1 table lock SX<br>1 partition lock X for each specified (sub)partition   | 1 table lock SX<br>1 partition lock NULL for each specified (sub)partition<br>1 partition-wait lock S for each specified (sub)partition   |
| Parallel INSERT into nonpartitioned table  | 1 table lock X  | None  |

---



---

**Note:** Table, partition, and partition-wait DML locks all appear as TM locks in the V\$LOCK view.

---



---

Consider a table with 600 partitions running with a DOP of 100. Assume all partitions are involved in a parallel UPDATE or DELETE statement with no row-migrations.

The coordinator acquires:

- 1 table lock SX
- 600 partition locks X

Total server processes acquires:

- 100 table locks SX
- 600 partition locks NULL
- 600 partition-wait locks S

## Parameters Related to I/O

The parameters that affect I/O are:

- [DB\\_CACHE\\_SIZE](#)
- [DB\\_BLOCK\\_SIZE](#)
- [DB\\_FILE\\_MULTIBLOCK\\_READ\\_COUNT](#)
- [DISK\\_ASYNC\\_IO](#) and [TAPE\\_ASYNC\\_IO](#)

These parameters also affect the optimizer, which ensures optimal performance for parallel execution I/O operations.

**DB\_CACHE\_SIZE**

When you perform parallel updates, merges, and deletes, the buffer cache behavior is very similar to any OLTP system running a high volume of updates.

**DB\_BLOCK\_SIZE**

The recommended value for this parameter is 8 KB or 16 KB.

Set the database block size when you create the database. If you are creating a new database, use a large block size such as 8 KB or 16 KB.

**DB\_FILE\_MULTIBLOCK\_READ\_COUNT**

This parameter determines how many database blocks are read with a single operating system READ call. In this release, the default value of this parameter is a value that corresponds to the maximum I/O size that can be performed efficiently. This value is platform-dependent and is 1MP for most platforms. If you set DB\_FILE\_MULTIBLOCK\_READ\_COUNT to an excessively high value, your operating system lowers the value to the highest allowable level when you start your database.

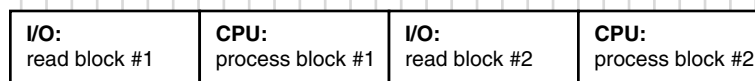
**DISK\_ASYNC\_IO and TAPE\_ASYNC\_IO**

The recommended value for both of these parameters is TRUE.

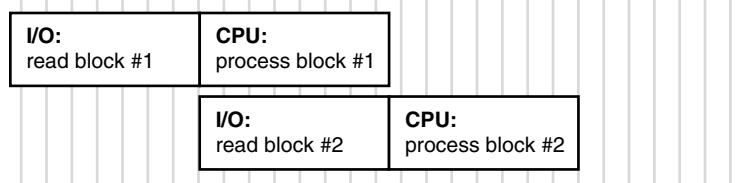
These parameters enable or disable the operating system's asynchronous I/O facility. They allow query server processes to overlap I/O requests with processing when performing table scans. If the operating system supports asynchronous I/O, leave these parameters at the default value of TRUE. Figure 8-6 illustrates how asynchronous read works.

**Figure 8-6 Asynchronous Read**

**Synchronous read**



**Asynchronous read**



Asynchronous operations are currently supported for parallel table scans, hash joins, sorts, and serial table scans. However, this feature can require operating system specific configuration and may not be supported on all platforms.

## Monitoring Parallel Execution Performance

You should perform the following types of monitoring when trying to diagnose parallel execution performance problems:

- [Monitoring Parallel Execution Performance with Dynamic Performance Views](#)
- [Monitoring Session Statistics](#)
- [Monitoring System Statistics](#)
- [Monitoring Operating System Statistics](#)

### Monitoring Parallel Execution Performance with Dynamic Performance Views

Oracle's real-time monitoring feature enables you to monitor the performance of SQL statements while they are executing. SQL monitoring is automatically started when a SQL statement runs parallel or when it has consumed at least five seconds of CPU or I/O time for a single execution. See *Oracle Database Performance Tuning Guide* for more details.

After your system has run for a few days, you should monitor parallel execution performance statistics to determine whether your parallel processing is optimal. Do this using any of the views discussed in this section.

In Oracle Real Application Clusters, global versions of the views described in this section aggregate statistics from multiple instances. The global views have names beginning with G, such as GV\$FILESTAT for V\$FILESTAT, and so on.

#### V\$PX\_BUFFER\_ADVICE

The V\$PX\_BUFFER\_ADVICE view provides statistics on historical and projected maximum buffer usage by all parallel queries. You can consult this view to reconfigure SGA size in response to insufficient memory problems for parallel queries.

#### V\$PX\_SESSION

The V\$PX\_SESSION view shows data about query server sessions, groups, sets, and server numbers. It also displays real-time data about the processes working on behalf of parallel execution. This table includes information about the requested degree of parallelism (DOP) and the actual DOP granted to the operation.

#### V\$PX\_SESSTAT

The V\$PX\_SESSTAT view provides a join of the session information from V\$PX\_SESSION and the V\$SESSTAT table. Thus, all session statistics available to a normal session are available for all sessions performed using parallel execution.

#### V\$PX\_PROCESS

The V\$PX\_PROCESS view contains information about the parallel processes, including status, session ID, process ID, and other information.

#### V\$PX\_PROCESS\_SYSSTAT

The V\$PX\_PROCESS\_SYSSTAT view shows the status of query servers and provides buffer allocation statistics.

## V\$PQ\_SESSTAT

The V\$PQ\_SESSTAT view shows the status of all current server groups in the system such as data about how queries allocate processes and how the multiuser and load balancing algorithms are affecting the default and hinted values.

You might need to adjust some parameter settings to improve performance after reviewing data from these views. In this case, refer to the discussion of "[Tuning General Parameters for Parallel Execution](#)" on page 8-42. Query these views periodically to monitor the progress of long-running parallel operations.

For many dynamic performance views, you must set the parameter TIMED\_STATISTICS to TRUE in order for Oracle Database to collect statistics for each view. You can use the ALTER SYSTEM or ALTER SESSION statements to turn TIMED\_STATISTICS on and off.

## V\$PQ\_TQSTAT

As a simple example, consider a hash join between two tables, with a join on a column with only two distinct values. At best, this hash function has one hash value to parallel execution server A and the other to parallel execution server B. A DOP of two is fine, but, if it is four, then at least two parallel execution servers have no work. To discover this type of skew, use a query similar to the following example:

```
SELECT dfo_number, tq_id, server_type, process, num_rows
FROM V$PQ_TQSTAT ORDER BY dfo_number DESC, tq_id, server_type, process;
```

The best way to resolve this problem might be to choose a different join method; a nested loop join might be the best option. Alternatively, if one join table is small relative to the other, a BROADCAST distribution method can be hinted using PQ\_DISTRIBUTE hint. Note that the optimizer considers the BROADCAST distribution method, but requires OPTIMIZER\_FEATURES\_ENABLE set to 9.0.2 or higher.

Now, assume that you have a join key with high cardinality, but one value contains most of the data, for example, lava lamp sales by year. The only year that had big sales was 1968, and the parallel execution server for the 1968 records is overwhelmed. You should use the same corrective actions as described previously.

The V\$PQ\_TQSTAT view provides a detailed report of message traffic at the table queue level. V\$PQ\_TQSTAT data is valid only when queried from a session that is executing parallel SQL statements. A table queue is the pipeline between query server groups, between the parallel coordinator and a query server group, or between a query server group and the coordinator. The table queues are represented explicitly in the operation column by PX SEND <partitioning type> (for example, PX SEND HASH) and PX RECEIVE. For backward compatibility, the row labels of PARALLEL\_TO\_PARALLEL, SERIAL\_TO\_PARALLEL, or PARALLEL\_TO\_SERIAL continue to have the same semantics as previous releases and can be used as before to deduce the table queue allocation. In addition, the top of the parallel plan is marked by a new node with operation PX COORDINATOR.

V\$PQ\_TQSTAT has a row for each query server process that reads from or writes to in each table queue. A table queue connecting 10 consumer processes to 10 producer processes has 20 rows in the view. Sum the bytes column and group by TQ\_ID, the table queue identifier, to obtain the total number of bytes sent through each table queue. Compare this with the optimizer estimates; large variations might indicate a need to analyze the data using a larger sample.

Compute the variance of bytes grouped by TQ\_ID. Large variances indicate workload imbalances. You should investigate large variances to determine whether the producers start out with unequal distributions of data, or whether the distribution

itself is skewed. If the data itself is skewed, this might indicate a low cardinality, or low number of distinct values.

### V\$RSRC\_CONS\_GROUP\_HISTORY

The V\$RSRC\_CONS\_GROUP\_HISTORY view displays a history of consumer group statistics for each entry in V\$RSRC\_PLAN\_HISTORY that has a non-NULL plan, including information about parallel statement queuing.

### V\$RSRC\_CONSUMER\_GROUP

The V\$RSRC\_CONSUMER\_GROUP view displays data related to currently active resource consumer groups, including information about parallel statements.

### V\$RSRC\_PLAN

The V\$RSRC\_PLAN view displays the names of all currently active resource plans, including the state of parallel statement queuing.

### V\$RSRC\_PLAN\_HISTORY

The V\$RSRC\_PLAN\_HISTORY displays a history of when a resource plan was enabled, disabled, or modified on the instance. The history includes the state of parallel statement queuing.

### V\$RSRC\_SESSION\_INFO

The V\$RSRC\_SESSION\_INFO view displays Resource Manager statistics per session, including parallel statement queue statistics.

## Monitoring Session Statistics

These examples use the dynamic performance views described in "[Monitoring Parallel Execution Performance with Dynamic Performance Views](#)" on page 8-53.

Use GV\$PX\_SESSION to determine the configuration of the server group executing in parallel. In this example, sessions 9 is the query coordinator, while sessions 7 and 21 are in the first group, first set. Sessions 18 and 20 are in the first group, second set. The requested and granted DOP for this query is 2, as shown by the output from the following query:

```
SELECT QCSID, SID, INST_ID "Inst", SERVER_GROUP "Group", SERVER_SET "Set",
       DEGREE "Degree", REQ_DEGREE "Req Degree"
FROM GV$PX_SESSION ORDER BY QCSID, QCINST_ID, SERVER_GROUP, SERVER_SET;
```

Your output should resemble the following:

| QCSID | SID | Inst | Group | Set | Degree | Req Degree |
|-------|-----|------|-------|-----|--------|------------|
| 9     | 9   | 1    |       |     |        |            |
| 9     | 7   | 1    | 1     | 1   | 1      | 2          |
| 9     | 21  | 1    | 1     | 1   | 1      | 2          |
| 9     | 18  | 1    | 1     | 1   | 2      | 2          |
| 9     | 20  | 1    | 1     | 1   | 2      | 2          |

For a single instance, use SELECT FROM V\$PX\_SESSION and do not include the column name Instance ID.

The processes shown in the output from the previous example using GV\$PX\_SESSION collaborate to complete the same task. The next example shows the

execution of a join query to determine the progress of these processes in terms of physical reads. Use this query to track any specific statistic:

```
SELECT QCSID, SID, INST_ID "Inst", SERVER_GROUP "Group", SERVER_SET "Set",
       NAME "Stat Name", VALUE
FROM GV$PX_SESSTAT A, V$STATNAME B
WHERE A.STATISTIC# = B.STATISTIC# AND NAME LIKE 'PHYSICAL READS'
      AND VALUE > 0 ORDER BY QCSID, QCINST_ID, SERVER_GROUP, SERVER_SET;
```

Your output should resemble the following:

| QCSID | SID | Inst | Group | Set | Stat Name        | VALUE |
|-------|-----|------|-------|-----|------------------|-------|
| 9     | 9   | 1    |       |     | physical reads   | 3863  |
| 9     | 7   | 1    | 1     |     | 1 physical reads | 2     |
| 9     | 21  | 1    | 1     |     | 1 physical reads | 2     |
| 9     | 18  | 1    | 1     |     | 2 physical reads | 2     |
| 9     | 20  | 1    | 1     |     | 2 physical reads | 2     |

Use the previous type of query to track statistics in V\$STATNAME. Repeat this query as often as required to observe the progress of the query server processes.

The next query uses V\$PX\_PROCESS to check the status of the query servers.

```
SELECT * FROM V$PX_PROCESS;
```

Your output should resemble the following:

| SERV | STATUS    | PID | SPID | SID   | SERIAL  |
|------|-----------|-----|------|-------|---------|
| P002 | IN USE    |     | 16   | 16955 | 21 7729 |
| P003 | IN USE    |     | 17   | 16957 | 20 2921 |
| P004 | AVAILABLE |     | 18   | 16959 |         |
| P005 | AVAILABLE |     | 19   | 16962 |         |
| P000 | IN USE    |     | 12   | 6999  | 18 4720 |
| P001 | IN USE    |     | 13   | 7004  | 7 234   |

## Monitoring System Statistics

The V\$SYSSTAT and V\$SESSTAT views contain several statistics for monitoring parallel execution. Use these statistics to track the number of parallel queries, DMLs, DDLs, data flow operators (DFOs), and operations. Each query, DML, or DDL can have multiple parallel operations and multiple DFOs.

In addition, statistics also count the number of query operations for which the DOP was reduced, or downgraded, due to either the adaptive multiuser algorithm or the depletion of available parallel execution servers.

Finally, statistics in these views also count the number of messages sent on behalf of parallel execution. The following syntax is an example of how to display these statistics:

```
SELECT NAME, VALUE FROM GV$SYSSTAT
WHERE UPPER (NAME) LIKE '%PARALLEL OPERATIONS%'
OR UPPER (NAME) LIKE '%PARALLELIZED%' OR UPPER (NAME) LIKE '%PX%';
```

Your output should resemble the following:

| NAME                        | VALUE |
|-----------------------------|-------|
| queries parallelized        | 347   |
| DML statements parallelized | 0     |

|   |       |
|---|-------|
| DDL statements parallelized                 | 0     |
| DFO trees parallelized                      | 463   |
| Parallel operations not downgraded          | 28    |
| Parallel operations downgraded to serial    | 31    |
| Parallel operations downgraded 75 to 99 pct | 252   |
| Parallel operations downgraded 50 to 75 pct | 128   |
| Parallel operations downgraded 25 to 50 pct | 43    |
| Parallel operations downgraded 1 to 25 pct  | 12    |
| PX local messages sent                      | 74548 |
| PX local messages recv'd                    | 74128 |
| PX remote messages sent                     | 0     |
| PX remote messages recv'd                   | 0     |

The following query shows the current wait state of each slave and query coordinator process on the system:

```
SELECT px.SID "SID", p.PID, p.SPID "SPID", px.INST_ID "Inst",
       px.SERVER_GROUP "Group", px.SERVER_SET "Set",
       px.DEGREE "Degree", px.REQ_DEGREE "Req Degree", w.event "Wait Event"
FROM GV$SESSION s, GV$PX_SESSION px, GV$PROCESS p, GV$SESSION_WAIT w
WHERE s.sid (+) = px.sid AND s.inst_id (+) = px.inst_id AND
      s.sid = w.sid (+) AND s.inst_id = w.inst_id (+) AND
      s.paddr = p.addr (+) AND s.inst_id = p.inst_id (+)
ORDER BY DECODE(px.QCINST_ID, NULL, px.INST_ID, px.QCINST_ID), px.QCSID,
         DECODE(px.SERVER_GROUP, NULL, 0, px.SERVER_GROUP), px.SERVER_SET, px.INST_ID;
```

## Monitoring Operating System Statistics

There is considerable overlap between information available in Oracle Database and information available through operating system utilities (such as `sar` and `vmstat` on UNIX-based systems). Operating systems provide performance statistics on I/O, communication, CPU, memory and paging, scheduling, and synchronization primitives. The `V$SESSTAT` view provides the major categories of operating system statistics as well.

Typically, operating system information about I/O devices and semaphore operations is harder to map back to database objects and operations than is Oracle Database information. However, some operating systems have good visualization tools and efficient means of collecting the data.

Operating system information about CPU and memory usage is very important for assessing performance. Probably the most important statistic is CPU usage. The goal of low-level performance tuning is to become CPU bound on all CPUs. After this is achieved, you can work at the SQL level to find an alternate plan that might be more I/O intensive but use less CPU.

Operating system memory and paging information is valuable for fine tuning the many system parameters that control how memory is divided among memory-intensive data warehouse subsystems like parallel communication, sort, and hash join.

## Miscellaneous Parallel Execution Tuning Tips

This section contains some ideas for improving performance in a parallel execution environment and includes the following topics:

- [Creating and Populating Tables in Parallel](#)
- [Using EXPLAIN PLAN to Show Parallel Operations Plans](#)

- [Additional Considerations for Parallel DML](#)
- [Creating Indexes in Parallel](#)
- [Parallel DML Tips](#)
- [Incremental Data Loading in Parallel](#)

## Creating and Populating Tables in Parallel

Oracle Database cannot return results to a user process in parallel. If a query returns a large number of rows, execution of the query might indeed be faster. However, the user process can only receive the rows serially. To optimize parallel execution performance for queries that retrieve large result sets, use `PARALLEL CREATE TABLE ... AS SELECT` or direct-path `INSERT` to store the result set in the database. At a later time, users can view the result set serially.

Performing the `SELECT` in parallel does not influence the `CREATE` statement. If the `CREATE` is parallel, however, the optimizer tries to make the `SELECT` run in parallel also.

When combined with the `NOLOGGING` option, the parallel version of `CREATE TABLE ... AS SELECT` provides a very efficient intermediate table facility, for example:

```
CREATE TABLE summary PARALLEL NOLOGGING AS SELECT dim_1, dim_2 ...,
SUM (meas_1)
FROM facts GROUP BY dim_1, dim_2;
```

These tables can also be incrementally loaded with parallel `INSERT`. You can take advantage of intermediate tables using the following techniques:

- Common subqueries can be computed once and referenced many times. This can allow some queries against star schemas (in particular, queries without selective `WHERE`-clause predicates) to be better parallelized. Note that star queries with selective `WHERE`-clause predicates using the star-transformation technique can be effectively parallelized automatically without any modification to the SQL.
- Decompose complex queries into simpler steps to provide application-level checkpoint or restart. For example, a complex multitable join on a one terabyte database could run for dozens of hours. A failure during this query would mean starting over from the beginning. Using `CREATE TABLE ... AS SELECT` or `PARALLEL INSERT AS SELECT`, you can rewrite the query as a sequence of simpler queries that run for a few hours each. If a system failure occurs, the query can be restarted from the last completed step.
- Implement manual parallel deletes efficiently by creating a new table that omits the unwanted rows from the original table, and then dropping the original table. Alternatively, you can use the convenient parallel delete feature, which directly deletes rows from the original table.
- Create summary tables for efficient multidimensional drill-down analysis. For example, a summary table might store the sum of revenue grouped by month, brand, region, and salesman.
- Reorganize tables, eliminating chained rows, compressing free space, and so on, by copying the old table to a new table. This is much faster than export/import and easier than reloading.

Be sure to use the `DBMS_STATS` package to gather optimizer statistics on newly created tables. To avoid I/O bottlenecks, specify a tablespace that is striped across at least as many physical disks as CPUs. To avoid fragmentation in allocating space, the



number of files in a tablespace should be a multiple of the number of CPUs. See *Oracle Database Data Warehousing Guide*, for more information about bottlenecks.

## Using EXPLAIN PLAN to Show Parallel Operations Plans

Use the EXPLAIN PLAN statement to see the execution plans for parallel queries. EXPLAIN PLAN output shows optimizer information in the COST, BYTES, and CARDINALITY columns. You can also use the `utlxp1p.sql` script to present the EXPLAIN PLAN output with all relevant parallel information.

There are several ways to optimize the parallel execution of join statements. You can alter system configuration, adjust parameters as discussed earlier in this chapter, or use hints, such as the DISTRIBUTION hint.

The key points when using EXPLAIN PLAN are to:

- Verify optimizer selectivity estimates. If the optimizer thinks that only one row is produced from a query, it tends to favor using a nested loop. This could be an indication that the tables are not analyzed or that the optimizer has made an incorrect estimate about the correlation of multiple predicates on the same table. Extended statistics or a hint may be required to provide the optimizer with the correct selectivity or to force the optimizer to use another join method.
- Use hash join on low cardinality join keys. If a join key has few distinct values, then a hash join may not be optimal. If the number of distinct values is less than the degree of parallelism (DOP), then some parallel query servers may be unable to work on the particular query.
- Consider data skew. If a join key involves excessive data skew, a hash join may require some parallel query servers to work more than others. Consider using a hint to cause a BROADCAST distribution method if the optimizer did not choose it. Note that the optimizer considers the BROADCAST distribution method only if the OPTIMIZER\_FEATURES\_ENABLE is set to 9.0.2 or higher. See "[V\\$PQ\\_TQSTAT](#)" on page 8-54 for further details.

### Example: Using EXPLAIN PLAN to Show Parallel Operations

The following example illustrates how the optimizer intends to execute a parallel query.

```
explain plan for
SELECT /*+ PARALLEL */ cust_first_name, cust_last_name
FROM customers c, sales s WHERE c.cust_id = s.cust_id;
```

| Id | Operation                   | Name           |
|----|-----------------------------|----------------|
| 0  | SELECT STATEMENT            |                |
| 1  | PX COORDINATOR              |                |
| 2  | PX SEND QC (RANDOM)         | :TQ10000       |
| 3  | NESTED LOOPS                |                |
| 4  | PX BLOCK ITERATOR           |                |
| 5  | TABLE ACCESS FULL           | CUSTOMERS      |
| 6  | PARTITION RANGE ALL         |                |
| 7  | BITMAP CONVERSION TO ROWIDS |                |
| 8  | BITMAP INDEX SINGLE VALUE   | SALES_CUST_BIX |

Note

-----

- Computed Degree of Parallelism is 2
- Degree of Parallelism of 2 is derived from scan of object SH.CUSTOMERS

## Additional Considerations for Parallel DML

When you want to refresh your data warehouse database using parallel insert, update, or delete on a data warehouse, there are additional issues to consider when designing the physical database. These considerations do not affect parallel execution operations. These issues are:

- [Parallel DML and Direct-Path Restrictions](#)
- [Limitation on the Degree of Parallelism](#)
- [Increasing INITRANS](#)
- [Limitation on Available Number of Transaction Free Lists for Segments](#)
- [Using Multiple Archivers](#)
- [Database Writer Process \(DBWn\) Workload](#)
- [\[NO\]LOGGING Clause](#)

### Parallel DML and Direct-Path Restrictions

If a parallel restriction is violated, the operation is simply performed serially. If a direct-path INSERT restriction is violated, then the APPEND hint is ignored and a conventional insert is performed. No error message is returned.

### Limitation on the Degree of Parallelism

For tables that do not have the parallel DML `itl` invariant property (tables created before Oracle Database release 9.2 or tables that were created with the `COMPATIBLE` initialization parameter set to less than 9.2), the degree of parallelism (DOP) equals the number of partitions or subpartitions. That means that, if the table is not partitioned, the query runs in serial. To see what tables do not have this property, issue the following statement:

```
SELECT u.name, o.name FROM obj$ o, tab$ t, user$ u
WHERE o.obj# = t.obj# AND o.owner# = u.user#
AND bitand(t.property,536870912) != 536870912;
```

For information about the interested transaction list (ITL), also called the transaction table, refer to *Oracle Database Concepts*.

### Increasing INITRANS

If you have global indexes, a global index segment and global index blocks are shared by server processes of the same parallel DML statement. Even if the operations are not performed against the same row, the server processes can share the same index blocks. Each server transaction needs one transaction entry in the index block header before it can make changes to a block. Therefore, in the `CREATE INDEX` or `ALTER INDEX` statements, you should set `INITRANS`, the initial number of transactions allocated within each data block, to a large value, such as the maximum DOP against this index.

### Limitation on Available Number of Transaction Free Lists for Segments

There is a limitation on the available number of transaction free lists for segments in dictionary-managed tablespaces. After a segment has been created, the number of process and transaction free lists is fixed and cannot be altered. If you specify a large number of process free lists in the segment header, you might find that this limits the

number of transaction free lists that are available. You can abate this limitation the next time you re-create the segment header by decreasing the number of process free lists; this leaves more room for transaction free lists in the segment header.

For UPDATE and DELETE operations, each server process can require its own transaction free list. The parallel DML DOP is thus effectively limited by the smallest number of transaction free lists available on the table and on any of the global indexes the DML statement must maintain. For example, if the table has 25 transaction free lists and the table has two global indexes, one with 50 transaction free lists and one with 30 transaction free lists, the DOP is limited to 25. If the table had 40 transaction free lists, the DOP would have been limited to 30.

The FREELISTS parameter of the STORAGE clause is used to set the number of process free lists. By default, no process free lists are created.

The default number of transaction free lists depends on the block size. For example, if the number of process free lists is not set explicitly, a 4 KB block has about 80 transaction free lists by default. The minimum number of transaction free lists is 25.

### Using Multiple Archivers

Parallel DDL and parallel DML operations can generate a large amount of redo logs. A single ARCH process to archive these redo logs might not be able to keep up. To avoid this problem, you can spawn multiple archiver processes. This can be done manually or by using a job queue.

### Database Writer Process (DBWn) Workload

Parallel DML operations dirty a large number of data, index, and undo blocks in the buffer cache during a short interval. For example, suppose you see a high number of `free_buffer_waits` after querying the `V$SYSTEM_EVENT` view, as in the following syntax:

```
SELECT TOTAL_WAITS FROM V$SYSTEM_EVENT WHERE EVENT = 'FREE BUFFER WAITS';
```

In this case, you should consider increasing the DBWn processes. If there are no waits for free buffers, the query does not return any rows.

### [NO]LOGGING Clause

The [NO]LOGGING clause applies to tables, partitions, tablespaces, and indexes. Virtually no log is generated for certain operations (such as direct-path INSERT) if the NOLOGGING clause is used. The NOLOGGING attribute is not specified at the INSERT statement level but is instead specified when using the ALTER or CREATE statement for a table, partition, index, or tablespace.

When a table or index has NOLOGGING set, neither parallel nor serial direct-path INSERT operations generate redo logs. Processes running with the NOLOGGING option set run faster because no redo is generated. However, after a NOLOGGING operation against a table, partition, or index, if a media failure occurs before a backup is taken, then all tables, partitions, and indexes that have been modified might be corrupted.

Direct-path INSERT operations (except for dictionary updates) never generate redo logs if the NOLOGGING clause is used. The NOLOGGING attribute does not affect undo, only redo. To be precise, NOLOGGING allows the direct-path INSERT operation to generate a negligible amount of redo (range-invalidation redo, as opposed to full image redo).

For backward compatibility, `[UN]RECOVERABLE` is still supported as an alternate keyword with the `CREATE TABLE` statement. This alternate keyword might not be supported, however, in future releases.

At the tablespace level, the logging clause specifies the default logging attribute for all tables, indexes, and partitions created in the tablespace. When an existing tablespace logging attribute is changed by the `ALTER TABLESPACE` statement, then all tables, indexes, and partitions created after the `ALTER` statement have the new logging attribute; existing ones do not change their logging attributes. The tablespace-level logging attribute can be overridden by the specifications at the table, index, or partition level.

The default logging attribute is `LOGGING`. However, if you have put the database in `NOARCHIVELOG` mode, by issuing `ALTER DATABASE NOARCHIVELOG`, then all operations that can be done without logging do not generate logs, regardless of the specified logging attribute.

## Creating Indexes in Parallel

Multiple processes can work simultaneously to create an index. By dividing the work necessary to create an index among multiple server processes, Oracle Database can create the index more quickly than if a single server process created the index sequentially.

Parallel index creation works in much the same way as a table scan with an `ORDER BY` clause. The table is randomly sampled and a set of index keys is found that equally divides the index into the same number of pieces as the DOP. A first set of query processes scans the table, extracts key-rowid pairs, and sends each pair to a process in a second set of query processes based on key. Each process in the second set sorts the keys and builds an index in the usual fashion. After all index pieces are built, the parallel coordinator simply concatenates the pieces (which are ordered) to form the final index.

Parallel local index creation uses a single server set. Each server process in the set is assigned a table partition to scan and for which to build an index partition. Because half as many server processes are used for a given DOP, parallel local index creation can be run with a higher DOP. However, the DOP is restricted to be less than or equal to the number of index partitions you want to create. To avoid this limitation, you can use the `DBMS_PCLXUTIL` package.

You can optionally specify that no redo and undo logging should occur during index creation. This can significantly improve performance but temporarily renders the index unrecoverable. Recoverability is restored after the new index is backed up. If your application can tolerate a window where recovery of the index requires it to be re-created, then you should consider using the `NOLOGGING` clause.

The `PARALLEL` clause in the `CREATE INDEX` statement is the only way in which you can specify the DOP for creating the index. If the DOP is not specified in the parallel clause of `CREATE INDEX`, then the number of CPUs is used as the DOP. If there is no `PARALLEL` clause, index creation is done serially.

When creating an index in parallel, the `STORAGE` clause refers to the storage of each of the subindexes created by the query server processes. Therefore, an index created with an `INITIAL` of 5 MB and a DOP of 12 consumes at least 60 MB of storage during index creation because each process starts with an extent of 5 MB. When the query coordinator process combines the sorted subindexes, some extents might be trimmed, and the resulting index might be smaller than the requested 60 MB.

When you add or enable a `UNIQUE` or `PRIMARY KEY` constraint on a table, you cannot automatically create the required index in parallel. Instead, manually create an index on the desired columns, using the `CREATE INDEX` statement and an appropriate `PARALLEL` clause, and then add or enable the constraint. Oracle Database then uses the existing index when enabling or adding the constraint.

Multiple constraints on the same table can be enabled concurrently and in parallel if all the constraints are in the `ENABLE NOVALIDATE` state. In the following example, the `ALTER TABLE ... ENABLE CONSTRAINT` statement performs the table scan that checks the constraint in parallel:

```
CREATE TABLE a (a1 NUMBER CONSTRAINT ach CHECK (a1 > 0) ENABLE NOVALIDATE)
PARALLEL;
INSERT INTO a values (1);
COMMIT;
ALTER TABLE a ENABLE CONSTRAINT ach;
```

## Parallel DML Tips

This section provides an overview of parallel DML functionality. The topics covered include:

- [Parallel DML Tip 1: INSERT](#)
- [Parallel DML Tip 2: Direct-Path INSERT](#)
- [Parallel DML Tip 3: Parallelizing INSERT, MERGE, UPDATE, and DELETE](#)

### Parallel DML Tip 1: INSERT

The functionality available using an `INSERT` statement can be summarized as follows:

**Table 8–5 Summary of INSERT Features**

| Insert Type                       | Parallel   | Serial   | NOLOGGING  |
|-----------------------------------|--|--|--|
| Conventional                      | No   | Yes  | No   |
| Direct-path<br>INSERT<br>(APPEND) | Yes, but requires:<br><code>ALTER SESSION ENABLE PARALLEL DML</code><br>Table <code>PARALLEL</code> attribute or <code>PARALLEL</code> hint<br><code>APPEND</code> hint (optional) | Yes, but requires:<br><code>APPEND</code> hint | Yes, but requires:<br><code>NOLOGGING</code> attribute set<br>for partition or table |

If parallel DML is enabled and there is a `PARALLEL` hint or `PARALLEL` attribute set for the table in the data dictionary, then inserts are parallel and appended, unless a restriction applies. If either the `PARALLEL` hint or `PARALLEL` attribute is missing, the insert is performed serially.

### Parallel DML Tip 2: Direct-Path INSERT

The append mode is the default during a parallel insert: data is always inserted into a new block which is allocated to the table. Therefore, the `APPEND` hint is optional. You should use append mode to increase the speed of `INSERT` operations, but not when space utilization must be optimized. You can use `NOAPPEND` to override append mode.

The `APPEND` hint applies to both serial and parallel insert: even serial inserts are faster if you use this hint. `APPEND`, however, does require more space and locking overhead.

You can use `NOLOGGING` with `APPEND` to make the process even faster. `NOLOGGING` means that no redo log is generated for the operation. `NOLOGGING` is never the default; use it when you want to optimize performance. It should not normally be used when recovery is needed for the table or partition. If recovery is needed, be sure to take a

backup immediately after the operation. Use the `ALTER TABLE [NO] LOGGING` statement to set the appropriate value.

### **Parallel DML Tip 3: Parallelizing INSERT, MERGE, UPDATE, and DELETE**

When the table or partition has the `PARALLEL` attribute in the data dictionary, that attribute setting is used to determine parallelism of `INSERT`, `UPDATE`, and `DELETE` statements and queries. An explicit `PARALLEL` hint for a table in a statement overrides the effect of the `PARALLEL` attribute in the data dictionary.

You can use the `NO_PARALLEL` hint to override a `PARALLEL` attribute for the table in the data dictionary. In general, hints take precedence over attributes.

DML operations are considered for parallelization only if the session is in a `PARALLEL DML` enabled mode. (Use `ALTER SESSION ENABLE PARALLEL DML` to enter this mode.) The mode does not affect parallelization of queries or of the query portions of a DML statement.

**Parallelizing INSERT ... SELECT** In the `INSERT ... SELECT` statement you can specify a `PARALLEL` hint after the `INSERT` keyword, in addition to the hint after the `SELECT` keyword. The `PARALLEL` hint after the `INSERT` keyword applies to the `INSERT` operation only, and the `PARALLEL` hint after the `SELECT` keyword applies to the `SELECT` operation only. Thus, parallelism of the `INSERT` and `SELECT` operations are independent of each other. If one operation cannot be performed in parallel, it has no effect on whether the other operation can be performed in parallel.

The ability to parallelize inserts causes a change in existing behavior if the user has explicitly enabled the session for parallel DML and if the table in question has a `PARALLEL` attribute set in the data dictionary entry. In that case, existing `INSERT ... SELECT` statements that have the select operation parallelized can also have their insert operation parallelized.

If you query multiple tables, you can specify multiple `SELECT PARALLEL` hints and multiple `PARALLEL` attributes.

#### **Example 8–8 Parallelizing INSERT ... SELECT**

Add the new employees who were hired after the acquisition of ACME.

```
INSERT /*+ PARALLEL(employees) */ INTO employees
SELECT /*+ PARALLEL(ACME_EMP) */ * FROM ACME_EMP;
```

The `APPEND` keyword is not required in this example because it is implied by the `PARALLEL` hint.

**Parallelizing UPDATE and DELETE** The `PARALLEL` hint (placed immediately after the `UPDATE` or `DELETE` keyword) applies not only to the underlying scan operation, but also to the `UPDATE` or `DELETE` operation. Alternatively, you can specify `UPDATE` or `DELETE` parallelism in the `PARALLEL` clause specified in the definition of the table to be modified.

If you have explicitly enabled parallel DML for the session or transaction, `UPDATE` or `DELETE` statements that have their query operation parallelized can also have their `UPDATE` or `DELETE` operation parallelized. Any subqueries or updatable views in the statement can have their own separate `PARALLEL` hints or clauses, but these parallel directives do not affect the decision to parallelize the update or delete. If these operations cannot be performed in parallel, it has no effect on whether the `UPDATE` or `DELETE` portion can be performed in parallel.

**Example 8–9 Parallelizing UPDATE and DELETE**

Give a 10 percent salary raise to all clerks in Dallas.

```
UPDATE /*+ PARALLEL(employees) */ employees
SET SAL=SAL * 1.1 WHERE JOB='CLERK' AND DEPTNO IN
  (SELECT DEPTNO FROM DEPT WHERE LOCATION='DALLAS');
```

The PARALLEL hint is applied to the UPDATE operation and to the scan.

**Example 8–10 Parallelizing UPDATE and DELETE**

Remove all products in the grocery category because the grocery business line was recently spun off into a separate company.

```
DELETE /*+ PARALLEL(PRODUCTS) */ FROM PRODUCTS
WHERE PRODUCT_CATEGORY = 'GROCERY';
```

Again, the parallelism is applied to the scan and UPDATE operation on table employees.

## Incremental Data Loading in Parallel

Parallel DML combined with the updatable join views facility provides an efficient solution for refreshing the tables of a data warehouse system. To refresh tables is to update them with the differential data generated from the OLTP production system.

In the following example, assume a refresh of a table named `customer` that has columns `c_key`, `c_name`, and `c_addr`. The differential data contains either new rows or rows that have been updated since the last refresh of the data warehouse. In this example, the updated data is shipped from the production system to the data warehouse system by means of ASCII files. These files must be loaded into a temporary table, named `diff_customer`, before starting the refresh process. You can use SQL\*Loader with both the parallel and direct options to efficiently perform this task. You can use the APPEND hint when loading in parallel as well.

After `diff_customer` is loaded, the refresh process can be started. It can be performed in two phases or by merging in parallel, as demonstrated in the following:

- [Updating the Table in Parallel](#)
- [Inserting the New Rows into the Table in Parallel](#)
- [Merging in Parallel](#)

### Updating the Table in Parallel

The following statement is a straightforward SQL implementation of the update using subqueries:

```
UPDATE customers SET(c_name, c_addr) = (SELECT c_name, c_addr
FROM diff_customer WHERE diff_customer.c_key = customer.c_key)
WHERE c_key IN(SELECT c_key FROM diff_customer);
```

Unfortunately, the two subqueries in this statement affect performance.

An alternative is to rewrite this query using updatable join views. To rewrite the query, you must first add a primary key constraint to the `diff_customer` table to ensure that the modified columns map to a key-preserved table:

```
CREATE UNIQUE INDEX diff_pkey_ind ON diff_customer(c_key) PARALLEL NOLOGGING;
ALTER TABLE diff_customer ADD PRIMARY KEY (c_key);
```

You can then update the `customers` table with the following SQL statement:

```
UPDATE /*+ PARALLEL(cust_joinview) */
(SELECT /*+ PARALLEL(customers) PARALLEL(diff_customer) */
CUSTOMER.c_name AS c_name CUSTOMER.c_addr AS c_addr,
diff_customer.c_name AS c_newname, diff_customer.c_addr AS c_newaddr
FROM diff_customer
WHERE customers.c_key = diff_customer.c_key) cust_joinview
SET c_name = c_newname, c_addr = c_newaddr;
```

The base scans feeding the join view `cust_joinview` are done in parallel. You can then parallelize the update to further improve performance, but only if the `customers` table is partitioned.

### Inserting the New Rows into the Table in Parallel

The last phase of the refresh process consists of inserting the new rows from the `diff_customer` temporary table to the `customers` table. Unlike the update case, you cannot avoid having a subquery in the `INSERT` statement:

```
INSERT /*+PARALLEL(customers)*/ INTO customers SELECT * FROM diff_customer s);
```

However, you can guarantee that the subquery is transformed into an anti-hash join by using the `HASH_AJ` hint. Doing so enables you to use parallel `INSERT` to execute the preceding statement efficiently. Parallel `INSERT` is applicable even if the table is not partitioned.

### Merging in Parallel

You can combine updates and inserts into one statement, commonly known as a **merge**. The following statement achieves the same result as all of the statements in ["Updating the Table in Parallel"](#) on page 8-65 and ["Inserting the New Rows into the Table in Parallel"](#) on page 8-66:

```
MERGE INTO customers USING diff_customer
ON (diff_customer.c_key = customer.c_key) WHEN MATCHED THEN
  UPDATE SET (c_name, c_addr) = (SELECT c_name, c_addr
  FROM diff_customer WHERE diff_customer.c_key = customers.c_key)
WHEN NOT MATCHED THEN
  INSERT VALUES (diff_customer.c_key,diff_customer.c_data);
```



---

---

## Backing Up and Recovering VLDBs

Backup and recovery is a crucial and important job for a DBA to protect business data. As the data store grows larger each year, DBAs are continually challenged to ensure that critical data is backed up and that it can be recovered quickly and easily to meet business needs. Very large databases are unique in that they are large and data may come from a myriad of resources. OLTP and data warehouse systems have some distinct characteristics. Generally, the availability considerations for a very large OLTP system are no different from the considerations for a small OLTP system. Assuming a fixed allowed downtime, a large OLTP system requires more hardware resources than a small OLTP system.

This chapter proposes an efficient backup and recovery strategy for very large databases to reduce the overall resources necessary to support backup and recovery by leveraging some special characteristics that differentiate data warehouses from OLTP systems. This chapter contains the following topics:

- [Data Warehousing](#)
- [Oracle Backup and Recovery](#)
- [Data Warehouse Backup and Recovery](#)
- [The Data Warehouse Recovery Methodology](#)
- [Best Practice 1: Use ARCHIVELOG Mode](#)
- [Best Practice 2: Use RMAN](#)
- [Best Practice 3: Use Block Change Tracking](#)
- [Best Practice 4: Use RMAN Multi-Section Backups](#)
- [Best Practice 5: Leverage Read-Only Tablespaces](#)
- [Best Practice 6: Plan for NOLOGGING Operations in Your Backup/Recovery Strategy](#)
- [Best Practice 7: Not All Tablespaces Are Created Equal](#)

### Data Warehousing

A data warehouse is a system which is designed to support analysis and decision-making. In a typical enterprise, hundreds or thousands of users may rely on the data warehouse to provide the information to help them understand their business and make better decisions. Therefore, availability is a key requirement for data warehousing. This chapter discusses one key aspect of data warehousing availability: the recovery of data after a data loss.

Before looking at the backup and recovery techniques in detail, it is important to discuss specific techniques for backup and recovery of a data warehouse. In particular, one legitimate question might be: Should a data warehouse's backup and recovery strategy be just like that of every other database system?

A DBA should initially approach the task of data warehouse backup and recovery by applying the same techniques that are used in OLTP systems: the DBA must decide what information to protect and quickly recover when media recovery is required, prioritizing data according to its importance and the degree to which it changes. However, the issue that commonly arises for data warehouses is that an approach that is efficient and cost-effective for a 100 GB OLTP system may not be viable for a 10 TB data warehouse. The backup and recovery may take 100 times longer or require 100 times more storage.

## Data Warehouse Characteristics

There are four key differences between data warehouses and OLTP systems that have significant impacts on backup and recovery:

1. A data warehouse is typically much larger than an OLTP system. Data warehouses over 10's of terabytes are not uncommon and the largest data warehouses grow to orders of magnitude larger. Thus, scalability is a particularly important consideration for data warehouse backup and recovery.
2. A data warehouse often has lower availability requirements than an OLTP system. While data warehouses are mission critical, there is also a significant cost associated with the ability to recover multiple terabytes in a few hours compared to recovering in a day. Some organizations may determine that in the unlikely event of a failure requiring the recovery of a significant portion of the data warehouse, they may tolerate an outage of a day or more if they can save significant expenditures in backup hardware and storage.
3. A data warehouse is typically updated through a controlled process called the ETL (Extract, Transform, Load) process, unlike in OLTP systems where end-users are modifying data themselves. Because the data modifications are done in a controlled process, the updates to a data warehouse are often known and reproducible from sources other than redo logs.
4. A data warehouse contains historical information, and often, significant portions of the older data in a data warehouse are static. For example, a data warehouse may track five years of historical sales data. While the most recent year of data may still be subject to modifications (due to returns, restatements, and so on), the last four years of data may be entirely static. The advantage of static data is that it does not need to be backed up frequently.

These four characteristics are key considerations when devising a backup and recovery strategy that is optimized for data warehouses.

## Oracle Backup and Recovery

In general, backup and recovery refers to the various strategies and procedures involved in protecting your database against data loss and reconstructing the database after any kind of data loss. A backup is a representative copy of data. This copy can include important parts of a database such as the control file, archived redo logs, and data files. A backup protects data from application error and acts as a safeguard against unexpected data loss, by providing a way to restore original data.

## Physical Database Structures Used in Recovering Data

Before you begin to think seriously about a backup and recovery strategy, the physical data structures relevant for backup and recovery operations must be identified. These components include the files and other structures that constitute an Oracle database store data and safeguard it against possible failures. Three basic components are required for the recovery of an Oracle database:

- Datafiles
- Redo logs
- Control file

### Datafiles

An Oracle database consists of one or more logical storage units called tablespaces. Each tablespace in an Oracle database consists of one or more files called datafiles, which are physical files located on or attached to the host operating system in which Oracle is running.

The data in a database is collectively stored in the datafiles that constitute each tablespace of the database. The simplest Oracle database would have one tablespace, stored in one datafile. Copies of the datafiles of a database are a critical part of any backup strategy. The sheer size of the datafiles is the main challenge from a VLDB backup and recovery perspective.

### Redo Logs

Redo logs record all changes made to a database's datafiles. With a complete set of redo logs and an older copy of a datafile, Oracle can reapply the changes recorded in the redo logs to re-create the database at any point between the backup time and the end of the last redo log. Each time data is changed in an Oracle database, that change is recorded in the online redo log first, before it is applied to the datafiles.

An Oracle database requires at least two online redo log groups. In each group there is at least one online redo log member, an individual redo log file where the changes are recorded. At intervals, Oracle rotates through the online redo log groups, storing changes in the current online redo log while the groups not in use can be copied to an archive location, where they are called archived redo logs (or, collectively, the archived redo log). For high availability reasons, production systems should always use multiple online redo members per group, preferably on different storage systems. Preserving the archived redo log is a major part of your backup strategy, as it contains a record of all updates to datafiles. Backup strategies often involve copying the archived redo logs to disk or tape for longer-term storage.

### Control Files

The control file contains a crucial record of the physical structures of the database and their status. Several types of information stored in the control file are related to backup and recovery:

- Database information required to recover from failures or to perform media recovery
- Database structure information, such as datafile details
- Redo log details
- Archived log records
- A record of past RMAN backups

Oracle's datafile recovery process is in part guided by status information in the control file, such as the database checkpoints, current online redo log file, and the datafile header checkpoints for the datafiles. Loss of the control file makes recovery from a data loss much more difficult. The control file should be backed up regularly, to preserve the latest database structural changes, and to simplify recovery.

## Backup Type

Backups are divided into physical backups and logical backups:

- Physical backups are backups of the physical files used in storing and recovering your database, such as datafiles, control files, and archived redo logs. Ultimately, every physical backup is a copy of files storing database information to some other location, whether on disk or offline storage, such as tape.
- Logical backups contain logical data (for example, tables or stored procedures) extracted from a database with Oracle Data Pump (export/import) utilities. The data is stored in a binary file that can be imported into an Oracle database.

Physical backups are the foundation of any backup and recovery strategy. Logical backups are a useful supplement to physical backups in many circumstances but are not sufficient protection against data loss without physical backups.

Reconstructing the contents of all or part of a database from a backup typically involves two phases: retrieving a copy of the datafile from a backup, and reapplying changes to the file since the backup, from the archived and online redo logs, to bring the database to the desired recovery point in time. To restore a datafile or control file from backup is to retrieve the file from the backup location on tape, disk, or other media, and make it available to the Oracle database. To recover a datafile, is to take a restored copy of the datafile and apply to it the changes recorded in the database's redo logs. To recover a whole database is to perform recovery on each of its datafiles.

## Backup Tools

Oracle provides the following tools to manage backup and recovery of Oracle databases. Each tool gives you a choice of several basic methods for making backups. The methods include:

- Recovery Manager (RMAN)

RMAN reduces the administration work associated with your backup strategy by maintaining an extensive record of metadata about all backups and needed recovery-related files. In restore and recovery operations, RMAN uses this information to eliminate the need for the user to identify needed files. RMAN is performant, supporting file multiplexing and parallel streaming, and verifies blocks for physical and (optionally) logical corruptions, on backup and restore.

Backup activity reports can be generated using `V$BACKUP` views and also through Enterprise Manager.
- Oracle Enterprise Manager

Enterprise Manager is Oracle's management console that uses Recovery Manager for its backup and recovery features. Backup and restore jobs can be intuitively set up and run, with notification of any problems to the user.
- Oracle Data Pump

Data Pump provides high speed, parallel, bulk data and metadata movement of Oracle database contents. This utility makes logical backups by writing data from

an Oracle database to operating system files. This data can later be imported into an Oracle database.

- **User-Managed Backups**

The database is backed up manually by executing commands specific to your operating system.

### **Recovery Manager (RMAN)**

Oracle Recovery Manager (RMAN), a command-line and Enterprise Manager-based tool, is the Oracle-preferred method for efficiently backing up and recovering your Oracle database. RMAN is designed to work intimately with the server, providing block-level corruption detection during backup and restore. RMAN optimizes performance and space consumption during backup with file multiplexing and backup set compression, and integrates with leading tape and storage media products with the supplied Media Management Library (MML) API.

RMAN takes care of all underlying database procedures before and after backup or restore, freeing dependency on operating system and SQL\*Plus scripts. It provides a common interface for backup tasks across different host operating systems, and offers features not available through user-managed methods, such as data file and tablespace-level backup and recovery, parallelization of backup/recovery data streams, incremental backups, automatic back up of the control file on database structural changes, backup retention policy, and detailed history of all backups.

**See Also:** *Oracle Database Backup and Recovery User's Guide* for more information about RMAN

### **Oracle Enterprise Manager**

Although Recovery Manager is commonly used as a command line utility, Oracle Enterprise Manager enables backup and recovery using a GUI. Oracle Enterprise Manager (EM) supports commonly used Backup and Recovery features:

- Backup Configurations to customize and save commonly used configurations for repeated use
- Backup and Recovery wizards to walk the user through the steps of creating a backup script and submitting it as a scheduled job
- Backup Job Library to save commonly used Backup jobs that can be retrieved and applied to multiple targets
- Backup Job Task to submit any RMAN job using a user-defined RMAN script

**Backup Management** Enterprise Manager provides the ability to view and perform maintenance against RMAN backups. You can view the RMAN backups, archive logs, control file backups, and image copies. If you select the link on the RMAN backup, then it displays all files that are located in that backup. Extensive statistics about backup jobs, including average throughput, compression ratio, start/end time, and files composing the backup piece can also be viewed from the console.

### **Oracle Data Pump**

Physical backups can be supplemented by using the Data Pump (export/import) utilities to make logical backups of data. Logical backups store information about the schema objects created for a database. Data Pump loads data and metadata into a set of operating system files that can be imported on the same system or moved to another system and imported there.

The dump file set is made up of one or more disk files that contain table data, database object metadata, and control information. The files are written in a binary format. During an import operation, the Data Pump Import utility uses these files to locate each database object in the dump file set.

### User-Managed Backups

If you do not want to use Recovery Manager, operating system commands can be used, such as the UNIX `dd` or `tar` commands to make backups. To create a user-managed online backup, the database must manually be placed into hot backup mode. Hot backup mode causes additional writes to the online log files, increasing their size.

Backup operations can also be automated by writing scripts. You can make a backup of the entire database immediately, or back up individual tablespaces, datafiles, control files, or archived logs. An entire database backup can be supplemented with backups of individual tablespaces, datafiles, control files, and archived logs.

Operating system commands or third party backup software can perform database backups. Conversely, the third party software must be used to restore the backups of the database.

## Data Warehouse Backup and Recovery

Data warehouse recovery is not any different from an OLTP system. However, a data warehouse may not require all of the data to be recovered from a backup, or for a complete failure, restoration of the entire database before user access can commence. An efficient and fast recovery of a data warehouse begins with a well-planned backup.

The next several sections help you to identify what data should be backed up and guide you to the method and tools that enable you to recover critical data in the shortest amount of time.

### Recovery Time Objective (RTO)

A Recovery Time Objective, or RTO, is the time duration in which you want to be able to recover your data. Your backup and recovery plan should be designed to meet RTOs your company chooses for its data warehouse. For example, you may determine that 5% of the data must be available within 12 hours, 50% of the data must be available after a complete loss of the Oracle database within 2 days, and the remainder of the data be available within 5 days. In this case you have two RTOs. Your total RTO is 7.5 days.

To determine what your RTO should be, you must first identify the impact of the data not being available. To establish an RTO, follow these four steps:

1. **Analyze and Identify:** Understand your recovery readiness, risk areas, and the business costs of unavailable data. In a data warehouse, you should identify critical data that must be recovered in the  $n$  days after an outage.
2. **Design:** Transform the recovery requirements into backup and recovery strategies. This can be accomplished by organizing the data into logical relationships and criticality.
3. **Build and Integrate:** Deploy and integrate the solution into your environment to backup and recover your data. Document the backup and recovery plan.

4. **Manage and Evolve:** Test your recovery plans at regular intervals. Implement change management processes to refine and update the solution as your data, IT infrastructure, and business processes change.

## Recovery Point Objective (RPO)

A Recovery Point Objective, or RPO, is the maximum amount of data that can be lost before causing detrimental harm to the organization. RPO indicates the data loss tolerance of a business process or an organization in general. This data loss is often measured in terms of time, for example, 5 hours or 2 days worth of data loss. A zero RPO means that no committed data should be lost when media loss occurs, while a 24 hour RPO can tolerate a day's worth of data loss.

### More Data Means a Longer Backup Window

The most obvious characteristic of the data warehouse is the size of the database. This can be upwards of 100's of terabytes. Hardware is the limiting factor to a fast backup and recovery. However, today's tape storage continues to evolve to accommodate the amount of data that must be offloaded to tape (for example, advent of Virtual Tape Libraries which use disk internally with the standard tape access interface). RMAN can fully utilize, in parallel, all available tape devices to maximize backup and recovery performance.

Essentially, the time required to back up a large database can be derived from the minimum throughput among: production disk, HBA/network to tape devices, and tape drive streaming specifications \* the number of tape drives. The host CPU can also be a limiting factor to overall backup performance, if RMAN backup encryption or compression is used. Backup and recovery windows can be adjusted to fit any business requirements, given adequate hardware resources.

### Divide and Conquer

In a data warehouse, there may be times when the database is not being fully utilized. While this window of time may be several contiguous hours, it is not enough to backup the entire database. You may want to consider breaking up the database backup over several days. RMAN enables you to specify how long a given backup job is allowed to run. When using `BACKUP . . . DURATION`, you can choose between running the backup to completion as quickly as possible and running it more slowly to minimize the load the backup may impose on your database.

In the following example, RMAN backs up all database files that have not been backed up in the last 7 days first, run for 4 hours, and read the blocks as fast as possible.

```
BACKUP DATABASE NOT BACKED UP SINCE 'sysdate - 7' PARTIAL DURATION 4:00 MINIMIZE
TIME;
```

Each time this RMAN command is run, it backs up the datafiles that have not been backed up in the last seven days first. You do not need to manually specify the tablespaces or datafiles to be backed up each night. Over the course of several days, all of your database files are backed up.

While this is a simplistic approach to database backup, it is easy to implement and provides more flexibility in backing up large amounts of data. Note that during recovery, RMAN may point you to multiple different storage devices to perform the restore. Consequently, your recovery time may be longer.

## The Data Warehouse Recovery Methodology

Devising a backup and recovery strategy can be a daunting task. When you have hundreds of terabytes of data that must be protected and recovered for a failure, the strategy can be very complex. The remainder of this chapter contains several best practices that can be implemented to ease the administration of backup and recovery.

### Best Practice 1: Use ARCHIVELOG Mode

Archived redo logs are crucial for recovery when no data can be lost because they constitute a record of changes to the database. Oracle can be run in either of two modes:

- ARCHIVELOG  
Oracle archives the filled online redo log files before reusing them in the cycle.
- NOARCHIVELOG  
Oracle does not archive the filled online redo log files before reusing them in the cycle.

Running the database in ARCHIVELOG mode has the following benefits:

- The database can be completely recovered from both instance and media failure.
- Backups can be performed while the database is open and available for use.
- Oracle supports multiplexed archive logs to avoid any possible single point of failure on the archive logs.
- More recovery options are available, such as the ability to perform tablespace point-in-time recovery (TSPITR).
- Archived redo logs can be transmitted and applied to the physical standby database, which is an exact replica of the primary database.

Running the database in NOARCHIVELOG mode has the following consequences:

- The database can only be backed up while it is completely closed after a clean shutdown.
- Typically, the only media recovery option is to restore the whole database to the point-in-time in which the full or incremental backups were made, which can result in the loss of recent transactions.

### Is Downtime Acceptable?

Oracle Database backups can be made while the database is open or closed. Planned downtime of the database can be disruptive to operations, especially in global enterprises that support users in multiple time zones, up to 24-hours per day. In these cases, it is important to design a backup plan to minimize database interruptions.

Depending on the business, some enterprises can afford downtime. If the overall business strategy requires little or no downtime, then the backup strategy should implement an online backup. The database needs never to be taken down for a backup. An online backup requires the database to be in ARCHIVELOG mode.

Given the size of a data warehouse (and consequently the amount of time to back up a data warehouse), it is generally not viable to make an offline backup of a data warehouse, which would be necessitated if one were using NOARCHIVELOG mode.



## Best Practice 2: Use RMAN

Many data warehouses, which were developed on earlier releases of Oracle Database, may not have integrated RMAN for backup and recovery. However, just as there is a preponderance of reasons to leverage ARCHIVELOG mode, there is a similarly compelling list of reasons to adopt RMAN. Consider the following:

1. Trouble-free backup and recovery
2. Corrupt block detection
3. Archive log validation and management
4. Block Media Recovery (BMR)
5. Easily integrates with Media Managers
6. Backup and restore optimization
7. Backup and restore validation
8. Downtime free backups
9. Incremental backups
10. Extensive reporting

## Best Practice 3: Use Block Change Tracking

Enabling block change tracking allows incremental backups to be completed faster, by only reading and writing the changed blocks since the last full or incremental backup. For data warehouses, this can be extremely helpful if the database typically undergoes a low to medium percentage of changes.

**See Also:** *Oracle Database Backup and Recovery User's Guide* for more information about block change tracking

## Best Practice 4: Use RMAN Multi-Section Backups

With the advent of big file tablespaces, data warehouses have the opportunity to consolidate a large number of datafiles into fewer, better managed data files. For backing up very large datafiles, RMAN provides multi-section backups as a way to parallelize the backup operation within the file itself, such that sections of a file are backed up in parallel, rather than backing up on a per-file basis.

For example, a one TB data file can be sectioned into ten 100 GB backup pieces, with each section backed up in parallel, rather than the entire one TB file backed up as one file. The overall backup time for large datafiles can be dramatically reduced.

**See Also:** *Oracle Database Backup and Recovery User's Guide* for more information about configuring multi-section backups

## Best Practice 5: Leverage Read-Only Tablespaces

An important issue facing a data warehouse is the sheer size of a typical data warehouse. Even with powerful backup hardware, backups may still take several hours. Thus, one important consideration in improving backup performance is minimizing the amount of data to be backed up. Read-only tablespaces are the simplest mechanism to reduce the amount of data to be backed up in a data warehouse. Even with incremental backups, both backup and recovery are faster if tablespaces are set to read-only.

The advantage of a read-only tablespace is that data must only be backed up one time. If a data warehouse contains five years of historical data and the first four years of data can be made read-only, then theoretically the regular backup of the database would only back up 20% of the data. This can dramatically reduce the amount of time required to back up the data warehouse.

Most data warehouses store their data in tables that have been range-partitioned by time. In a typical data warehouse, data is generally active for a period ranging anywhere from 30 days to one year. During this period, the historical data can still be updated and changed (for example, a retailer may accept returns up to 30 days beyond the date of purchase, so that sales data records could change during this period). However, after data reaches a certain age, it is often known to be static.

By leveraging partitioning, users can make the static portions of their data read-only. Currently, Oracle supports read-only tablespaces rather than read-only partitions or tables. To take advantage of the read-only tablespaces and reduce the backup window, a strategy of storing constant data partitions in a read-only tablespace should be devised. Here are two strategies for implementing a rolling window.

1. Implement a regularly scheduled process to move partitions from a read/write tablespace to a read-only tablespace when the data matures to the point where it is entirely static.
2. Create a series of tablespaces, each containing a small number of partitions and regularly modify one tablespace from read/write to read-only as the data in that tablespace ages.

One consideration is that backing up data is only half the recovery process. If you configure a tape system so that it can backup the read/write portions of a data warehouse in 4 hours, the corollary is that a tape system might take 20 hours to recover the database if a complete recovery is necessary when 80% of the database is read-only.

## Best Practice 6: Plan for NOLOGGING Operations in Your Backup/Recovery Strategy

In general, a high priority for a data warehouse is performance. Not only must the data warehouse provide good query performance for online users, but the data warehouse must also be efficient during the ETL process so that large amounts of data can be loaded in the shortest amount of time.

One common optimization leveraged by data warehouses is to execute bulk-data operations using the NOLOGGING mode. The database operations which support NOLOGGING modes are direct-path loads and inserts, index creation, and table creation. When an operation runs in NOLOGGING mode, data is not written to the redo log (or more precisely, only a small set of metadata is written to the redo log). This mode is widely used within data warehouses and can improve the performance of bulk data operations by up to 50%.

However, the tradeoff is that a NOLOGGING operation cannot be recovered using conventional recovery mechanisms, because the necessary data to support the recovery was never written to the log file. Moreover, subsequent operations to the data upon which a NOLOGGING operation has occurred also cannot be recovered even if those operations were not using NOLOGGING mode. Because of the performance gains provided by NOLOGGING operations, it is generally recommended that data warehouses use NOLOGGING mode in their ETL process.

The presence of NOLOGGING operations must be taken into account when devising the backup and recovery strategy. When a database is relying on NOLOGGING operations, the conventional recovery strategy (of recovering from the latest tape backup and applying the archived log files) is no longer applicable because the log files are not able to recover the NOLOGGING operation.

The first principle to remember is, do not make a backup when a NOLOGGING operation is occurring. Oracle does not currently enforce this rule, so DBAs must schedule the backup jobs and the ETL jobs such that the NOLOGGING operations do not overlap with backup operations.

There are two approaches to backup and recovery in the presence of NOLOGGING operations; ETL or incremental backups. If you are not using NOLOGGING operations in your data warehouse, then you do not have to choose either of the following options: you can recover your data warehouse using archived logs. However, the following options may offer some performance benefits over an archive log-based approach for a recovery. You can also use flashback logs and guaranteed restore points to flashback your database to a previous point in time.

## Extract, Transform, and Load

The extract, transform, and load (ETL) process uses several Oracle features and a combination of methods to load (re-load) data into a data warehouse. These features consist of:

- **Transportable Tablespaces**

Transportable Tablespaces allow users to quickly move a tablespace across Oracle databases. It is the most efficient way to move bulk data between databases. Oracle Database provides the ability to transport tablespaces across platforms. If the source platform and the target platform are of different endianness, then RMAN converts the tablespace being transported to the target format.
- **SQL\*Loader**

SQL\*Loader loads data from external flat files into tables of an Oracle Database. It has a powerful data parsing engine that puts little limitation on the format of the data in the datafile.
- **Data Pump (export/import)**

Oracle Data Pump enables high speed movement of data and metadata from one Oracle database to another. This technology is the basis for Oracle's Data Pump Export and Data Pump Import utilities.
- **External Tables**

External Tables is a complement to existing SQL\*Loader functionality. It enables you to access data in external sources as if it were in a table in the database. External tables can also be used with the Data Pump driver to export data from an Oracle database, using `CREATE TABLE ... AS SELECT * FROM`, and then import data into an Oracle database.

## The Extract, Transform, and Load Strategy

One approach is to take regular database backups and also store the necessary data files to re-create the ETL process for that entire week. In the event where a recovery is necessary, the data warehouse could be recovered from the most recent backup. Then, instead of rolling forward by applying the archived redo logs (as would be done in a conventional recovery scenario), the data warehouse could be rolled forward by

re-running the ETL processes. This paradigm assumes that the ETL processes can be easily replayed, which would typically involve storing a set of extract files for each ETL process.

A sample implementation of this approach is to make a backup of the data warehouse every weekend, and then store the necessary files to support the ETL process each night. At most, seven days of ETL processing must be re-applied to recover a database. The data warehouse administrator can easily project the length of time to recover the data warehouse, based upon the recovery speeds from tape and performance data from previous ETL runs.

Essentially, the data warehouse administrator is gaining better performance in the ETL process with NOLOGGING operations, at a price of slightly more complex and a less automated recovery process. Many data warehouse administrators have found that this is a desirable trade-off.

One downside to this approach is that the burden is on the data warehouse administrator to track all of the relevant changes that have occurred in the data warehouse. This approach does not capture changes that fall outside of the ETL process. For example, in some data warehouses, end-users may create their own tables and data structures. Those changes are lost during a recovery.

This restriction must be conveyed to the end-users. Alternatively, one could also mandate that end-users create all private database objects in a separate tablespace, and during recovery, the DBA could recover this tablespace using conventional recovery while recovering the rest of the database using the approach of replaying the ETL process.

## Incremental Backup

A more automated backup and recovery strategy in the presence of NOLOGGING operations leverages RMAN's incremental backup capability. Incremental backups provide the capability to backup only the changed blocks since the previous backup. Incremental backups of datafiles capture data changes on a block-by-block basis, rather than requiring the backup of all used blocks in a datafile. The resulting backup sets are generally smaller and more efficient than full datafile backups, unless every block in the datafile is change.

When you enable block change tracking, Oracle tracks the physical location of all database changes. RMAN automatically uses the change tracking file to determine which blocks must be read during an incremental backup. The block change tracking file is approximately 1/30000 of the total size of the database.

**See Also:** *Oracle Database Backup and Recovery User's Guide* for more information about block change tracking and how to enable it

## The Incremental Approach

A typical backup and recovery strategy using this approach is to backup the data warehouse every weekend, and then take incremental backups of the data warehouse every night following the completion of the ETL process. Note that incremental backups, like conventional backups, must not be run concurrently with NOLOGGING operations. To recover the data warehouse, the database backup would be restored, and then each night's incremental backups would be re-applied.

Although the NOLOGGING operations were not captured in the archive logs, the data from the NOLOGGING operations is present in the incremental backups. Moreover, unlike the previous approach, this backup and recovery strategy can be completely managed using RMAN.

## Flashback Database and Guaranteed Restore Points

Flashback Database is a fast, continuous point-in-time recovery method to repair widespread logical errors. Flashback Database relies on additional logging, called flashback logs, which are created in the Flash Recovery Area and retained for a user-defined time interval according to the recovery needs. These logs track the original block images when they are updated.

When a Flashback Database operation is executed, just the block images corresponding to the changed data are restored and recovered, versus traditional data file restore where all blocks from the backup must be restored before recovery can start. Flashback logs are created proportionally to redo logs.

For very large and active databases, it may be infeasible to keep all needed flashback logs for continuous point-in-time recovery. However, there may be a requirement to create a specific point-in-time snapshot (for example, right before a nightly batch job) for logical errors during the batch run. For this scenario, guaranteed restore points (GRP) can be created without enabling flashback logging.

When the GRP is created, flashback logs are maintained just to satisfy flashback database to the GRP and no other point in time, thus saving space. For example, a GRP can be created followed by a nologging batch job. As long as there are no previous nologging operations within the last hour of the creation time of the GRP, flashback database to the GRP undoes the nologging batch job. To flash back to a time after the nologging batch job finishes, then create the GRP at least one hour away from the end of the batch job.

Estimating flashback log space for GRP in this scenario depends on how much of the database changes over the number of days you intend to keep GRP. For example, to keep a GRP for 2 days and you expect 100 GB of the database to change, then plan for 100 GB for the flashback logs. Note that the 100 GB refers to the subset of the database changed after the GRP is created and not the frequency of changes.

## Best Practice 7: Not All Tablespaces Are Created Equal

Not all of the tablespaces in a data warehouse are equally significant from a backup and recovery perspective. DBA's can leverage this information to devise more efficient backup and recovery strategies when necessary. The basic granularity of backup and recovery is a tablespace, so different tablespaces can potentially have different backup and recovery strategies.

On the most basic level, temporary tablespaces never need to be backed up (a rule which RMAN enforces). Moreover, in some data warehouses, there may be tablespaces dedicated to scratch space for end-users to store temporary tables and incremental results. These tablespaces are not explicit temporary tablespaces but are essentially functioning as temporary tablespaces. Depending upon the business requirements, these tablespaces may not need to be backed up and restored; instead, for a loss of these tablespaces, the end-users would re-create their own data objects.

In many data warehouses, some data is more important than other data. For example, the sales data in a data warehouse may be crucial and in a recovery situation this data must be online as soon as possible. But, in the same data warehouse, a table storing clickstream data from the corporate Web site may be much less mission-critical. The business may tolerate this data being offline for a few days or may even be able to accommodate the loss of several days of clickstream data if a loss of database files. In this scenario, the tablespaces containing sales data must be backed up often, while the tablespaces containing clickstream data need only to be backed up once every week or two weeks.

While the simplest backup and recovery scenario is to treat every tablespace in the database the same, Oracle provides the flexibility for a DBA to devise a backup and recovery scenario for each tablespace as needed.

---

---

## Storage Management for VLDBs

Storage performance in data warehouse environments often translates into I/O throughput (MB/s). For OLTP systems the number of I/O requests Per Second (IOPS) is a key measure for performance.

This chapter discusses storage management for the database files in a VLDB environment only. Non-database files, including the Oracle Database software, are not discussed because management of those files is no different from a non-VLDB database. Therefore, the focus is on the high availability, performance, and manageability aspects of storage systems for VLDB environments.

This chapter contains the following topics:

- [High Availability](#)
- [Performance](#)
- [Scalability and Manageability](#)
- [Oracle ASM Settings Specific to VLDBs](#)
- [Monitoring Database Storage Using Database Control](#)

---

---

**Note:** Oracle supports the use of database files on raw devices and on file systems, and supports the use of Oracle Automatic Storage Management (Oracle ASM) on top of raw devices or logical volumes. Oracle recommends that Oracle ASM be used whenever possible.

---

---

### High Availability

High availability can be achieved by implementing storage redundancy. In storage terms, these are mirroring techniques. There are three options for mirroring in a database environment:

- Hardware-based mirroring
- Using Oracle ASM for mirroring
- Software-based mirroring not using Oracle ASM

Oracle does not recommend software-based mirroring that is not using Oracle ASM.

This section contains the following topics:

- [Hardware-Based Mirroring](#)
- [Mirroring using Oracle ASM](#)

---

---

**Note:** In a cluster configuration, the software you use must support cluster capabilities. Oracle ASM is a cluster file system for Oracle database files.

---

---

## Hardware-Based Mirroring

Most external storage devices provide support for different RAID (Redundant Array of Inexpensive Disks) levels. The most commonly used high availability hardware RAID levels in VLDB environments are RAID 1 and RAID 5. Though less commonly used in VLDB environments, other high availability RAID levels can also be used.

### RAID 1 Mirroring

RAID 1 is a basic mirroring technique. Every storage block that has been written to storage is stored twice on different physical devices as defined by the RAID setup. RAID 1 provides fault tolerance because if one device fails, then there is another, mirrored, device that can respond to the request for data. The two writes in a RAID 1 setup are generated at the storage level. RAID 1 requires at least two physical disks to be effective.

Storage devices generally provide capabilities to read either the primary or the mirror in case a request comes in, which may result in better performance compared to other RAID configurations designed for high availability. RAID 1 is the simplest hardware high availability implementation but requires double the amount of storage needed to store the data. RAID 1 is often combined with RAID 0 (striping) in RAID 0+1 configurations. In the simplest RAID 0+1 configuration, individual stripes are mirrored across two physical devices.

### RAID 5 Mirroring

RAID 5 requires at least 3 storage devices, but commonly 4 to 6 devices are used in a RAID 5 group. When using RAID 5, for every data block written to a device, parity is calculated and stored on a different device. On reads, the parity is checked. The parity calculation takes place in the storage layer. RAID 5 provides high availability for a device failure because the device's contents can be rebuilt based on the parities stored on other devices.

RAID 5 provides good read performance. Writes may be slowed down by the parity calculation in the storage layer. RAID 5 does not require double the amount of storage but rather a smaller percentage depending on the number of devices in the RAID 5 group. RAID 5 is relatively complex and consequently, not all storage devices support a RAID 5 setup.

## Mirroring using Oracle ASM

Oracle Automatic Storage Management (Oracle ASM) provides software-based mirroring capabilities. Oracle ASM provides support for normal redundancy (mirroring) and high redundancy (triple mirroring). Oracle ASM also supports the use of external redundancy, in which case Oracle ASM does not perform additional mirroring. Oracle ASM normal redundancy can be compared to RAID 1 hardware mirroring.

With Oracle ASM mirroring, the mirror is produced by the database servers. Consequently, writes require more I/O throughput when using Oracle ASM mirroring compared to using hardware-based mirroring. Depending on your configuration and the speed of the hardware RAID controllers, Oracle ASM mirroring or hardware RAID may introduce a bottleneck for data loads.



In Oracle ASM, the definition of failure groups enables redundancy, as Oracle ASM mirrors data across the boundaries of the failure group. For example, in a VLDB environment, you can define one failure group per disk array, in which case Oracle ASM ensures that mirrored data is stored on a different disk array. That way, you could not only survive a failure of a single disk in a disk array, but you could even survive the failure of an entire disk array or failure of all channels to that disk array. Hardware RAID configurations typically do not support this kind of fault tolerance.

Oracle ASM using normal redundancy requires double the amount of disk space needed to store the data. High redundancy requires triple the amount of disk space.

**See Also:** *Oracle Automatic Storage Management Administrator's Guide*

## Performance

To achieve the optimum throughput from storage devices, multiple disks must work in parallel. This can be achieved using a technique called striping, which stores data blocks in equisized slices (stripes) across multiple devices. Striping enables storage configurations for good performance and throughput.

Optimum storage device performance is a trade-off between seek time and accessing consecutive blocks on disk. In a VLDB environment, a 1 MB stripe size provides a good balance for optimal performance and throughput, both for OLTP systems and data warehouse systems. There are three options for striping in a database environment:

- Hardware-based striping
- Software-based striping using Oracle ASM
- Software-based striping not using Oracle ASM

It is possible to use a combination of striping techniques but you must ensure that you physically store stripes on different devices to get the performance advantages out of striping. From a conceptual perspective, software-based striping not using Oracle ASM is very similar to hardware-based striping.

This section contains the following topics:

- [Hardware-Based Striping](#)
- [Striping Using Oracle ASM](#)
- [Information Lifecycle Management](#)
- [Partition Placement](#)
- [Bigfile Tablespaces](#)
- [Oracle Database File System \(DBFS\)](#)

---

---

**Note:** In a cluster configuration, the software you use must support cluster capabilities. Oracle ASM is a cluster file system for Oracle database files.

---

---

### Hardware-Based Striping

Most external storage devices provide striping capabilities. The most commonly used striping techniques to improve storage performance are RAID 0 and RAID 5.

### RAID 0 Striping

RAID 0 requires at least 2 devices to implement. Data blocks written to the devices are split up and alternatively stored across the devices using the stripe size. This technique enables the use of multiple devices and multiple channels to the devices.

RAID 0, despite its RAID name, is not redundant. Loss of a device in a RAID 0 configuration results in data loss, and should always be combined with some redundancy in a mission-critical environment. Database implementations using RAID 0 are often combined with RAID 1, basic mirroring, in RAID 0+1 configurations.

### RAID 5 Striping

RAID 5 configurations spread data across the available devices in the raid group using a hardware-specific stripe size. Consequently, multiple devices and channels are used to read and write data. Due to its more complex parity calculation, not all storage devices support RAID 5 configurations.

## Striping Using Oracle ASM

Oracle Automatic Storage Management (Oracle ASM) always stripes across all devices presented to it as a disk group. A disk group is a logical storage pool in which you create data files. The default Oracle ASM stripe size is 1 MB, which is a good stripe size for a VLDB.

**See Also:** *Oracle Automatic Storage Management Administrator's Guide* for more information about Oracle ASM configuration

Oracle recommends that you use disks with the same performance characteristics in a disk group. All disks in a disk group should also be the same size for optimum data distribution and hence optimum performance and throughput. The disk group should span as many physical spindles as possible to get the best performance. The disk group configuration for a VLDB does not have to be different from the disk group configuration for a non-VLDB.

**See Also:** *Oracle Automatic Storage Management Administrator's Guide* for more details

Oracle ASM can be used on top of previously striped storage devices. If you use such a configuration, then ensure that you do not introduce hot spots by defining disk groups that span logical devices which physically may be using the same resource (disk, controller, or channel to disk) rather than other available resources. Always ensure that Oracle ASM stripes are distributed equally across all physical devices.

## Information Lifecycle Management

In an Information Lifecycle Management environment, you cannot use striping across all devices, because all data would then be distributed across all storage pools. In an ILM environment, different storage pools typically have different performance characteristics. Therefore, tablespaces should not span storage pools, and hence data files for the same tablespace should not be stored in multiple storage pools.

Storage in an ILM environment should be configured to use striping across all devices in a storage pool. If you use Oracle ASM, then separate disk groups for different storage pools should be created. Using this approach, tablespaces do not store data files in different disk groups. Data can be moved online between tablespaces using

partition movement operations for partitioned tables, or using the DBMS\_REDEFINITION package when the tables are not partitioned.

For information about Information Lifecycle Management environment, refer to [Chapter 5, "Using Partitioning for Information Lifecycle Management"](#).

## Partition Placement

Partition placement is not a concern if you stripe across all available devices and distribute the load across all available resources. If you cannot stripe data files across all available devices, then consider partition placement to optimize the use of all available resources (physical disk spindles, disk controllers, and channels to disk).

I/O-intensive queries or DML operations should make optimal use of all available resources. Storing database object partitions in specific tablespaces, each of which uses a different set of hardware resources, enables you to use all resources for operations against a single partitioned database object. Ensure that I/O-intensive operations can use all resources by using an appropriate partitioning technique.

Hash partitioning and hash subpartitioning on a unique or almost unique column or set of columns with the number of hash partitions equal to a power of 2 is the only technique likely to result in an even workload distribution when using partition placement to optimize I/O resource utilization. Other partitioning and subpartitioning techniques may yield similar benefits depending on your application.

## Bigfile Tablespaces

Oracle Database enables the creation of bigfile tablespaces. A bigfile tablespace consists of a single data or temp file which can be up to 128 TB. The use of bigfile tablespaces can significantly reduce the number of data files for your database. Oracle Database 11g introduces parallel RMAN backup and restore on single data files.

**See Also:** *Oracle Database Backup and Recovery User's Guide*

Consequently, there is no disadvantage to using bigfile tablespaces and you may choose to use bigfile tablespaces to significantly reduce the number of data and temp files.

File allocation is a serial process. If you use automatic allocation for your tables and automatically extensible data files, then a large data load can be impacted by the amount of time it takes to extend the file, regardless of whether you use bigfile tablespaces. However, if you preallocate data files and you use multiple data files, then you can spawn multiple processes to add data files concurrently.

## Oracle Database File System (DBFS)

Oracle Database File System (DBFS) leverages the benefits of the database to store files, and the strengths of the database in efficiently managing relational data to implement a standard file system interface for files stored in the database. With this interface, storing files in the database is no longer limited to programs specifically written to use BLOB and CLOB programmatic interfaces. Files in the database can now be transparently accessed using any operating system (OS) program that acts on files.

Oracle Database File System (DBFS) creates a standard file system interface on top of files and directories that are stored in database tables. With DBFS, the server is the Oracle database. Files are stored as Oracle SecureFiles LOBs in a database table. A set of PL/SQL procedures implement the file system access primitives such as create, open, read, write, and list directory. The implementation of the file system in the

database is called the DBFS Content Store. The DBFS Content Store allows each database user to create one or more file systems that can be mounted by clients. Each file system has its own dedicated tables that hold the file system content.

**See Also:** *Oracle Database SecureFiles and Large Objects Developer's Guide* for information about Oracle SecureFiles LOBs, stores, and Oracle Database File System

## Scalability and Manageability

A very important characteristic of a VLDB is its large size. Storage scalability and management is an important factor in a VLDB environment. The large size introduces the following challenges:

- Simple statistics suggest that storage components are more likely to fail because VLDBs use more components.
- A small relative growth in a VLDB may amount to a significant absolute growth, resulting in possibly many devices to be added.
- Despite its size, performance and (often) availability requirements are not different from smaller systems.

The storage configuration you choose should be able to cope with these challenges. Regardless of whether storage is added or removed, deliberately or accidentally, your system should remain in an optimal state from a performance and high availability perspective.

This section contains the following topics:

- [Stripe and Mirror Everything \(SAME\)](#)
- [SAME and Manageability](#)

### Stripe and Mirror Everything (SAME)

The stripe and mirror everything (SAME) methodology has been recommended by Oracle for many years and is an approach to optimize high availability, performance, and manageability. To simplify the configuration further, a fixed stripe size of 1 MB is recommended in the SAME methodology as a good starting point for both OLTP and data warehouse systems. Oracle ASM implements the SAME methodology and adds automation on top of it.

### SAME and Manageability

To achieve maximum performance, the SAME methodology proposes to stripe across as many physical devices as possible. This can be achieved without Oracle ASM, but if the storage configuration changes, for example, by adding or removing devices, then the layout of the database files on the devices should change. Oracle ASM performs this task automatically in the background. In most non-Oracle ASM environments, re-striping is a major task that often involves manual intervention.

In an ILM environment, you apply the SAME methodology to every storage pool.

## Oracle ASM Settings Specific to VLDBs

Configuration of Oracle Automatic Storage Management for VLDBs is not very different from Oracle ASM configuration for non-VLDBs. Certain parameter values, such as the memory allocation to the Oracle ASM instance, may need a higher value.

**See Also:** *Oracle Automatic Storage Management Administrator's Guide* for more details

Oracle Database 11g, introduces Oracle ASM variable allocation units. Large variable allocation units are beneficial for environments that use large sequential I/Os. VLDBs in general, and large data warehouses in particular, are good candidate environments to take advantage of large allocation units. Allocation units can be set between 1 MB and 64 MB in powers of two (that is, 1, 2, 4, 8, 16, 32, and 64). If your workload contains a significant number of queries scanning large tables, then you should use large Oracle ASM allocation units. Use 64 for a very large data warehouse system. Large allocation units also reduce the memory requirements for Oracle ASM and improve the Oracle ASM startup time.

**See Also:** *Oracle Automatic Storage Management Administrator's Guide* for information about how to set up and configure Oracle ASM

## Monitoring Database Storage Using Database Control

The Performance page in Oracle Enterprise Manager (Enterprise Manager) provides I/O performance overviews. This page is useful for monitoring performance and throughput of the storage configuration. The I/O performance data can be accessed through the Performance page in Enterprise Manager. The I/O charts show I/O statistics collected from all database clients and the underlying system hosting the database. The I/O wait time for a database process represents the amount of time that the process could have been doing useful work if a pending I/O had completed. Oracle Database captures the I/O wait times for all important I/O components in a uniform fashion so that every I/O wait by any Oracle process can be deduced from the I/O statistics.

Three graphs display the following I/O performance data:

- Single-block I/O latency: production systems should not show latency of more than ten milliseconds. High latency points to a potential bottleneck in the storage configuration and possibly hot-spots.
- I/O megabytes per second: this metric shows the I/O throughput. I/O throughput is an important measure in data warehouse performance.
- I/O per second: this metric, commonly referred to as IOPS, is key in an OLTP application. Large OLTP applications with many concurrent users see a lot of IOPS.

Other charts are also available depending on your selection for I/O breakdown:

- At the instance level
  - Monitoring I/O by Function
  - Monitoring I/O by Type
  - Monitoring I/O by Consumer Group
- At the host level
  - Total Disk I/O Per Second page appears
  - Longest I/O Service Time

Because the database resides on a set of disks, the performance of the I/O subsystem is very important to database performance. Important disk statistics include the disk I/Os per second and the length of the service times. These statistics show if the disk is

performing optimally or if the disk is being overworked. *Oracle Database 2 Day + Performance Tuning Guide*, Chapter 4 Monitoring Real-Time Database Performance, provides more information about how to monitor disk I/O utilization in the sections headed "Monitoring Instance Activity" and "Monitoring Host Activity".

---

---

# Index

## A

---

ADD PARTITION clause, 4-35  
ADD SUBPARTITION clause, 4-38, 4-39  
adding index partitions, 4-39  
adding partitions  
    composite hash-partitioned tables, 4-37  
    composite list-partitioned tables, 4-38  
    composite range-partitioned tables, 4-39  
    hash-partitioned tables, 4-36  
    interval-partitioned tables, 4-36  
    list-partitioned tables, 4-36  
    partitioned tables, 4-35  
    range-partitioned tables, 4-35  
    reference-partitioned tables, 4-39  
ALTER INDEX statement  
    for maintaining partitioned indexes, 4-31  
    partition attributes, 3-25  
ALTER SESSION statement  
    ENABLE PARALLEL DML clause, 8-32  
    FORCE PARALLEL DDL clause, 8-29, 8-40  
        create or rebuild index, 8-30, 8-41  
        create table as select, 8-30, 8-40  
        move or split partition, 8-30, 8-41  
    FORCE PARALLEL DML clause  
        insert, 8-34, 8-40  
        update and delete, 8-33, 8-40  
ALTER TABLE  
    MODIFY DEFAULT ATTRIBUTES FOR  
        PARTITION clause, 4-55  
ALTER TABLE statement  
    for maintaining partitions, 4-31  
    MODIFY DEFAULT ATTRIBUTES clause, 4-54  
    NOLOGGING clause, 8-64  
APPEND hint, 8-63  
applications  
    decision support system (DSS)  
        parallel SQL, 8-26  
    direct-path INSERT, 8-32  
    parallel DML operations, 8-31  
ARCH processes  
    multiple, 8-61  
asynchronous I/O, 8-52  
Auditing  
    Compliance & Security, 5-24

## B

---

bigfile tablespaces  
    very large databases (VLDBs), 10-5

## C

---

clusters  
    cannot be partitioned, 1-1  
    indexes on  
        cannot be partitioned, 1-1  
COALESCE PARTITION clause, 4-41  
collections  
    XMLType, 2-4, 4-29  
Compliance & Security  
    Auditing, 5-24  
    Current Status, 5-23  
    Digital Signatures and Immutability, 5-23  
    Information Lifecycle Management  
        Assistant, 5-23  
    Privacy & Security, 5-23  
composite hash-partitioned tables  
    adding partitions, 4-37  
composite list-hash partitioning, 2-9  
composite list-list partitioning, 2-9  
composite list-partitioned tables  
    adding partitions, 4-38  
composite list-range partitioning, 2-9  
composite partitioning, 2-8  
    default partition, 4-11  
    interval-hash, 4-17  
    interval-list, 4-18  
    interval-range, 4-18  
    list-hash, 4-14  
    list-list, 4-14  
    list-range, 4-15  
    range-hash, 4-9  
    range-list, 4-10  
    range-range, 4-12  
        subpartition template, modifying, 4-58  
composite range-hash partitioning, 2-8  
composite range-list partitioning, 2-9  
composite range-partitioned tables  
    adding partitions, 4-39  
composite range-range partitioning, 2-8  
compression, 3-26

- compression table, 3-26
  - partitioning, 3-26
- constraints
  - parallel create table, 8-30
- CREATE INDEX statement, 8-62
  - partition attributes, 3-25
  - partitioned indexes, 4-3
  - rules of parallelism, 8-30
- CREATE TABLE AS SELECT statement
  - decision support system, 8-26
  - rules of parallelism and index-organized tables, 8-3, 8-26
- CREATE TABLE statement
  - AS SELECT
    - rules of parallelism, 8-30
    - space fragmentation, 8-28
    - temporary storage space, 8-27
  - creating partitioned tables, 4-2
  - parallelism, 8-26
    - index-organized tables, 8-3
  - parallelism and index-organized tables, 8-26
- Current Status
  - Compliance & Security, 5-23

## D

---

- data
  - integrity of
    - parallel DML restrictions, 8-37
- data compression
  - and partitioning, 6-12, 6-16
- data loading
  - incremental in parallel, 8-65
- data manipulation language
  - parallel DML operations, 8-31
  - transaction model for parallel DML operations, 8-35
- data segment compression
  - bitmap indexes, 3-27
  - partitioning, 3-26
- data warehouse
  - about, 6-1
  - advanced partition pruning, 6-3
  - and partition pruning, 6-3
  - and partitioning, 6-1
  - ARCHIVELOG mode for recovery, 9-8
  - backing up and recovering, 9-1
  - backing up and recovering characteristics, 9-2
  - backing up tables on individual basis, 9-13
  - backup and recovery, 9-6
  - basic partition pruning, 6-3
  - block change tracking for backups, 9-9
  - differences with online transaction processing backups, 9-2
  - extract, transform, and load for backup and recovery, 9-11
  - extract, transform, and load strategy, 9-11
  - flashback database and guaranteed restore points, 9-13
  - incremental backup strategy, 9-12
  - incremental backups, 9-12
  - leverage read-only tablespaces for backups, 9-9
  - manageability with partition exchange load, 6-13
  - NOLOGGING mode for backup and recovery, 9-10
  - partitioned tables, 3-29
  - partitioning for large databases, 6-2
  - partitioning for large tables, 6-2
  - partitioning for scalability, 6-1
  - recovery methodology, 9-8
  - recovery point object (RPO), 9-7
  - recovery time object (RTO), 9-6
  - refreshing table data, 8-31
  - RMAN for backup and recovery, 9-9
  - RMAN multi-section backups, 9-9
- database writer process (DBWn)
  - tuning, 8-61
- databases
  - and partitioning, 1-3
  - scalability, 8-31
- DB\_BLOCK\_SIZE initialization parameter
  - and parallel query, 8-52
- DB\_CACHE\_SIZE initialization parameter
  - and parallel query, 8-52
- DB\_FILE\_MULTIBLOCK\_READ\_COUNT
  - initialization parameter
    - and parallel query, 8-52
- decision support system (DSS)
  - parallel DML operations, 8-31
  - parallel SQL, 8-26, 8-31
  - performance, 8-31
  - scoring tables, 8-32
- DEFAULT keyword
  - list partitioning, 4-6
- default partitions, 4-7
- default subpartition, 4-11
- degree of parallelism, 8-33
  - adaptive parallelism, 8-12
  - automatic, 8-10
  - between query operations, 8-7
  - controlling with initialization parameters, 8-11
  - DOP, 8-3
  - in-memory parallel execution, 8-11
  - manually specifying, 8-9
  - maximum query directive, 8-25
  - parallel execution servers, 8-9
  - PARALLEL\_DEGREE\_POLICY initialization parameter, 8-12
  - specifying a limit for a consumer group, 8-16
- DELETE statement
  - parallel DELETE statement, 8-33
- Digital Signatures and Immutability
  - Compliance & Security, 5-23
- direct-path INSERT
  - restrictions, 8-36
- DISABLE ROW MOVEMENT clause, 4-1
- DISK\_ASYNC\_IO initialization parameter
  - and parallel query, 8-52
- distributed transactions
  - parallel DDL restrictions, 8-3



- parallel DML restrictions, 8-3, 8-38
- DOP
  - degree of parallelism, 8-3
- DROP PARTITION clause, 4-41
- dropping partitioned tables, 4-73
- DSS database
  - partitioning indexes, 3-25

## E

---

- ENABLE ROW MOVEMENT clause, 4-1, 4-3
- equipartitioning
  - examples, 3-21
  - local indexes, 3-20
- Event Scan History
  - Lifecycle Management, 5-22
- EXCHANGE PARTITION clause, 4-45, 4-47, 4-48, 4-49
- EXCHANGE SUBPARTITION clause, 4-47
- EXPLAIN PLAN statement
  - query parallelization, 8-59
- extents
  - parallel DDL statements, 8-28
- extract, transform, and load
  - data warehouse, 9-11

## F

---

- FAST\_START\_PARALLEL\_ROLLBACK initialization
  - parameter, 8-50
- features
  - new, xvii
- FOR PARTITION clause, 4-55
- fragmentation
  - parallel DDL, 8-28
- FREELISTS parameter, 8-61
- full partition-wise joins, 3-11, 6-5
- full table scans
  - parallel execution, 8-2
- functions
  - parallel DML and DDL statements, 8-39
  - parallel execution, 8-38
  - parallel queries, 8-39

## G

---

- global indexes
  - partitioning, 3-22
    - managing partitions, 3-22
    - summary of index types, 3-23
- global partitioned indexes
  - maintenance, 2-13
- granules, 8-20
- groups
  - instance, 8-23

## H

---

- hardware-based mirroring
  - very large databases (VLDBs), 10-2
- hardware-based striping

- very large databases (VLDBs), 10-3
- hash partitioning, 2-7
  - creating tables using, 4-5
  - index-organized tables, 4-28
  - multicolumn partitioning keys, 4-21
- hash-partitioned tables
  - adding partitions, 4-36
- hints
  - APPEND, 8-63
  - NOAPPEND, 8-63
  - PARALLEL, 8-63
  - parallel statement queuing, 8-19
- historical tables
  - moving time window, 4-74

## I

---

- ILM
  - see* Information Lifecycle Management
- implementing an ILM system
  - manually, 5-25
  - using Oracle Database, 5-3
- index partitions
  - adding, 4-39
- indexes
  - cluster
    - cannot be partitioned, 1-1
    - creating in parallel, 8-62
    - global partitioned, 6-11
    - global partitioned indexes, 3-22
      - managing partitions, 3-22
    - local indexes, 3-20
    - local partitioned, 6-10
    - manageability with partitioning, 6-14
    - nonpartitioned, 6-10
    - parallel creation, 8-62
    - parallel DDL storage, 8-28
    - parallel local, 8-62
    - partitioned, 6-9
    - partitioning, 3-25
    - partitions, 1-1, 3-19
    - updating global indexes, 4-34
  - index-organized tables
    - parallel CREATE, 8-3, 8-26
    - parallel queries, 8-24
    - partitioning, 4-1, 4-26
    - partitioning secondary indexes, 4-27
- Information Lifecycle Management
  - about, 5-1
  - and Oracle Database, 5-2
  - and regulatory requirements, 5-2
  - and unstructured data, 5-2
  - Assistant, 5-10
  - benefits of an online archive, 5-9
  - creating data access, 5-7
  - creating migration policies, 5-7
  - creating storage tiers, 5-5
  - defining compliance policies, 5-8
  - defining data classes, 5-3
  - enforcing compliance policies, 5-8

- graphical user interface, 5-10
- implementing a system manually, 5-25
- implementing using Oracle Database, 5-3
- introduction, 5-1
- striping, 10-4
- Information Lifecycle Management (ILM)
  - and partitioning, 1-3
- Information Lifecycle Management Assistant
  - about, 5-10
  - Compliance & Security, 5-23
  - Lifecycle Management, 5-21
  - Lifecycle Setup, 5-11
  - Reports, 5-25
- initialization parameters
  - FAST\_START\_PARALLEL\_ROLLBACK, 8-50
  - MEMORY\_MAX\_TARGET, 8-48
  - MEMORY\_TARGET, 8-48
  - PARALLEL\_EXECUTION\_MESSAGE\_SIZE, 8-49
  - PARALLEL\_FORCE\_LOCAL, 8-43
  - PARALLEL\_MAX\_SERVERS, 8-43
  - PARALLEL\_MIN\_PERCENT, 8-44
  - PARALLEL\_MIN\_SERVERS, 8-20, 8-44
  - PARALLEL\_MIN\_TIME\_THRESHOLD, 8-44
  - PARALLEL\_SERVERS\_TARGET, 8-45
  - SHARED\_POOL\_SIZE, 8-45
  - TIMED\_STATISTICS, 8-54
  - TRANSACTIONS, 8-50
- INSERT statement
  - functionality, 8-63
  - parallelizing INSERT ... SELECT, 8-34
- instance groups
  - for parallel operations, 8-23
  - limiting the number of instances, 8-23
- integrity rules
  - parallel DML restrictions, 8-37
- interval partitioned tables
  - dropping partitions, 4-43
- interval partitioning, 2-9
  - creating tables using, 4-4
  - performance considerations, 3-28
- interval-hash partitioning
  - creating tables using, 4-17
  - subpartitioning template, 4-19
- interval-list partitioning
  - creating tables using, 4-18
  - subpartitioning template, 4-20
- interval-partitioned tables
  - adding partitions, 4-36
- interval-range partitioning
  - creating tables using, 4-18
- I/O
  - asynchronous, 8-52
  - parallel execution, 8-2
- I/O calibration
  - PARALLEL\_DEGREE\_POLICY initialization parameter, 8-13

## J

---

- joins

- full partition-wise, 3-11
- partial partition-wise, 3-16
- partition-wise, 3-11

## L

---

- Lifecycle Events
  - Lifecycle Management, 5-21
- Lifecycle Events Calendar
  - Lifecycle Management, 5-21
- Lifecycle Management
  - Event Scan History, 5-22
  - Information Lifecycle Management Assistant, 5-21
  - Lifecycle Events, 5-21
  - Lifecycle Events Calendar, 5-21
- Lifecycle Setup
  - Information Lifecycle Management Assistant, 5-11
  - Lifecycle Definitions, 5-13
  - Lifecycle Tables, 5-14
  - Logical Storage Tiers, 5-12
  - Preferences, 5-20
- list partitioning, 2-7
  - adding values to value list, 4-56
  - creating tables using, 4-6
  - DEFAULT keyword, 4-6
  - dropping values from value-list, 4-57
- list-hash partitioning
  - creating tables using, 4-14
  - subpartitioning template, 4-19
- list-list partitioning
  - creating tables using, 4-14
  - subpartitioning template, 4-20
- list-partitioned tables
  - adding partitions, 4-36
- list-range partitioning
  - creating tables using, 4-15
- LOB datatypes
  - restrictions on parallel DDL statements, 8-3, 8-26
  - restrictions on parallel DML operations, 8-36
- local indexes, 3-20, 3-23
  - equipartitioning, 3-20
- LOGGING clause, 8-61
- logging mode
  - parallel DDL, 8-3, 8-26, 8-27

## M

---

- material views
  - manageability with partitioning, 6-15
- materialized views
  - and partitioning, 6-12
  - partitioned, 1-1
- maximum query directive
  - degree of parallelism, 8-25
- memory
  - configure at 2 levels, 8-49
- MEMORY\_MAX\_TARGET initialization parameter, 8-48

MEMORY\_TARGET initialization parameter, 8-48  
 MINIMUM EXTENT parameter, 8-28  
 mirroring with Oracle ASM  
   very large databases (VLDBs), 10-2  
 MODIFY DEFAULT ATTRIBUTES clause, 4-55  
   using for partitioned tables, 4-54  
 MODIFY DEFAULT ATTRIBUTES FOR PARTITION  
   clause  
     of ALTER TABLE, 4-55  
 MODIFY PARTITION clause, 4-55, 4-56, 4-59, 4-63  
 MODIFY SUBPARTITION clause, 4-56  
 monitoring  
   parallel processing, 8-53  
 monitoring with Oracle Enterprise Manager  
   very large databases (VLDBs), 10-7  
 MOVE PARTITION clause, 4-55, 4-59  
 MOVE PARTITION statement  
   rules of parallelism, 8-30  
 MOVE SUBPARTITION clause, 4-55, 4-60  
 multiple archiver processes, 8-61

## N

---

NO\_STATEMENT\_QUEUING  
   parallel statement queuing hint, 8-19  
 NOAPPEND hint, 8-63  
 NOARCHIVELOG mode, 8-62  
 NOLOGGING clause, 8-61, 8-62  
   parallel execution  
     , 8-58  
     with APPEND hint, 8-63  
 NOLOGGING mode  
   parallel DDL, 8-3, 8-26, 8-27  
 nonpartitioned indexes, 6-10  
 nonprefixed indexes, 2-12, 3-21, 3-24  
   global partitioned indexes, 3-22

## O

---

object types  
   parallel queries, 8-24  
   restrictions on parallel DDL statements, 8-3, 8-26  
   restrictions on parallel DML operations, 8-36  
   restrictions on parallel queries, 8-25  
 OLTP database  
   batch jobs, 8-32  
   parallel DML operations, 8-31  
   partitioning indexes, 3-25  
 Online Transaction Processing (OLTP)  
   and partitioning, 7-1  
   common partition maintenance operations, 7-6  
   when to partition indexes, 7-3  
 operating system statistics  
   monitoring for parallel processing, 8-57  
 optimization  
   partition pruning  
     indexes, 3-24  
   partitioned indexes, 3-24  
 optimizations  
   parallel SQL, 8-4

Oracle ASM settings  
   very large databases (VLDBs), 10-6  
 Oracle Database File System  
   very large databases (VLDBs), 10-5  
 Oracle Real Application Clusters  
   instance groups, 8-23

## P

---

PARALLEL clause, 8-63, 8-64  
 PARALLEL CREATE INDEX statement, 8-49  
 PARALLEL CREATE TABLE AS SELECT statement  
   resources required, 8-49  
 parallel DDL statements, 8-25  
   extent allocation, 8-28  
   partitioned tables and indexes, 8-26  
   restrictions on LOBs, 8-3, 8-26  
   restrictions on object types, 8-3, 8-25, 8-26  
 parallel delete, 8-33  
 parallel DELETE statement, 8-33  
 parallel DML  
   considerations for parallel execution, 8-60  
 parallel DML and DDL statements  
   functions, 8-39  
 parallel DML operations, 8-31  
   applications, 8-31  
   degree of parallelism, 8-33  
   enabling PARALLEL DML, 8-32  
   recovery, 8-35  
   restrictions, 8-36  
   restrictions on LOB datatypes, 8-36  
   restrictions on object types, 8-25, 8-36  
   restrictions on remote transactions, 8-38  
   transaction model, 8-35  
 parallel execution  
   about, 8-1  
   adaptive parallelism, 8-12  
   and I/O calibration, 8-13  
   bandwidth, 8-2  
   benefits, 8-2  
   considerations for parallel DML, 8-60  
   CPU utilization, 8-2  
   CREATE TABLE AS SELECT statement, 8-58  
   DB\_BLOCK\_SIZE initialization parameter, 8-52  
   DB\_CACHE\_SIZE initialization parameter, 8-52  
   DB\_FILE\_MULTIBLOCK\_READ\_COUNT  
     initialization parameter, 8-52  
   default parameter settings, 8-41  
   DISK\_ASYNC\_IO initialization parameter, 8-52  
   EXPLAIN PLAN statement, 8-59  
   forcing for a session, 8-42  
   full table scans, 8-2  
   functions, 8-38  
   fundamental hardware requirements, 8-2  
   index creation, 8-62  
   initializing parameters, 8-41  
   in-memory, 8-11  
   interoperator parallelism, 8-7  
   intraoperator parallelism, 8-7  
   I/O, 8-2

- I/O parameters, 8-52
- massively parallel systems, 8-2
- NOLOGGING clause, 8-58
- parallel load, 8-39
- parallel propagation, 8-39
- parallel recovery, 8-39
- parallel replication, 8-39
- PARALLEL\_DEGREE\_POLICY initialization
  - parameter, 8-12
- parameters for establishing resource limits, 8-43
- resource parameters, 8-49
- SQL statements, 8-3
- SQL\*Loader, 8-4
- symmetric multiprocessors, 8-2
- TAPE\_ASYNCH\_IO initialization
  - parameter, 8-52
- tuning general parameters, 8-42
- tuning parameters, 8-41
  - when not to use, 8-2
- PARALLEL hint, 8-63
  - UPDATE and DELETE, 8-33
- parallel partition-wise joins
  - performance considerations, 6-9
- parallel processing
  - monitoring operating system statistics, 8-57
  - monitoring session statistics, 8-55
  - monitoring system statistics, 8-56
  - monitoring with GV\$FILESTAT view, 8-53
  - monitoring with performance views, 8-53
- parallel queries, 8-23
  - functions, 8-39
  - index-organized tables, 8-24
  - object types, 8-24
  - restrictions on object types, 8-25
- parallel query
  - parallelism type, 8-23
- parallel server resources
  - limiting for a consumer group, 8-15
- parallel SQL
  - allocating rows to parallel execution servers, 8-5
  - instance groups, 8-23
  - number of parallel execution servers, 8-20
  - optimizer, 8-4
- parallel statement queue
  - about, 8-13
  - and PARALLEL\_DEGREE\_POLICY, 8-13
  - grouping parallel statements, 8-18
  - hints, 8-19
  - limiting parallel server resources, 8-15
  - managing for consumer groups, 8-14
  - managing the order of dequeuing, 8-15
  - managing with resource manager, 8-14
  - NO\_STATEMENT\_QUEUING hint, 8-19
  - sample scenario for managing parallel statements, 8-16
  - setting order of parallel statements, 8-14
  - specifying a DOP limit for a consumer group, 8-16
  - specifying a timeout for a consumer group, 8-16
  - STATEMENT\_QUEUING hint, 8-19
  - using BEGIN\_SQL\_BLOCK to group statements, 8-18
- parallel statement queuing
  - PARALLEL\_DEGREE\_POLICY initialization parameter, 8-12
- parallel update, 8-33
- parallel UPDATE statement, 8-33
- PARALLEL\_DEGREE\_POLICY initialization
  - parameter
    - and I/O calibration, 8-13
    - degree of parallelism, 8-12
  - parallel execution, 8-12
  - parallel statement queuing, 8-12
- PARALLEL\_EXECUTION\_MESSAGE\_SIZE
  - initialization parameter, 8-49
- PARALLEL\_FORCE\_LOCAL initialization
  - parameter, 8-43
- PARALLEL\_MAX\_SERVERS initialization
  - parameter, 8-43
  - and parallel execution, 8-43
- PARALLEL\_MIN\_PERCENT initialization
  - parameter, 8-44
- PARALLEL\_MIN\_SERVERS initialization
  - parameter, 8-20, 8-44
- PARALLEL\_MIN\_TIME\_THRESHOLD initialization
  - parameter, 8-44
- PARALLEL\_SERVERS\_TARGET initialization
  - parameter, 8-45
- parallelism
  - adaptive, 8-12
  - degree, 8-9
  - interoperator, 8-7
  - intraoperator, 8-7
  - other types, 8-23
  - parallel DDL statements, 8-23
  - parallel DML operations, 8-23
  - parallel execution of functions, 8-23
  - parallel queries, 8-23
  - types, 8-23
- parallelization
  - rules for SQL operations, 8-40
- parameters
  - FREELISTS, 8-61
- partial partition-wise joins, 6-7
- PARTITION BY HASH clause, 4-5
- PARTITION BY LIST clause, 4-6
- PARTITION BY RANGE clause, 4-2
  - for composite-partitioned tables, 4-9
- PARTITION BY REFERENCE clause, 4-7
- PARTITION clause
  - for composite-partitioned tables, 4-9
  - for hash partitions, 4-5
  - for list partitions, 4-6
  - for range partitions, 4-2
- partition exchange load
  - and manageability, 6-13
- partition maintenance operations, 7-5, 7-6
  - merging older partitions, 7-6
  - moving older partitions, 7-6
- Online Transaction Processing (OLTP), 7-6

- removing old data, 7-6
- partition pruning, 3-1
  - dynamic, 3-3
  - static, 3-3
- partitioned indexes, 4-1
  - adding partitions, 4-39
  - and Online Transaction Processing (OLTP), 7-3
  - creating local index on composite partitioned table, 4-10
  - creating local index on hash partitioned table, 4-5
  - creating range partitions, 4-3
  - dropping partitions, 4-44
  - maintenance operations, 4-31
  - maintenance operations, table of, 4-32
  - modifying partition default attributes, 4-55
  - modifying real attributes of partitions, 4-56
  - moving partitions, 4-60
  - rebuilding index partitions, 4-62
  - renaming index partitions/subpartitions, 4-64
  - secondary indexes on index-organized tables, 4-27
  - splitting partitions, 4-70
- partitioned tables, 4-1
  - adding partitions, 4-35
  - adding subpartitions, 4-38, 4-39
  - coalescing partitions, 4-40
  - creating hash partitions, 4-5
  - creating interval partitions, 4-4
  - creating interval-hash partitions, 4-17
  - creating interval-list partitions, 4-18
  - creating interval-range partitions, 4-18
  - creating list partitions, 4-6
  - creating list-hash partitions, 4-14
  - creating list-list partitions, 4-14
  - creating list-range partitions, 4-15
  - creating range partitions, 4-2, 4-3
  - creating range-hash partitions, 4-9
  - creating range-list partitions, 4-10
  - creating range-range partitions, 4-12
  - creating reference partitions, 4-7
  - data warehouses, 3-29
  - DISABLE ROW MOVEMENT, 4-1
  - dropping, 4-73
  - dropping partitions, 4-41
  - ENABLE ROW MOVEMENT, 4-1
  - exchanging partitions, 4-44
  - exchanging subpartitions, 4-47, 4-48, 4-49
  - index-organized tables, 4-1, 4-27, 4-28
  - maintenance operations, 4-31
  - maintenance operations with global indexes, 7-6
  - maintenance operations with local indexes, 7-5
  - marking indexes UNUSABLE, 4-36, 4-40, 4-42, 4-44, 4-45, 4-49, 4-55, 4-56, 4-59, 4-64, 4-71
  - merging partitions, 4-49
  - modifying default attributes, 4-54
  - modifying real attributes of partitions, 4-55
  - modifying real attributes of subpartitions, 4-56
  - moving partitions, 4-59
  - moving subpartitions, 4-60
  - multicolumn partitioning keys, 4-21
  - rebuilding index partitions, 4-62
  - redefining partitions online, 4-60
  - renaming partitions, 4-63
  - renaming subpartitions, 4-64
  - splitting partitions, 4-64
  - truncating partitions, 4-71
  - truncating subpartitions, 4-73
  - updating global indexes automatically, 4-34
- partitioned tables with global indexes, 7-6
- partitioned tables with local indexes, 7-5
- partitioning
  - about, 1-1
  - advantages, 1-1
  - and data compression, 6-12, 6-16
  - and data warehouse, 6-1
  - and databases, 1-3
  - and Information Lifecycle Management (ILM), 1-3
  - and materialized views, 6-12
  - and Online Transaction Processing (OLTP), 7-1
  - and very large databases (VLDBs), 1-2
  - composite, 2-8
  - composite list-hash, 2-9
  - composite list-list, 2-9
  - composite list-range, 2-9
  - composite range-hash, 2-8
  - composite range-list, 2-9
  - composite range-range, 2-8
  - creating partitions, 4-1
  - data segment compression, 3-26
    - bitmap indexes, 3-27
  - data warehouse and scalability, 6-1
  - default partition, 4-7
  - default subpartition, 4-11
  - hash, 2-7
  - index-organized tables, 4-1, 4-27, 4-28
  - interval, 2-9
  - interval-hash, 4-17
  - interval-list, 4-18
  - interval-range, 4-18
  - list, 2-7, 4-56, 4-57
  - list-hash, 4-14
  - list-list, 4-14
  - list-range, 4-15
  - maintaining partitions, 4-31
  - manageability with indexes, 6-14
  - manageability with material views, 6-15
  - placement with striping, 10-5
  - range, 2-7
  - range-hash, 4-9
  - range-list, 4-10
  - range-range, 4-12
  - reference, 2-10
  - removing data from tables, 6-15
  - statistics gathering, 6-16
  - subpartition templates, 4-19
  - system, 2-3
  - virtual columns, 2-11
- partitions, 1-1
  - equipartitioning

- examples, 3-21
  - local indexes, 3-20
- global indexes, 3-22, 6-11
- local indexes, 3-20, 6-10
- materialized views, 1-1
- nonprefixed indexes, 2-12, 3-21, 3-24
- on indexes, 6-9
- parallel DDL statements, 8-26
- partition pruning
  - indexes, 3-24
- partitioning indexes, 3-19, 3-25
- physical attributes, 3-25
- prefixed indexes, 3-21
- pruning, 3-1
- rules of parallelism, 8-30

PARTITIONS clause

- for hash partitions, 4-5

partition-wise joins, 3-11

- benefits, 6-5, 6-8
- full, 3-11, 6-5
- parallel execution, 6-9
- partial, 3-16, 6-7

performance

- DSS database, 8-31
- prefixed and nonprefixed indexes, 3-24
- very large databases (VLDBs), 10-3

predicates

- partition pruning
  - indexes, 3-24

prefixed indexes, 3-21, 3-23

PRIMARY KEY constraints, 8-63

Privacy & Security

- Compliance & Security, 5-23

process monitor process (PMON)

- parallel DML process recovery, 8-35

processes

- and memory contention in parallel
  - processing, 8-43

pruning partitions

- about, 3-1
- indexes, 3-24

## Q

---

queries

- ad hoc, 8-26

query parallelization

- EXPLAIN PLAN statement, 8-59

queuing

- parallel statements, 8-13

## R

---

range partitioning, 2-7

- creating tables using, 4-2
- index-organized tables, 4-27
- multicolumn partitioning keys, 4-21
- performance considerations, 3-28

range-hash partitioning

- creating tables using, 4-9

- subpartitioning template, 4-19

range-list partitioning

- creating tables using, 4-10
- subpartitioning template, 4-20

range-partitioned tables

- adding partitions, 4-35

range-range partitioning

- creating tables using, 4-12

REBUILD INDEX PARTITION statement

- rules of parallelism, 8-30

REBUILD INDEX statement

- rules of parallelism, 8-30

REBUILD PARTITION clause, 4-60, 4-63

REBUILD UNUSABLE LOCAL INDEXES clause, 4-63

recovery

- parallel DML operations, 8-35

reference partitioning, 2-10

- creating tables using, 4-7

reference-partitioned tables

- adding partitions, 4-39

RENAME PARTITION clause, 4-63, 4-64

RENAME SUBPARTITION clause, 4-64

replication

- restrictions on parallel DML, 8-36

Reports

- Information Lifecycle Management Assistant, 5-25

resource manager

- managing parallel statement queue, 8-14

resources

- consumption, parameters affecting, 8-48, 8-49
- limiting for users, 8-44
- limits, 8-43
- parallel query usage, 8-49

restrictions

- direct-path INSERT, 8-36
- parallel DDL statements, 8-3, 8-26
- parallel DML operations, 8-36
- remote transactions, 8-38

row movement clause for partitioned tables, 4-1

## S

---

sar UNIX command, 8-57

scalability

- batch jobs, 8-32
- parallel DML operations, 8-31

scalability and manageability

- very large databases (VLDBs), 10-6

scans

- parallel query on full table, 8-2

session statistics

- monitoring for parallel processing, 8-55

sessions

- enabling parallel DML operations, 8-32

SET INTERVAL clause, 4-37

SHARED\_POOL\_SIZE initialization parameter, 8-45

skewing parallel DML workload, 8-22

SORT\_AREA\_SIZE initialization parameter

- and parallel execution, 8-49
- space management
  - MINIMUM EXTENT parameter, 8-28
  - parallel DDL, 8-27
- SPLIT PARTITION clause, 4-35, 4-64
  - rules of parallelism, 8-30
- SQL statements
  - parallel execution, 8-3
  - parallelizing, 8-4
- SQL\*Loader
  - parallel execution, 8-4
- STATEMENT\_QUEUEING
  - parallel statement queuing hint, 8-19
- statistics
  - operating system, 8-57
- storage
  - fragmentation in parallel DDL, 8-28
  - index partitions, 3-25
- STORAGE clause
  - parallel execution, 8-27
- storage management
  - very large databases (VLDBs), 10-1
- STORE IN clause, 4-9
- stripe and mirror everything
  - very large databases (VLDBs), 10-6
- striping
  - Information Lifecycle Management, 10-4
  - partitioning placement, 10-5
- striping with Oracle ASM
  - very large databases (VLDBs), 10-4
- SUBPARTITION BY HASH clause
  - for composite-partitioned tables, 4-9
- SUBPARTITION clause, 4-37, 4-38, 4-39, 4-66
  - for composite-partitioned tables, 4-9
- subpartition templates, 4-19
  - modifying, 4-58
- SUBPARTITIONS clause, 4-37, 4-66
  - for composite-partitioned tables, 4-9
- subqueries
  - in DDL statements, 8-26
- system monitor process (SMON)
  - parallel DML system recovery, 8-36
- system partitioning, 2-3
- system statistics
  - monitoring for parallel processing, 8-56

## T

---

- table queues
  - monitoring parallel processing, 8-54
- tables
  - creating and populating in parallel, 8-58
  - full partition-wise joins, 3-11, 6-5
  - gathering statistics on partitioned, 6-16
  - historical, 8-32
  - index-organized, partitioning, 4-26
  - moving time windows in historical, 4-74
  - parallel creation, 8-26
  - parallel DDL storage, 8-28
  - partial partition-wise joins, 3-16, 6-7

- partitions, 1-1
  - refreshing in data warehouse, 8-31
  - STORAGE clause with parallel execution, 8-27
  - summary, 8-26
- TAPE\_ASYNCH\_IO initialization parameter
  - and parallel query, 8-52
- temporary segments
  - parallel DDL, 8-28
- TIMED\_STATISTICS initialization parameter, 8-54
- transactions
  - distributed
    - parallel DDL restrictions, 8-3
    - parallel DML restrictions, 8-3, 8-38
- TRANSACTIONS initialization parameter, 8-50
- triggers
  - restrictions, 8-38
    - parallel DML, 8-36
- TRUNCATE PARTITION clause, 4-71, 4-72
- TRUNCATE SUBPARTITION clause, 4-73
- two-phase commit, 8-50
- types of parallelism, 8-23

## U

---

- unique constraints, 8-63
- UPDATE GLOBAL INDEX clause
  - of ALTER TABLE, 4-34
- UPDATE statement
  - parallel UPDATE statement, 8-33
- user resources
  - limiting, 8-44

## V

---

- V\$PQ\_SESSTAT view
  - monitoring parallel processing, 8-54
- V\$PQ\_TQSTAT view
  - monitoring parallel processing, 8-54
- V\$PX\_BUFFER\_ADVICE view
  - monitoring parallel processing, 8-53
- V\$PX\_PROCESS view
  - monitoring parallel processing, 8-53
- V\$PX\_PROCESS\_SYSSTAT view
  - monitoring parallel processing, 8-53
- V\$PX\_SESSION view
  - monitoring parallel processing, 8-53
- V\$PX\_SESSTAT view
  - monitoring parallel processing, 8-53
- V\$RSRC\_CONS\_GROUP\_HISTORY view
  - monitoring parallel processing, 8-55
- V\$RSRC\_CONSUMER\_GROUP view
  - monitoring parallel processing, 8-55
- V\$RSRC\_PLAN view
  - monitoring parallel processing, 8-55
- V\$RSRC\_PLAN\_HISTORY view
  - monitoring parallel processing, 8-55
- V\$RSRC\_SESSION\_INFO view
  - monitoring parallel processing, 8-55
- V\$SESSTAT view, 8-57
- V\$SYSSTAT view, 8-61

- very large databases (VLDBs)
  - and partitioning, 1-2
  - backing up and recovering, 9-1
  - backup tools, 9-4
  - backup types, 9-4
  - bigfile tablespaces, 10-5
  - database structures for recovering data, 9-3
  - hardware-based mirroring, 10-2
  - hardware-based striping, 10-3
  - high availability, 10-1
  - mirroring with Oracle ASM, 10-2
  - monitoring with Oracle Enterprise Manager, 10-7
  - Oracle ASM settings, 10-6
  - Oracle Backup and Recovery, 9-2
  - Oracle Database File System, 10-5
  - performance, 10-3
  - physical and logical backups, 9-4
  - scalability and manageability, 10-6
  - storage management, 10-1
  - stripe and mirror everything, 10-6
  - striping with Oracle ASM, 10-4
- views
  - parallel processing monitoring, 8-53
  - V\$SESSTAT, 8-57
  - V\$SYSSTAT, 8-61
- virtual column-based partitioning, 2-11
- vmstat UNIX command, 8-57

## **W**

---

- workloads
  - skewing, 8-22

## **X**

---

- XMLType collections
  - partitioning, 4-29
- XMLType objects, 2-4